



US00D877440S

(12) **United States Design Patent** (10) **Patent No.:** **US D877,440 S**  
**DeGuzman** (45) **Date of Patent:** **\*\* Mar. 3, 2020**

(54) **HEADGEAR SUPPORT DEVICE**  
(71) Applicant: **Rex DeGuzman**, Conroe, TX (US)  
(72) Inventor: **Rex DeGuzman**, Conroe, TX (US)  
(\*\*) Term: **15 Years**  
(21) Appl. No.: **29/658,160**  
(22) Filed: **Jul. 28, 2018**  
(51) **LOC (12) Cl.** ..... **07-05**  
(52) **U.S. Cl.**  
USPC ..... **D32/59; D14/432**  
(58) **Field of Classification Search**  
USPC ..... **D32/59; D6/411, 315; D2/892, 181.4,**  
**D2/891; 2/181, 171.3, 175.1, 209.12,**  
**2/195.5; 34/87, 213, 201**  
See application file for complete search history.

7,966,673 B1 \* 6/2011 Gibson ..... A42B 1/08  
2/410  
7,974,432 B1 \* 7/2011 Ryan ..... A42B 1/245  
2/195.1  
D657,104 S \* 4/2012 Levin ..... D32/59  
D660,555 S \* 5/2012 Stoltz ..... D2/892  
8,205,272 B2 \* 6/2012 Green ..... A42C 5/02  
2/209.13  
D689,671 S \* 9/2013 Porti ..... D2/891  
D696,498 S \* 12/2013 Padgett ..... D2/891  
D770,147 S \* 11/2016 Byrd ..... D2/891  
2015/0335085 A1 \* 11/2015 Williams ..... A42B 1/002  
2/195.5

\* cited by examiner

Primary Examiner — Austin Murphy

(74) Attorney, Agent, or Firm — Karen B. Tripp

(57) **CLAIM**

The ornamental design for a headgear support device, as shown.

(56) **References Cited**

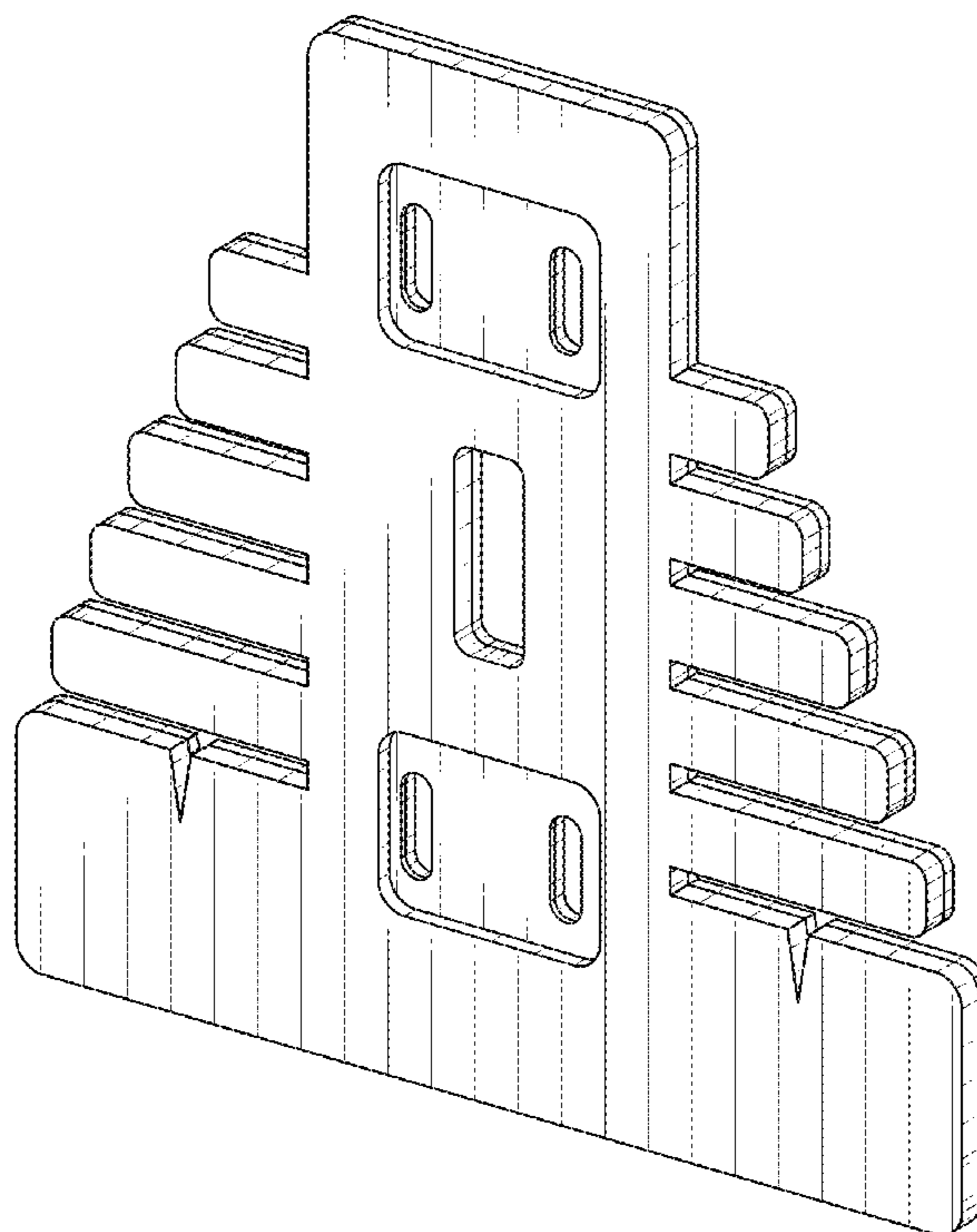
**U.S. PATENT DOCUMENTS**

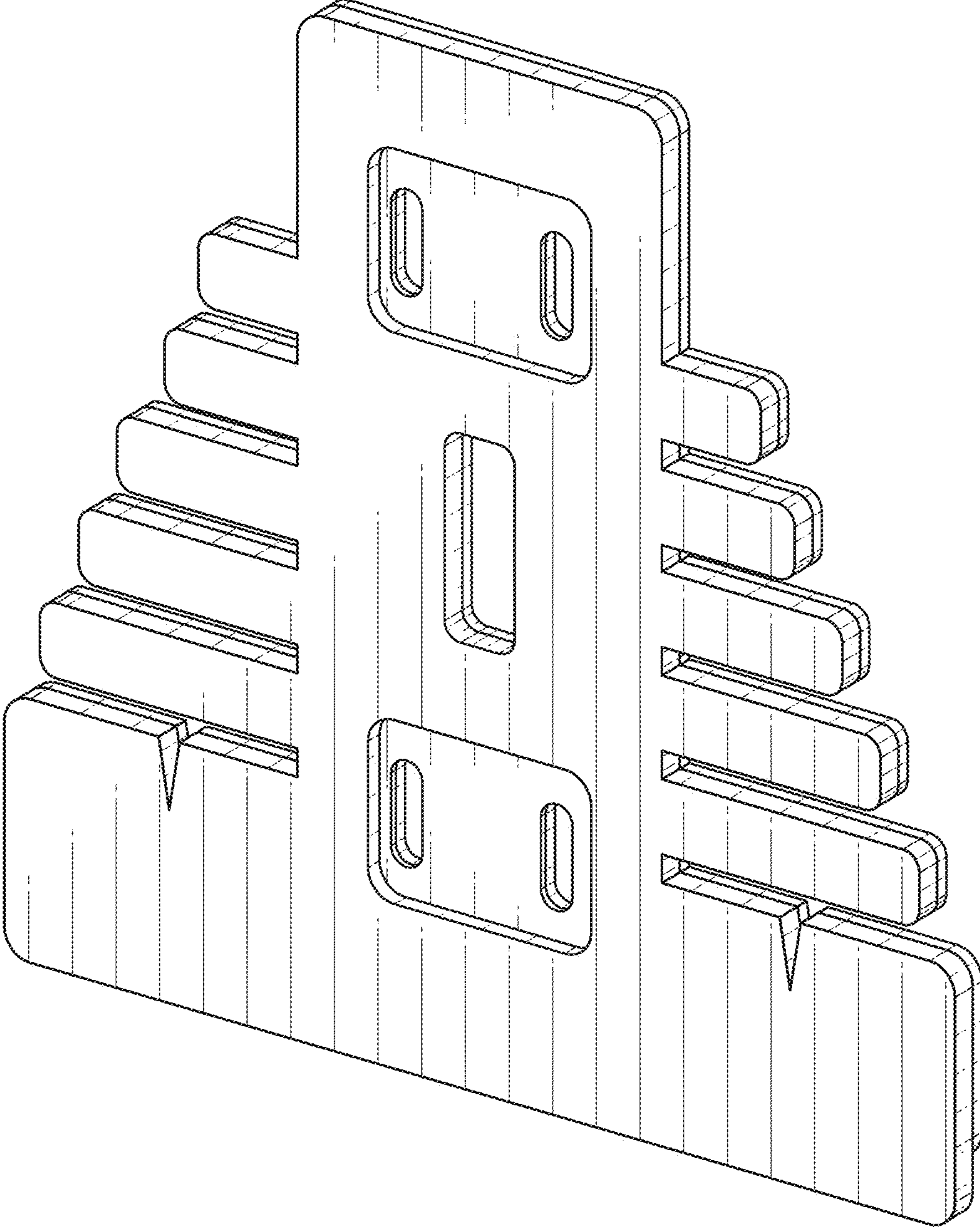
1,392,409 A \* 10/1921 Fullenwider ..... A42B 1/24  
131/257  
2,740,567 A \* 4/1956 Kaufman ..... A42B 1/002  
223/84  
5,481,760 A \* 1/1996 Wood, Jr. .... A42B 1/061  
2/181.4  
5,548,846 A \* 8/1996 Bianchetti ..... A42B 1/064  
2/10  
5,724,678 A \* 3/1998 McCallum ..... A42B 1/241  
2/209.13  
D621,099 S \* 8/2010 Johnson ..... D29/122  
D640,422 S \* 6/2011 Green ..... D29/122  
7,958,570 B1 \* 6/2011 Mooney ..... A42B 1/069  
2/195.5

**DESCRIPTION**

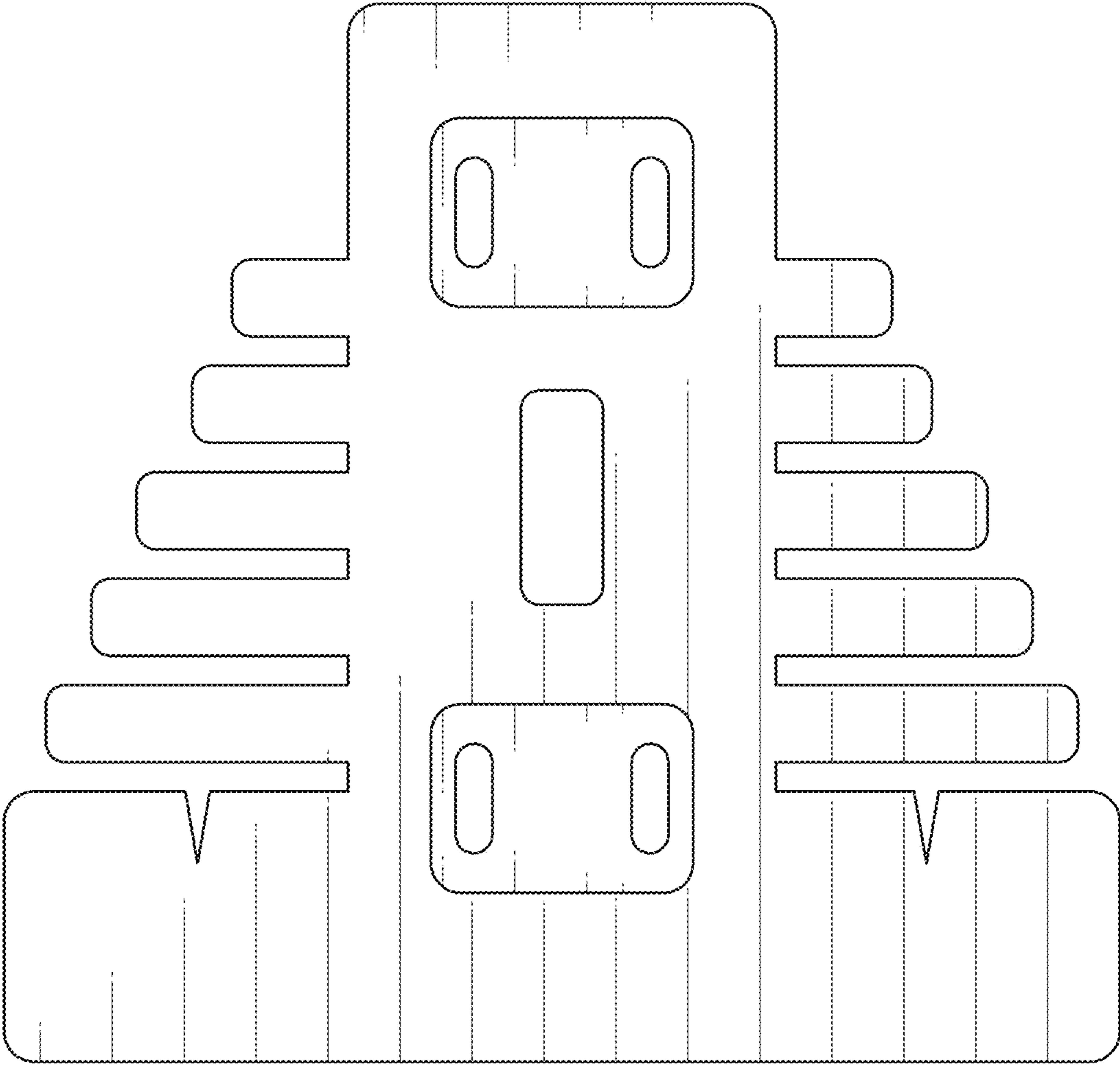
FIG. 1 is a front perspective view of a support device showing my new design;  
FIG. 2 is a front view thereof;  
FIG. 3 is a back view thereof;  
FIG. 4 is a left side view thereof;  
FIG. 5 is a right side view thereof;  
FIG. 6 is a top view thereof;  
FIG. 7 is a bottom view thereof; and,  
FIG. 8 is another perspective view thereof.  
The headgear shown in broken lines is for illustrative purposes only and forms no part of the claimed design.

**1 Claim, 6 Drawing Sheets**

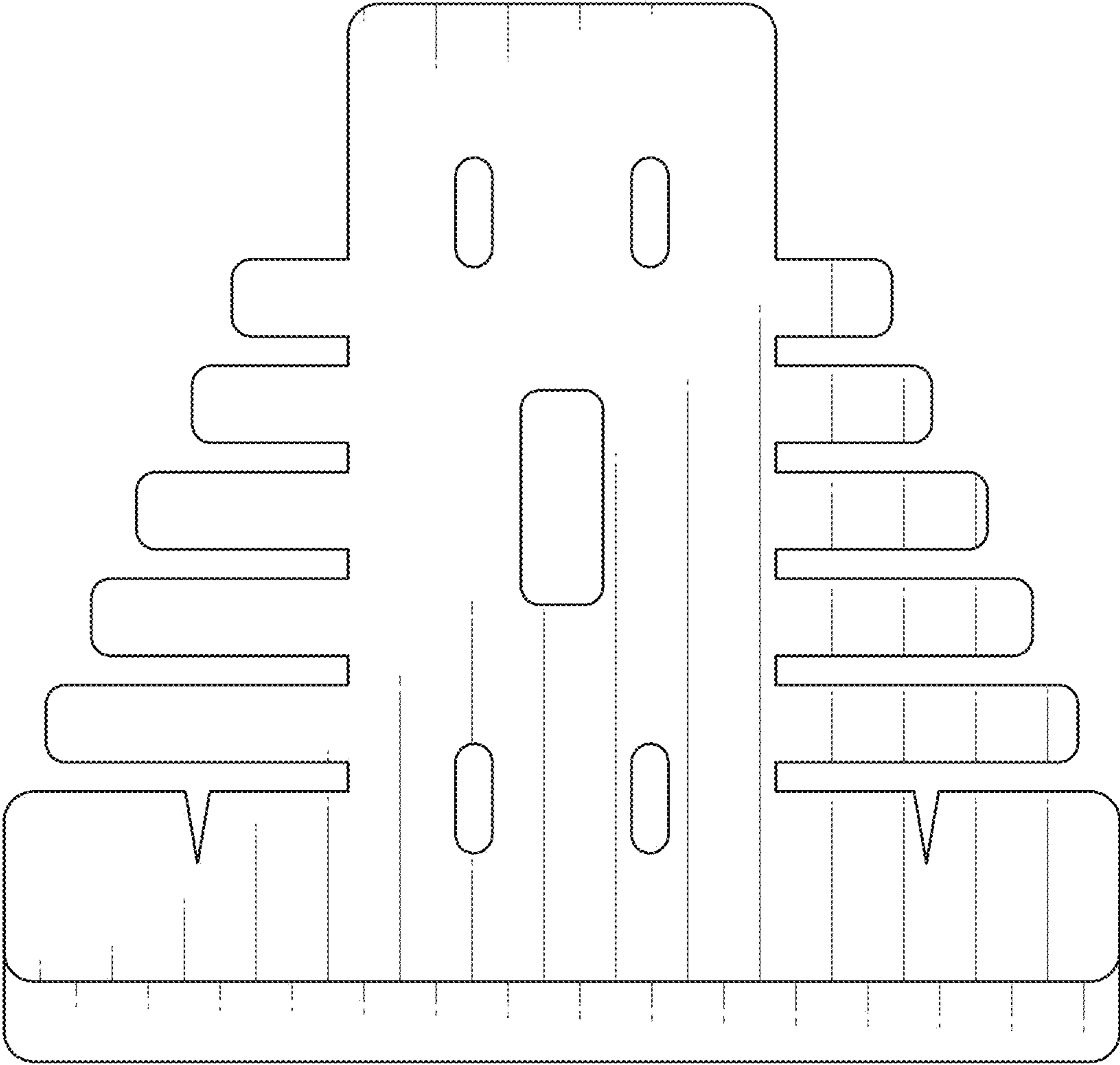




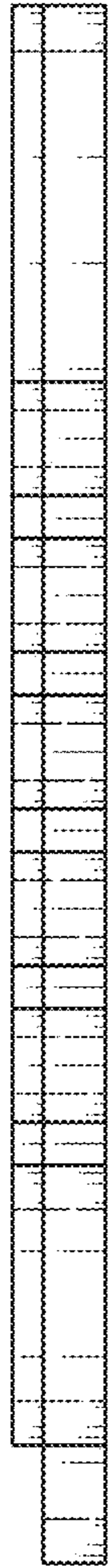
*FIG. 1*



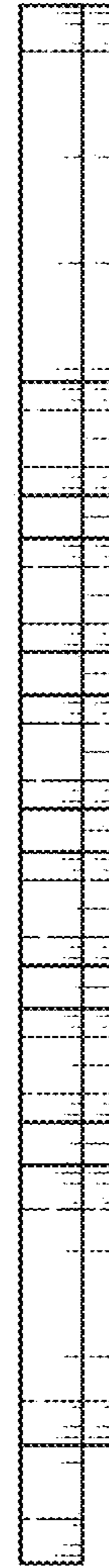
*FIG. 2*



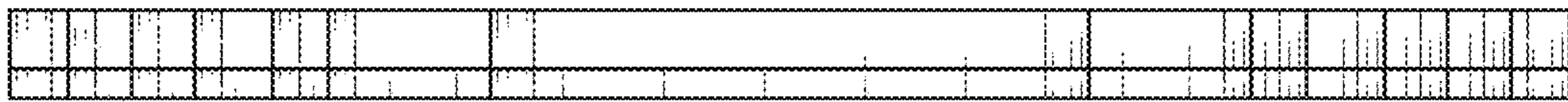
*FIG. 3*



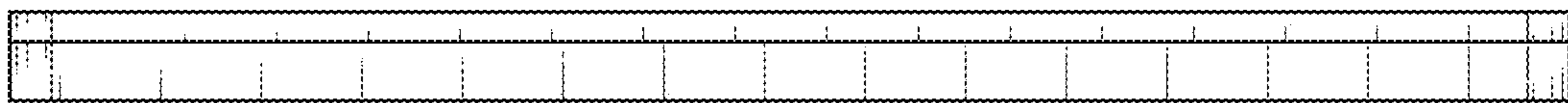
*FIG. 4*



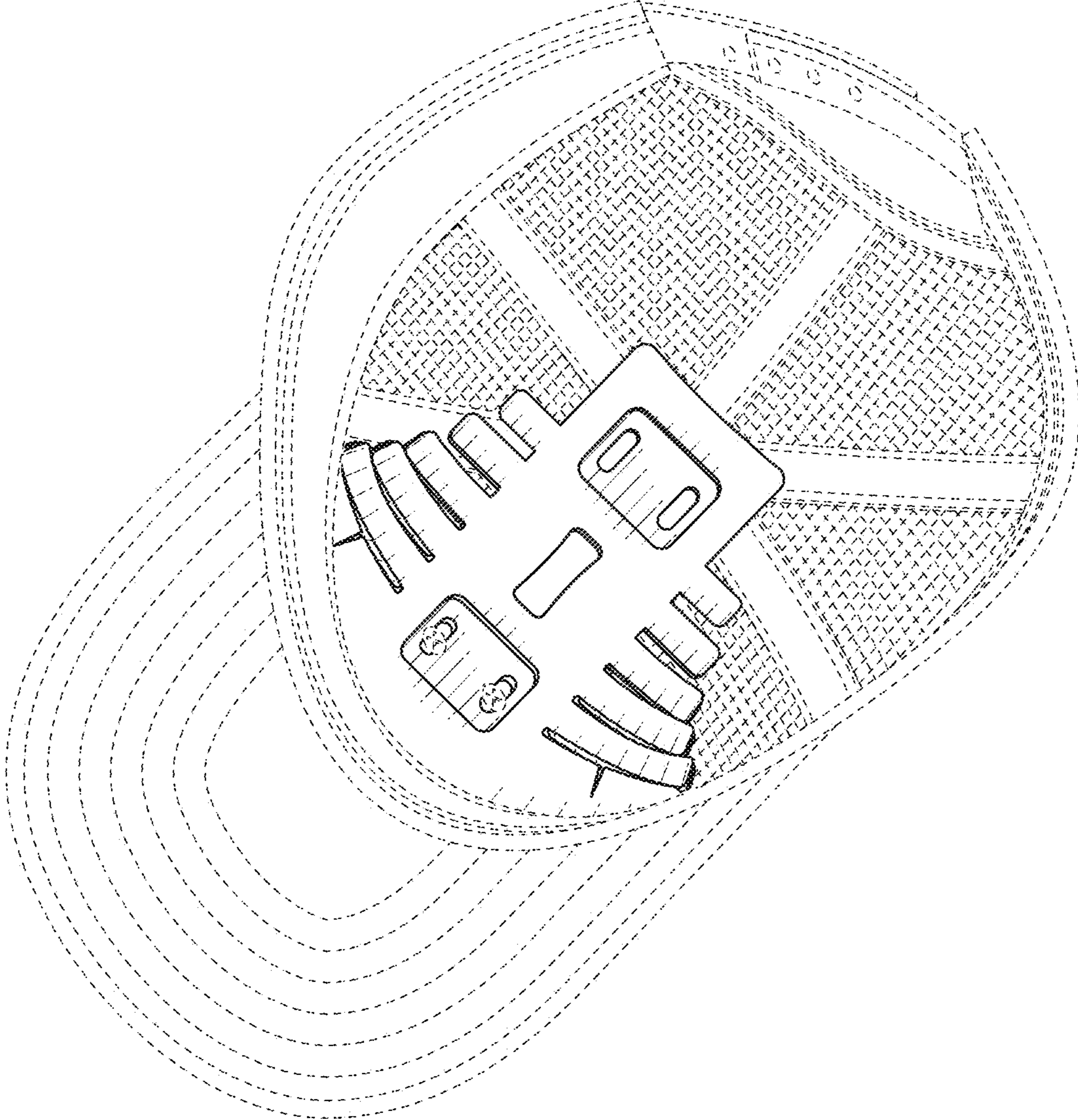
*FIG. 5*



*FIG. 6*



*FIG. 7*



**FIG. 8**