



US00D877439S

(12) **United States Design Patent**
Stevens

(10) **Patent No.:** **US D877,439 S**
(45) **Date of Patent:** **** Mar. 3, 2020**

(54) **SINK CADDY**

(71) Applicant: **DV International Inc.**, St. Paul, MN (US)

(72) Inventor: **Hallie L. Stevens**, St. Paul, MN (US)

(73) Assignee: **DV International Inc.**, St. Paul, MN (US)

(**) Term: **15 Years**

(21) Appl. No.: **29/653,735**

(22) Filed: **Jun. 18, 2018**

(51) **LOC (12) Cl.** **07-05**

(52) **U.S. Cl.**
USPC **D32/55**

(58) **Field of Classification Search**
USPC D32/585, 276, 3; D6/510, 525;
D30/133; 211/41.5, 41.4, 41.3, 41.8;
312/311, 333, 334.4; D7/354, 629
CPC .. A47L 15/505; A47L 15/503; A47L 15/0013;
A47L 19/02; A47L 19/04; A47J 47/20
See application file for complete search history.

(56) **References Cited**

U.S. PATENT DOCUMENTS

D718,510 S * 11/2014 Goodman D32/55
D723,760 S * 3/2015 Goodman D32/55

D759,928 S * 6/2016 Goodman D32/55
D803,501 S * 11/2017 Goodman D32/55
D808,605 S * 1/2018 Yuan D32/55
D811,676 S * 2/2018 Goodman D32/55
D811,677 S * 2/2018 Goodman D32/55
D811,678 S * 2/2018 Goodman D32/55
D811,679 S * 2/2018 Goodman D32/55
D813,484 S * 3/2018 Goodman D32/55
D826,502 S * 8/2018 Goodman D32/55
D832,614 S * 11/2018 Jun D6/566

* cited by examiner

Primary Examiner — Austin Murphy

(74) *Attorney, Agent, or Firm* — Pauly, DeVries Smith & Deffner LLC

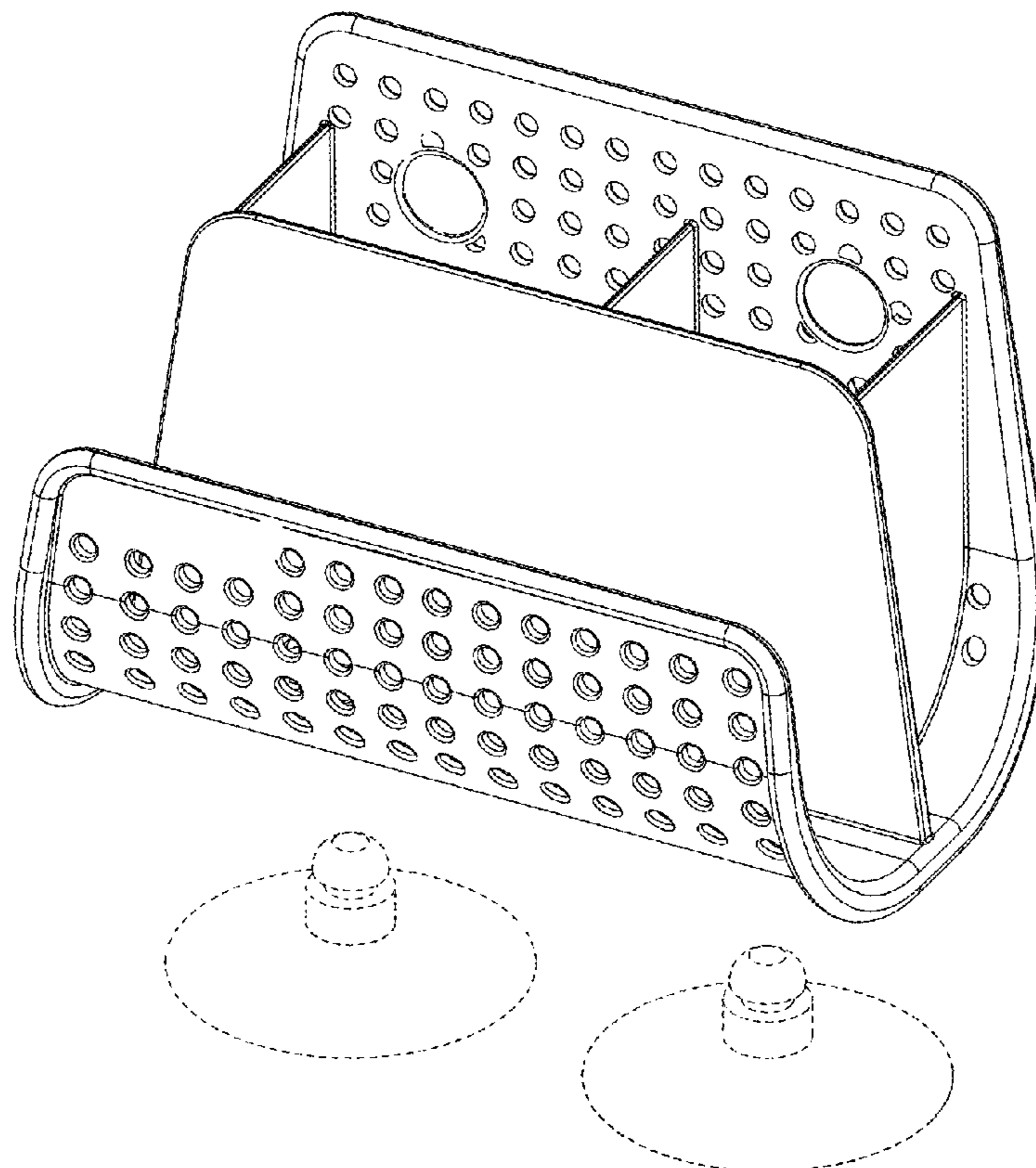
(57) **CLAIM**

The ornamental design for a sink caddy, as shown and described.

DESCRIPTION

FIG. 1 is a perspective view of the sink caddy.
FIG. 2 is a front elevational view of the sink caddy.
FIG. 3 is a rear elevational view of the sink caddy.
FIG. 4 is a right side elevational view of the sink caddy.
FIG. 5 is a left side elevational view of the sink caddy.
FIG. 6 is a top plan view of the sink caddy; and,
FIG. 7 is a bottom plan view of the sink caddy.
The broken lines in the drawings illustrate portions of the sink caddy that form no part of the claim.

1 Claim, 4 Drawing Sheets



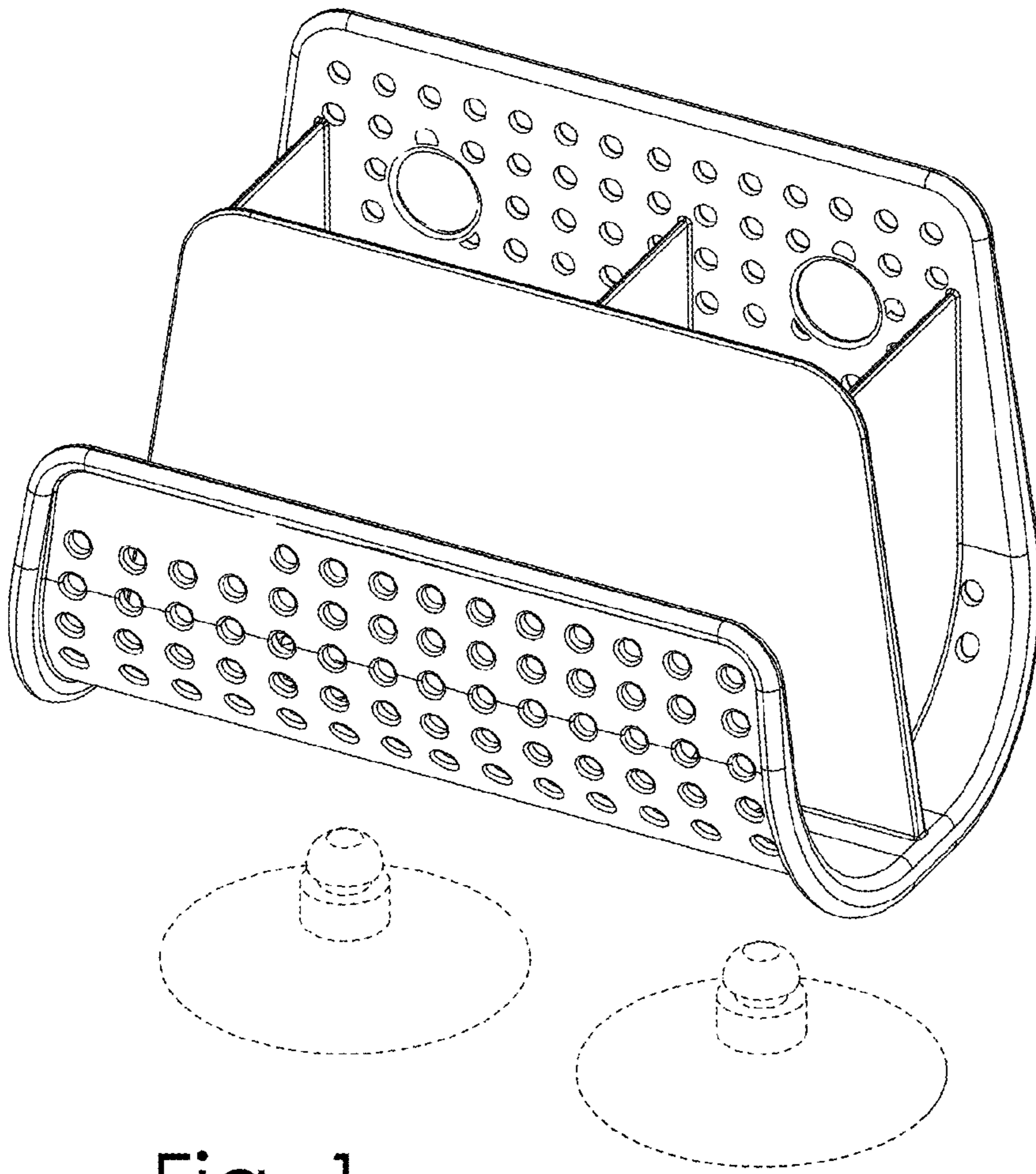


Fig. 1

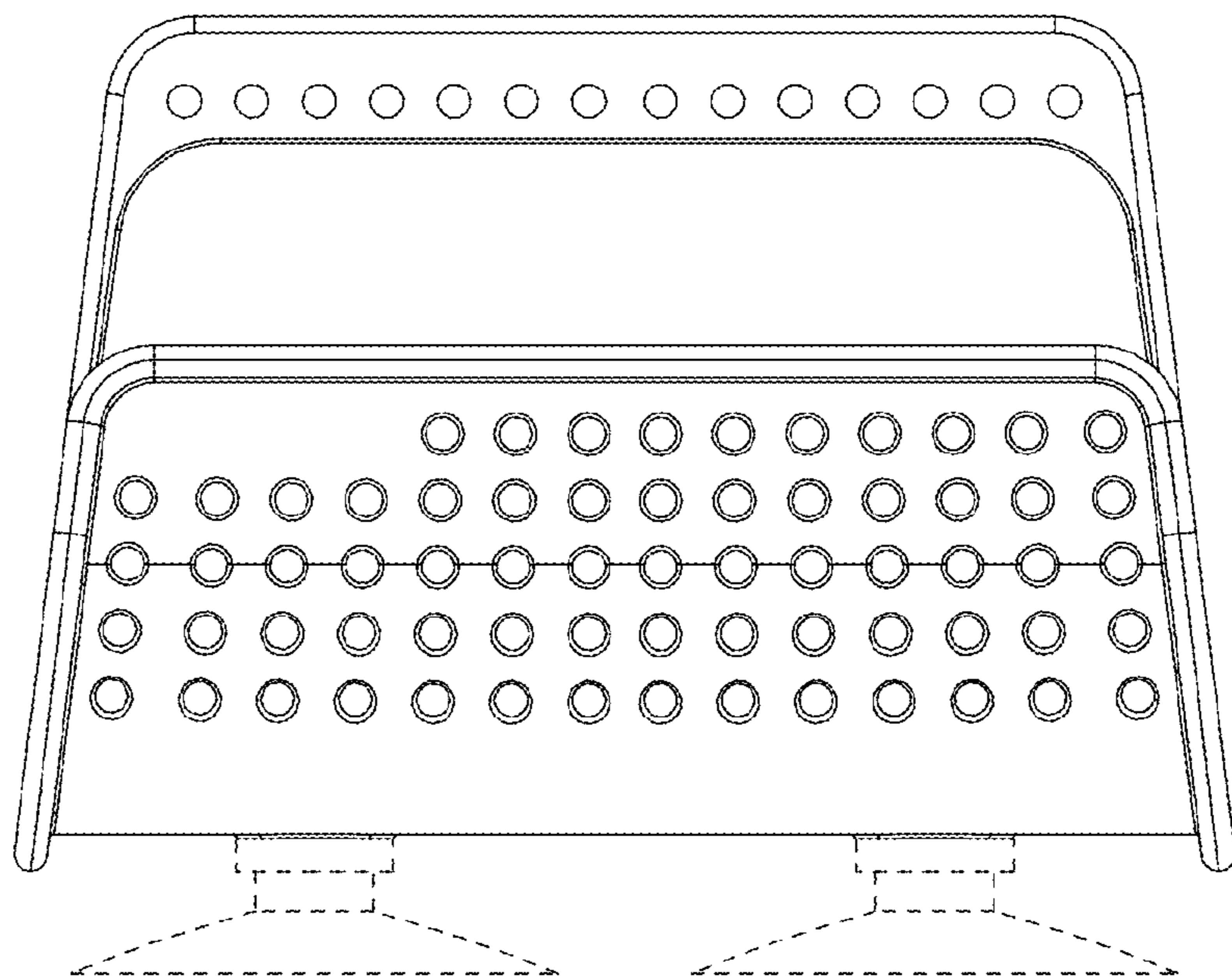


Fig. 2

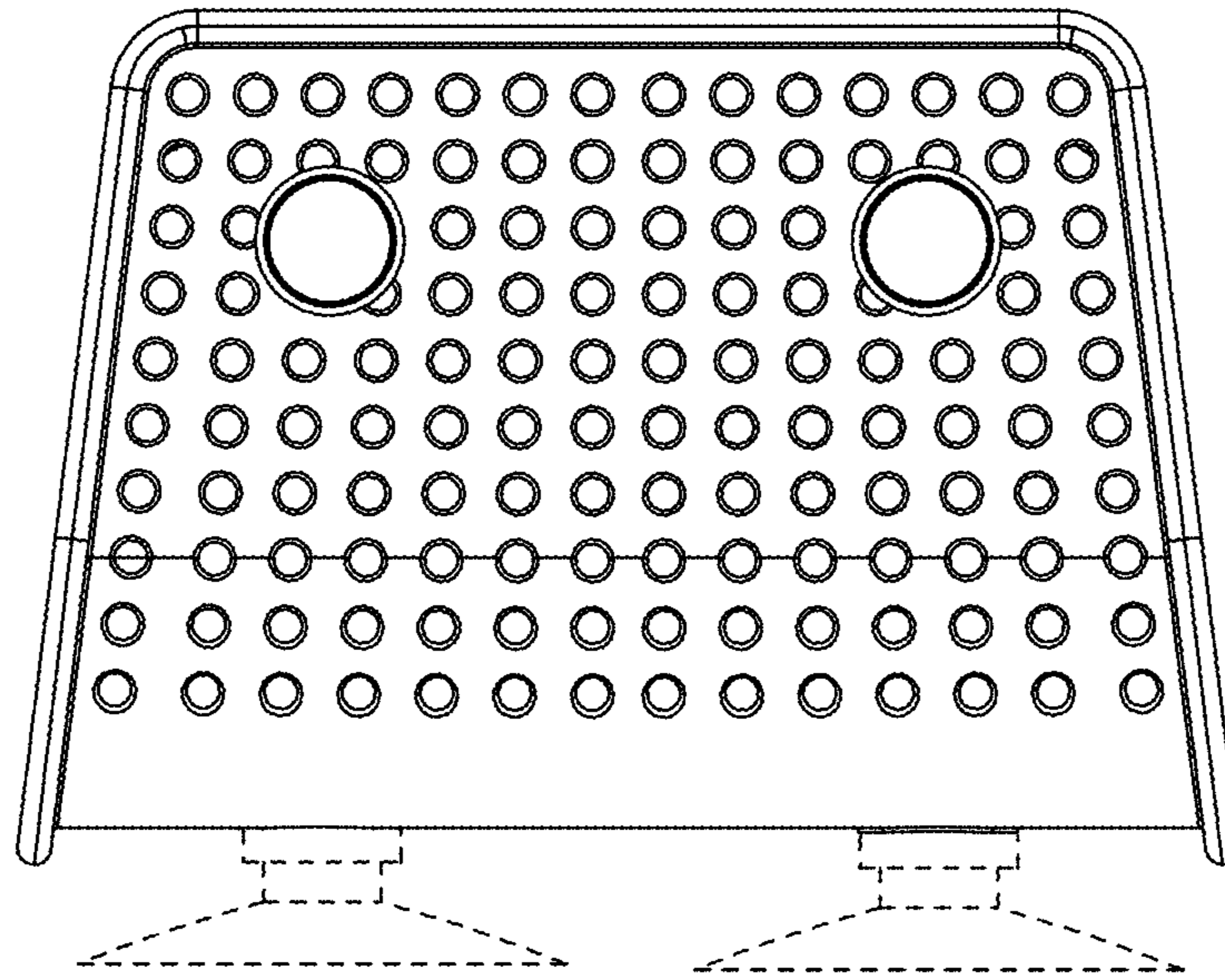


Fig. 3

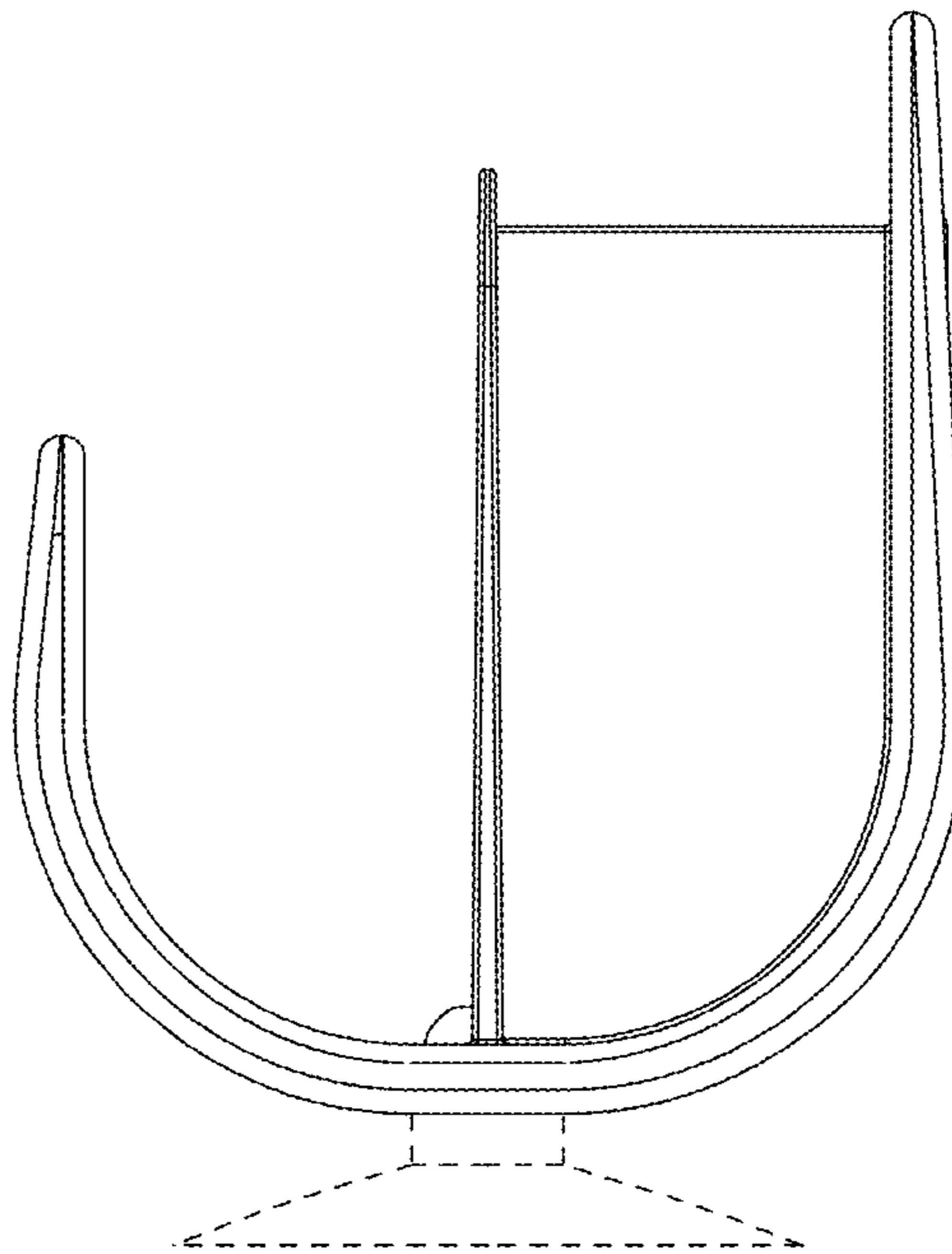


Fig. 4

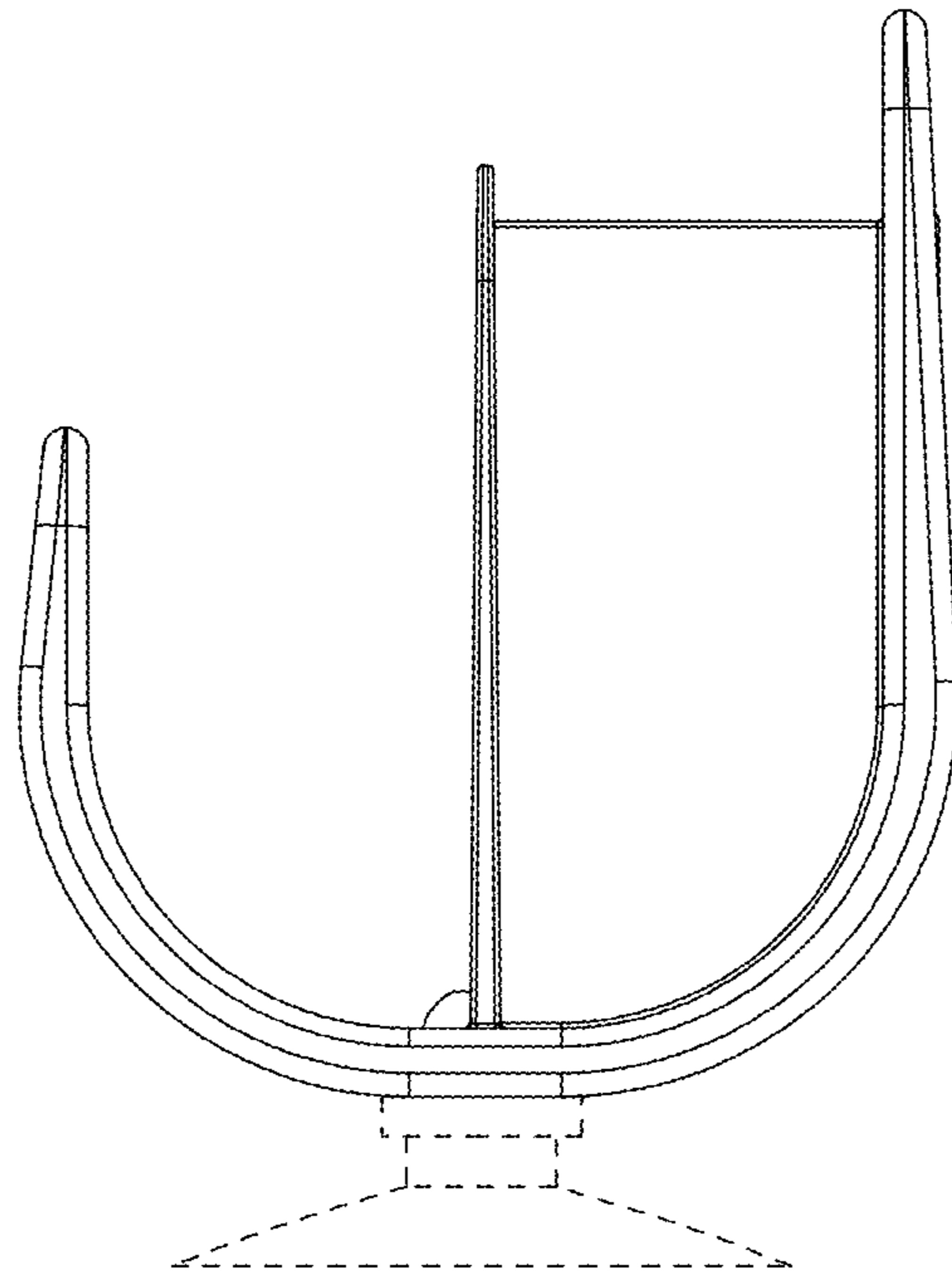


Fig. 5

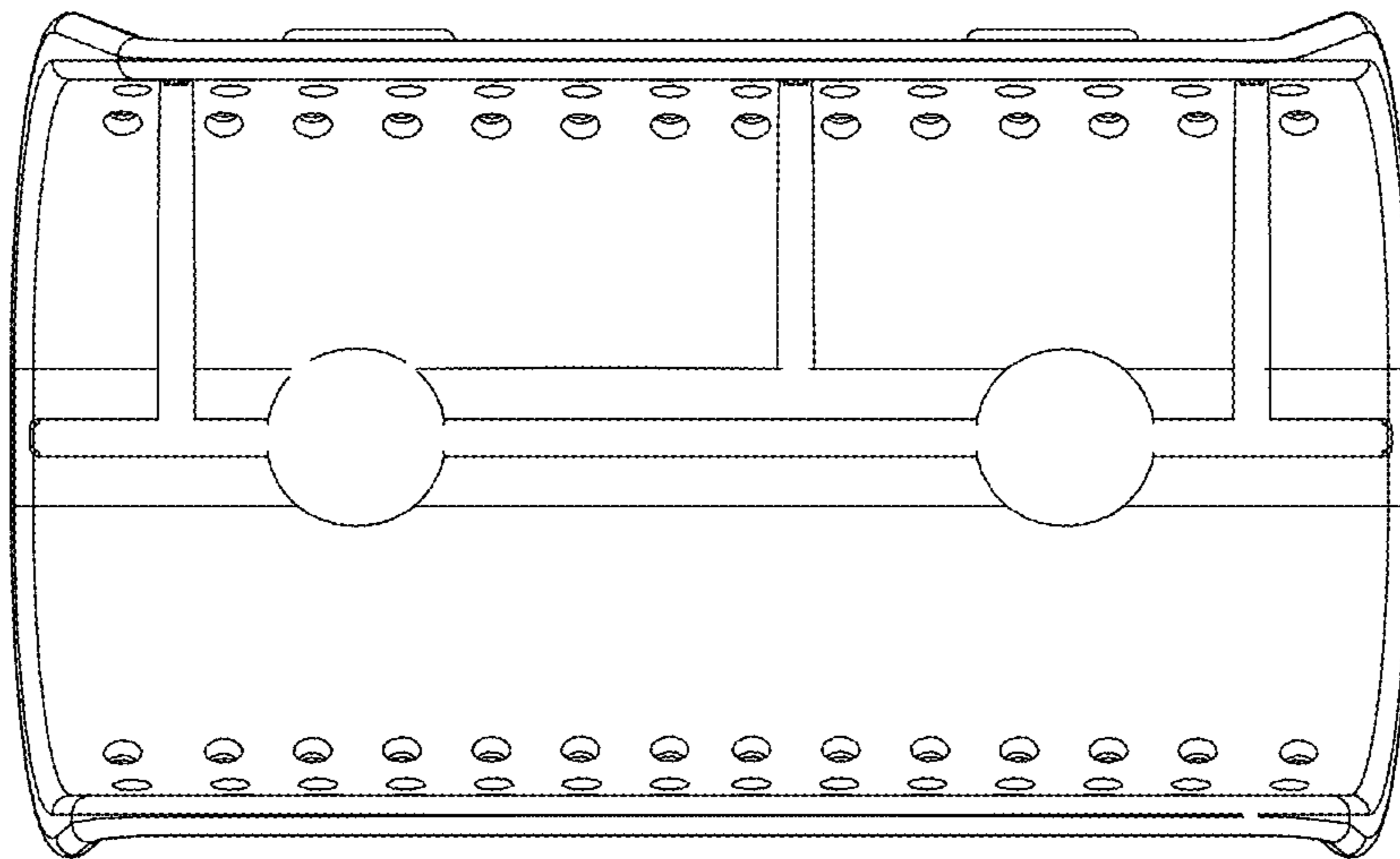


Fig. 6

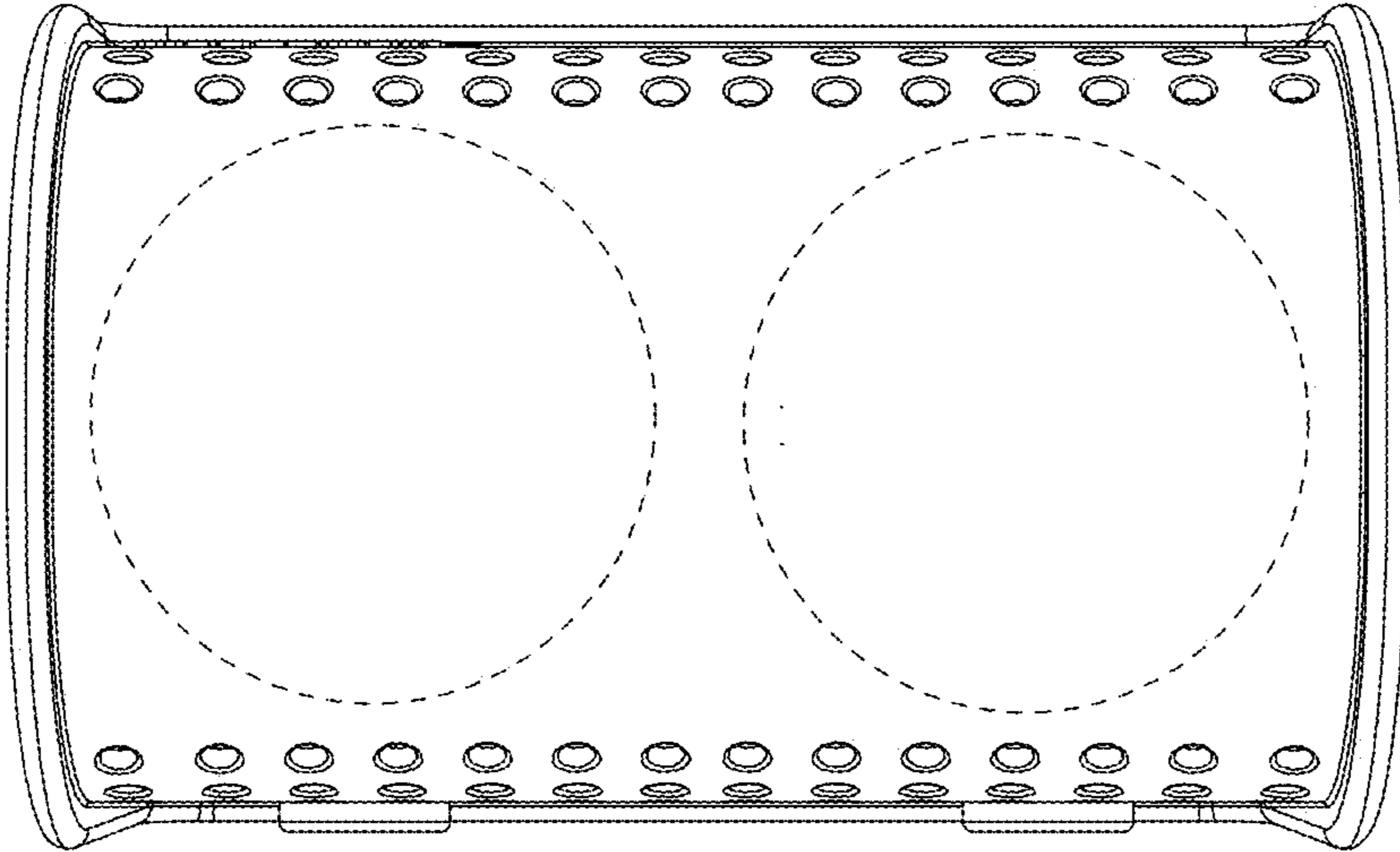


Fig. 7