



US00D877438S

(12) **United States Design Patent**  
 **Holding et al.**

(10) **Patent No.:** **US D877,438 S**  
(45) **Date of Patent:** **\*\* Mar. 3, 2020**

(54) **WASHING VESSEL**  
(71) Applicant: **JOSEPH JOSEPH LTD.**, London  
(GB)  
(72) Inventors: **Bill Holding**, London (GB); **Ben Cox**,  
London (GB)  
(73) Assignee: **JOSEPH JOSEPH LTR.**, London  
(GB)

5,105,947 A \* 4/1992 Wise ..... B65D 19/18  
206/386  
D353,914 S \* 12/1994 Sahm, Jr. .... B65D 19/18  
D30/121  
D420,109 S \* 2/2000 Suter ..... D23/288  
D453,554 S \* 2/2002 Roberts ..... D23/290  
D703,897 S \* 4/2014 Holding ..... D32/53  
D772,059 S \* 11/2016 Urushidani ..... D7/602

(\*\*) Term: **15 Years**  
(21) Appl. No.: **29/659,180**  
(22) Filed: **Aug. 7, 2018**

(30) **Foreign Application Priority Data**  
Feb. 8, 2018 (EM) ..... 004701365-0007  
(51) **LOC (12) Cl.** ..... **07-05**  
(52) **U.S. Cl.**  
USPC ..... **D32/54**  
(58) **Field of Classification Search**  
USPC ..... D32/53, 53.1, 54; D3/304, 307, 315;  
D23/284, 288, 290  
CPC ..... B44D 3/123; B44D 3/128; B44D 3/12;  
A47L 13/142; A47L 13/58; B65D 25/14  
See application file for complete search history.

(56) **References Cited**  
U.S. PATENT DOCUMENTS  
D226,378 S \* 2/1973 Doman ..... D23/290  
D322,474 S \* 12/1991 Dawkins ..... D23/287

**OTHER PUBLICATIONS**

DeBra, Chocolate Banquet Chobani Flip Yogurt, Jul. 2016, blog  
post, retrieved Oct. 16, 2019 from <URL:http://www.chocolatebanquet.  
com/2016/07/chobani-flip-yogurt-chocolate-haze.html> (Year: 2016).\*

\* cited by examiner

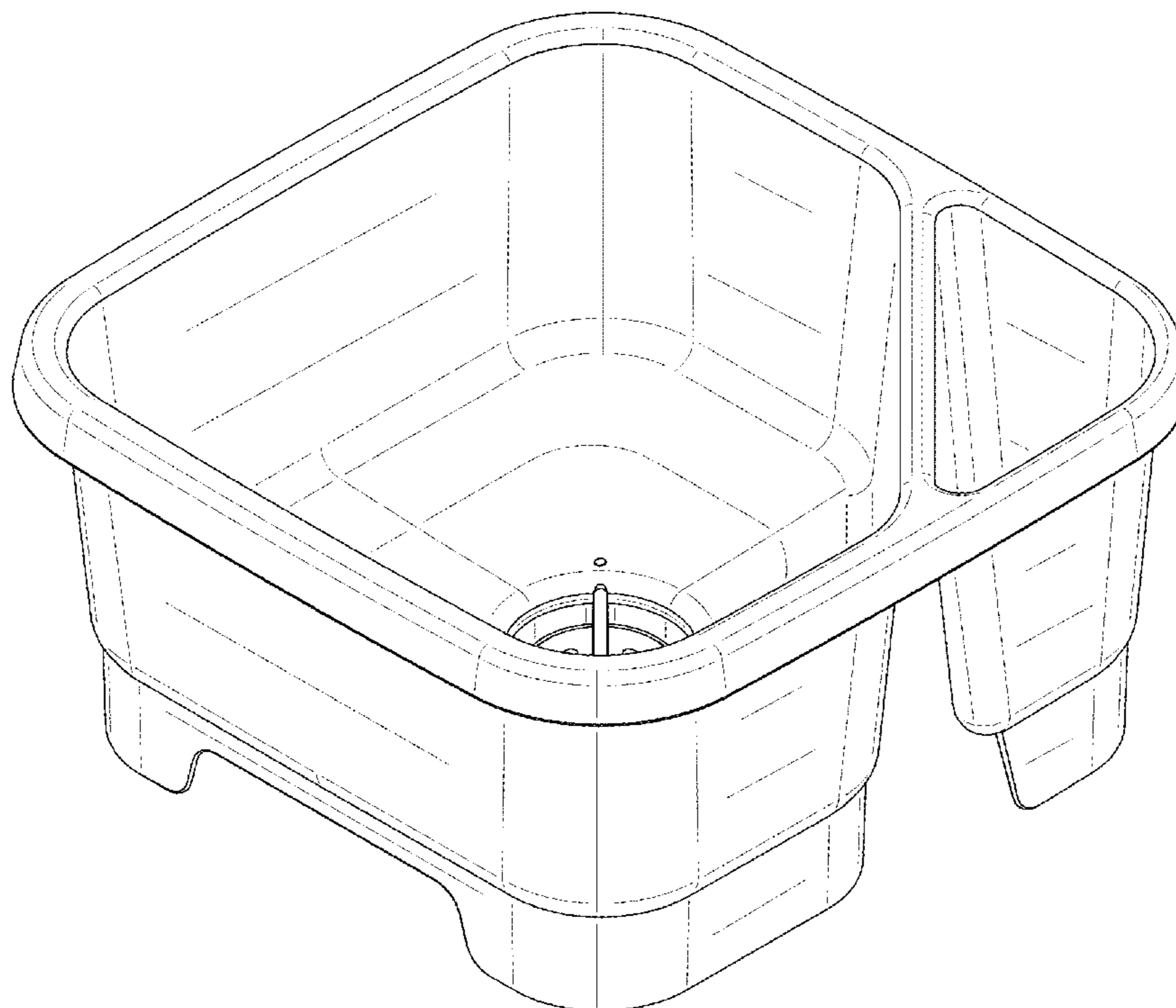
*Primary Examiner* — Sheryl Lane  
*Assistant Examiner* — Calvin E Vansant  
(74) *Attorney, Agent, or Firm* — Millen, White, Zelano &  
Branigan, PC; Ryan Pool

(57) **CLAIM**  
The ornamental design for a washing vessel, as shown and  
described.

**DESCRIPTION**

FIG. 1 is a front view of the washing vessel showing my new  
design.  
FIG. 2 is a back view thereof.  
FIG. 3 is a side view thereof.  
FIG. 4 is another side view thereof.  
FIG. 5 is a top view thereof.  
FIG. 6 is a bottom view thereof; and,  
FIG. 7 is a top perspective view thereof.

**1 Claim, 7 Drawing Sheets**



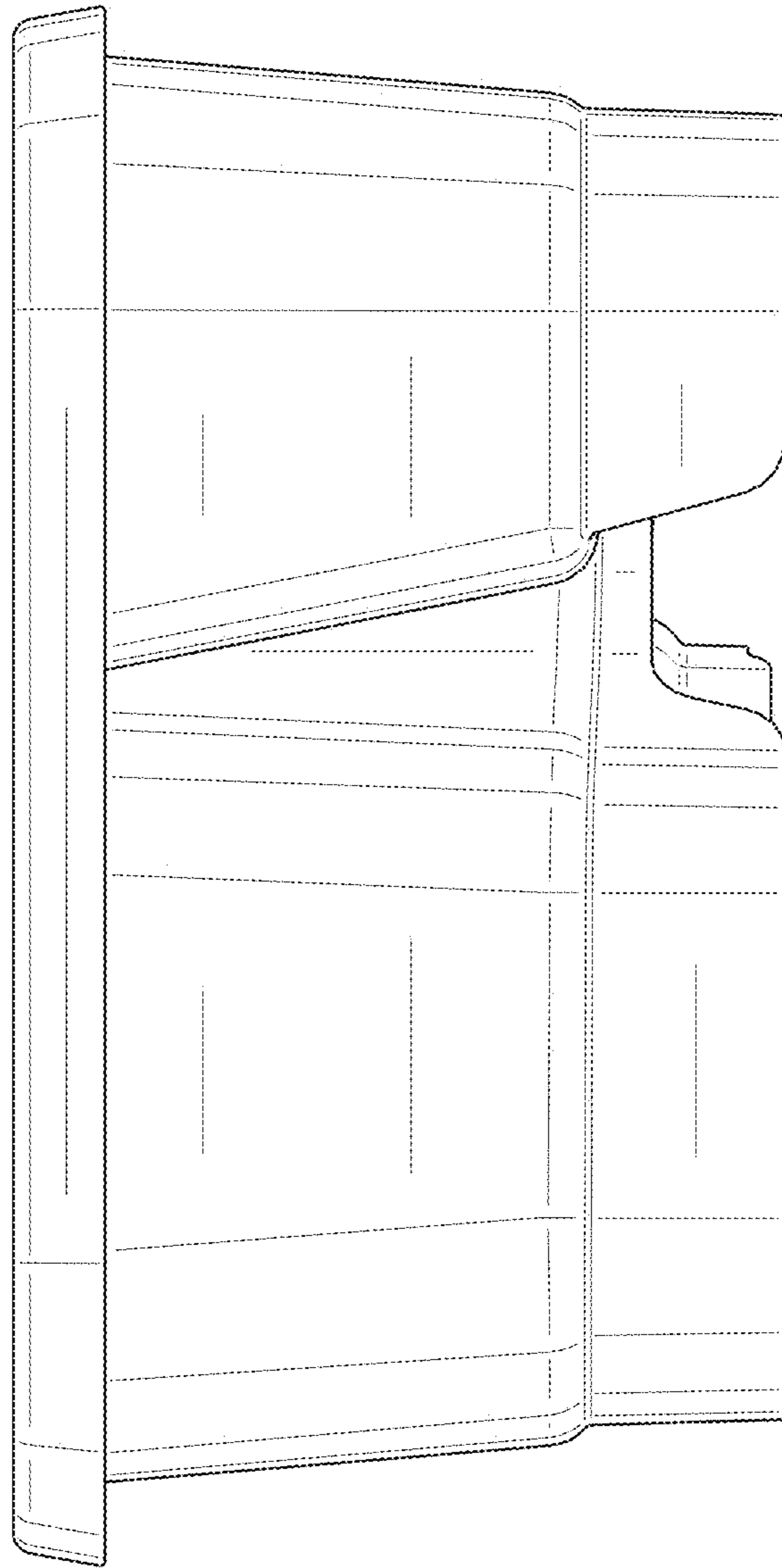


FIG. 1

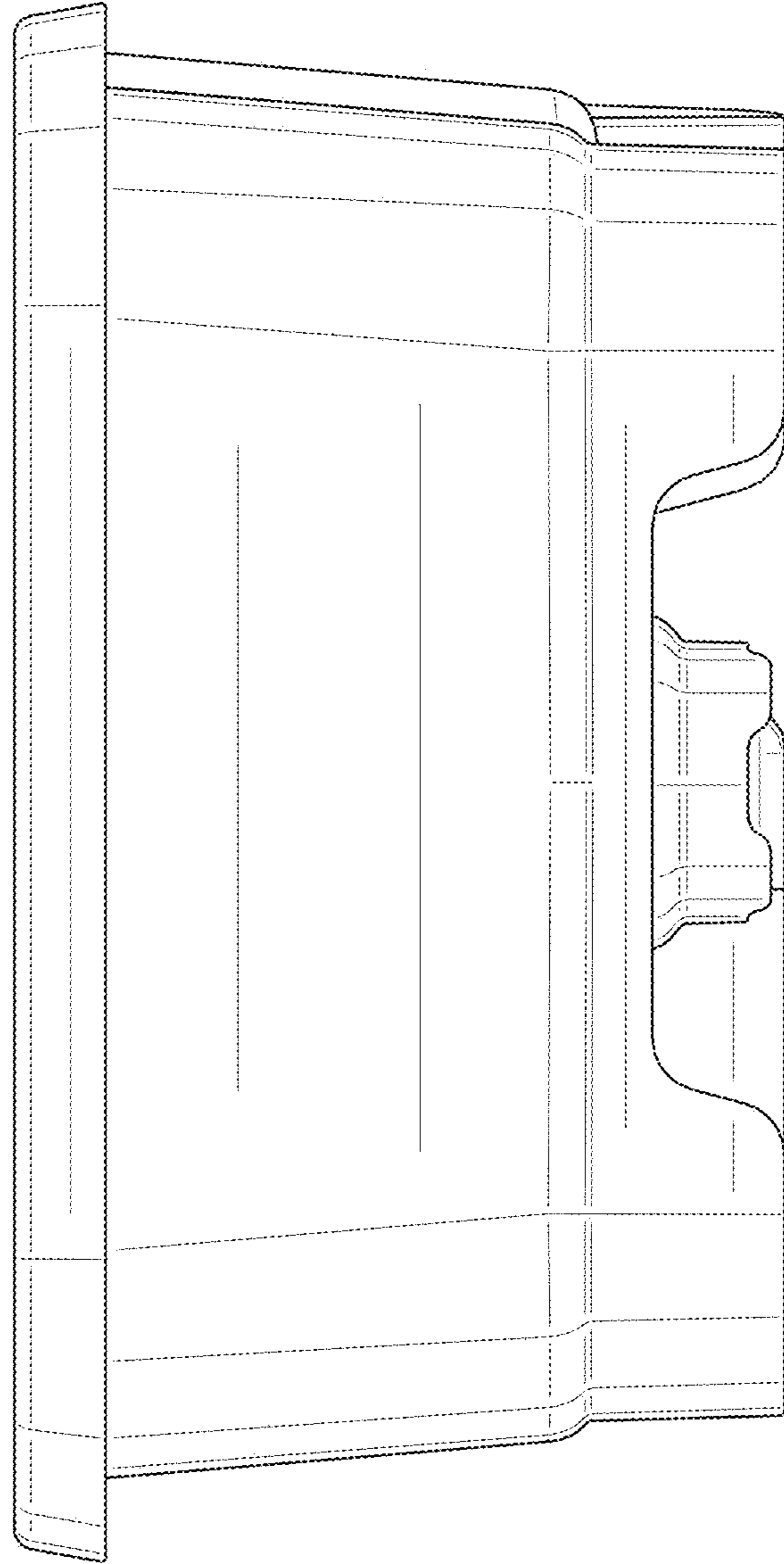


FIG. 2

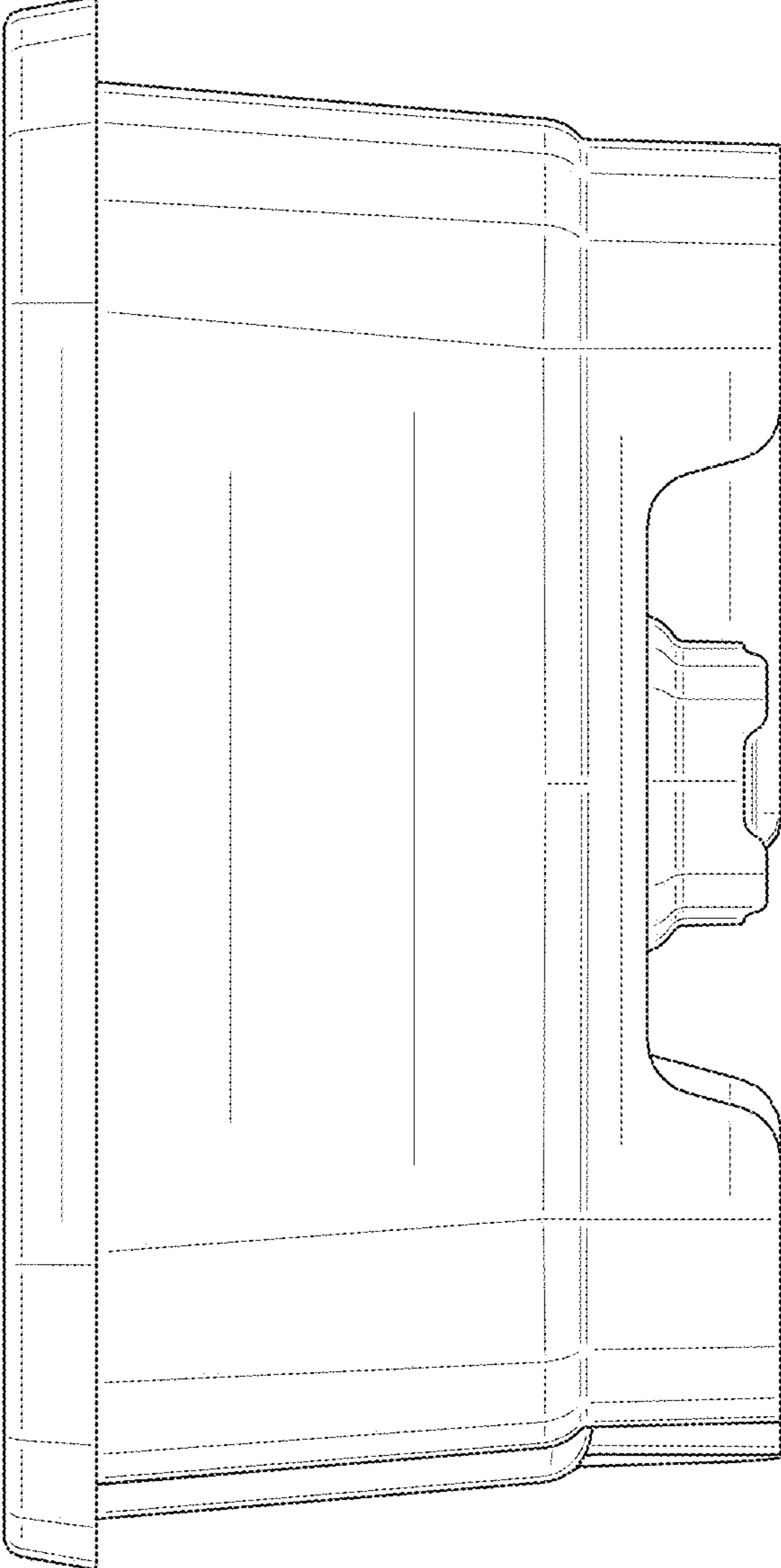


FIG. 3

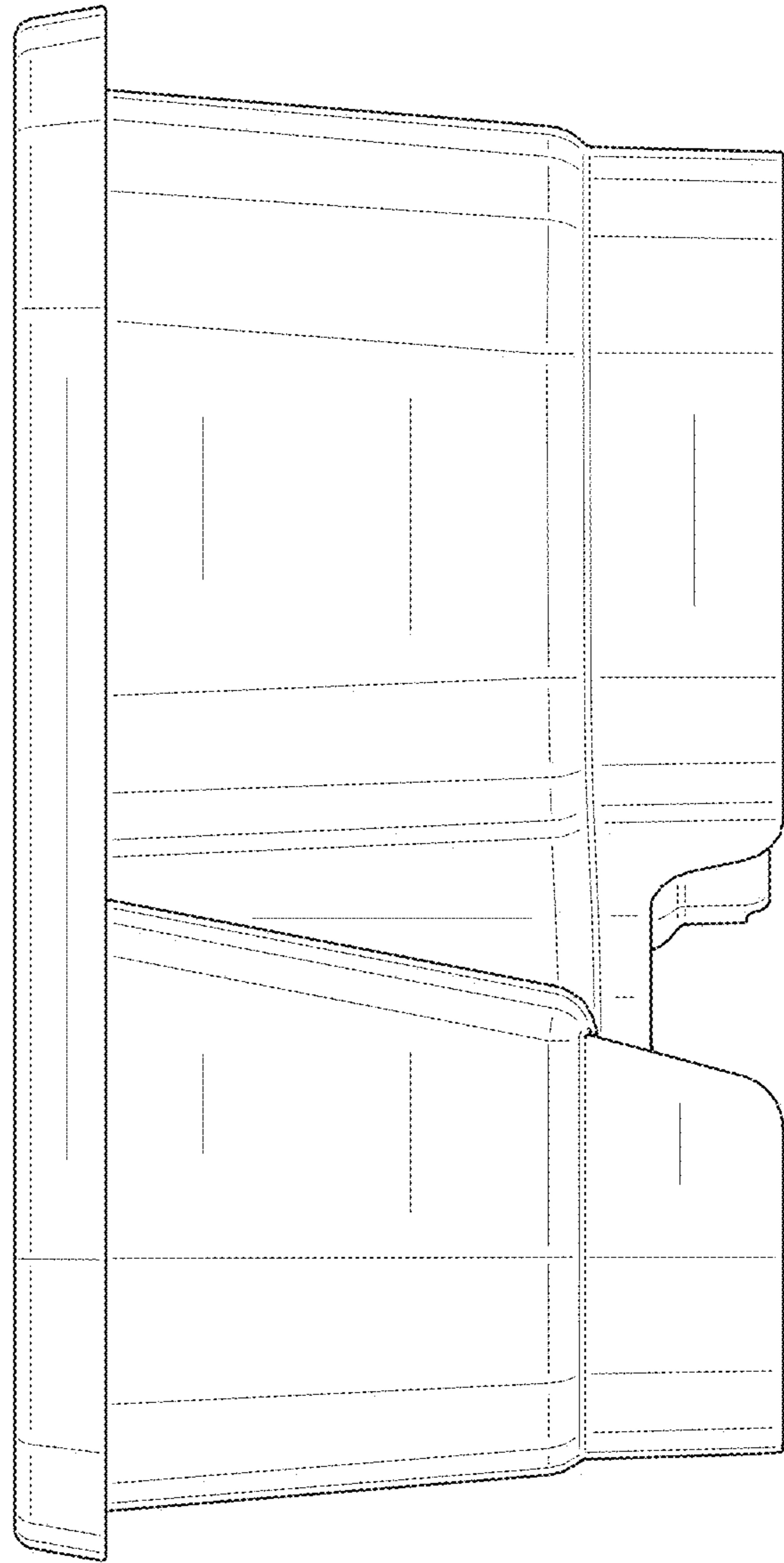


FIG. 4

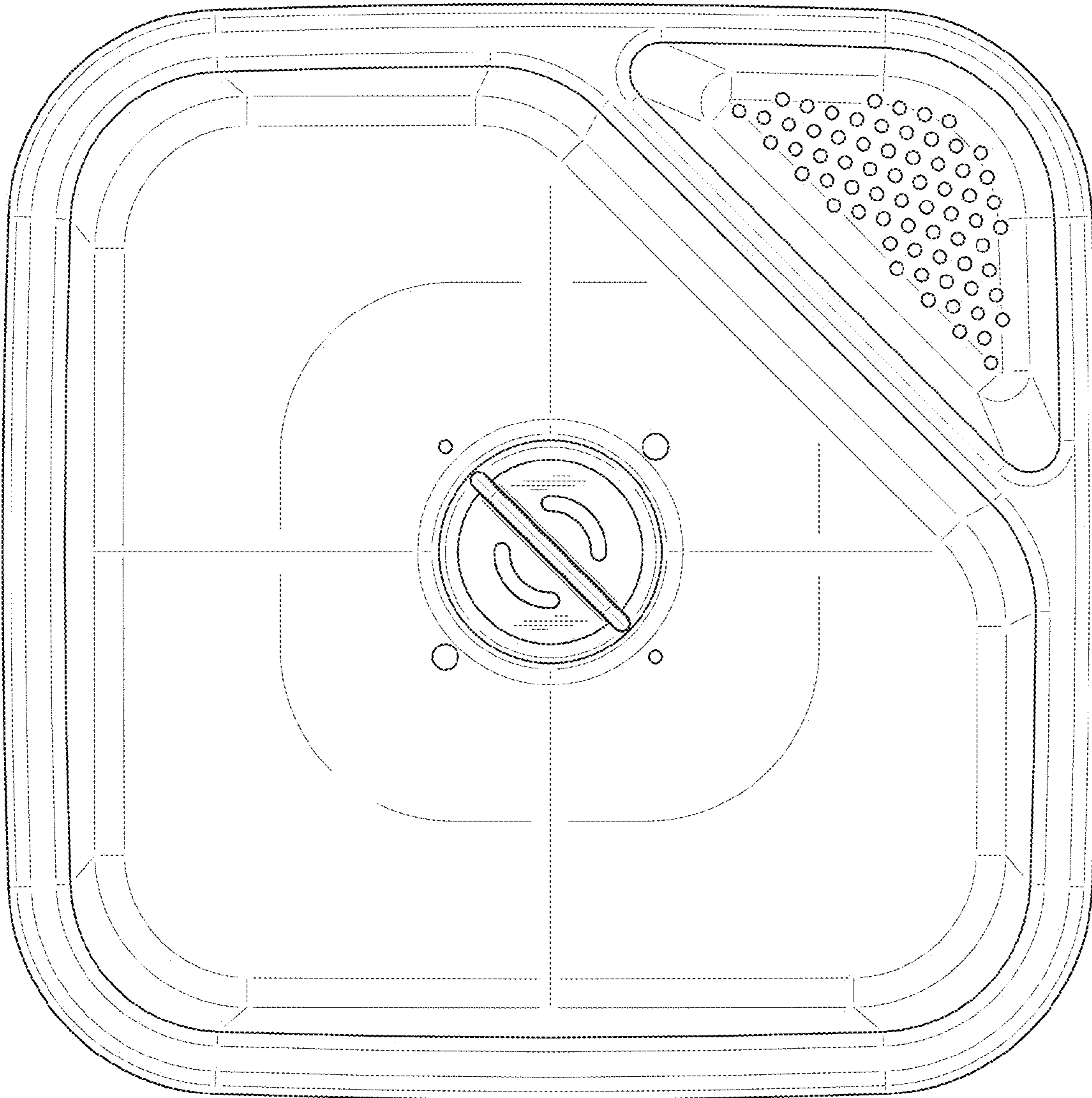


FIG. 5

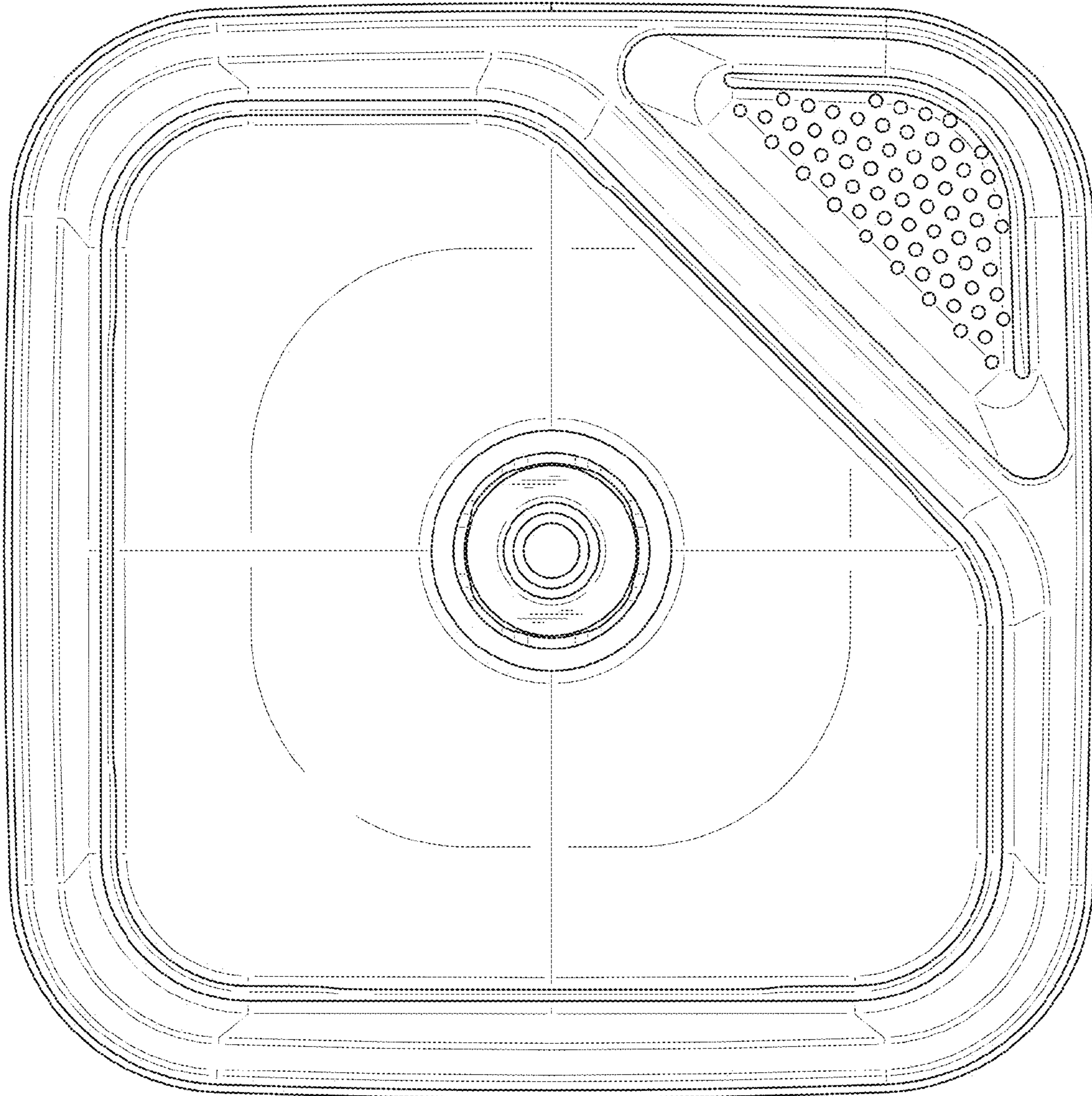


FIG. 6

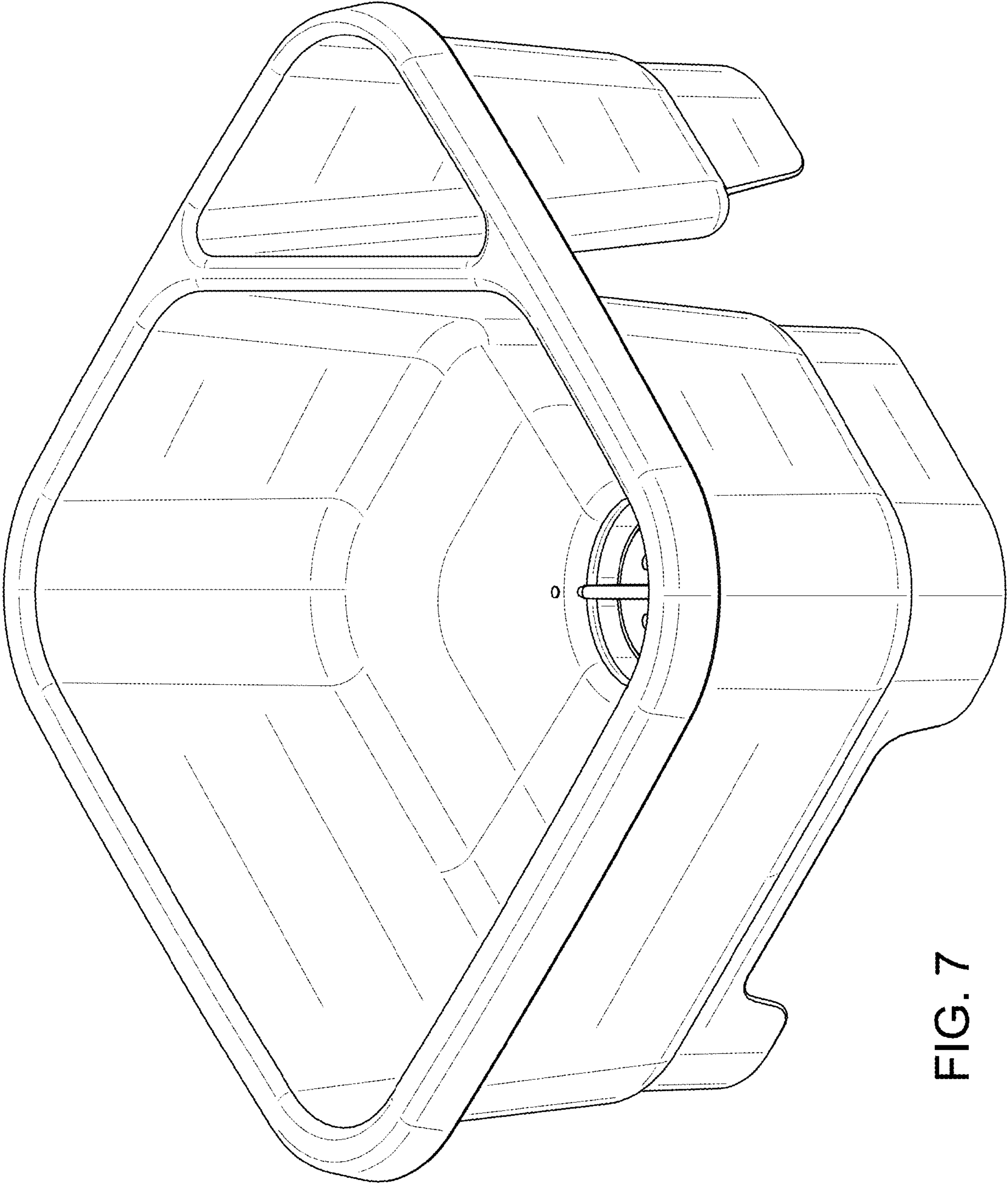


FIG. 7