



US00D877436S

(12) **United States Design Patent** (10) **Patent No.:** **US D877,436 S**  
**Ashton-Miller et al.** (45) **Date of Patent:** **\*\* Mar. 3, 2020**

(54) **GUTTER CLEANING DEVICE**  
(71) Applicant: **Viper Tool Company LLC**, Ann Arbor, MI (US)  
(72) Inventors: **James A Ashton-Miller**, Ann Arbor, MI (US); **Jeffrey E Terrell**, Ann Arbor, MI (US)  
(73) Assignee: **Viper Tool Company, LLC**, Ann Arbor, MI (US)  
(\*\*) Term: **15 Years**  
(21) Appl. No.: **29/640,884**  
(22) Filed: **Mar. 18, 2018**  
(51) **LOC (12) Cl.** ..... **07-05**  
(52) **U.S. Cl.**  
USPC ..... **D32/45**  
(58) **Field of Classification Search**  
USPC ..... D32/40-49, 25, 30, 32-33  
CPC ..... E04D 13/0765; B08B 5/02; E01H 1/0818; A47L 5/14  
See application file for complete search history.

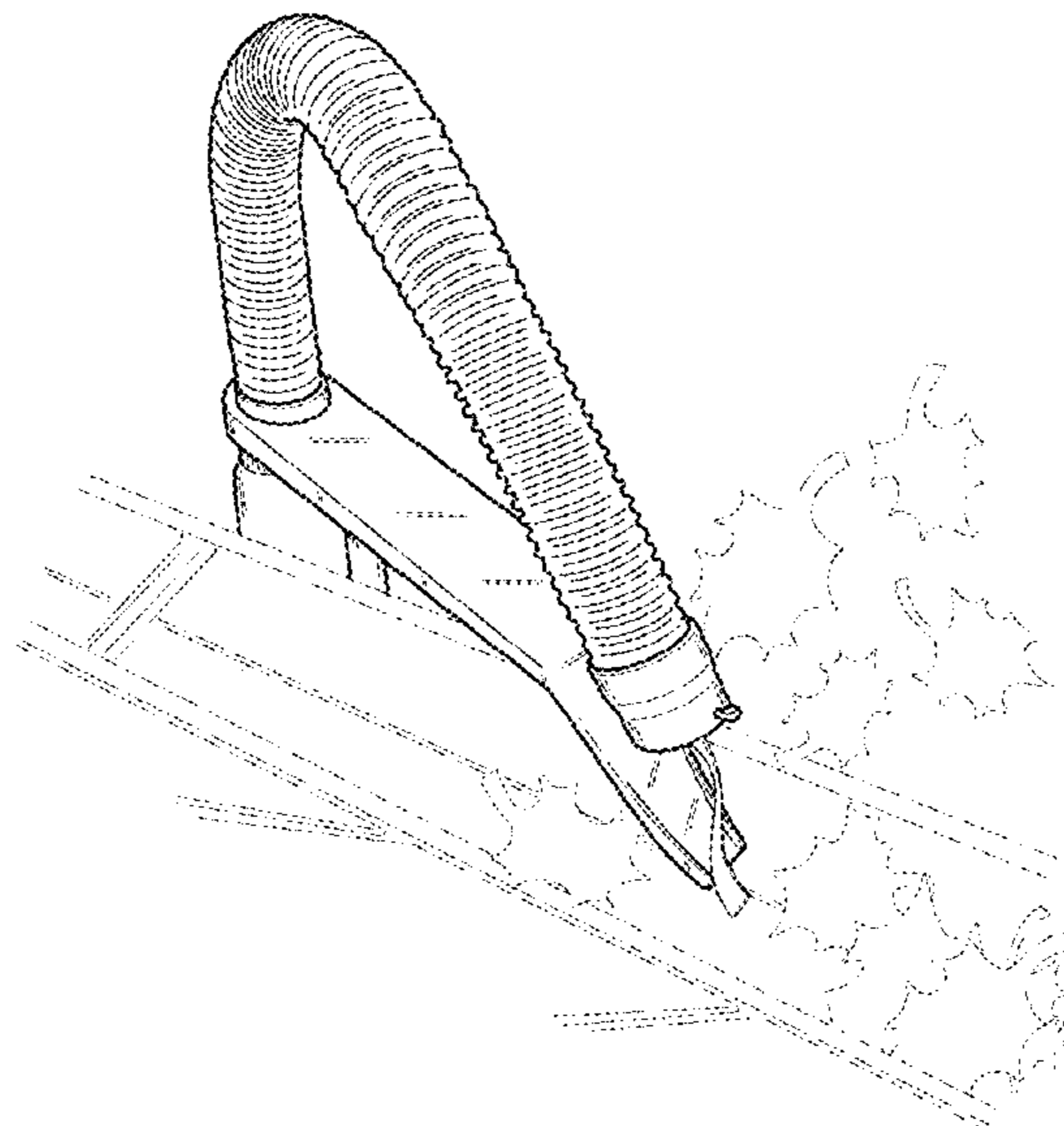
(56) **References Cited**  
U.S. PATENT DOCUMENTS  
2,623,234 A 12/1952 Brown  
3,023,971 A 12/1959 Milhous  
3,041,655 A 7/1962 Entler  
3,971,098 A \* 7/1976 Davis ..... A47L 7/0009 15/410  
D246,523 S 11/1977 Bartlett  
4,121,320 A 10/1978 Feiner  
4,319,851 A 3/1982 Arthur  
4,363,335 A 12/1982 Tapper  
(Continued)

Primary Examiner — Michelle E. Wilson

(74) *Attorney, Agent, or Firm* — Kelly M. McGlashen  
(57) **CLAIM**  
The ornamental design for a gutter cleaning device, as shown and described.

**DESCRIPTION**  
FIG. 1 is a perspective view of a cleaning head portion of a gutter cleaning device.  
FIG. 2 is a right side view thereof, showing the cleaning head portion of FIG. 1;  
FIG. 3 is a left side view thereof, showing the cleaning head portion of FIG. 1;  
FIG. 4 is a front side view thereof, showing the cleaning head portion of FIG. 1;  
FIG. 5 is a rear side view thereof, showing the cleaning head portion of FIG. 1;  
FIG. 6 is a top side view thereof, showing the cleaning head portion of FIG. 1;  
FIG. 7 is a bottom side view thereof, showing the cleaning head portion of FIG. 1;  
FIG. 8 is a perspective view thereof, showing the cleaning head portion shown in FIG. 1. The gutter cleaning device is now being illustrated with a fluid supply tube, in an extended configuration;  
FIG. 9 is a right side view thereof of FIG. 8;  
FIG. 10 is a left side view thereof of FIG. 8;  
FIG. 11 is a front side view thereof of FIG. 8;  
FIG. 12 is a rear side view thereof of FIG. 8;  
FIG. 13 is a top side view thereof of FIG. 8;  
FIG. 14 is a bottom side view thereof of FIG. 8;  
FIG. 15 is a top side view thereof of FIG. 8, illustrating the fluid supply tube in a folded configuration; and,  
FIG. 16 is a bottom side view thereof of FIG. 8, illustrating the fluid supply tube in a folded configuration.  
The broken away symbols in the drawings indicate that any portion of the article beyond what is shown forms no part of the claimed design.  
The broken lines in the figures represent the environment and features of the Gutter Cleaning Device that form no part of the claimed design.

**1 Claim, 16 Drawing Sheets**



(56)

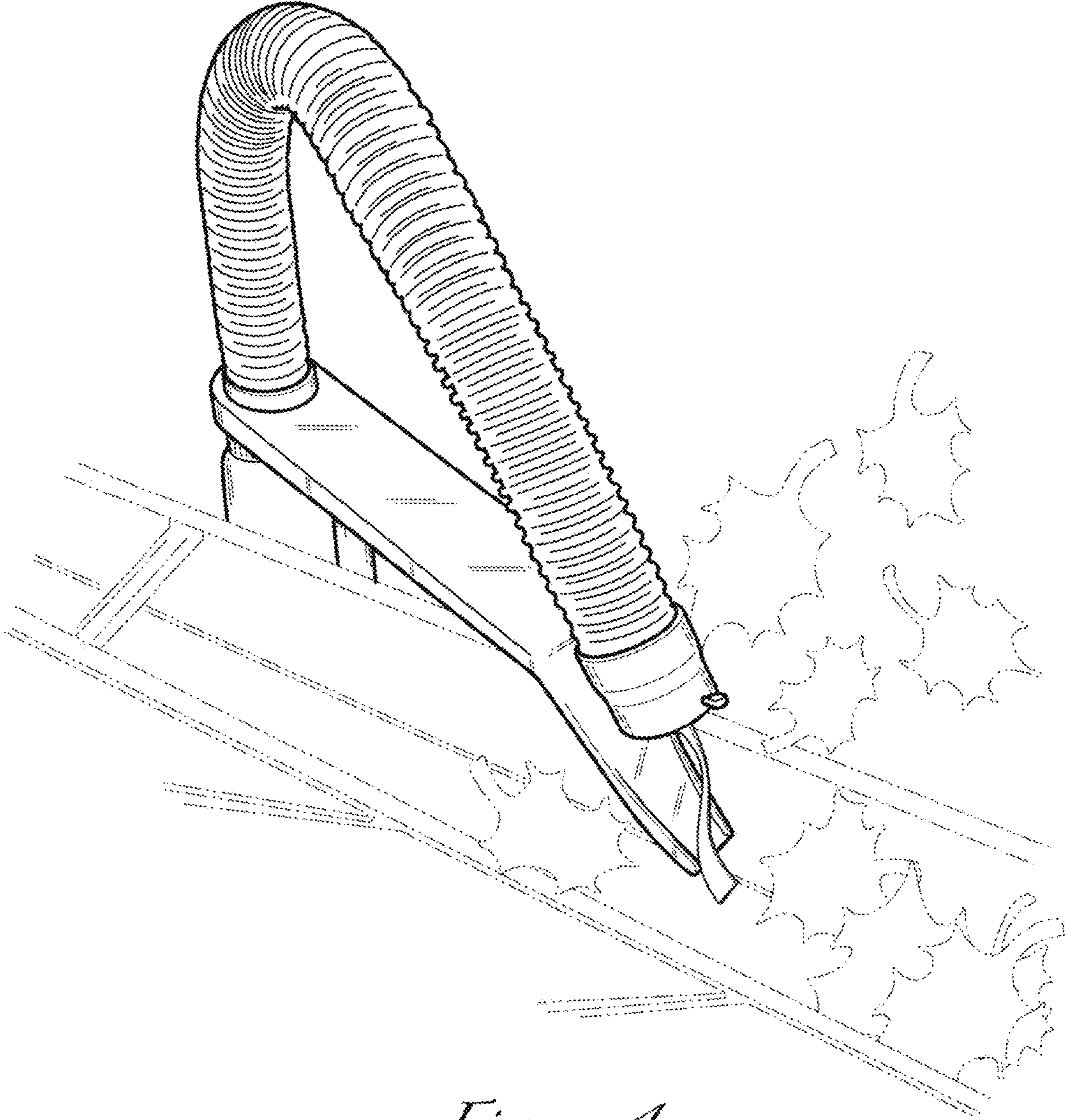
References Cited

U.S. PATENT DOCUMENTS

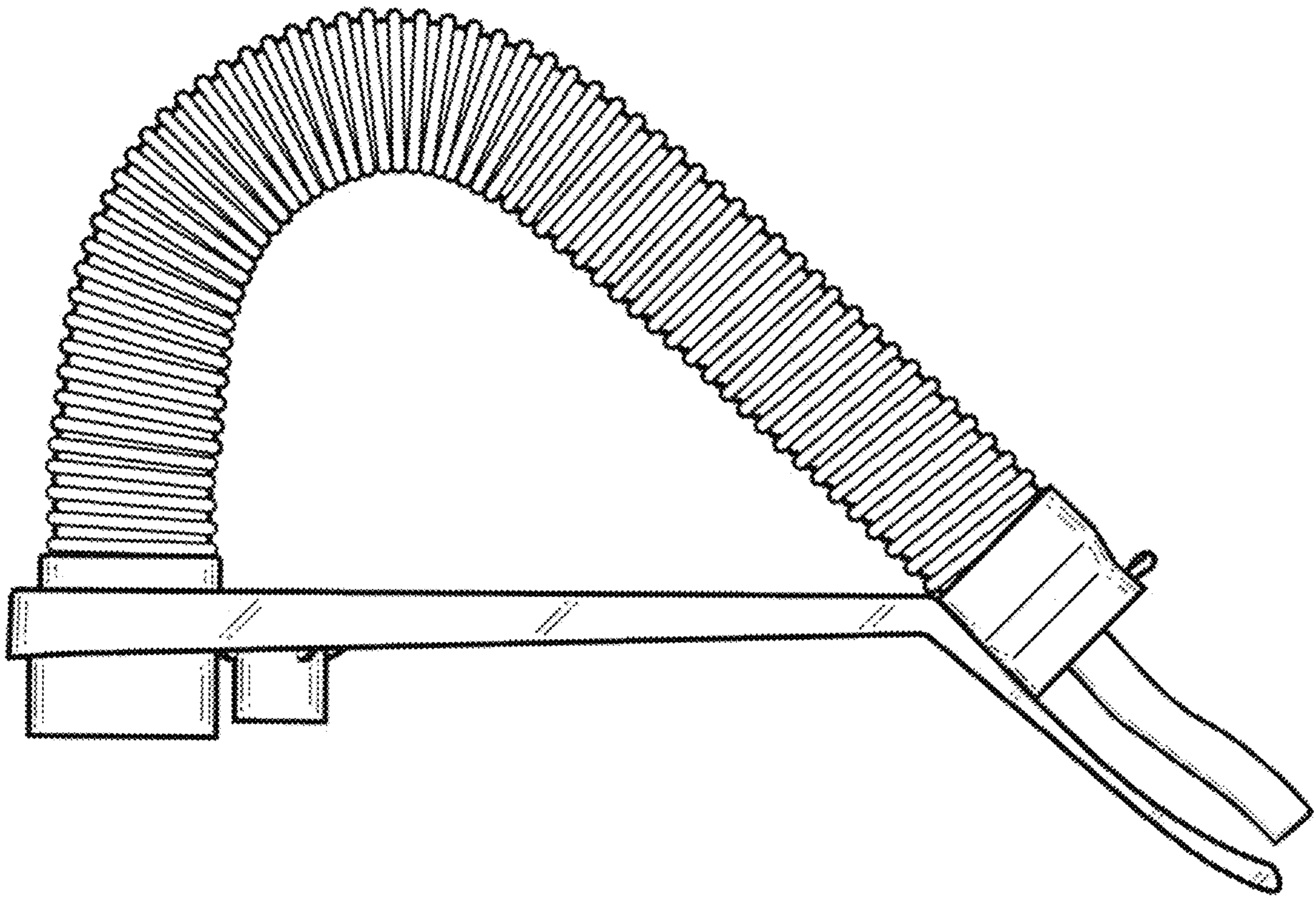
4,402,106 A \* 9/1983 Mattson ..... E04D 13/0765  
15/406  
4,447,927 A \* 5/1984 Malless, Jr. .... E04D 13/0765  
15/145  
4,468,835 A 9/1984 Rhodes  
4,478,661 A 10/1984 Lewis  
4,542,553 A \* 9/1985 Cary ..... E04D 13/0765  
15/143.1  
D283,068 S 3/1986 Beal  
4,673,129 A \* 6/1987 Kologiy ..... E04D 13/0765  
239/532  
4,848,818 A 7/1989 Smith  
5,056,187 A 10/1991 Higgins  
5,195,209 A 3/1993 Watkins  
5,386,942 A \* 2/1995 Dietle ..... B05B 15/656  
239/532  
D366,130 S 1/1996 Ordonez  
D368,996 S \* 4/1996 Boyer ..... D32/32  
5,586,360 A \* 12/1996 Diederiks, Jr. .... A47L 9/02  
15/410  
D384,453 S \* 9/1997 Bartz ..... D32/31  
D387,208 S 12/1997 Collett  
D391,704 S \* 3/1998 Facer ..... D32/32  
5,791,006 A \* 8/1998 Anctil ..... A46B 17/02  
15/143.1  
5,898,969 A \* 5/1999 Middleton ..... E04D 13/0765  
15/236.04  
D433,203 S 10/2000 Hill  
6,154,918 A \* 12/2000 Cain ..... A47L 5/24  
15/327.5  
6,185,782 B1 2/2001 Hall  
6,257,256 B1 7/2001 Fischer  
D460,842 S \* 7/2002 Sainsbury ..... D32/15  
6,471,271 B1 10/2002 Segal  
6,519,809 B2 \* 2/2003 Gutry ..... A47L 9/02  
15/327.5  
6,766,560 B2 7/2004 Murphy  
D513,101 S \* 12/2005 Allard ..... D32/32  
7,076,828 B2 \* 7/2006 Hewlett ..... E04D 13/0765  
15/236.01  
7,549,191 B2 \* 6/2009 Seasholtz ..... E04D 13/0765  
15/321

D622,016 S \* 8/2010 Hofmann-Kay ..... D32/32  
7,886,399 B2 2/2011 Dayton  
D668,410 S \* 10/2012 Khubani ..... D32/31  
D670,881 S 11/2012 Tonge  
D680,966 S \* 4/2013 Gross ..... D13/155  
D680,967 S \* 4/2013 Gross ..... D13/155  
D680,968 S \* 4/2013 Gross ..... D13/155  
D680,969 S \* 4/2013 Gross ..... D13/155  
D681,894 S \* 5/2013 Wu ..... D32/31  
D681,895 S 5/2013 Heffernan  
8,510,910 B1 \* 8/2013 Ramsey ..... E04D 13/0765  
15/405  
8,561,623 B2 10/2013 Lowenstein  
D701,010 S \* 3/2014 Tate ..... D32/32  
8,739,362 B1 6/2014 Conder  
8,757,213 B2 6/2014 Berardi  
9,074,374 B1 \* 7/2015 Chao ..... E04D 13/0765  
9,267,291 B1 \* 2/2016 Ramsey ..... E04D 13/0765  
9,347,223 B1 5/2016 Ashton-Miller et al.  
D773,136 S \* 11/2016 Fuller ..... D32/31  
9,725,908 B2 8/2017 Ashton-Miller  
D805,267 S 12/2017 Mayne  
D812,331 S \* 3/2018 LaBarbera ..... D32/31  
D816,931 S \* 5/2018 Ashton-Miller ..... D32/35  
D830,655 S \* 10/2018 Kim ..... D32/31  
D848,378 S \* 5/2019 Gross ..... D13/155  
2003/0213086 A1 11/2003 Heavner et al.  
2004/0042284 A1 \* 3/2004 Sato ..... G11C 7/22  
365/200  
2004/0060142 A1 \* 4/2004 Hubbard ..... E04D 13/0765  
15/236.04  
2004/0143931 A1 \* 7/2004 Dennis ..... A47L 5/14  
15/414  
2005/0241096 A1 \* 11/2005 Reed, Jr. .... E04D 13/0765  
15/236.04  
2006/0213027 A1 \* 9/2006 Oberembt ..... A47L 9/244  
15/414  
2008/0022487 A1 \* 1/2008 Young ..... A47L 7/0009  
15/414  
2008/0105765 A1 \* 5/2008 Camp ..... F16L 15/006  
239/532  
2008/0163451 A1 \* 7/2008 Buller ..... A47L 9/0036  
15/414  
2009/0293217 A1 \* 12/2009 Paterson ..... E04D 13/0765  
15/236.04

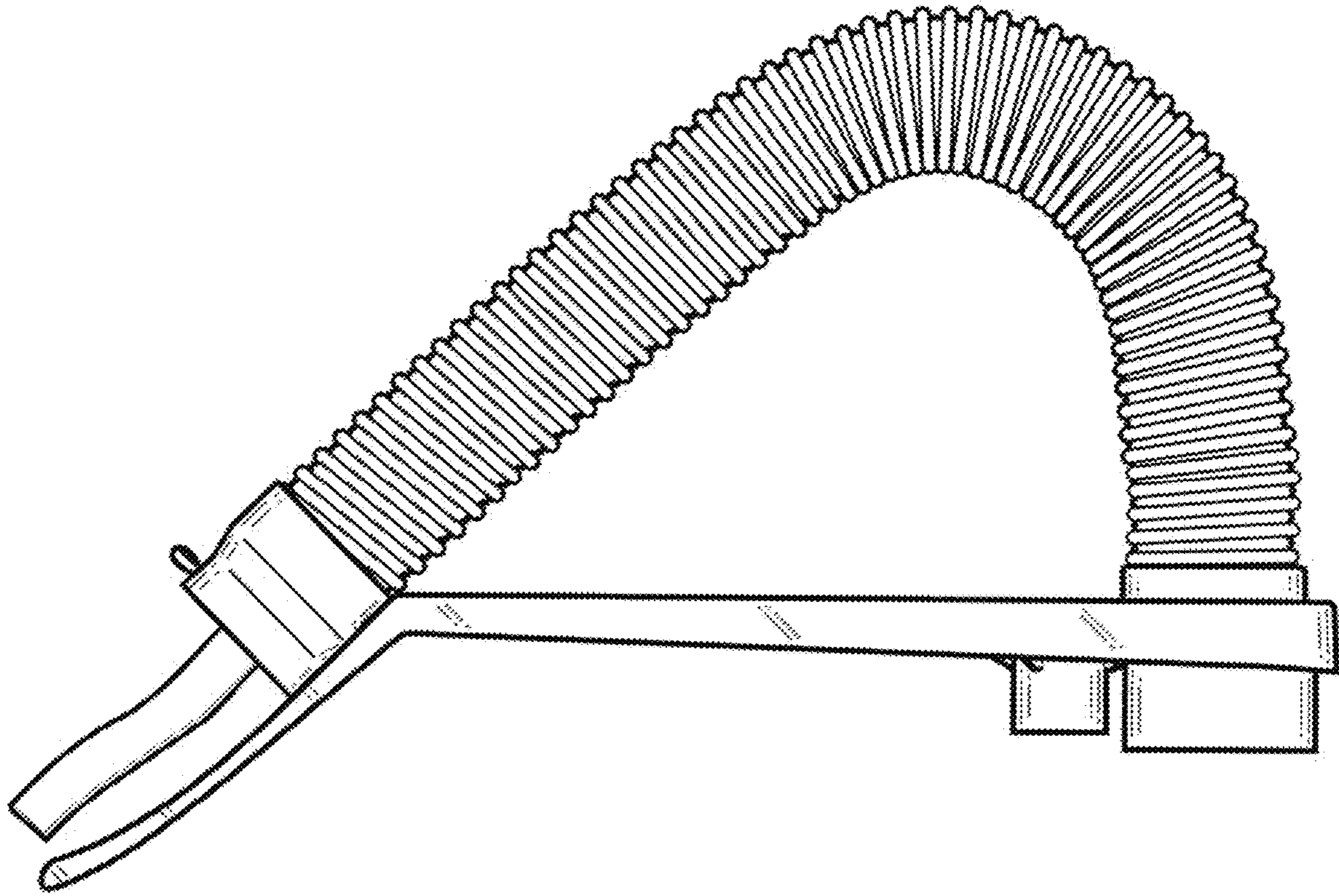
\* cited by examiner



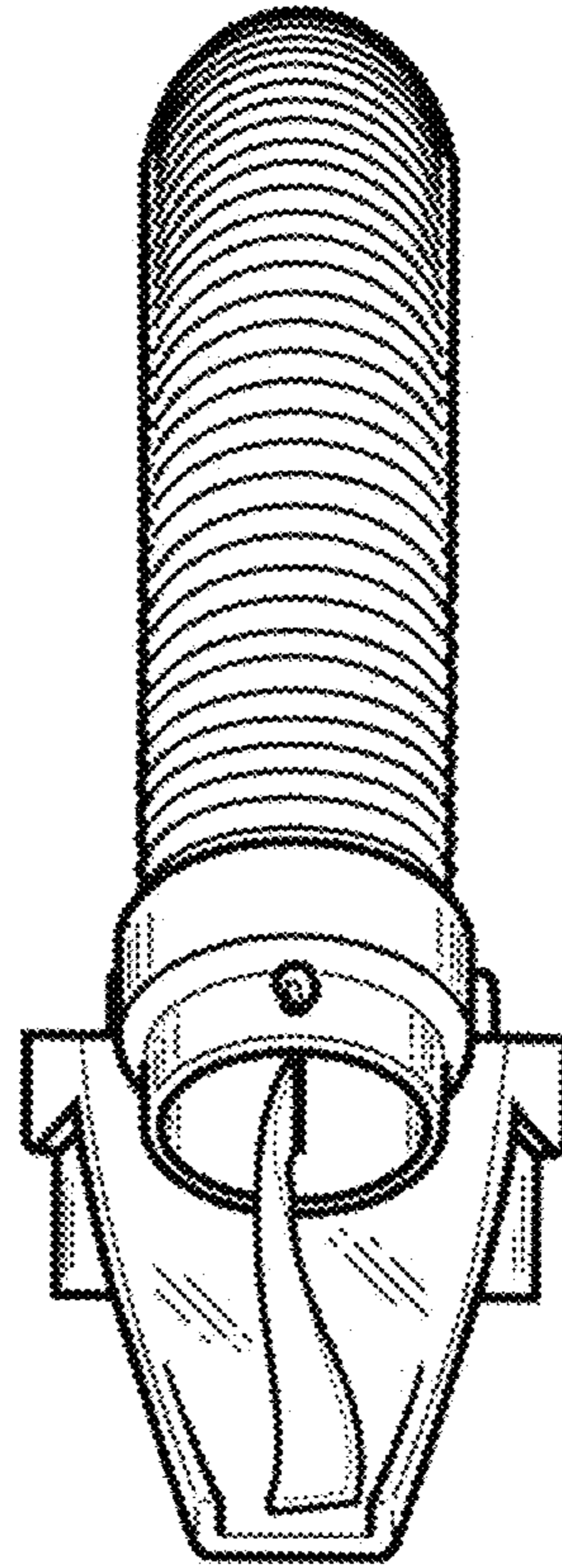
*Figure 1*



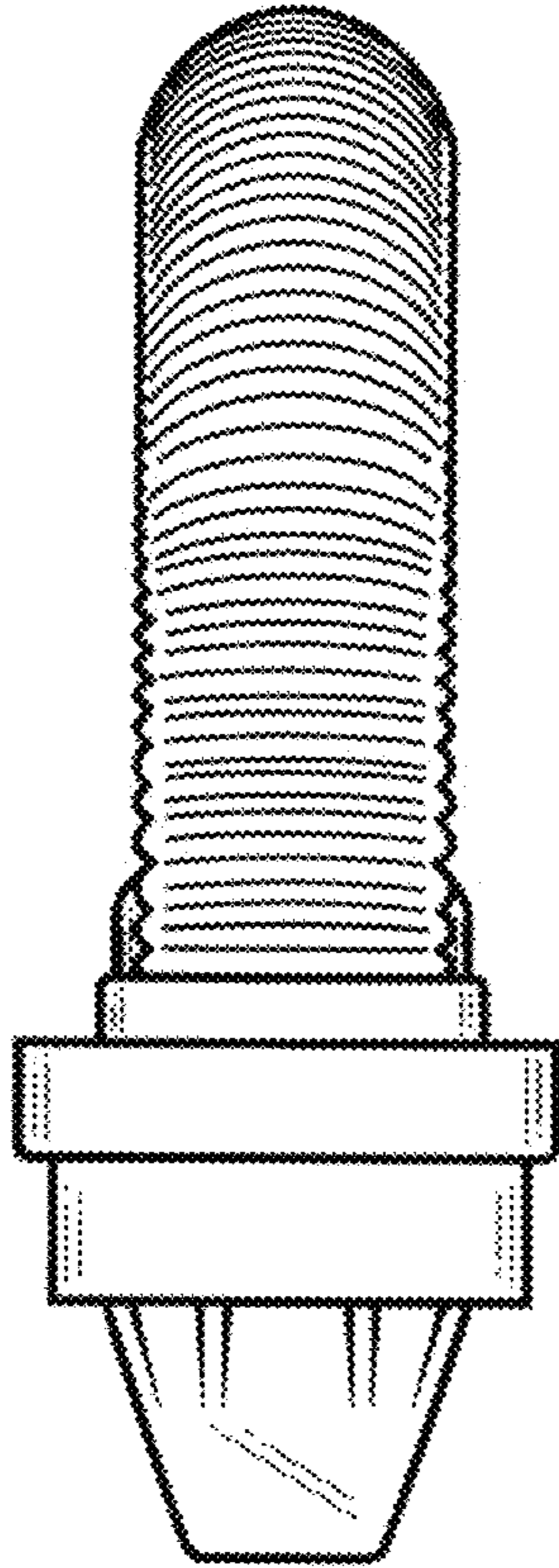
*Figure 2*



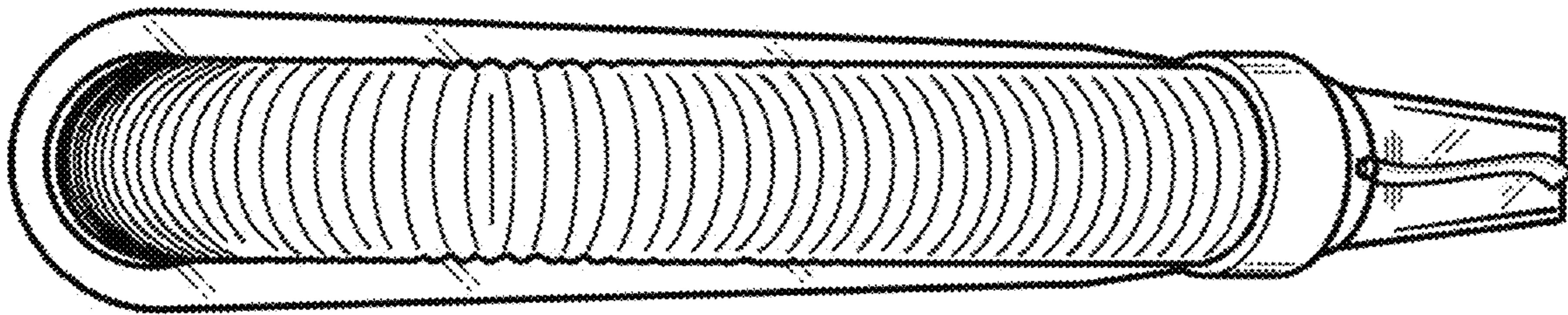
*Figure 3*



*Figure 4*

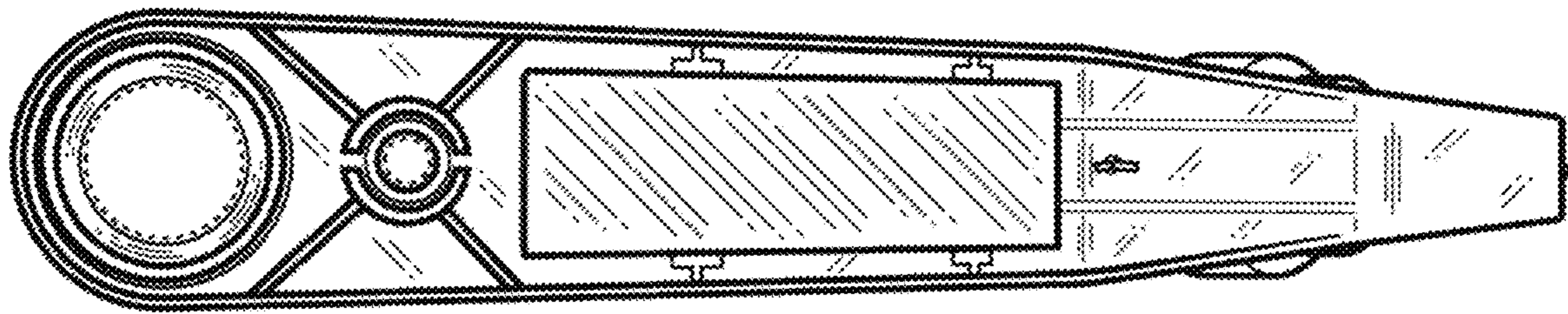


*Figure 5*

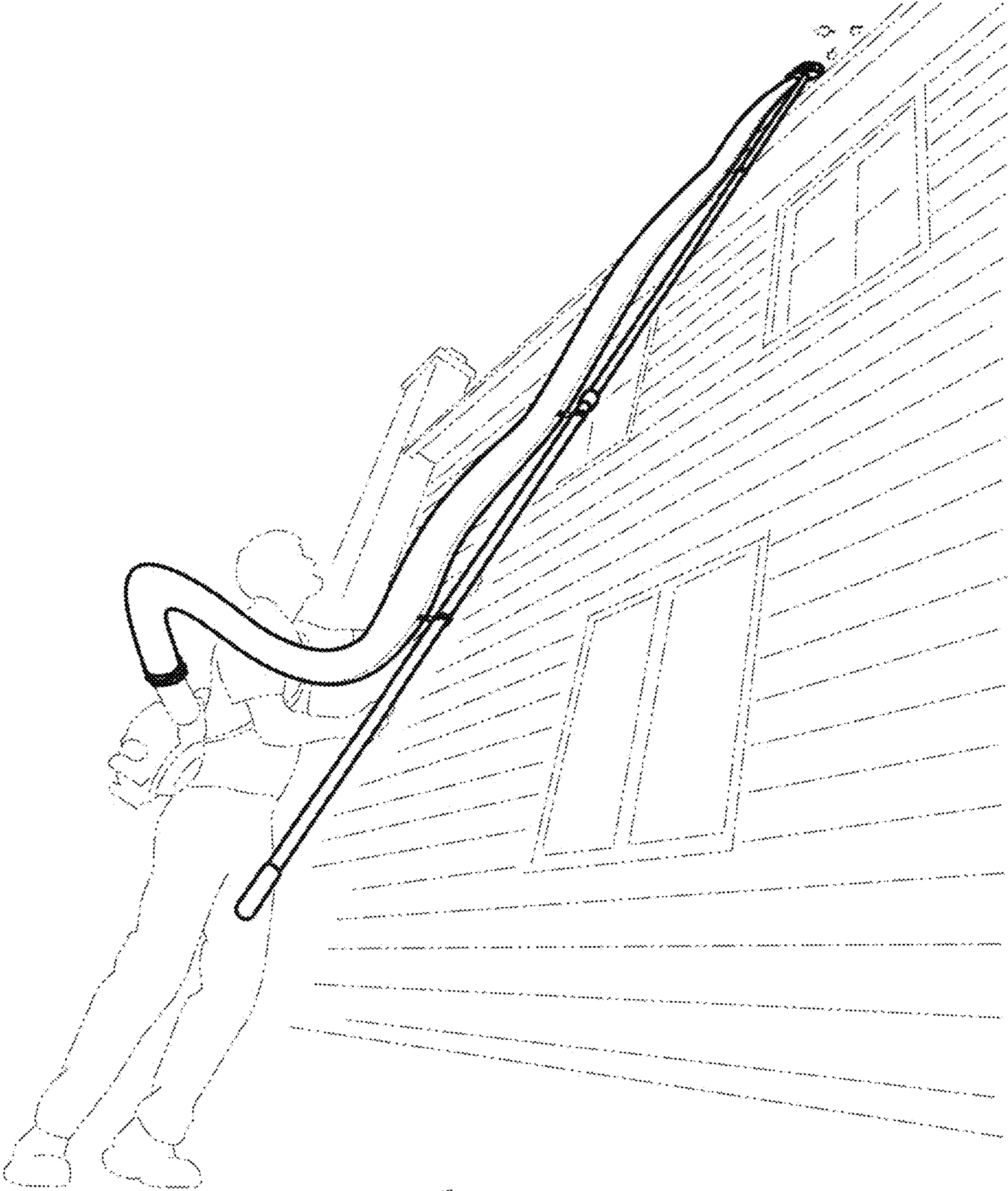


*Figure 6*

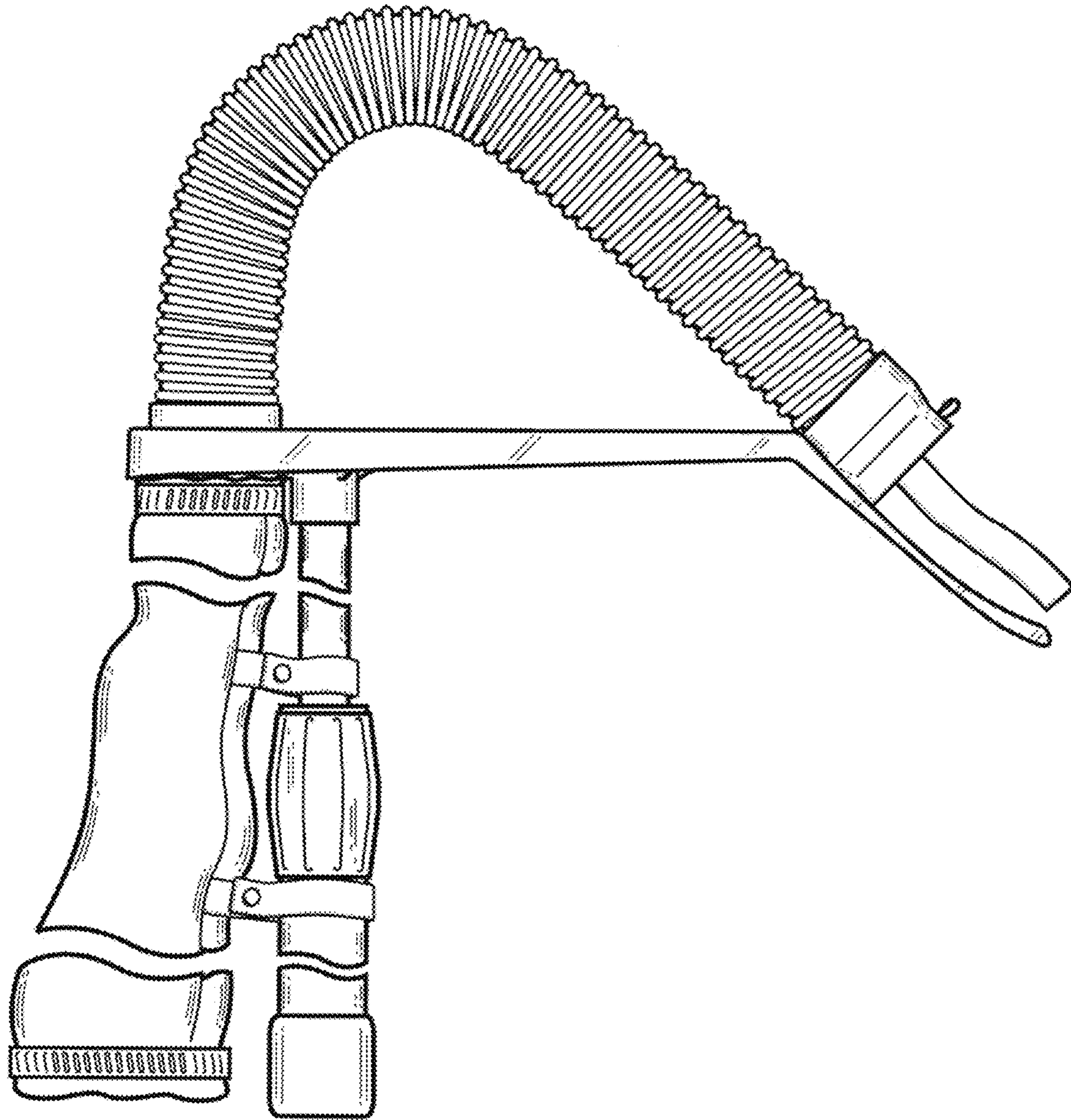




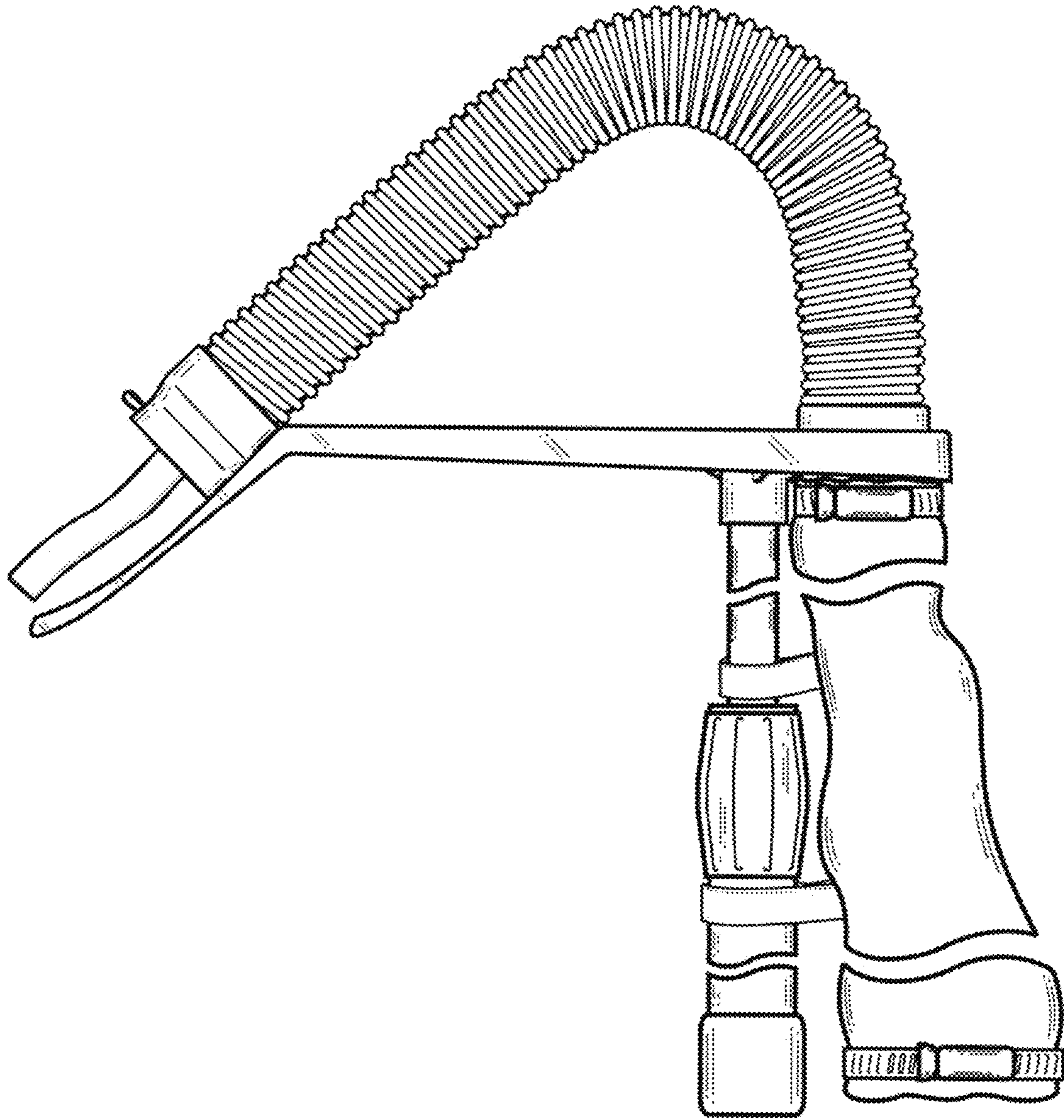
*Figure 7*



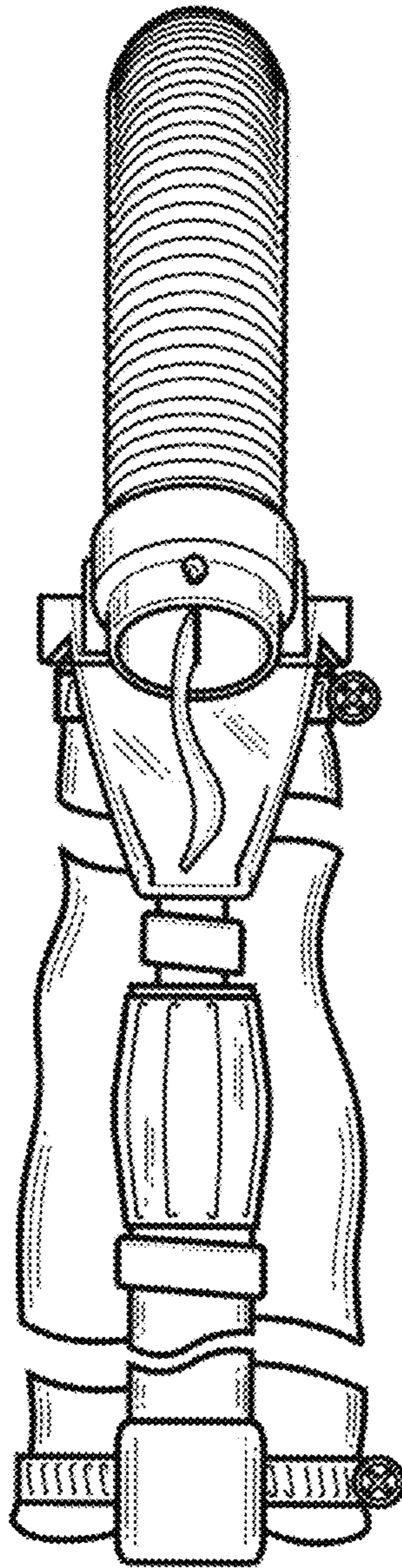
*Figure 8*



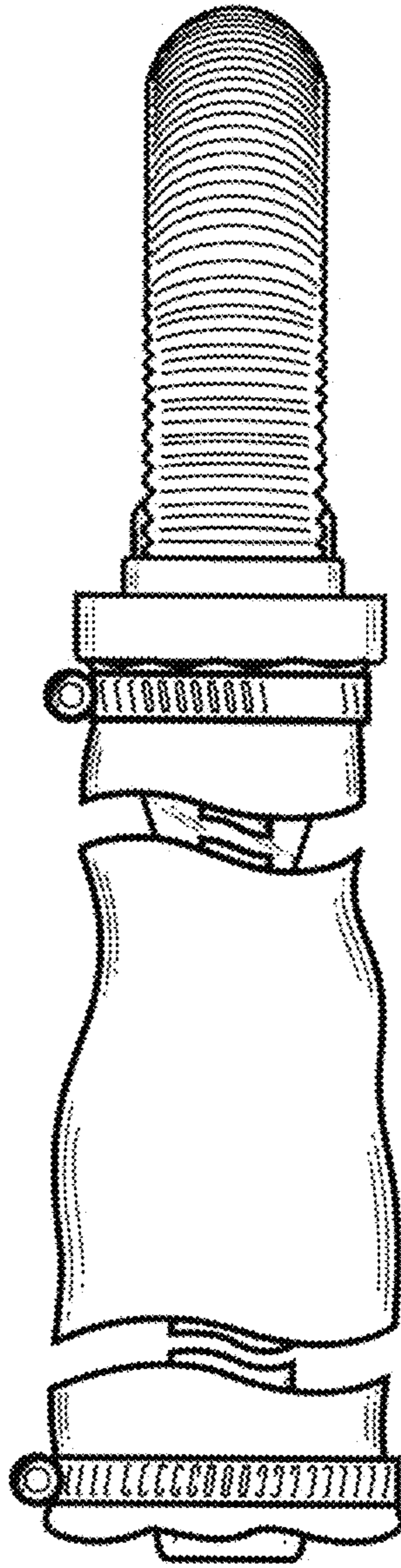
*Figure 9*



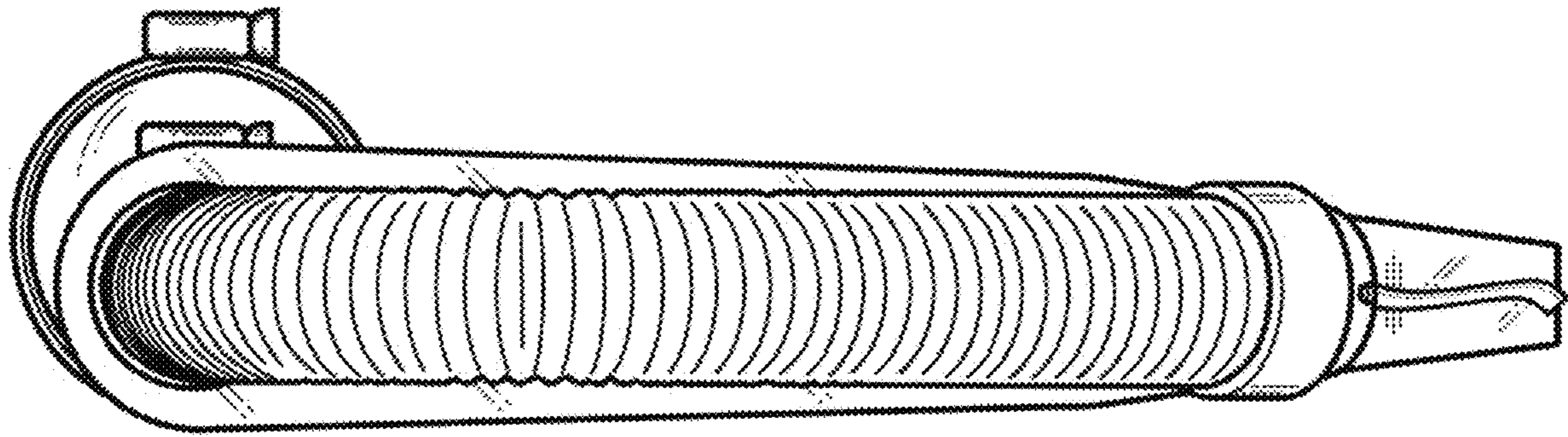
*Figure 10*



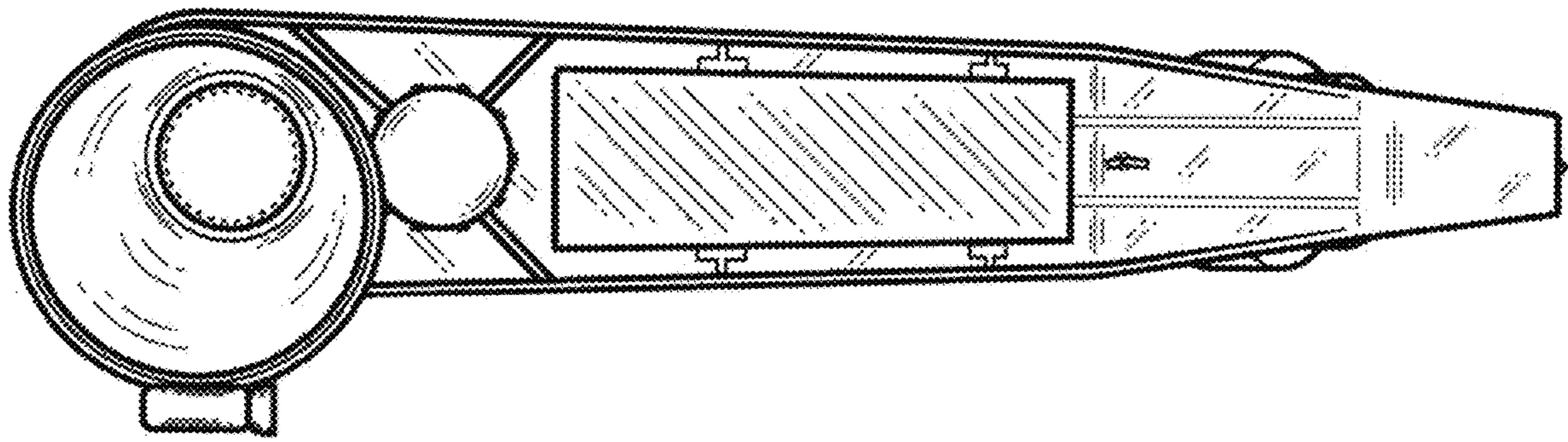
*Figure 11*



*Figure 12*

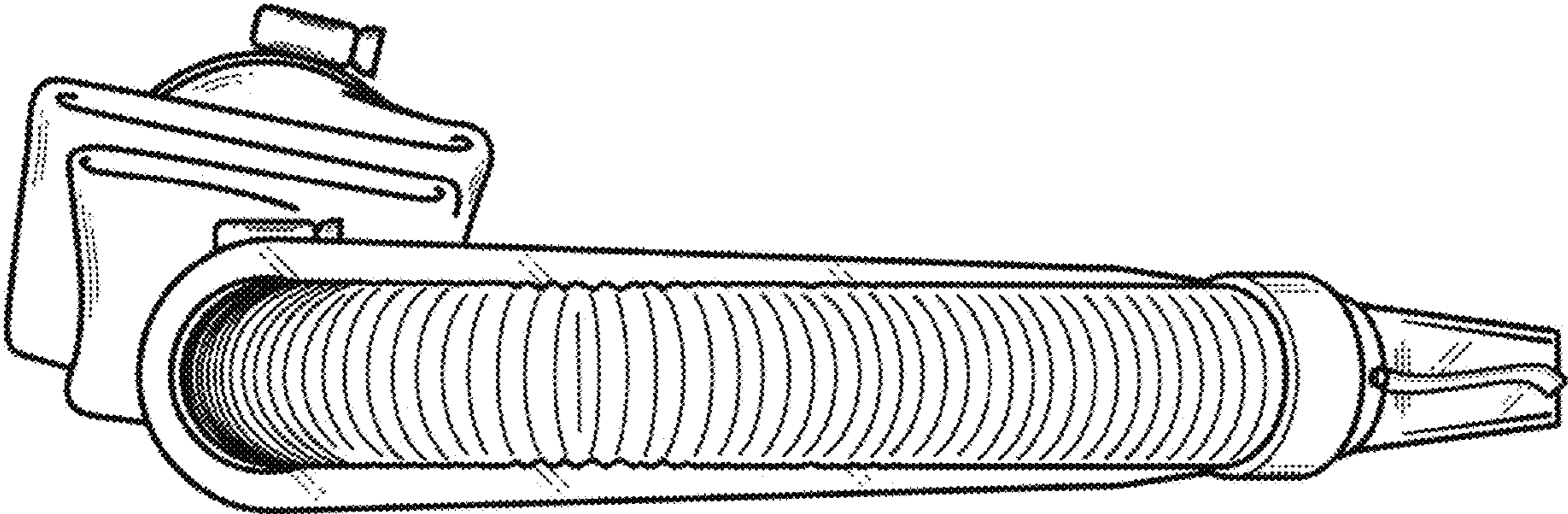


*Figure 13*

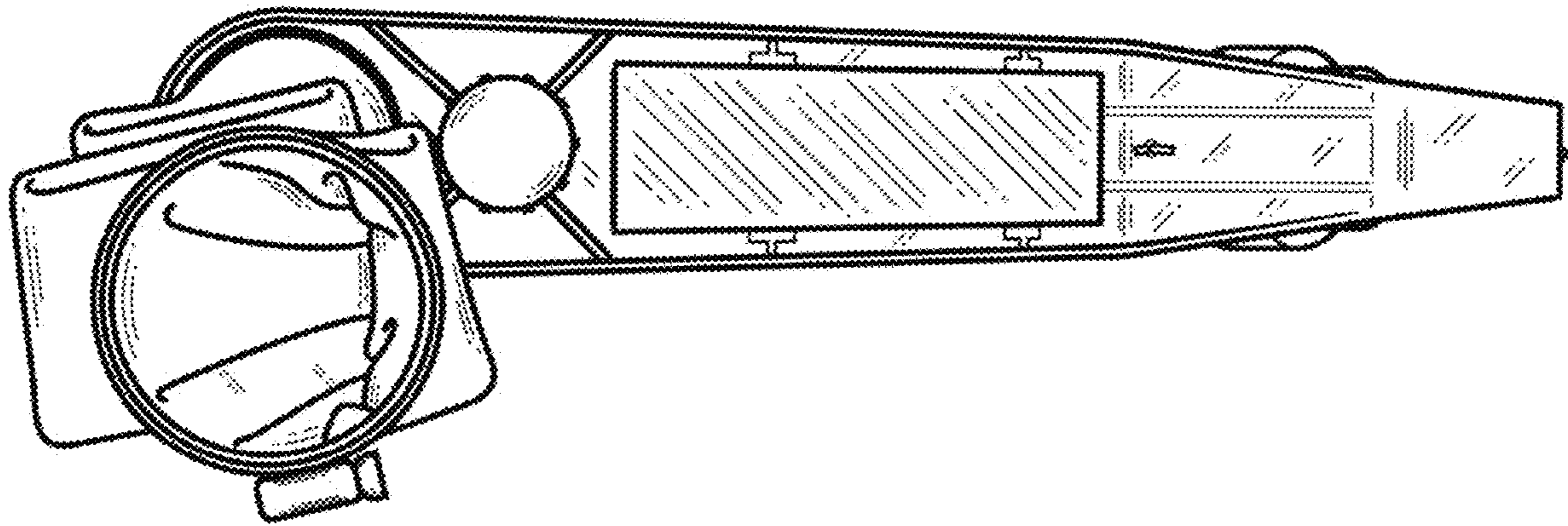


*Figure 14*





*Figure 15*



*Figure 16*