



US00D877435S

(12) **United States Design Patent**  
**Fry**

(10) **Patent No.:** **US D877,435 S**  
(45) **Date of Patent:** **\*\* Mar. 3, 2020**

- (54) **VACUUM CLEANER**
- (71) Applicant: **SHOP VAC CORPORATION,**  
Williamsport, PA (US)
- (72) Inventor: **Kevin D. Fry,** South Williamsport, PA  
(US)
- (73) Assignee: **SHOP VAC CORPORATION,**  
Williamsport, PA (US)
- (\*\*) Term: **15 Years**
- (21) Appl. No.: **29/646,841**
- (22) Filed: **May 8, 2018**
- (51) **LOC (12) Cl.** ..... **15-05**
- (52) **U.S. Cl.**  
USPC ..... **D32/34**
- (58) **Field of Classification Search**  
USPC ..... D32/21-23, 31, 34  
CPC . A47L 5/362; A47L 5/365; A47L 5/28; A47L  
5/32; A47L 5/36; A47L 7/0004; A47L  
7/0038; A47L 11/29; A47L 11/30  
See application file for complete search history.

- 8,046,868 B2 \* 11/2011 Sheddy ..... A47L 5/365  
15/323
- 8,261,406 B2 \* 9/2012 Kunz ..... A47L 5/365  
15/326
- D713,109 S \* 9/2014 Seasholtz ..... D32/31
- D756,579 S \* 5/2016 Johnson ..... D32/31

\* cited by examiner

*Primary Examiner* — Ruth McInroy

(74) *Attorney, Agent, or Firm* — Marshall, Gerstein &  
Borun LLP

(57) **CLAIM**

The ornamental design for a vacuum cleaner, as shown and described.

**DESCRIPTION**

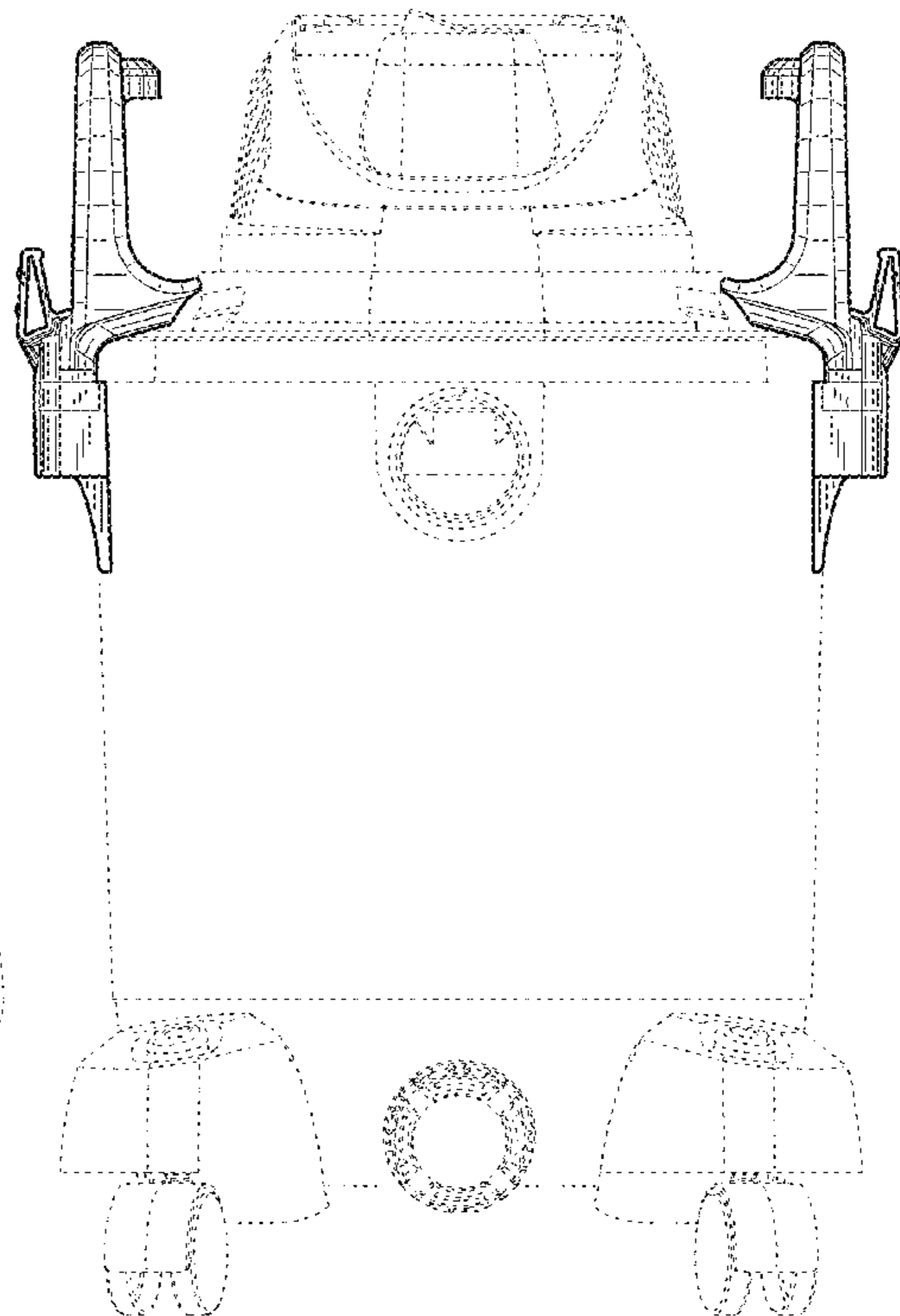
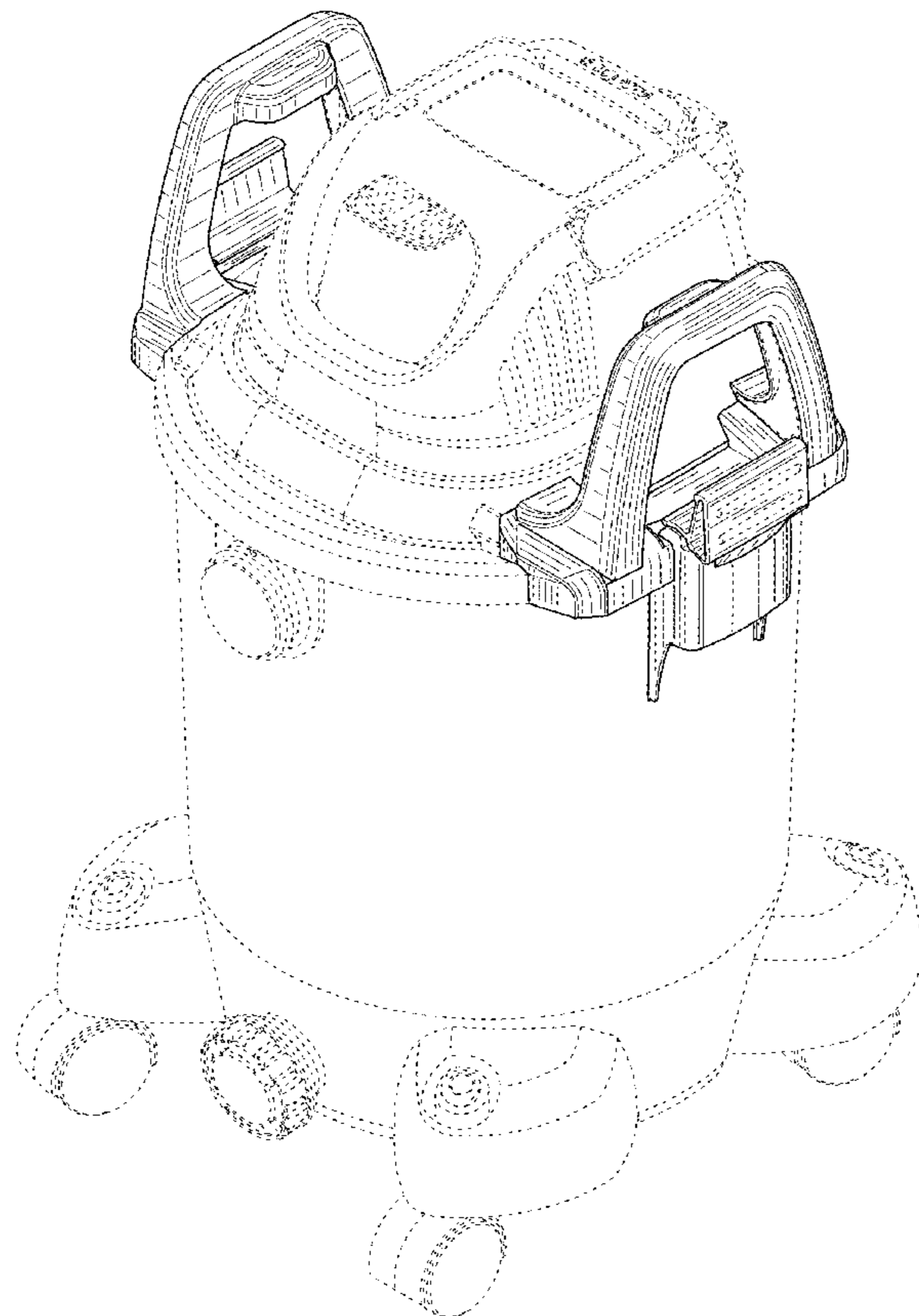
FIG. 1 is a top, right-side, and front view of a vacuum cleaner, showing the new design.  
 FIG. 2 is a front view of the vacuum cleaner.  
 FIG. 3 is a right-side view of the vacuum cleaner.  
 FIG. 4 is a left-side view of the vacuum cleaner.  
 FIG. 5 is a back view of the vacuum cleaner; and,  
 FIG. 6 is a top view of the vacuum cleaner.  
 The broken lines represent portions of the vacuum cleaner that form no part of the claimed design.

**1 Claim, 6 Drawing Sheets**

(56) **References Cited**

**U.S. PATENT DOCUMENTS**

- 7,644,469 B2 \* 1/2010 Beers ..... A47L 5/365  
15/319
- 8,037,572 B2 \* 10/2011 Phelan ..... A47L 5/365  
15/327.6



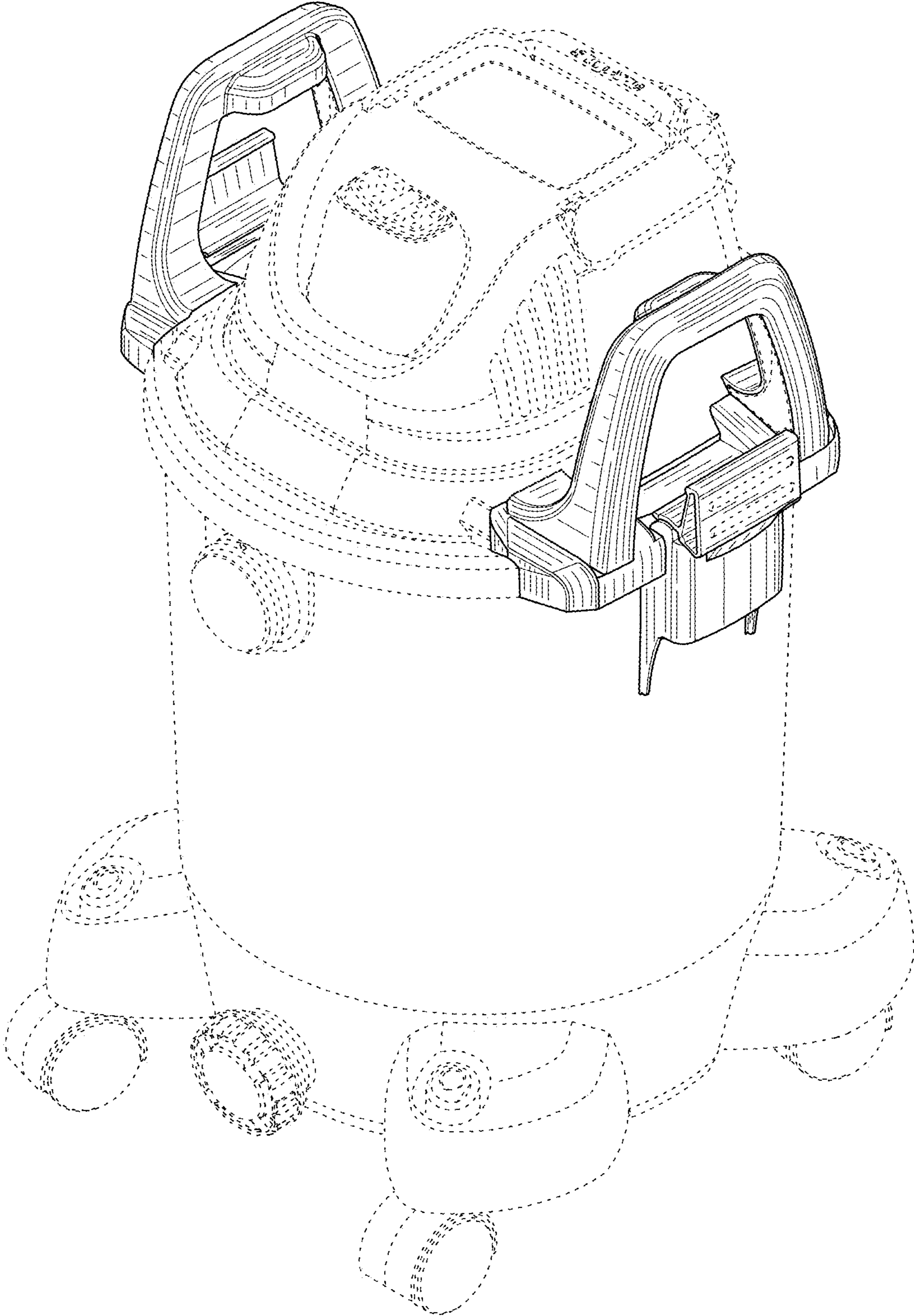


FIG. 1

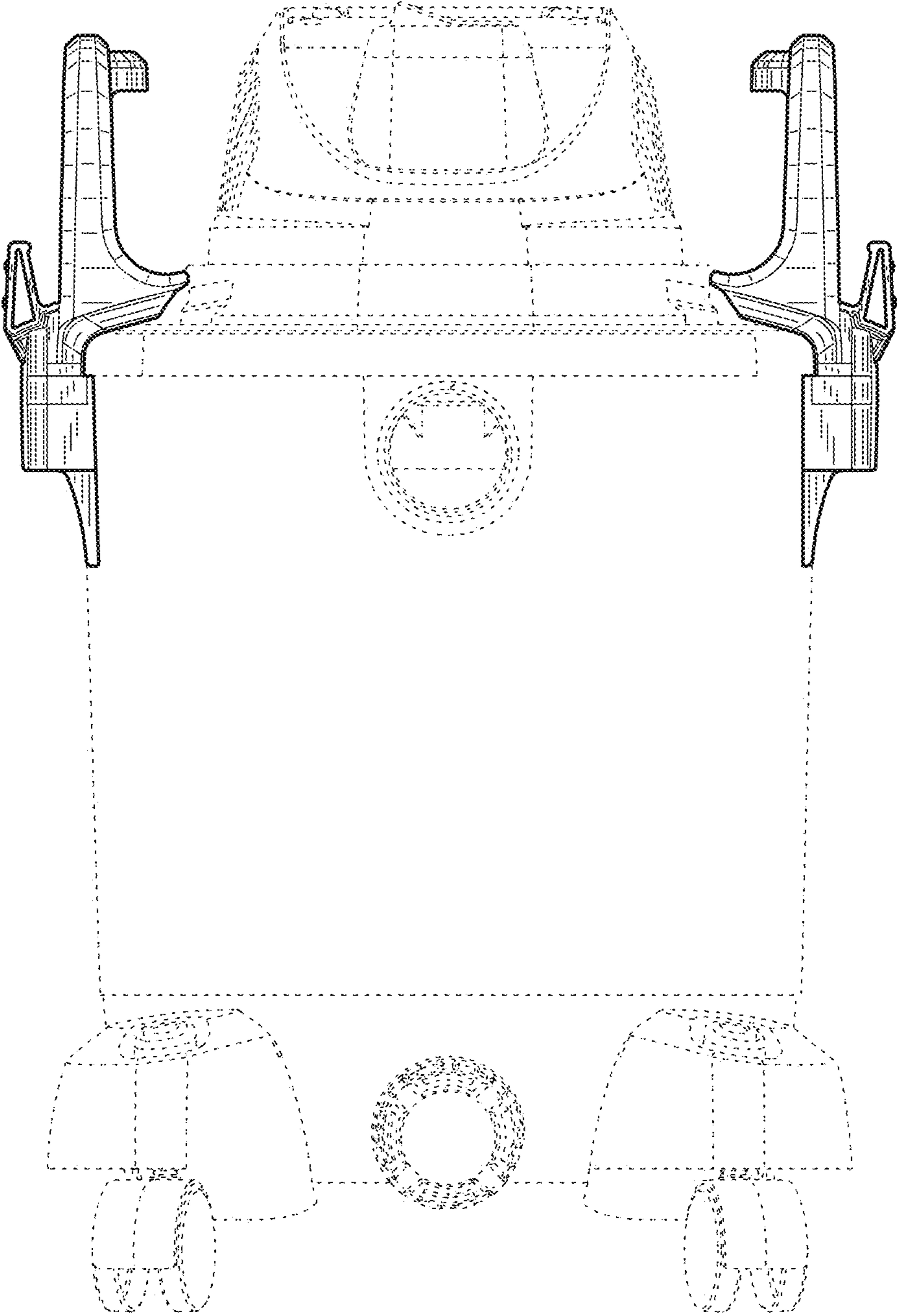


FIG. 2

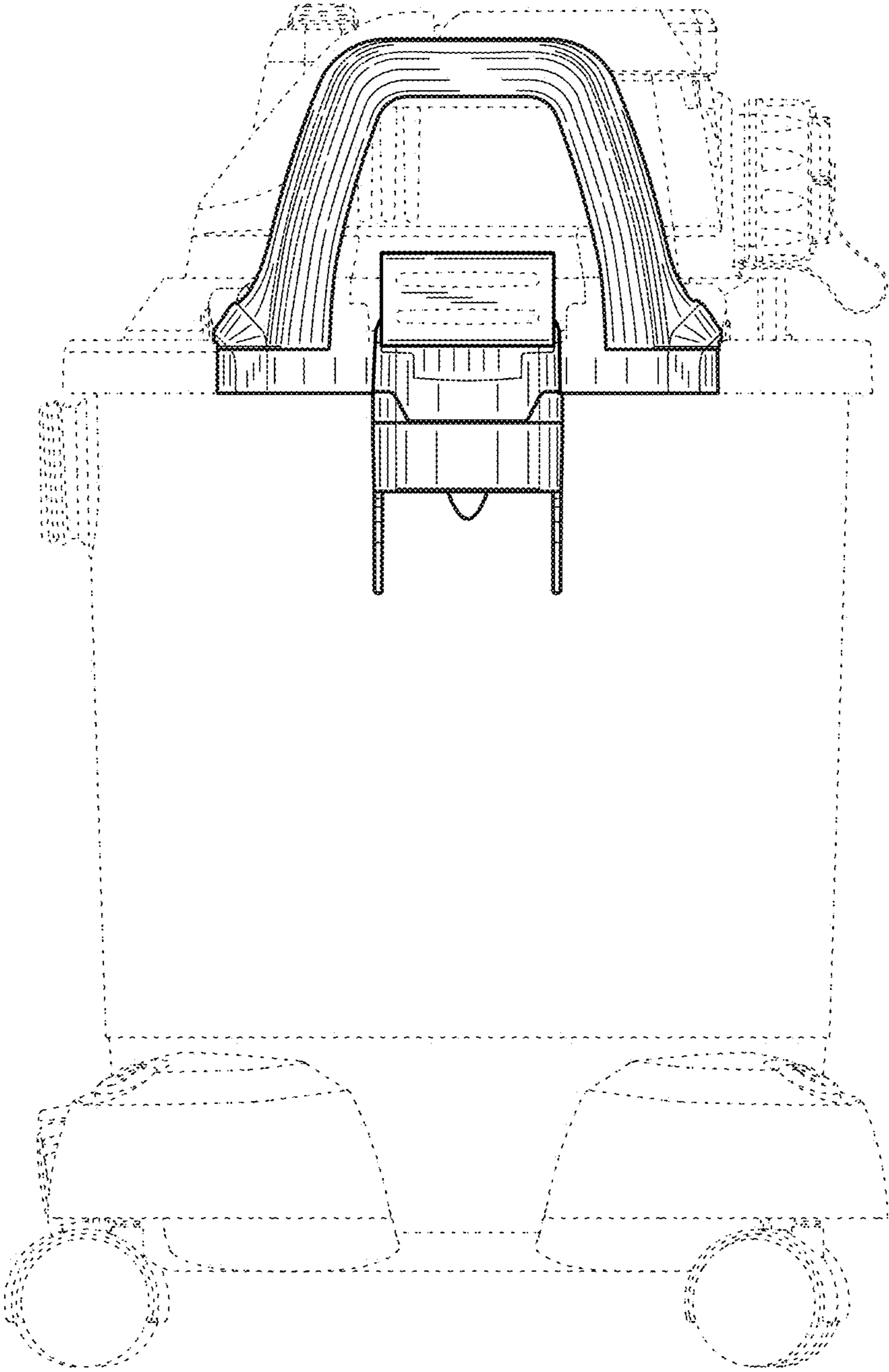


FIG. 3

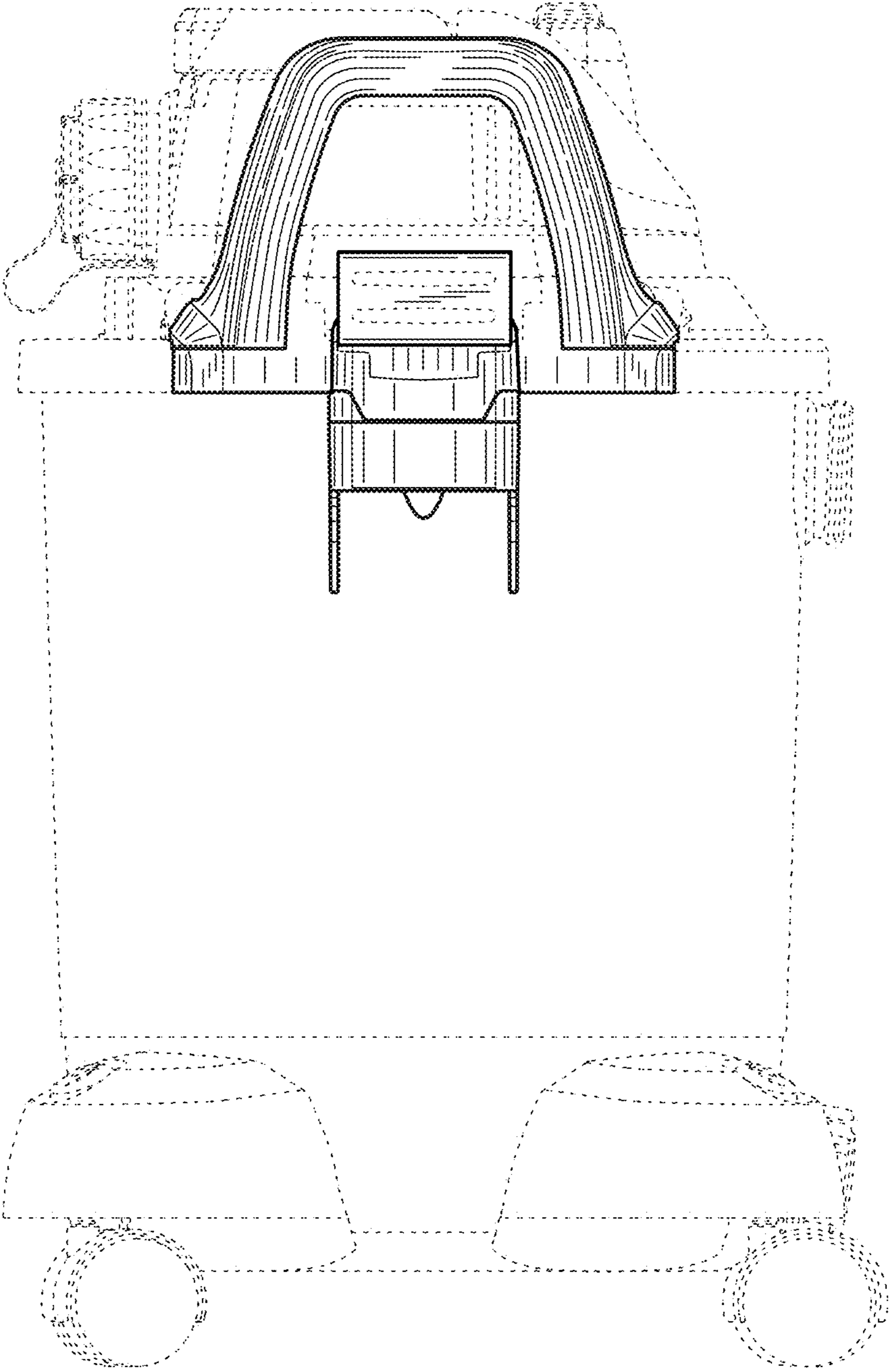


FIG. 4

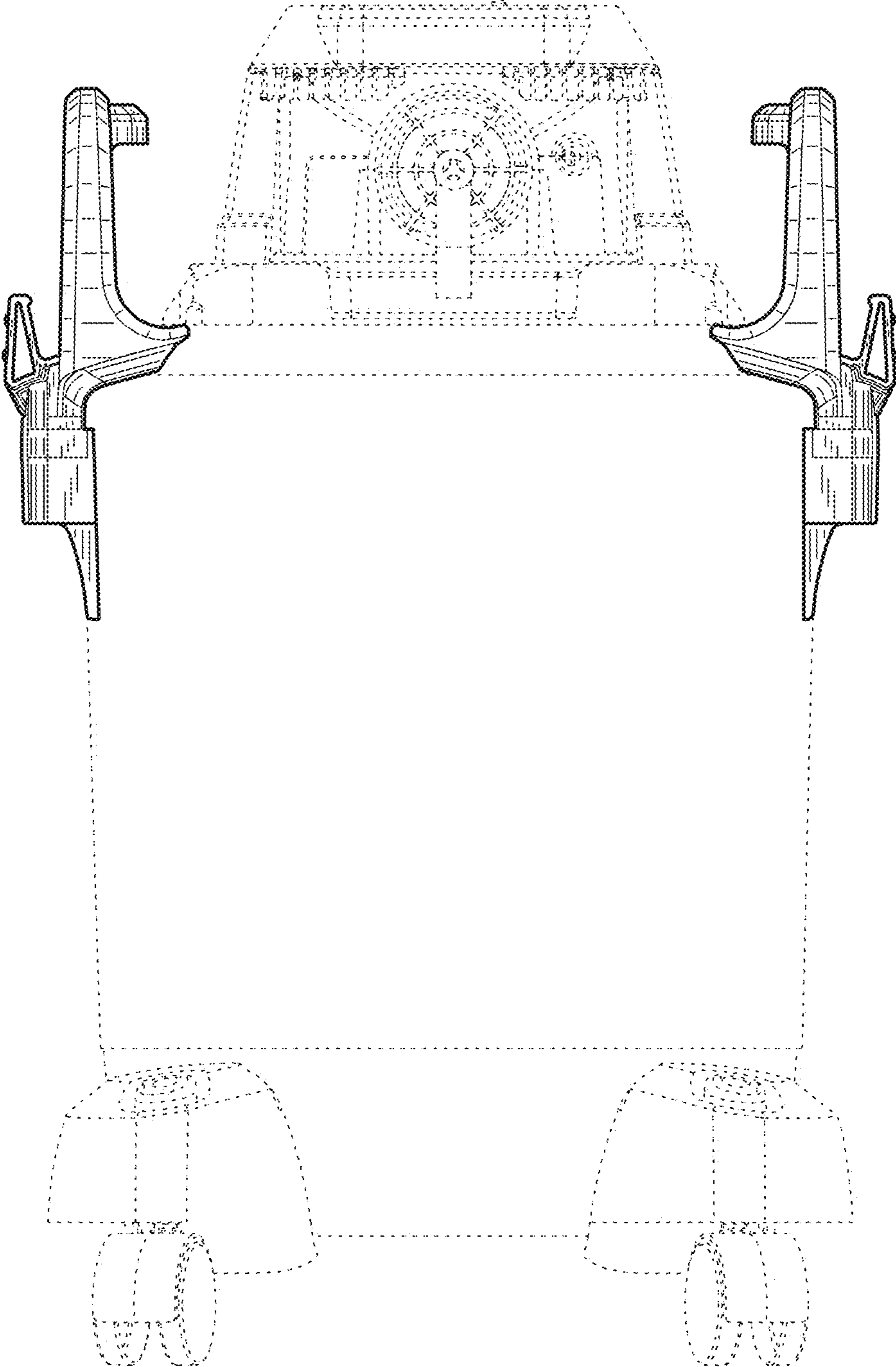


FIG. 5

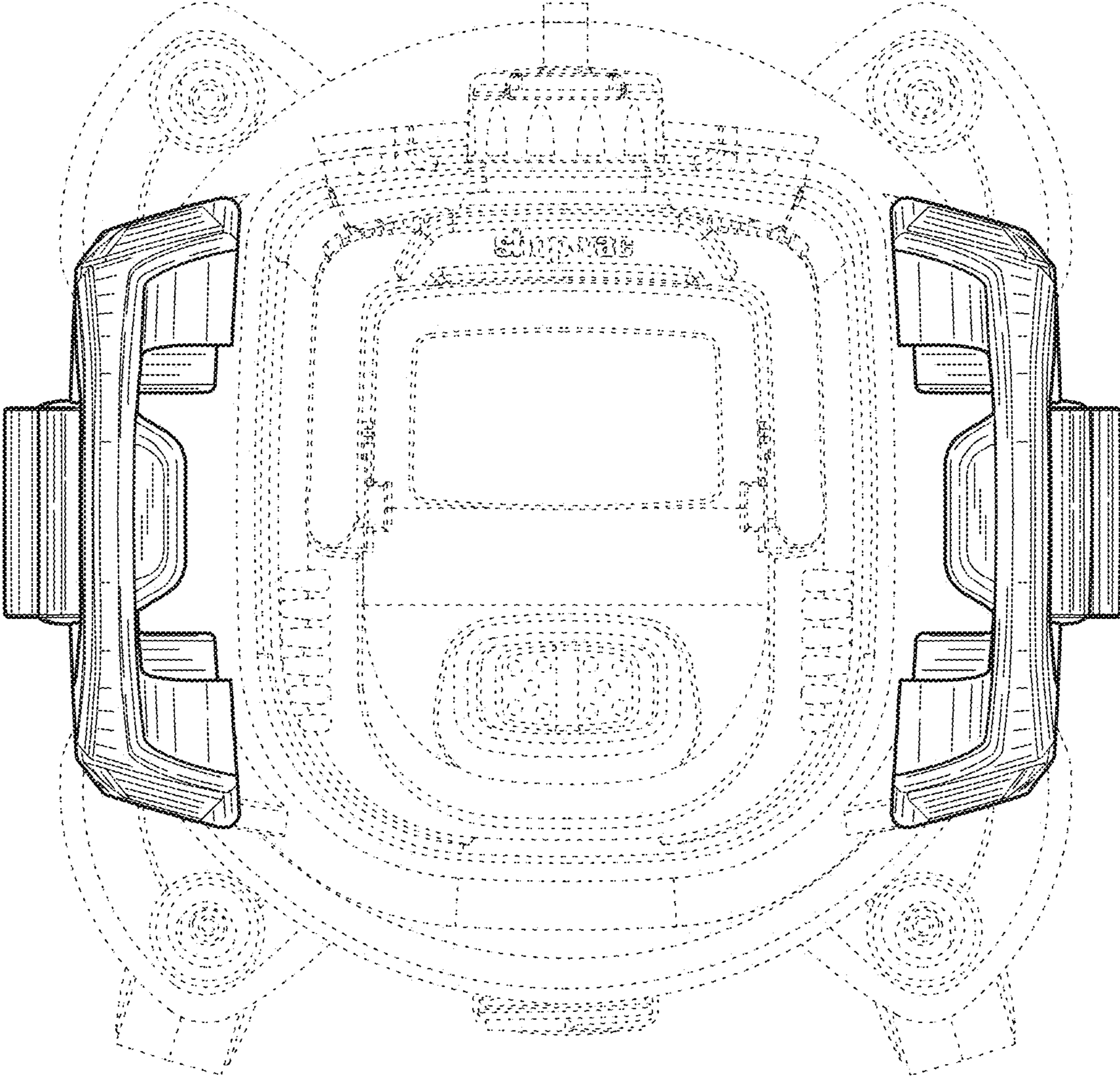


FIG. 6