

US00D877434S

(12) **United States Design Patent**  
**Burgess et al.**

(10) **Patent No.:** **US D877,434 S**  
(45) **Date of Patent:** **\*\* Mar. 3, 2020**

(54) **FOOT FOR A VACUUM CLEANER**

(71) Applicant: **TTI (Macao Commercial Offshore) Limited**, Macau (MO)

(72) Inventors: **Roderick Burgess**, Charlotte, NC (US);  
**Robert Patrick Warren**, Charlotte, NC (US)

(73) Assignee: **TTI (Macao Commercial Offshore) Limited**, Praia Grande (MO)

(\*\*) Term: **15 Years**

(21) Appl. No.: **29/646,366**

(22) Filed: **May 3, 2018**

(30) **Foreign Application Priority Data**

Nov. 3, 2017 (CN) ..... 2017 3 0537120

(51) **LOC (12) Cl.** ..... **15-05**

(52) **U.S. Cl.**  
USPC ..... **D32/31**

(58) **Field of Classification Search**  
USPC ..... D32/31-34, 22; 15/415.1  
CPC ..... A47L 9/02; A47L 9/04; A47L 9/06; A47L  
9/0461; A47L 9/325; A47L 5/362; A47L  
5/365; A47L 5/30; A47L 5/36; A47L  
5/28; A47L 5/32; A47L 11/4044; A47L  
11/302

See application file for complete search history.

(56) **References Cited**

**U.S. PATENT DOCUMENTS**

D440,019 S \* 4/2001 Mehaffey ..... D32/32  
D473,687 S \* 4/2003 Kaffenberger ..... D32/33  
D495,106 S \* 8/2004 Leyden ..... D32/32  
D536,495 S \* 2/2007 Porter ..... D32/32  
D537,220 S \* 2/2007 Porter ..... D32/32

D594,612 S \* 6/2009 Umeda ..... D32/32  
D618,873 S \* 6/2010 Ayers ..... D32/33  
D635,728 S \* 4/2011 Fjellman ..... D32/22  
D682,496 S \* 5/2013 Bassett ..... D32/22  
D718,913 S \* 12/2014 Ashbee ..... D32/32  
D719,309 S \* 12/2014 Ashbee ..... D32/33  
D742,607 S \* 11/2015 Crawley ..... D32/32  
D762,031 S \* 7/2016 Niedzwecki ..... D32/32  
D776,889 S \* 1/2017 Yoneda ..... D32/32  
D796,136 S \* 8/2017 Reynolds ..... D32/33  
9,737,184 B2 \* 8/2017 Kim ..... A47L 9/02  
9,924,842 B2 \* 3/2018 Gu ..... A47L 5/30  
D830,016 S \* 10/2018 Lim ..... D32/22  
D833,092 S \* 11/2018 Samtani ..... D32/22  
D837,470 S \* 1/2019 Palladino ..... D32/33  
D838,067 S \* 1/2019 Irfan ..... A47L 5/26  
D32/22  
D839,521 S \* 1/2019 Hribar-Green ..... D32/33  
D846,821 S \* 4/2019 Palladino ..... D32/32

\* cited by examiner

*Primary Examiner* — Ruth McInroy

(74) *Attorney, Agent, or Firm* — Michael Best & Friedrich LLP

(57) **CLAIM**

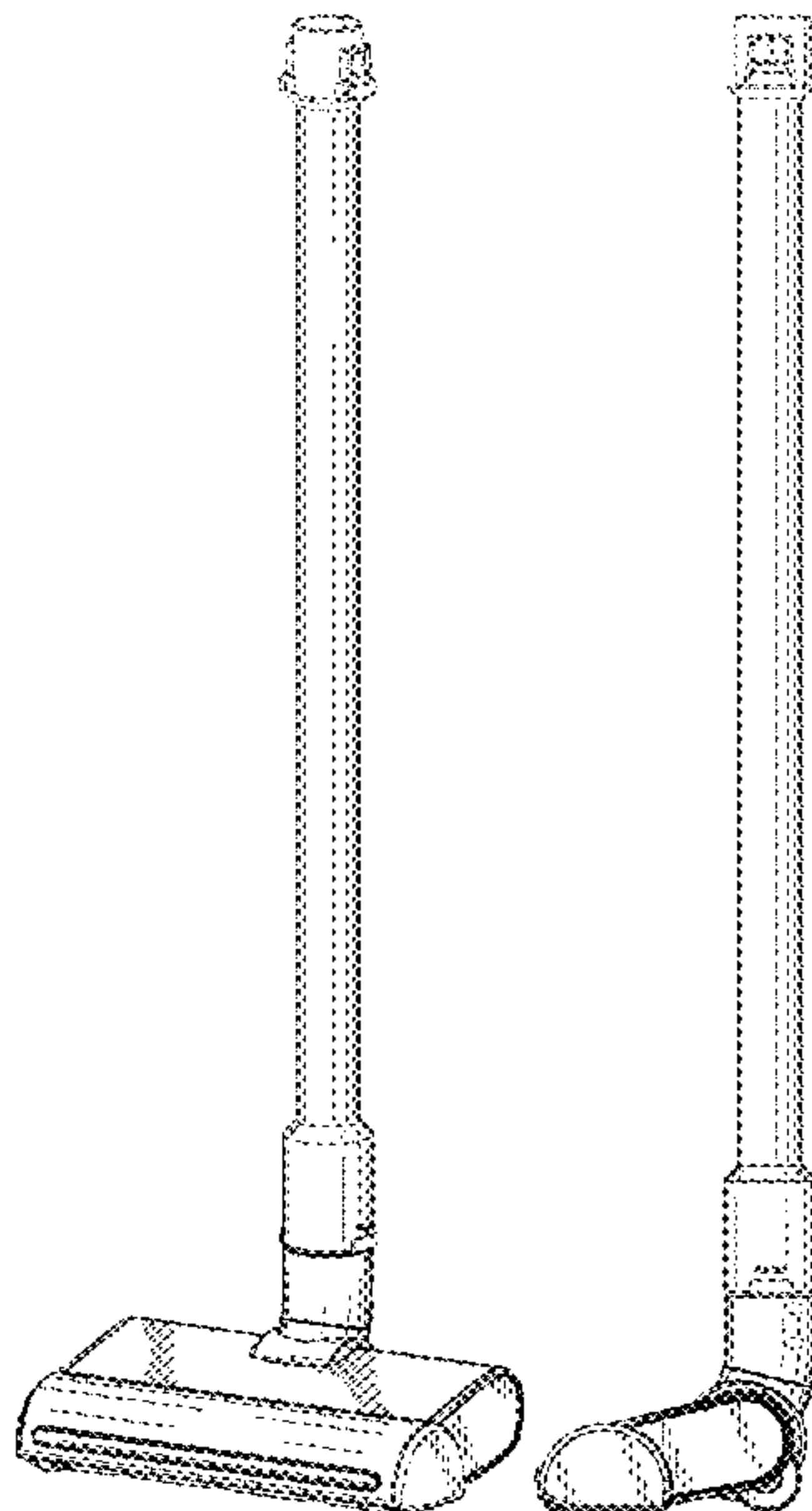
We claim the ornamental design for a foot for a vacuum cleaner, as shown and described.

**DESCRIPTION**

FIG. 1 is a front perspective view of a foot for a vacuum cleaner showing our new design;  
FIG. 2 is a front view thereof;  
FIG. 3 is a rear view thereof;  
FIG. 4 is a right side view thereof;  
FIG. 5 is a left side view thereof;  
FIG. 6 is a top view thereof; and,  
FIG. 7 is a bottom view thereof.

The elements shown in broken lines form no part of the claimed design.

**1 Claim, 6 Drawing Sheets**



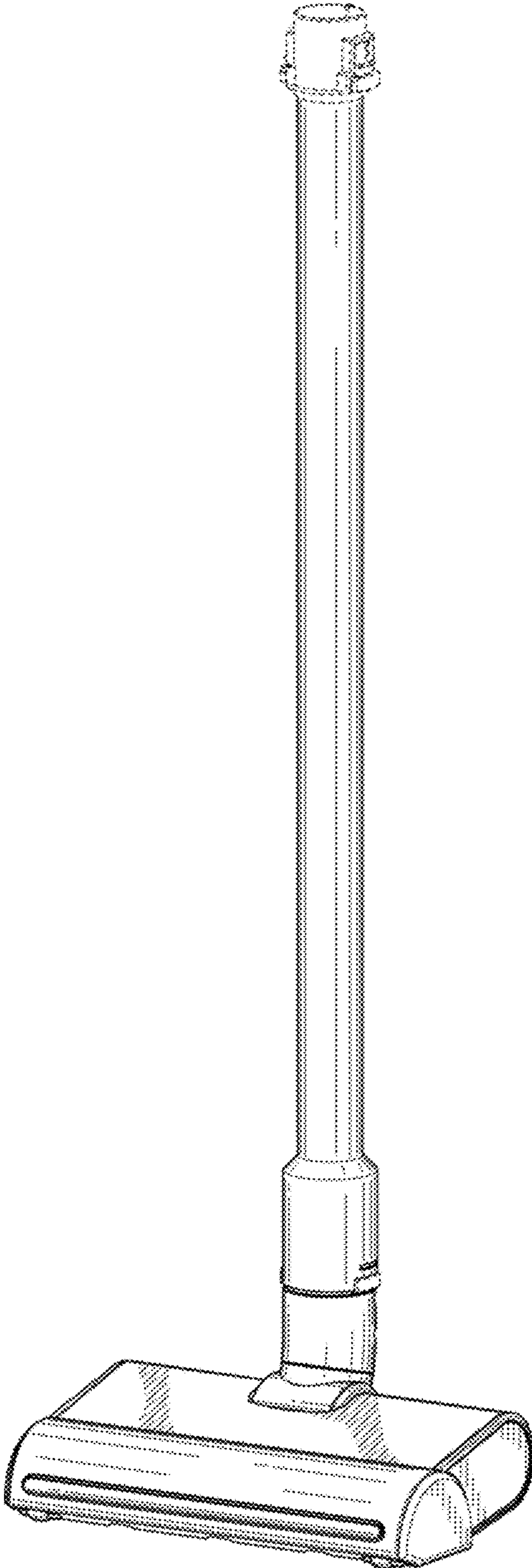


Fig. 1

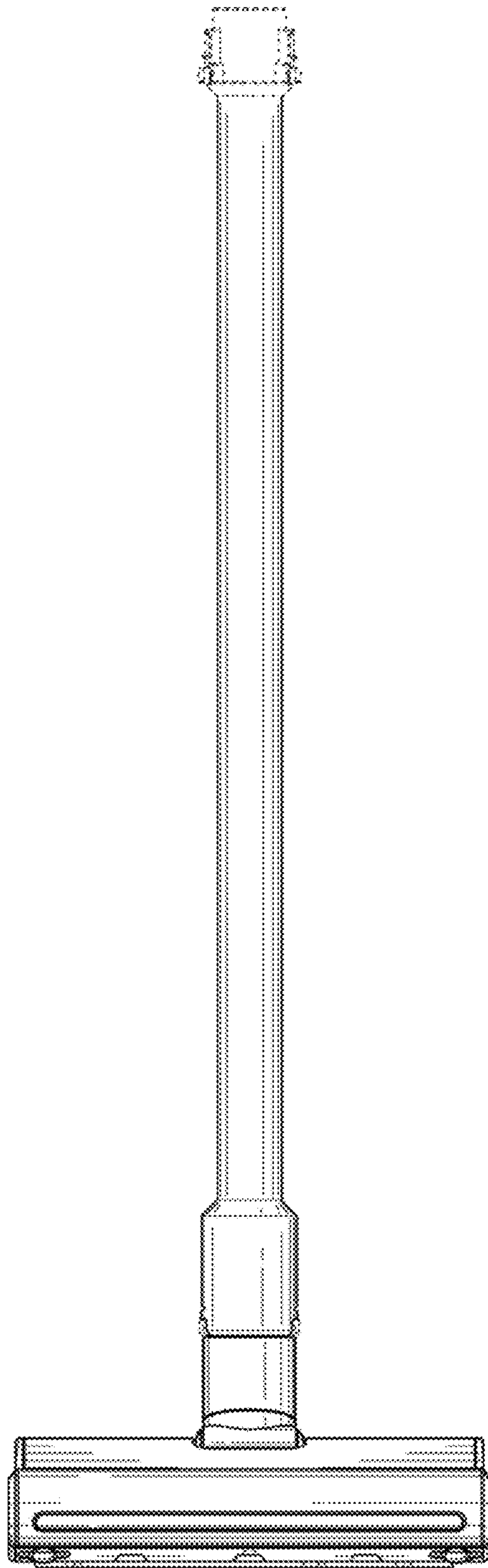


Fig. 2

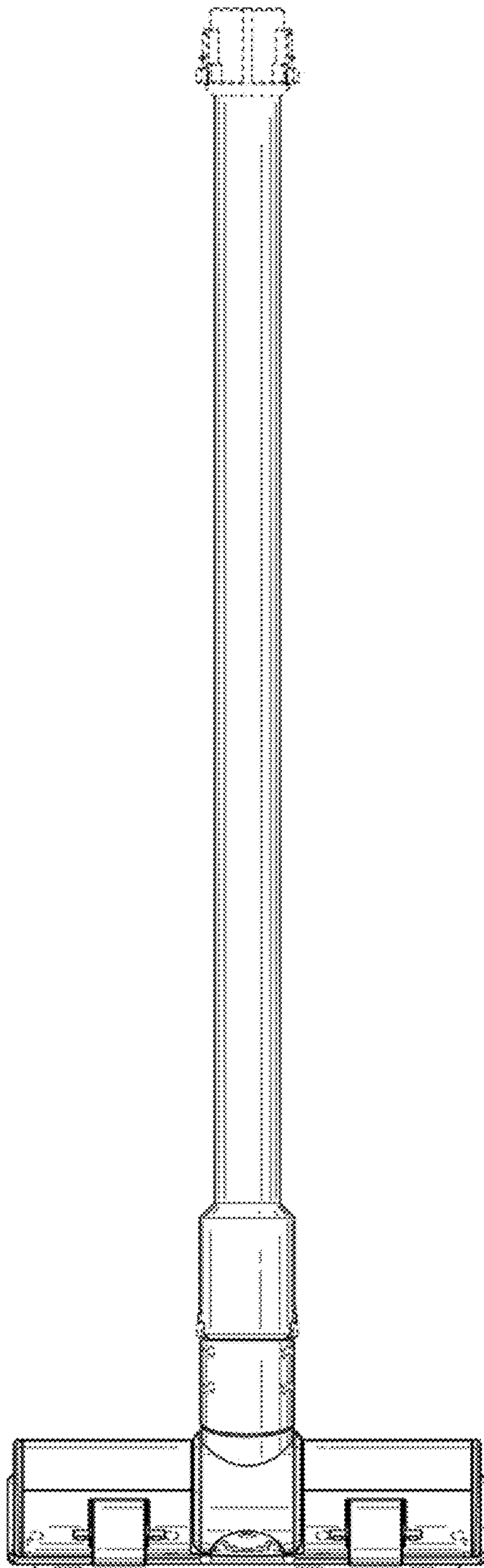


Fig. 3

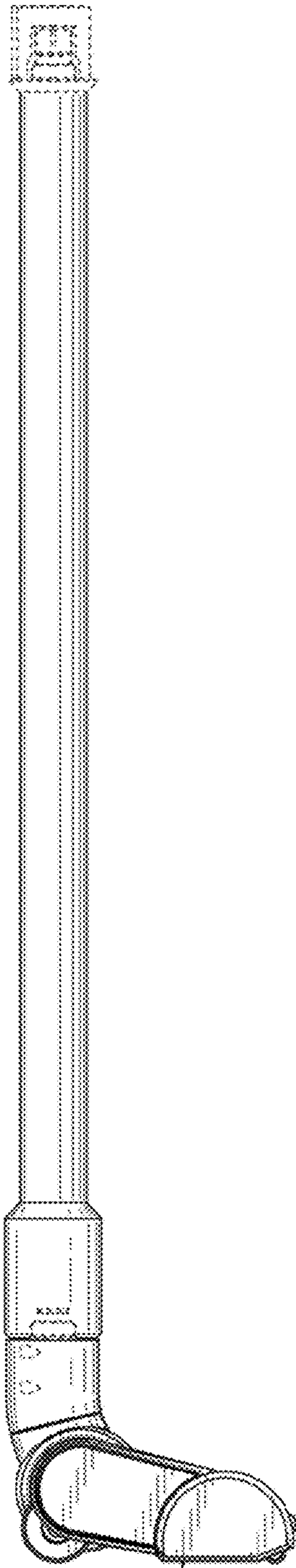


Fig. 4



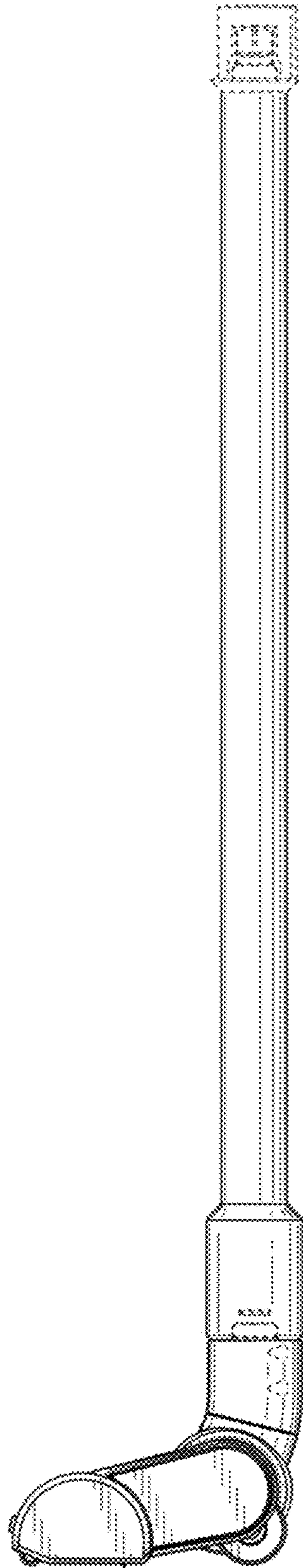


Fig. 5

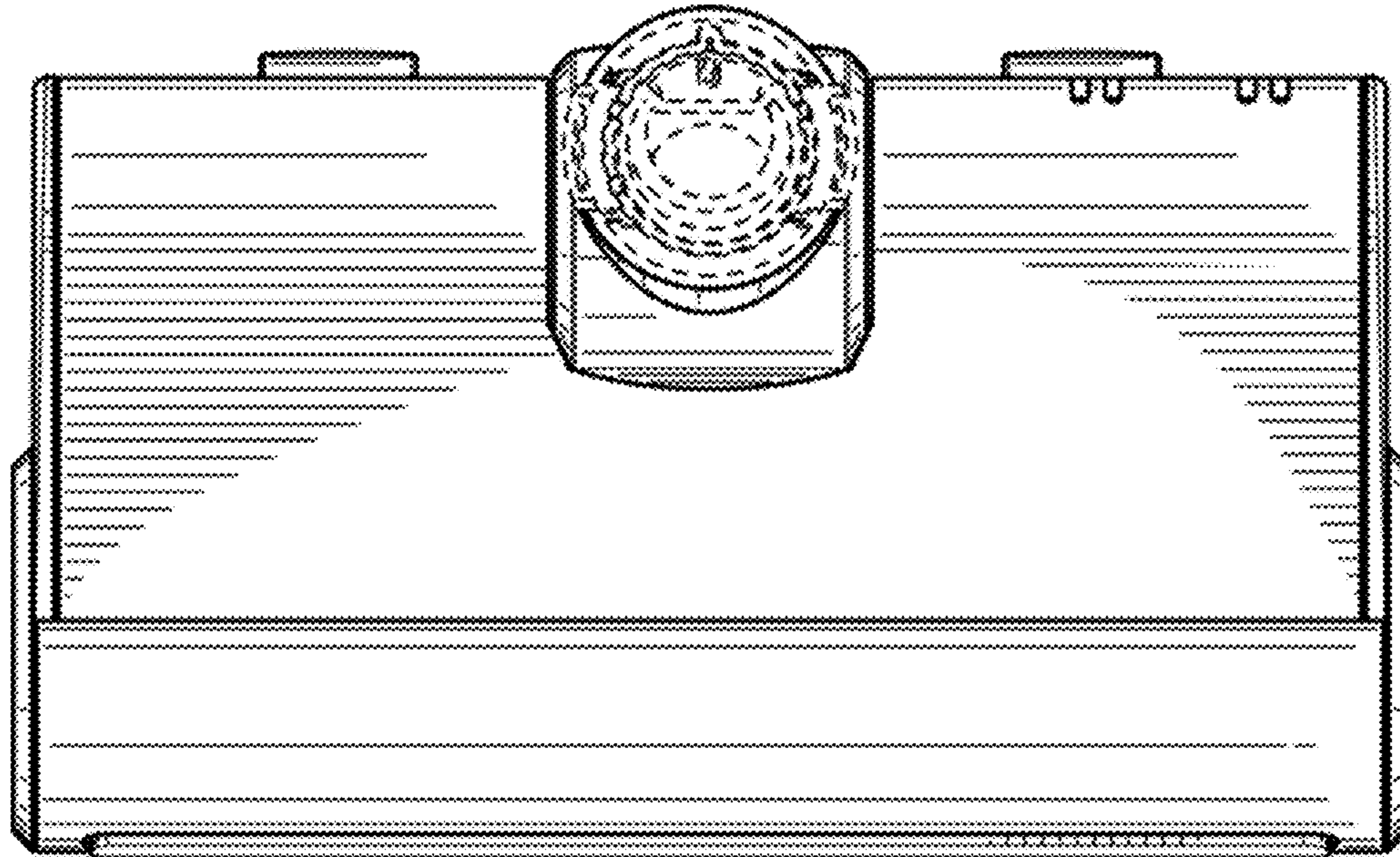


Fig. 6

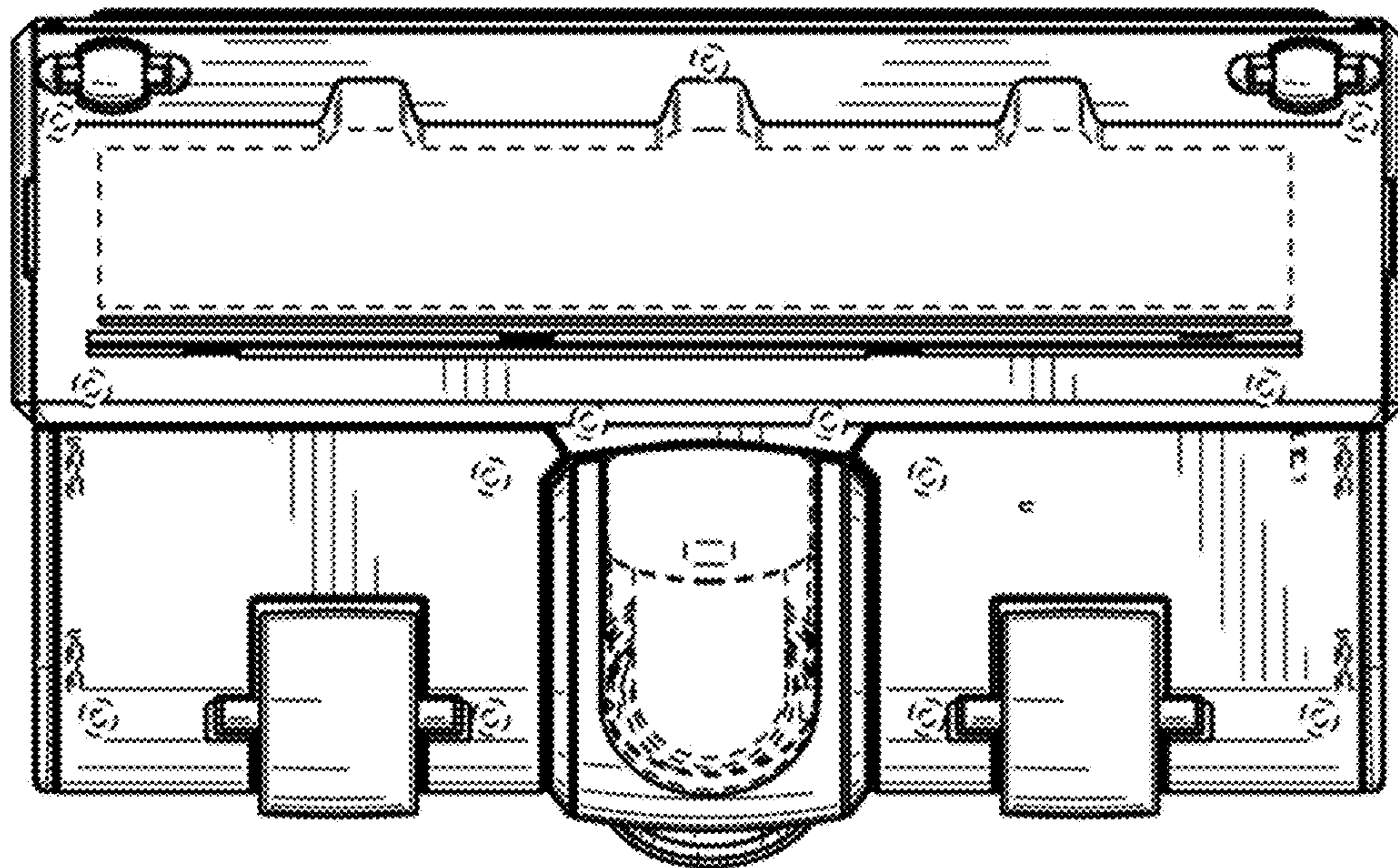


Fig. 7