



US00D877433S

(12) **United States Design Patent**
Fry

(10) **Patent No.:** **US D877,433 S**

(45) **Date of Patent:** **** Mar. 3, 2020**

(54) **VACUUM CLEANER**

(71) Applicant: **SHOP VAC CORPORATION,**
Williamsport, PA (US)

(72) Inventor: **Kevin D. Fry,** South Williamsport, PA
(US)

(73) Assignee: **SHOP VAC CORPORATION,**
Williamsport, PA (US)

(**) Term: **15 Years**

(21) Appl. No.: **29/646,029**

(22) Filed: **May 1, 2018**

(51) **LOC (12) Cl.** **15-05**

(52) **U.S. Cl.**
USPC **D32/31**

(58) **Field of Classification Search**
USPC D32/21, 23-24, 31
CPC . A47L 5/362; A47L 5/365; A47L 5/28; A47L
5/32; A47L 5/36; A47L 7/0004; A47L
7/0038; A47L 11/29; A47L 11/30
See application file for complete search history.

(56) **References Cited**

U.S. PATENT DOCUMENTS

D528,718 S * 9/2006 Tomasiak D32/21
7,165,290 B2 * 1/2007 Martinez A47L 5/365
15/327.6

D568,013 S * 4/2008 Crevling, Jr. D32/23
D581,111 S * 11/2008 DiPasquale D32/21
D587,868 S * 3/2009 DiPasquale D32/21
D615,258 S * 5/2010 Dammkoehler D32/23
D655,872 S * 3/2012 Jin D32/21
D660,529 S * 5/2012 Dammkoehler D32/21
D675,388 S * 1/2013 Buck D32/21
9,271,620 B2 * 3/2016 Meredith A47L 5/365
D806,332 S * 12/2017 Griffin D32/21

* cited by examiner

Primary Examiner — Ruth McInroy

(74) *Attorney, Agent, or Firm* — Marshall, Gerstein &
Borun LLP

(57) **CLAIM**

The ornamental design for a vacuum cleaner, as shown and described.

DESCRIPTION

FIG. 1 is a top, right-side, and front view of a vacuum cleaner, showing the new design.

FIG. 2 is a front view of the vacuum cleaner.

FIG. 3 is a right-side view of the vacuum cleaner.

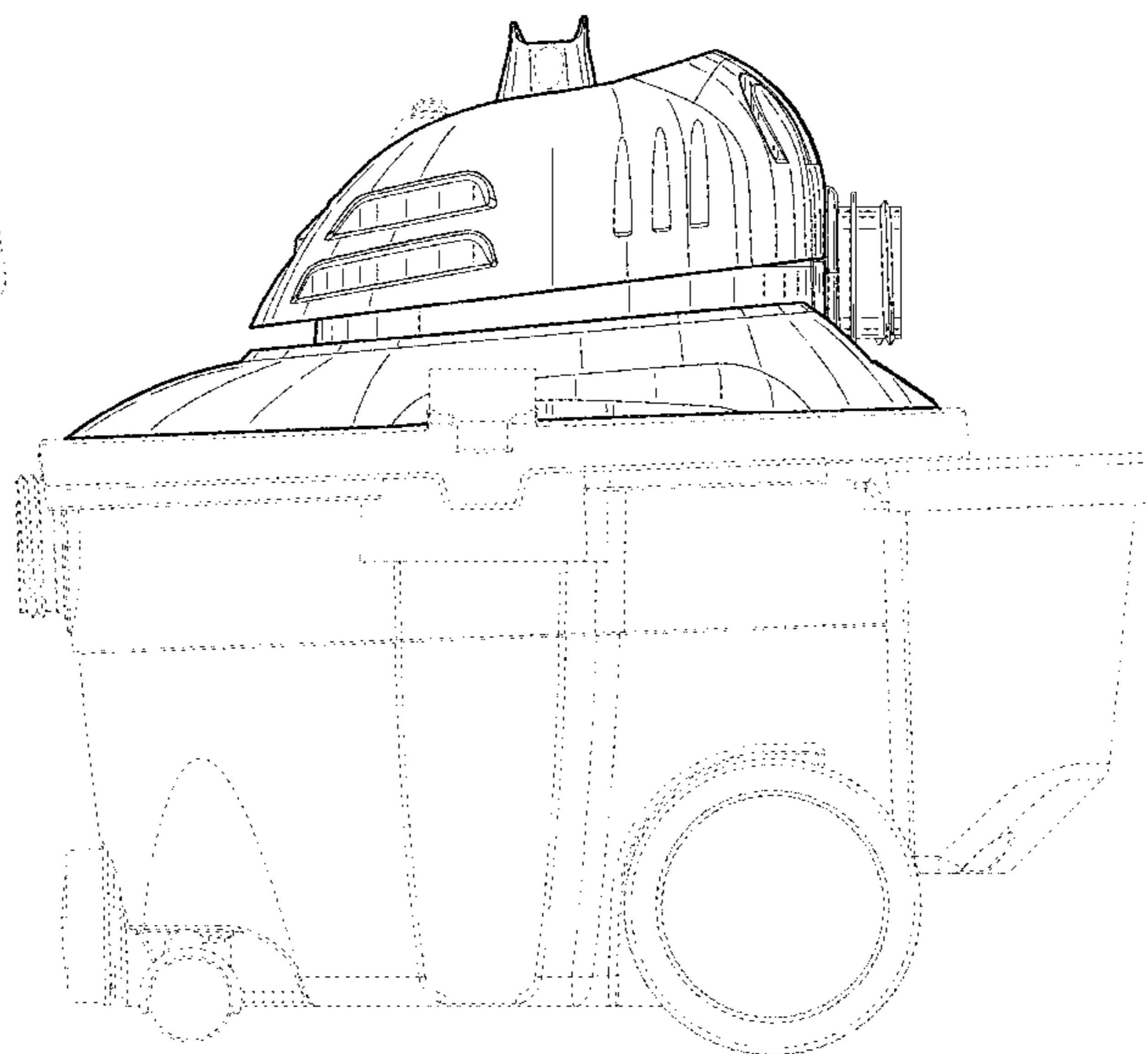
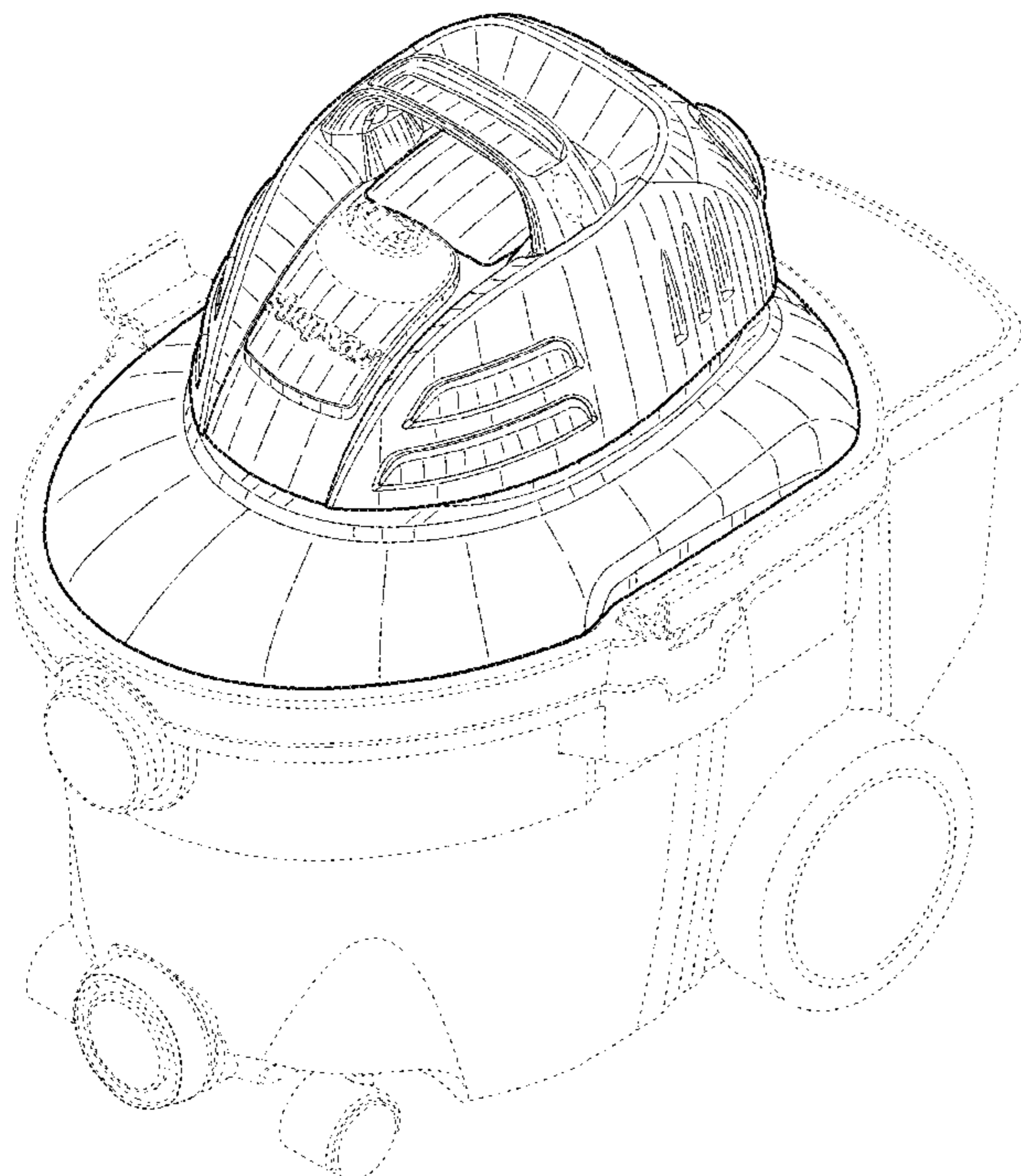
FIG. 4 is a left-side view of the vacuum cleaner.

FIG. 5 is a back view of the vacuum cleaner; and,

FIG. 6 is a top view of the vacuum cleaner.

The broken lines represent portions of the vacuum cleaner that form no part of the claimed design.

1 Claim, 6 Drawing Sheets



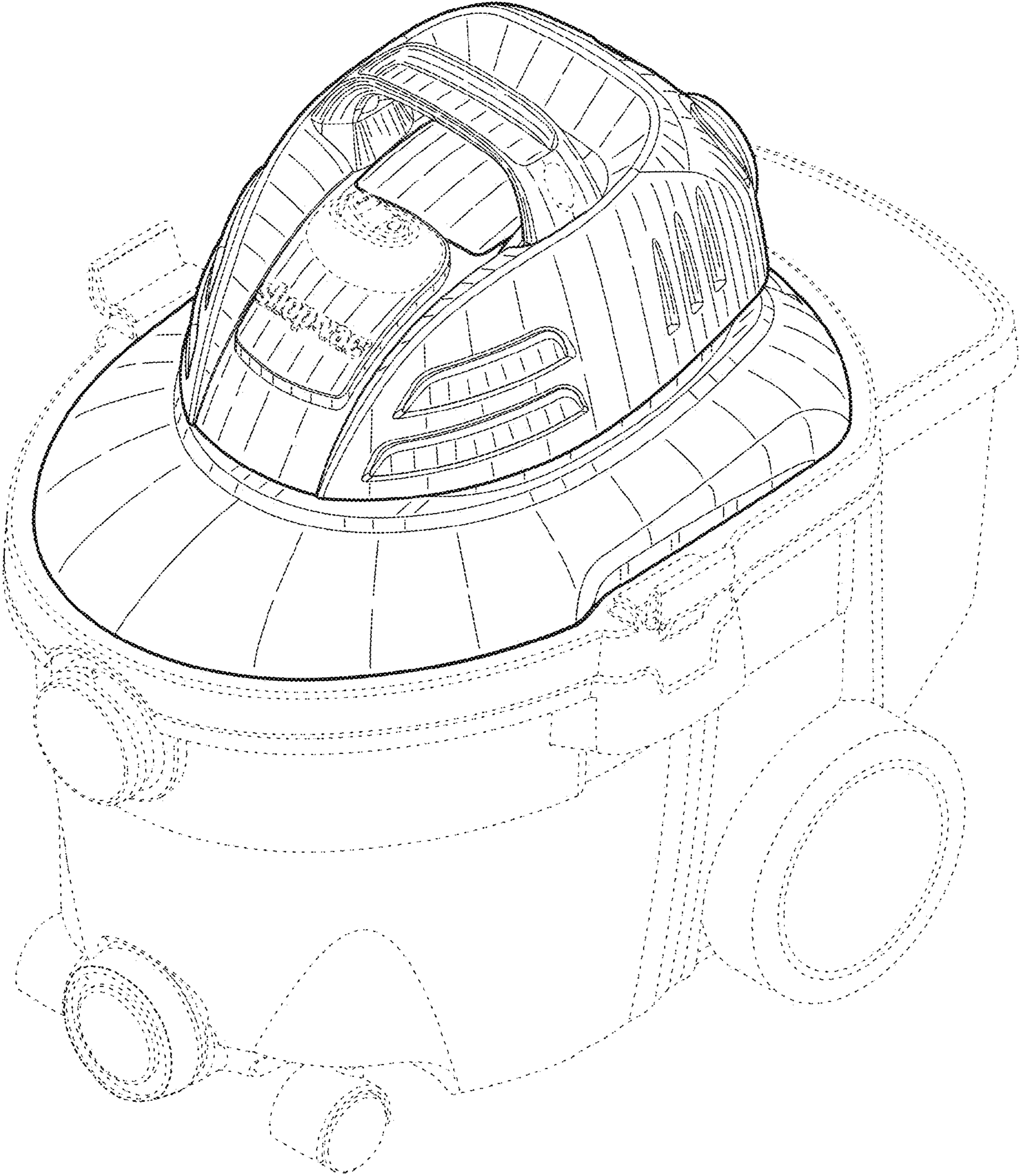


FIG. 1

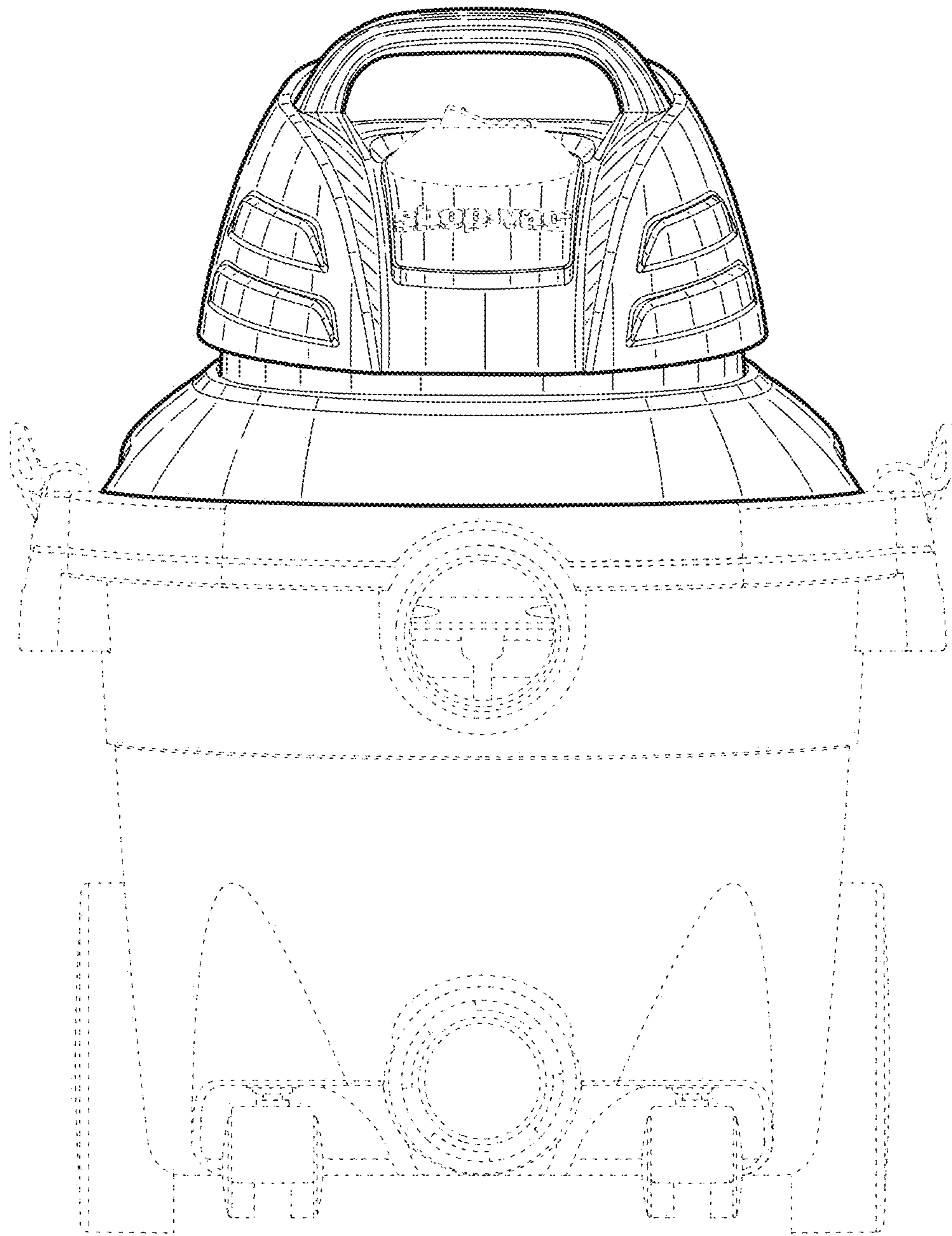


FIG. 2

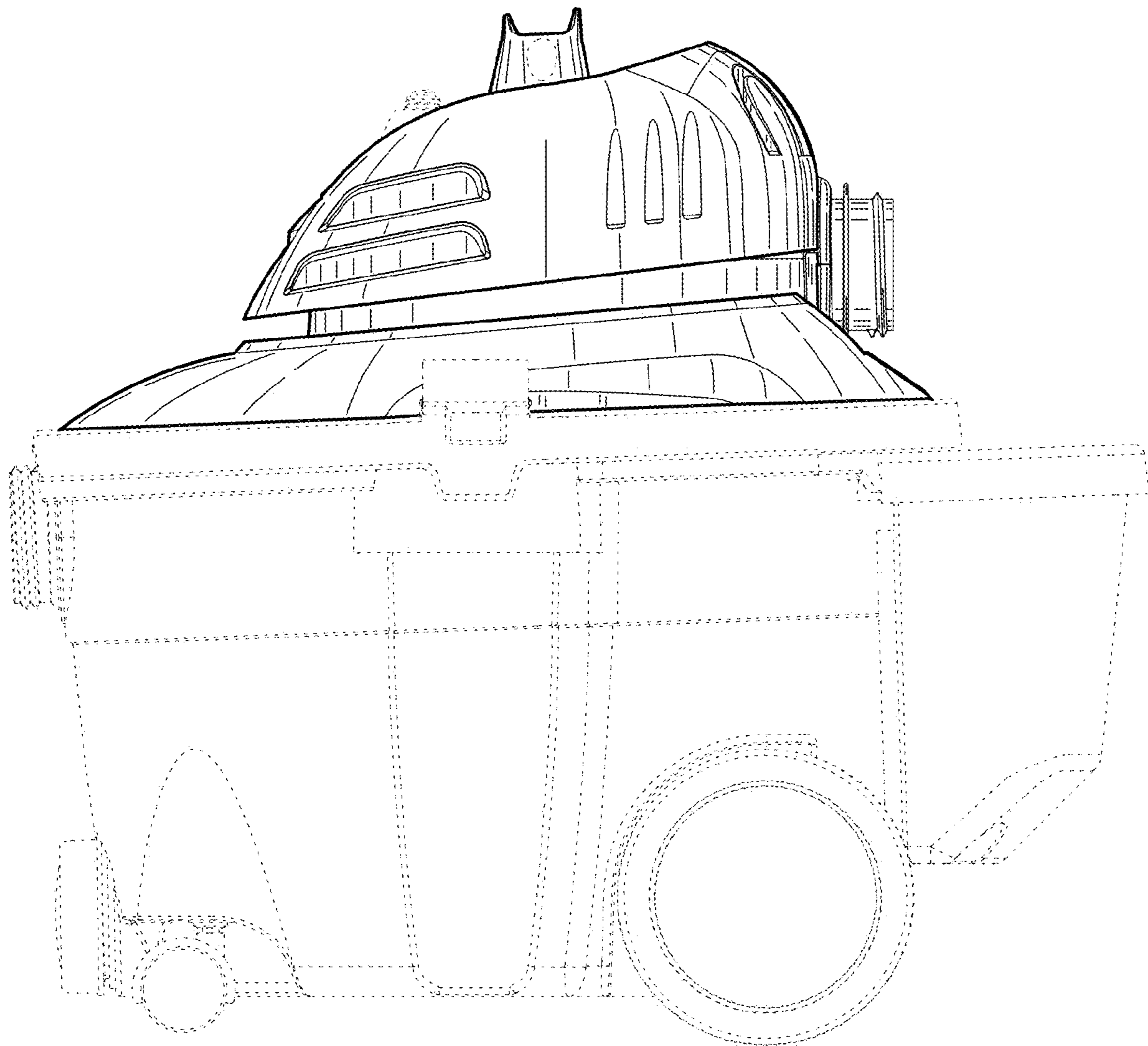


FIG. 3

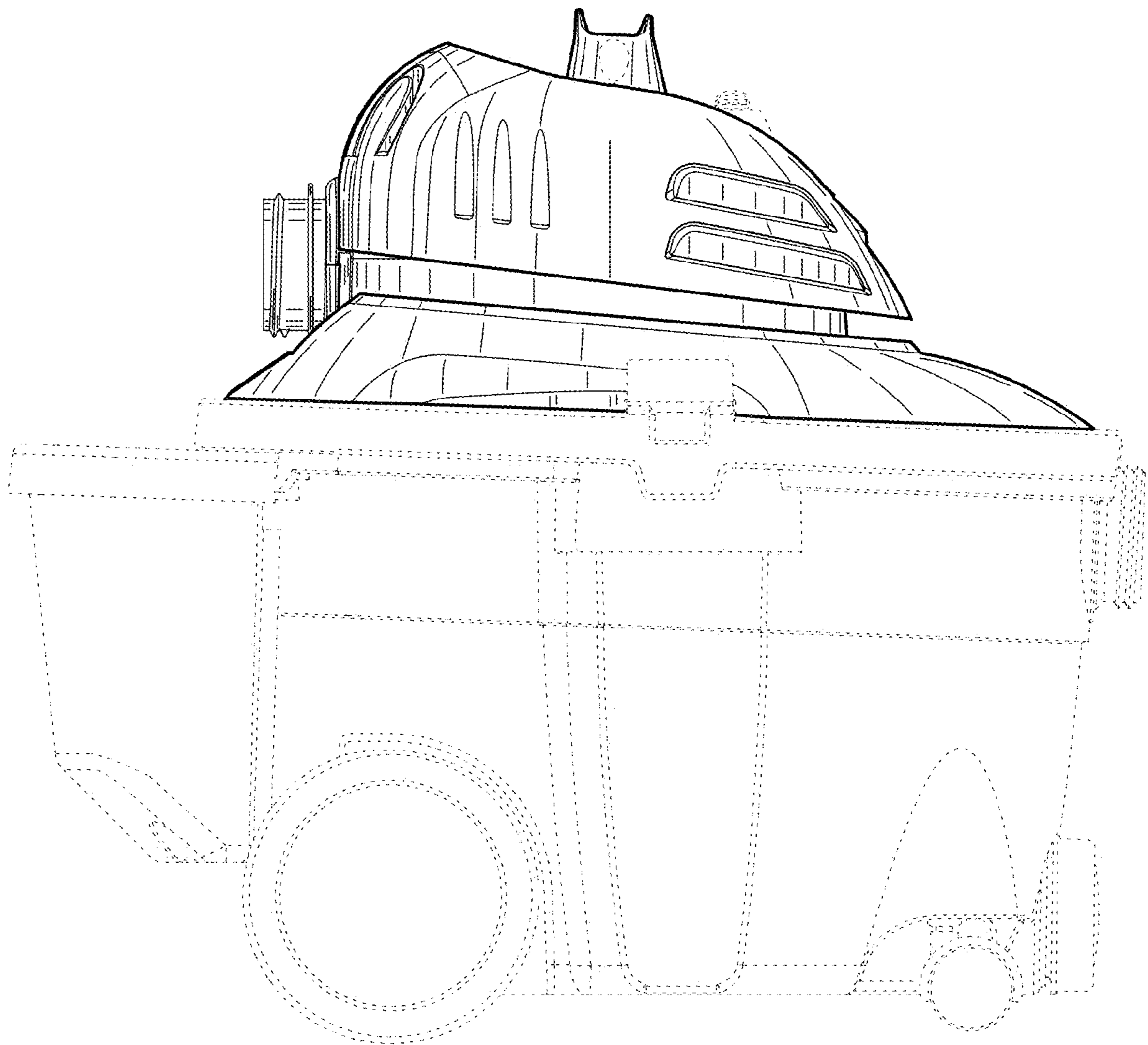


FIG. 4

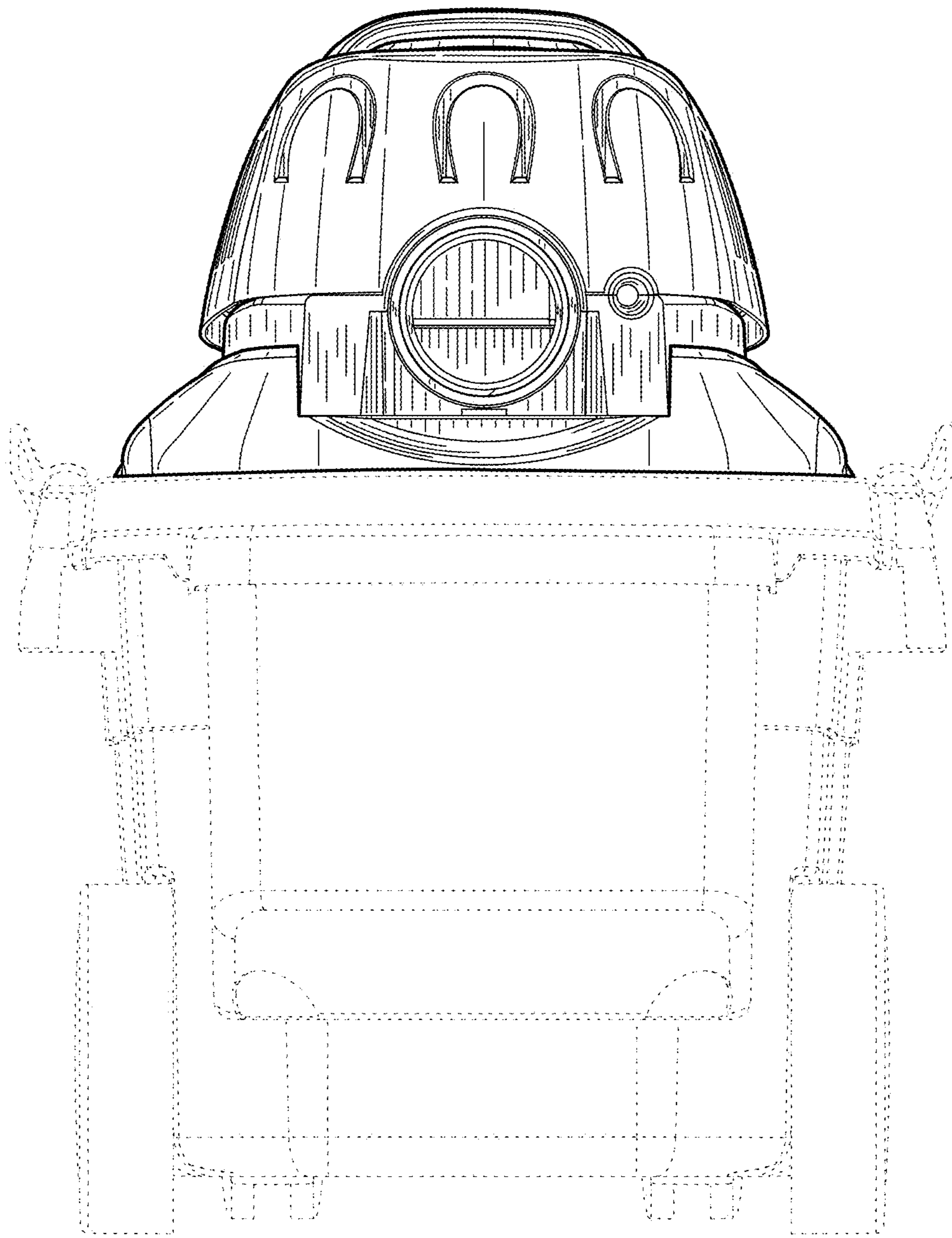


FIG. 5

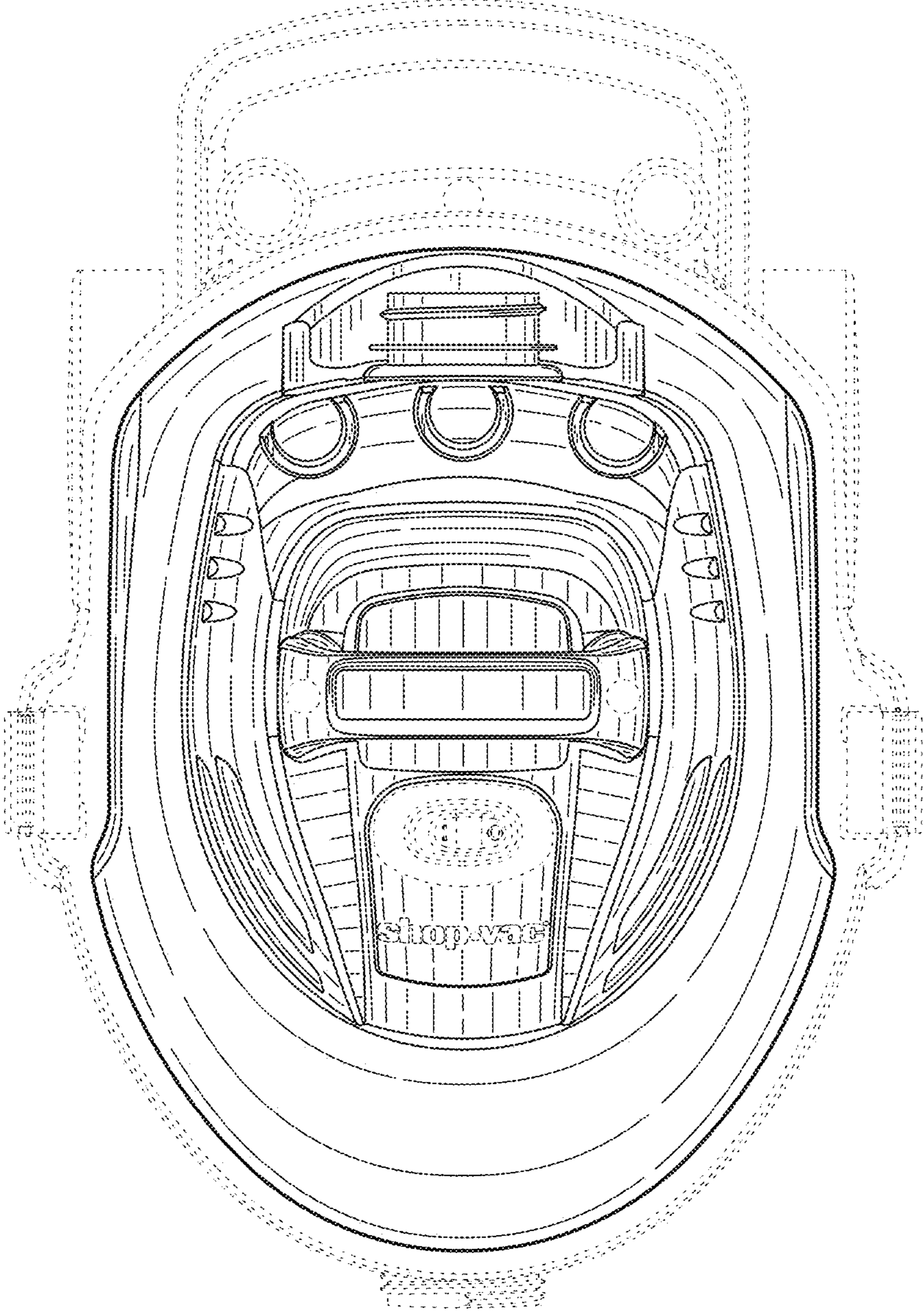


FIG. 6