



US00D877432S

(12) **United States Design Patent**
Hopke et al.

(10) **Patent No.:** **US D877,432 S**
(45) **Date of Patent:** **** Mar. 3, 2020**

(54) **BUMPER FOR ROBOTIC VACUUM CLEANER**

D660,530 S * 5/2012 Geringer D32/21
D665,547 S 8/2012 Nam et al.
D669,235 S * 10/2012 Bassett D32/21
D670,877 S 11/2012 Geringer et al.
D690,478 S * 9/2013 Li D32/21

(71) Applicant: **SHARKNINJA OPERATING LLC**,
Needham, MA (US)

(Continued)

(72) Inventors: **Frederick K. Hopke**, Medway, MA (US); **Andre D. Brown**, Natick, MA (US); **Charles Fiebig**, Needham, MA (US); **Isaku Kamada**, Needham, MA (US); **Lee M. Cottrell**, Newton, MA (US)

FOREIGN PATENT DOCUMENTS

JP 1475310 S 7/2013
JP 1541696 S 1/2016

(Continued)

(73) Assignee: **SharkNinja Operating LLC**,
Needham, MA (US)

OTHER PUBLICATIONS

Tokusengai, Jan. 3, 2016, vol. 38, No. 2, p. 60 (Roomba, Publicly known document No. HA28001207 of JPO Design Division), listed on JP Notice of References received with Notice of Allowance issued May 17, 2018 in JP Application No. 2018-001435, 2 pgs.

(Continued)

(**) Term: **15 Years**

Primary Examiner — Ruth McInroy

(21) Appl. No.: **29/616,605**

(22) Filed: **Sep. 7, 2017**

(51) **LOC (12) Cl.** **15-05**

(52) **U.S. Cl.**
USPC **D32/31**

(58) **Field of Classification Search**
USPC D32/21, 31; D13/108–109; 15/319
CPC E04H 4/1654; A47L 2201/00; A47L 2201/02; A47L 2201/04; A47L 2201/06; A47L 9/0461; A47L 9/2805; B25J 9/1694
See application file for complete search history.

(74) *Attorney, Agent, or Firm* — Grossman Tucker Perreault & Pfeleger, PLLC

(57) **CLAIM**

We claim the ornamental design for a bumper for a robotic vacuum cleaner, as shown and described.

DESCRIPTION

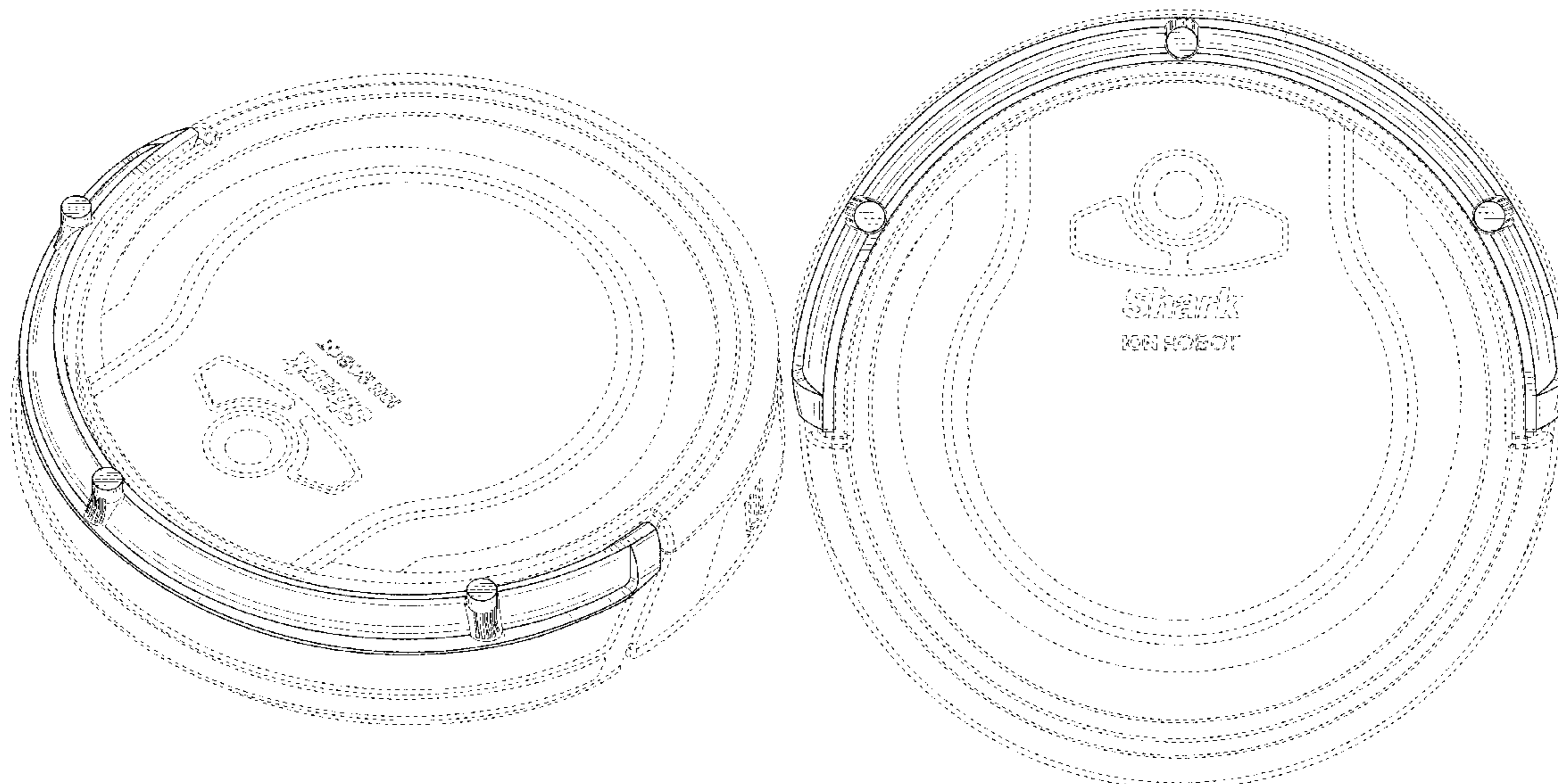
(56) **References Cited**

U.S. PATENT DOCUMENTS

D524,495 S 7/2006 Ljunggren
D548,902 S 8/2007 Chun et al.
D548,903 S 8/2007 Chun et al.
D556,961 S 12/2007 Swyst et al.
D596,815 S 7/2009 Baek
D602,215 S 10/2009 Ljunggren
D658,341 S 4/2012 Nam et al.
D659,311 S 5/2012 Geringer et al.

FIG. 1 is a perspective view of a bumper for a robotic vacuum cleaner, showing the new design;
FIG. 2 is a top view thereof;
FIG. 3 is a right side view thereof;
FIG. 4 is a left side view thereof;
FIG. 5 is a front view thereof; and,
FIG. 6 is a rear view thereof.
Broken lines are used in the drawings to illustrate features that form no part of the claimed design.

1 Claim, 4 Drawing Sheets



(56)

References Cited

U.S. PATENT DOCUMENTS

D691,337 S 10/2013 Kim et al.
D703,397 S 4/2014 Sungkyung et al.
D714,002 S 9/2014 Casini
D714,003 S 9/2014 Casini
D715,504 S * 10/2014 Deoksang D32/21
D743,645 S 11/2015 Lee
D771,332 S 11/2016 Verhoorn et al.
D771,333 S 11/2016 Verhoorn
D771,884 S * 11/2016 Ninomiya D32/21
9,483,055 B2 11/2016 Johnson et al.
D774,717 S 12/2016 Choi et al.
D781,512 S * 3/2017 Neumann D32/21
9,931,007 B2 4/2018 Morin et al.
D835,869 S * 12/2018 Li D32/21
D840,617 S * 2/2019 Dou D32/21

FOREIGN PATENT DOCUMENTS

JP 1545765 S 3/2016
KR 30-0845638 3/2016

OTHER PUBLICATIONS

iCheeka, <http://www.fmart.com.cn/goods-360.html>, listed on JP Notice of References received with Notice of Allowance issued Aug. 29, 2018 in JP Application No. 2018-004791, 15 pgs.

* cited by examiner

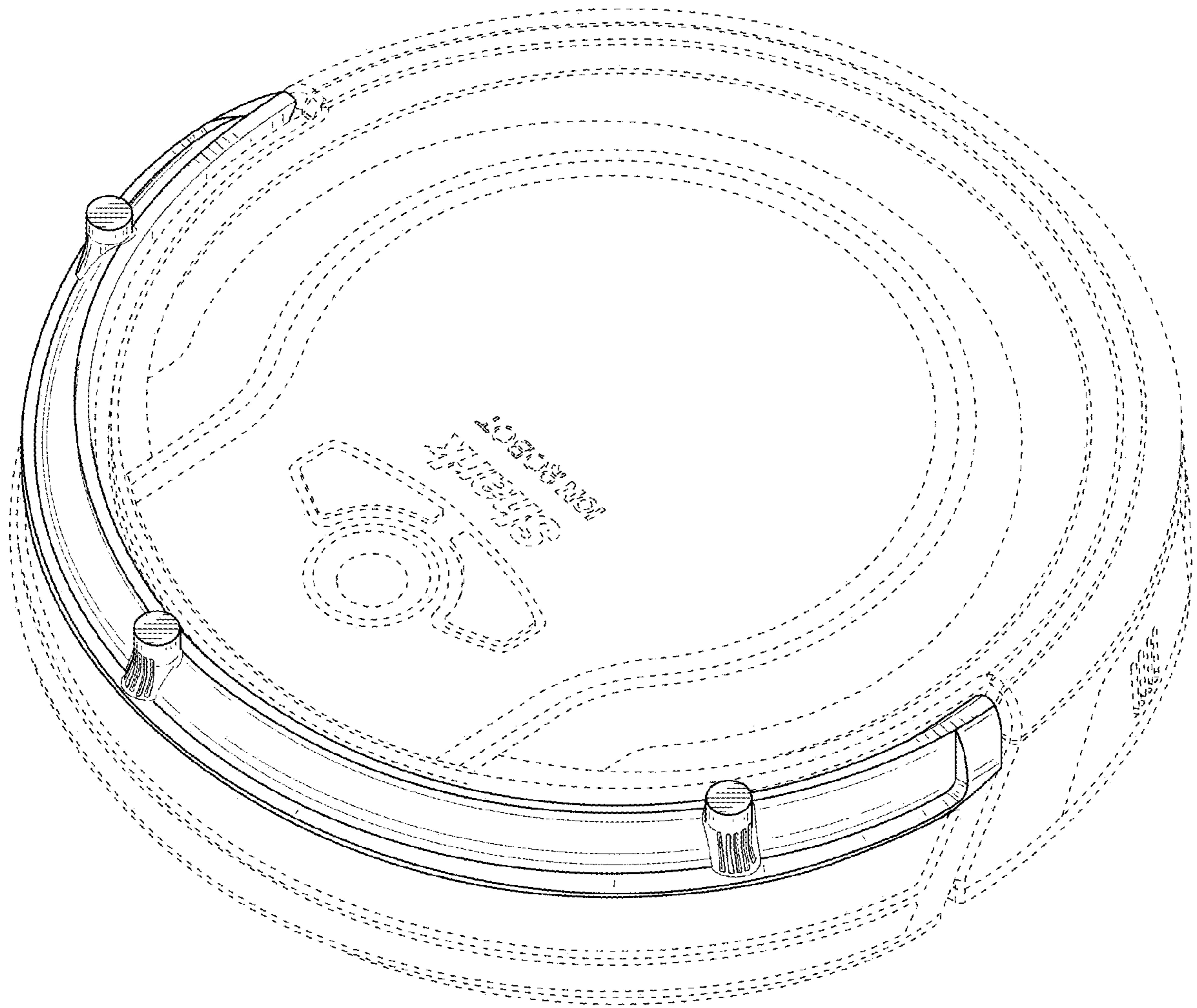


FIG. 1

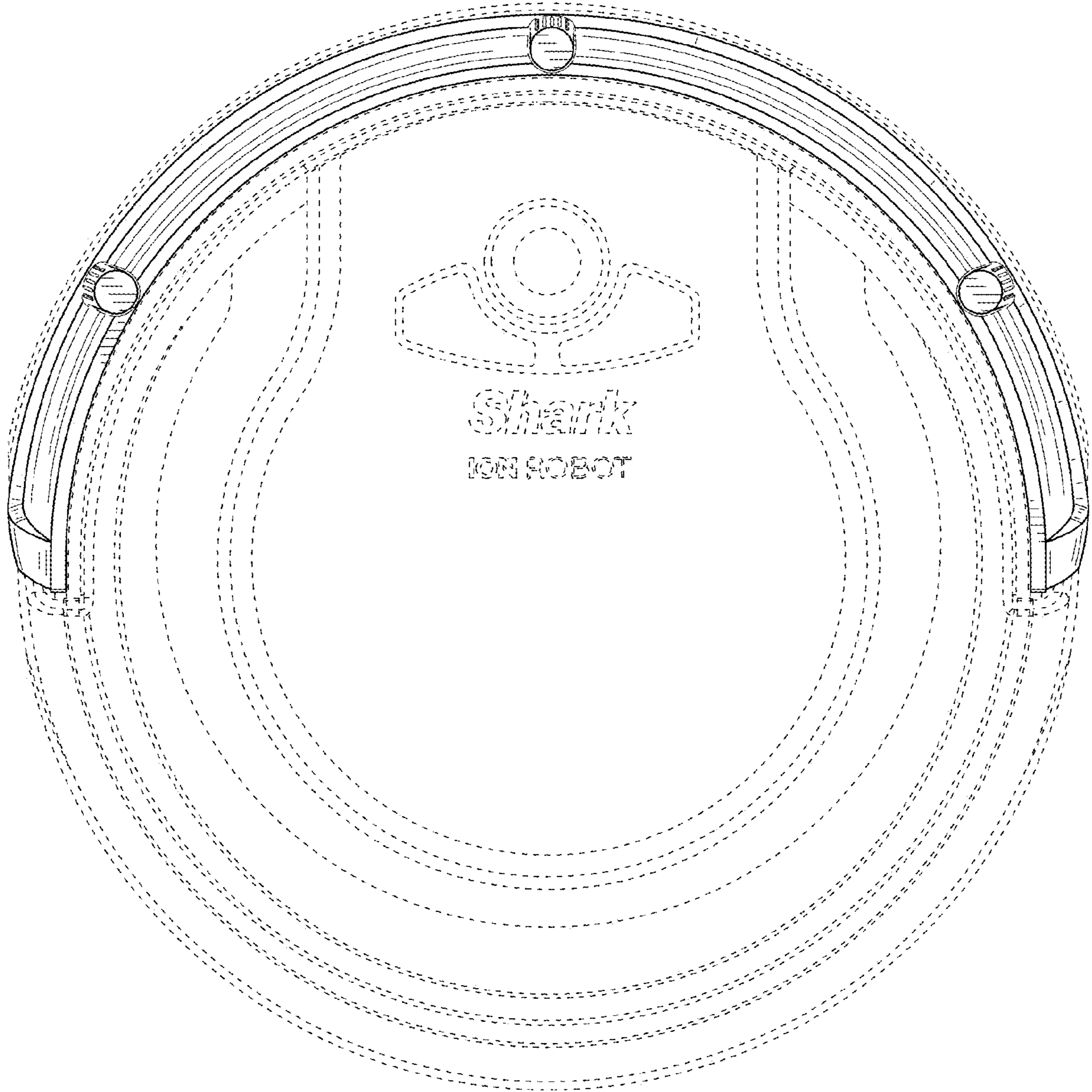


FIG. 2

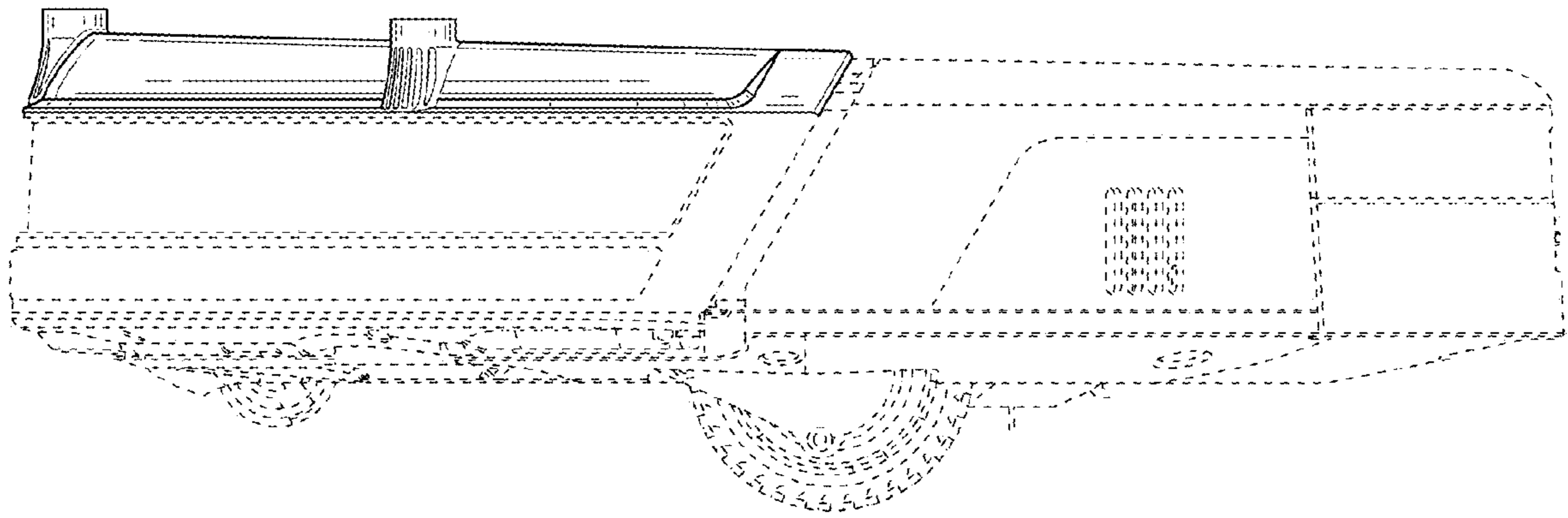


FIG. 3

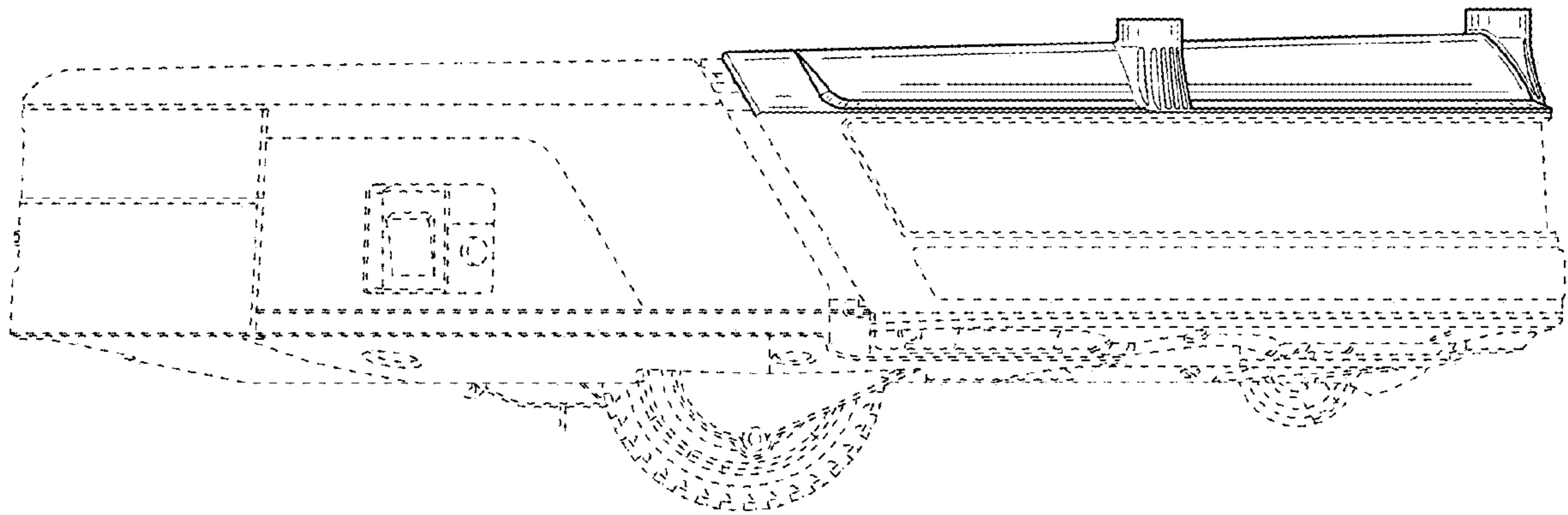


FIG. 4

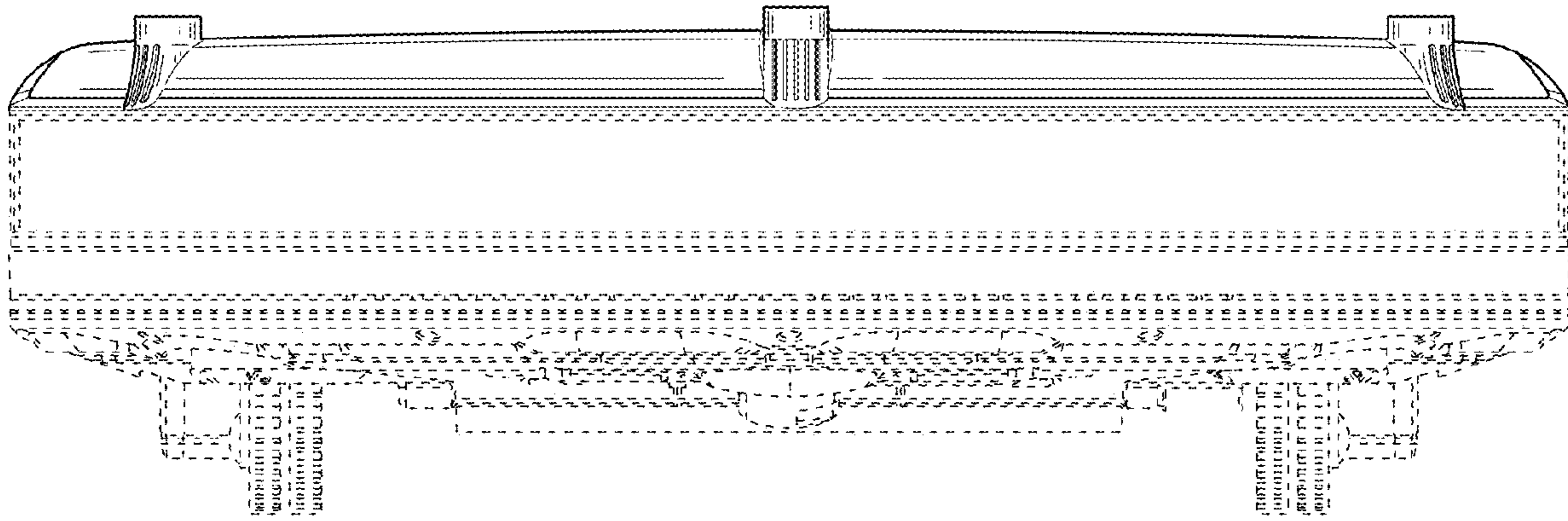


FIG. 5

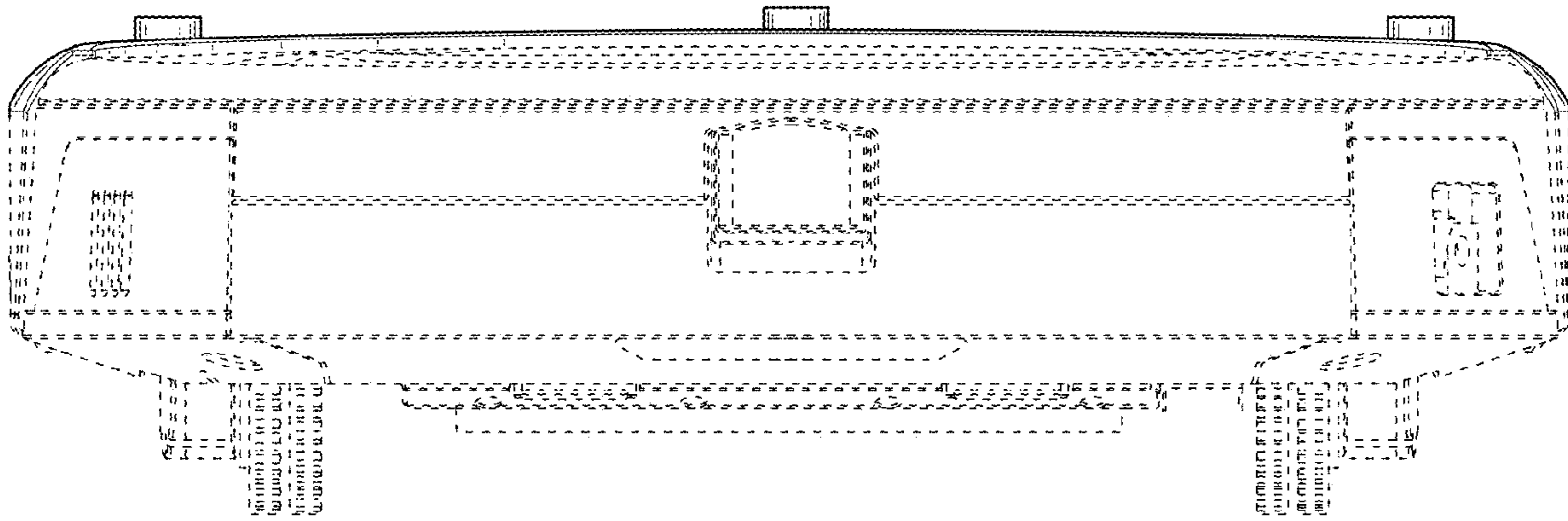


FIG. 6