



US00D877430S

(12) **United States Design Patent**
Hooley et al.

(10) **Patent No.:** **US D877,430 S**
(45) **Date of Patent:** **** Mar. 3, 2020**

(54) **FLOOR CLEANER**

10,092,155 B2 * 10/2018 Xia A47L 11/302
D837,469 S * 1/2019 Johnson D32/22
D844,914 S * 4/2019 Houghton D32/22

(71) Applicant: **TTi (Macao Commercial Offshore) Limited**, Macau (MO)

FOREIGN PATENT DOCUMENTS

(72) Inventors: **Bradley Hooley**, Charlotte, NC (US);
Joseph Sexton, Charlotte, NC (US);
Somnanritha Chan, Charlotte, NC (US);
Benjamin Shrader, Newton, NC (US)

AU	337366	6/2011
AU	365231	11/2015
CN	301785832 S	1/2012
CN	301997305 S	7/2012
CN	302190713 S	11/2012
CN	302830211 S	5/2014
CN	303217788 S	5/2015
CN	303309250 S	7/2015
CN	303618016 S	3/2016
CN	304030968 S	2/2017
EM	001795840-001	12/2010
EM	002179275-001	2/2013
GB	2032222	1/1993

(73) Assignee: **TTI (Macao Commercial Offshore) Limited**, Praia Grande (MO)

(**) Term: **15 Years**

(Continued)

(21) Appl. No.: **29/673,377**

(22) Filed: **Dec. 13, 2018**

Primary Examiner — Ruth McInroy

(51) **LOC (12) Cl.** **15-05**

(74) *Attorney, Agent, or Firm* — Michael Best & Friedrich LLP

(52) **U.S. Cl.**

USPC **D32/22**

(58) **Field of Classification Search**

USPC D32/22, 31, 17
CPC A47L 11/20; A47L 11/34; A47L 11/40;
A47L 11/4016; A47L 5/28; A47L 5/24;
A47L 7/02

See application file for complete search history.

(57) **CLAIM**

We claim the ornamental design for a floor cleaner, as shown and described.

DESCRIPTION

(56) **References Cited**

U.S. PATENT DOCUMENTS

D359,604 S *	6/1995	Sovis	D32/22
D631,625 S *	1/2011	Wada	D32/22
D677,844 S *	3/2013	Nicora	D32/22
D740,503 S *	10/2015	Tyler	D32/22
9,469,548 B2 *	10/2016	Mancosky	C01F 11/181
D789,004 S	6/2017	Boehler et al.		
D792,668 S *	7/2017	Yoon	D32/22
D796,129 S *	8/2017	Jang	D32/22
D796,756 S *	9/2017	Niedzwecki	D32/22
D816,926 S *	5/2018	Crawley	D32/22

FIG. 1 is a front perspective view of a floor cleaner showing our new design;

FIG. 2 is a front view thereof;

FIG. 3 is a rear view thereof;

FIG. 4 is a left side view thereof;

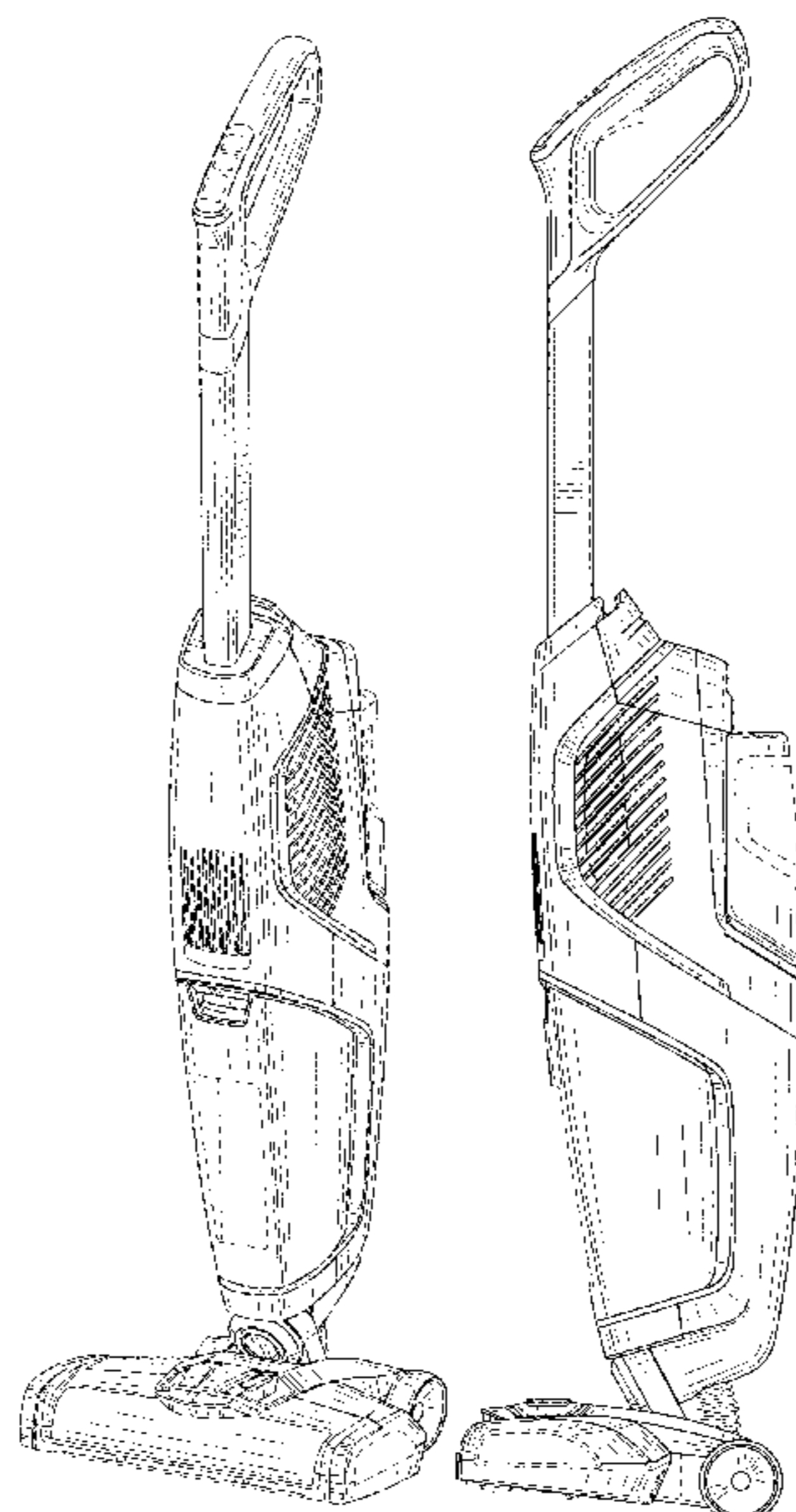
FIG. 5 is a right side view thereof;

FIG. 6 is a top view thereof; and,

FIG. 7 is a bottom view thereof.

The details shown in broken lines form no part of the claimed design.

1 Claim, 7 Drawing Sheets



(56)

References Cited

FOREIGN PATENT DOCUMENTS

WO	DM026639-1	9/1993
WO	DM084624-1	10/2016
WO	DM084624-2	10/2016
WO	DM084624-3	10/2016
WO	DM084624-4	10/2016
WO	DM084625-1	10/2016
WO	DM084625-2	10/2016
WO	DM084625-3	10/2016
WO	DM084625-4	10/2016
WO	DM086270-1	4/2017
WO	DM086270-2	4/2017
WO	DM086270-3	4/2017
WO	DM086270-4	4/2017
WO	DM086270-5	4/2017
WO	DM086270-6	4/2017

* cited by examiner

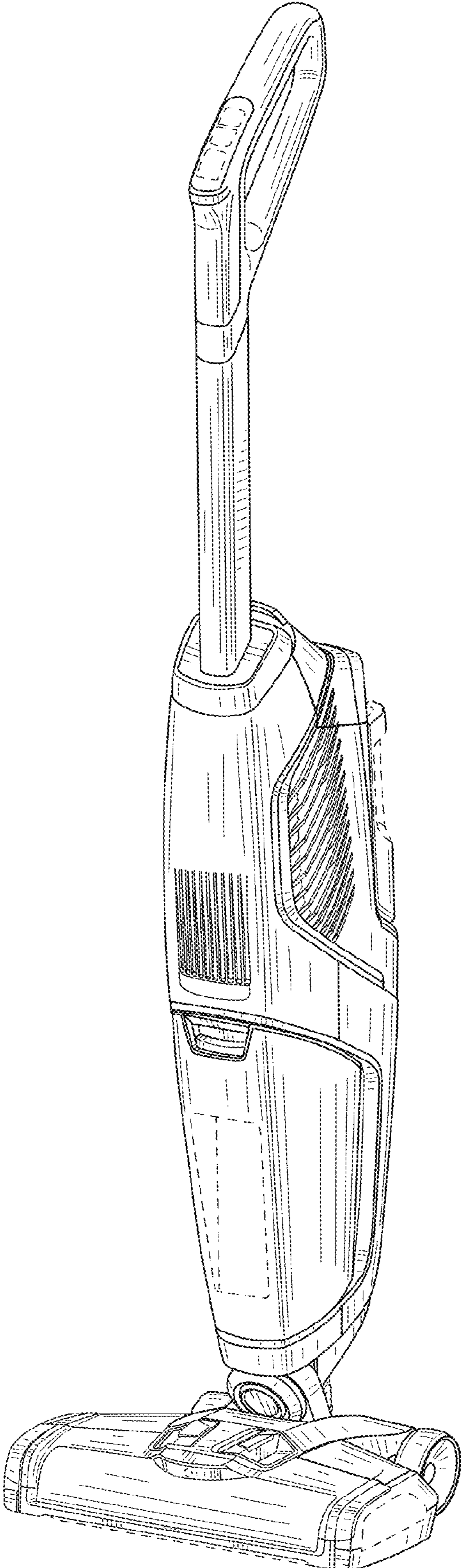


FIG. 1

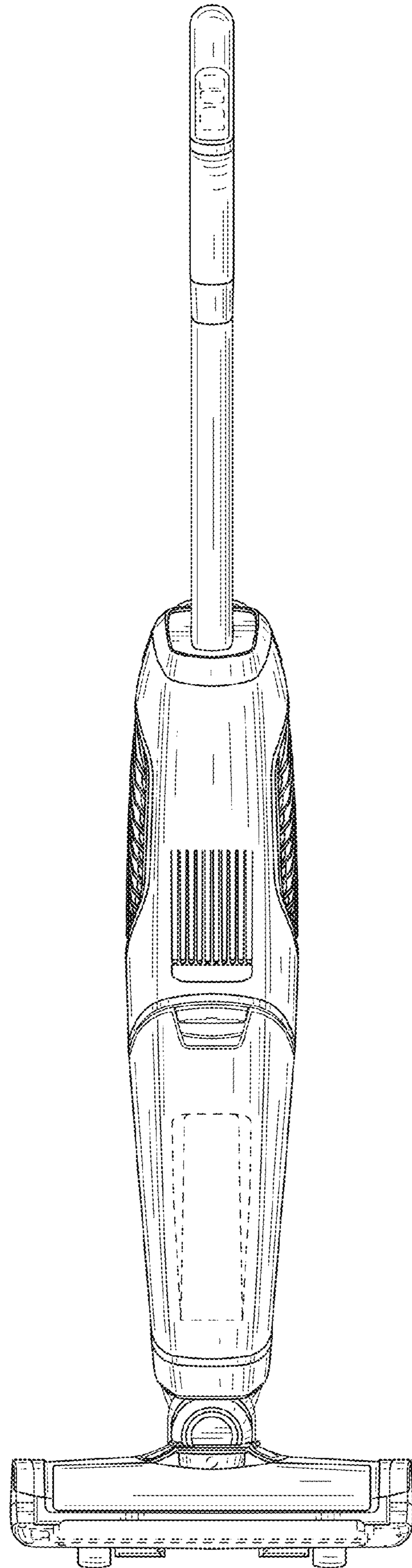


FIG. 2

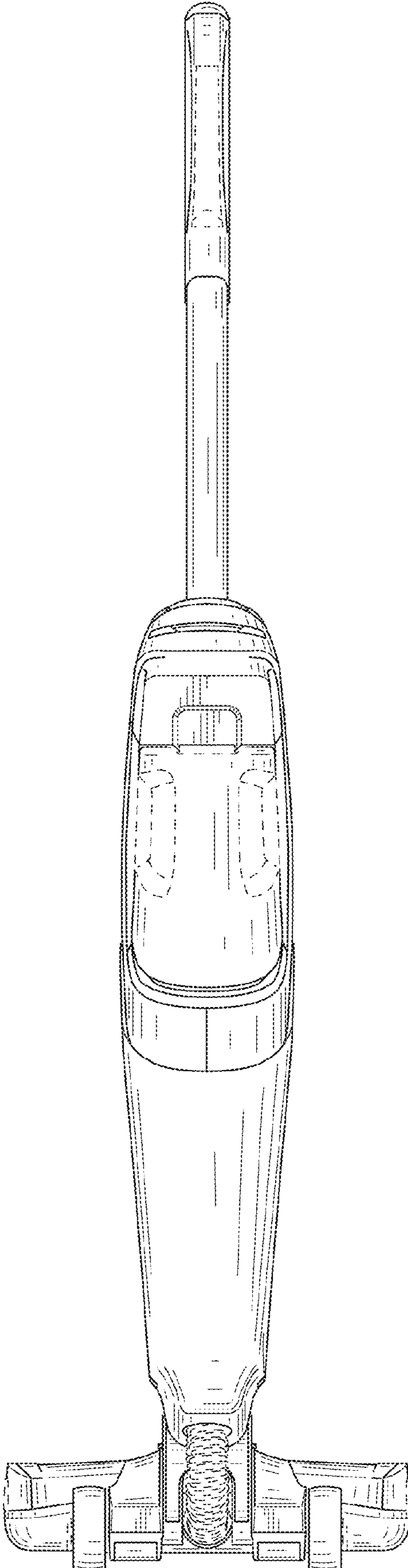


FIG. 3

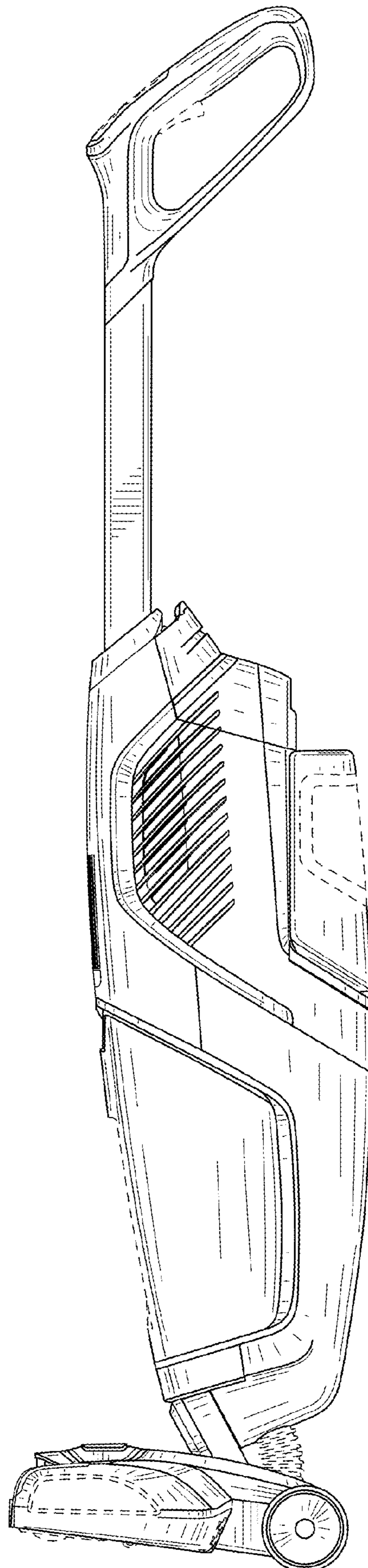


FIG. 4

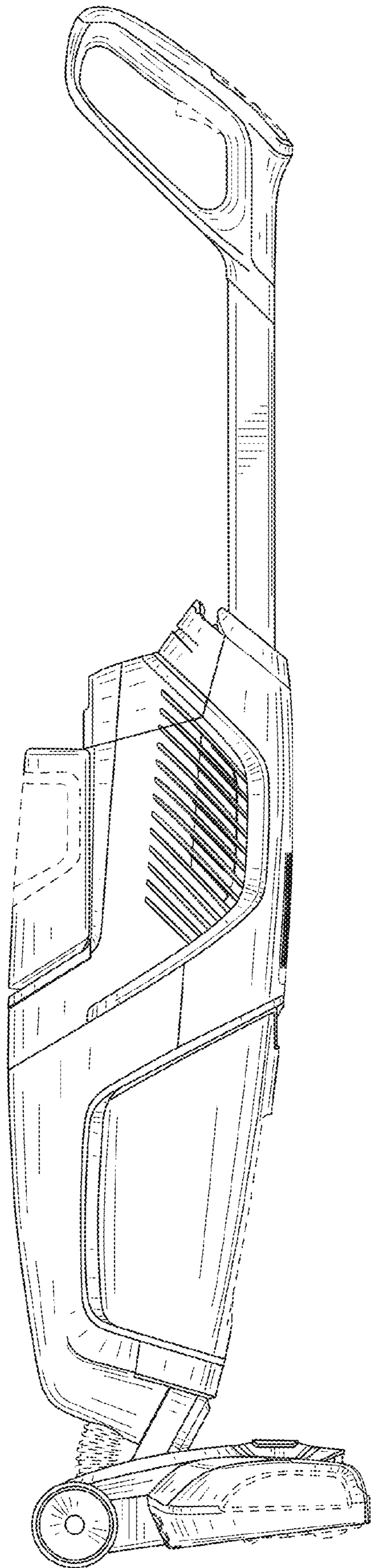


FIG. 5

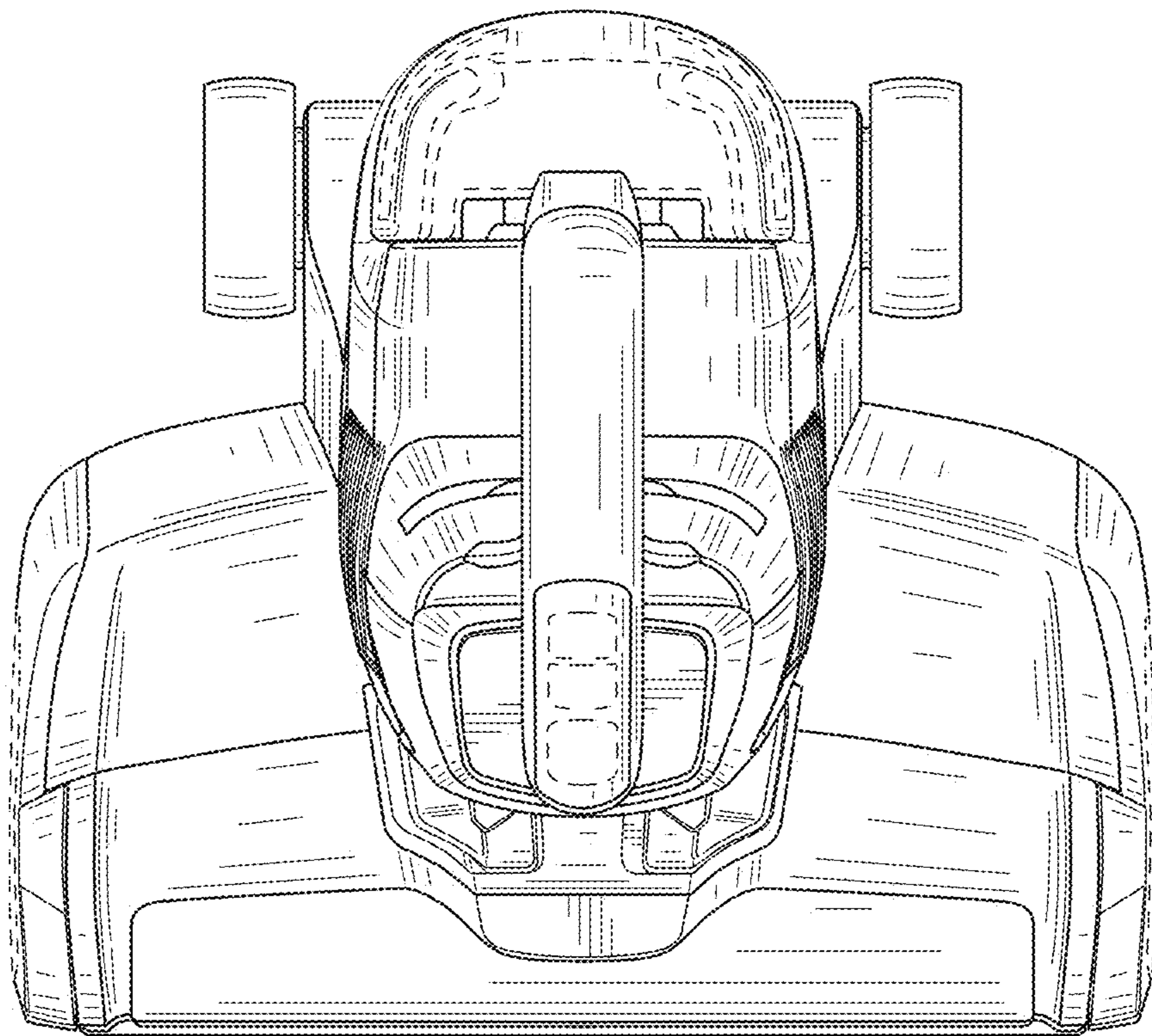


FIG. 6

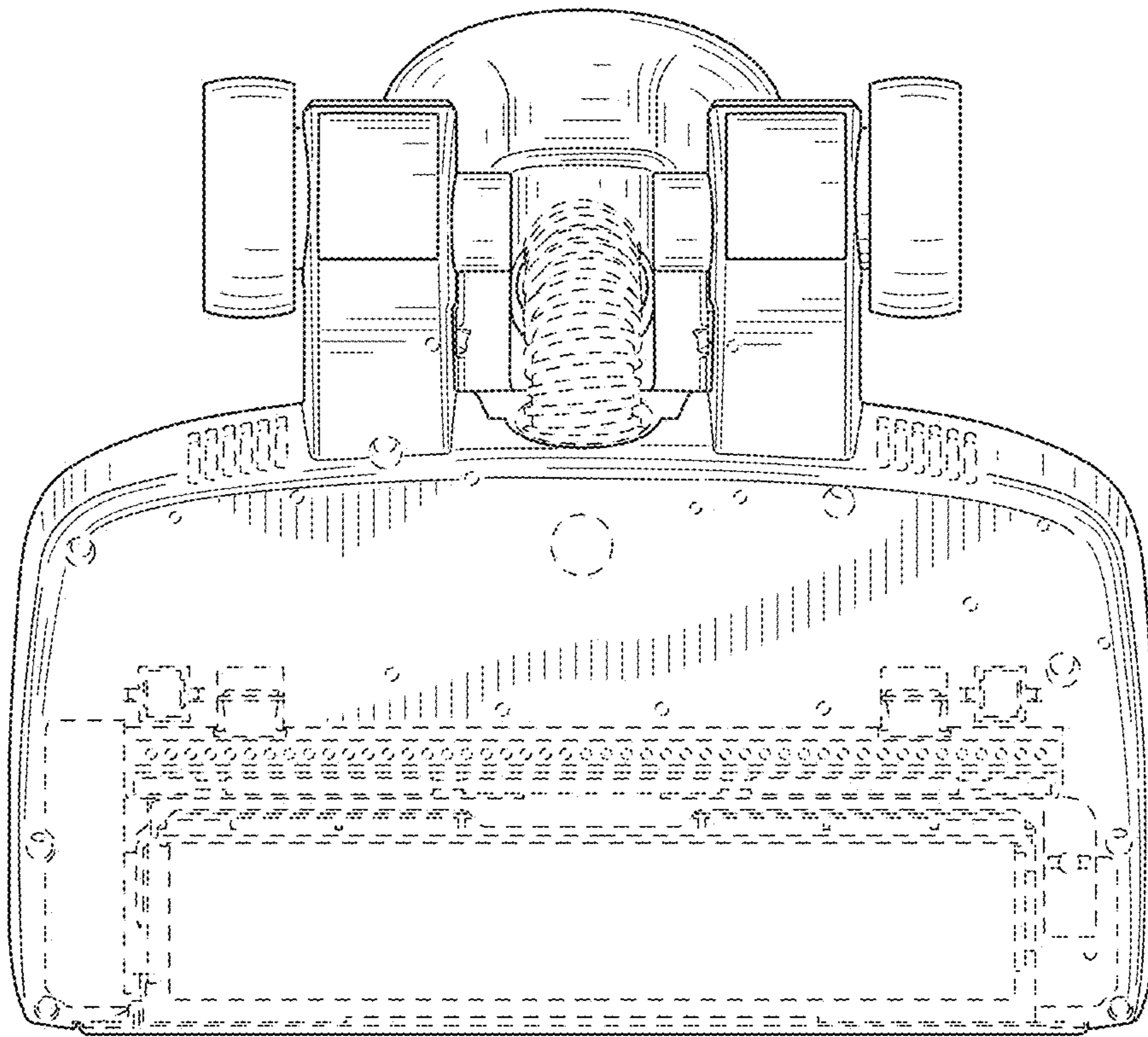


FIG. 7