



US00D877429S

(12) **United States Design Patent**
Steinkraus

(10) **Patent No.:** **US D877,429 S**
(45) **Date of Patent:** **** Mar. 3, 2020**

- (54) **BALL LAUNCHING DEVICE**
- (71) Applicant: **Gramercy Products, Inc.**, Secaucus, NJ (US)
- (72) Inventor: **William Steinkraus**, Fort Lee, NJ (US)
- (73) Assignee: **GRAMERCY PRODUCTS, INC.**, Secaucus, NJ (US)
- (**) Term: **15 Years**
- (21) Appl. No.: **29/643,300**
- (22) Filed: **Apr. 6, 2018**
- (51) **LOC (12) Cl.** **30-99**
- (52) **U.S. Cl.**
USPC **D30/160**
- (58) **Field of Classification Search**
USPC D21/300, 312-318, 328, 411, 430, 436,
D21/451-454, 466, 514, 570, 707, 712,
D21/715, 722-743, 759; D12/325;
D30/160; 446/4, 197; 124/4, 5;
119/702, 706-714
CPC A01K 15/00; A01K 15/02
See application file for complete search history.

4,002,893 A	1/1977	Newcomb	
4,006,908 A	2/1977	Minami	
D248,988 S *	8/1978	Goldfarb	D21/454
4,113,829 A	9/1978	Bowker	
D257,114 S *	9/1980	Baird	D21/451
D261,287 S *	10/1981	Hilko	D21/451
4,297,809 A	11/1981	Branson	
4,527,351 A	7/1985	Gerakiteys	
D289,066 S *	3/1987	Clanton	D21/451
D293,256 S *	12/1987	Suzuki	D21/451
4,732,925 A	3/1988	Davis	
D326,878 S *	6/1992	Suzuki	D21/451
D332,473 S *	1/1993	Chan	D16/202
5,196,462 A	3/1993	Berta	
D347,674 S *	6/1994	Delaney	D21/452

(Continued)

Primary Examiner — Sandra S Snapp
Assistant Examiner — Mehri F. Bajoul
 (74) *Attorney, Agent, or Firm* — Thomas A. O'Rourke;
 Bodner & O'Rourke, LLP

(56) **References Cited**

U.S. PATENT DOCUMENTS

1,877,673 A	9/1932	Law	
2,098,395 A	11/1937	Law	
2,304,190 A	12/1942	Milner	
RE23,176 E	11/1949	Milner	
2,867,425 A	1/1959	Teller	
D192,089 S *	1/1962	Alvaney	D21/454
3,046,016 A	7/1962	Laws	
D219,284 S	11/1970	Hunt	
3,633,538 A	1/1972	Hoeflin	
3,889,950 A	6/1975	Kasravi	
3,968,074 A	7/1976	Schwarze	

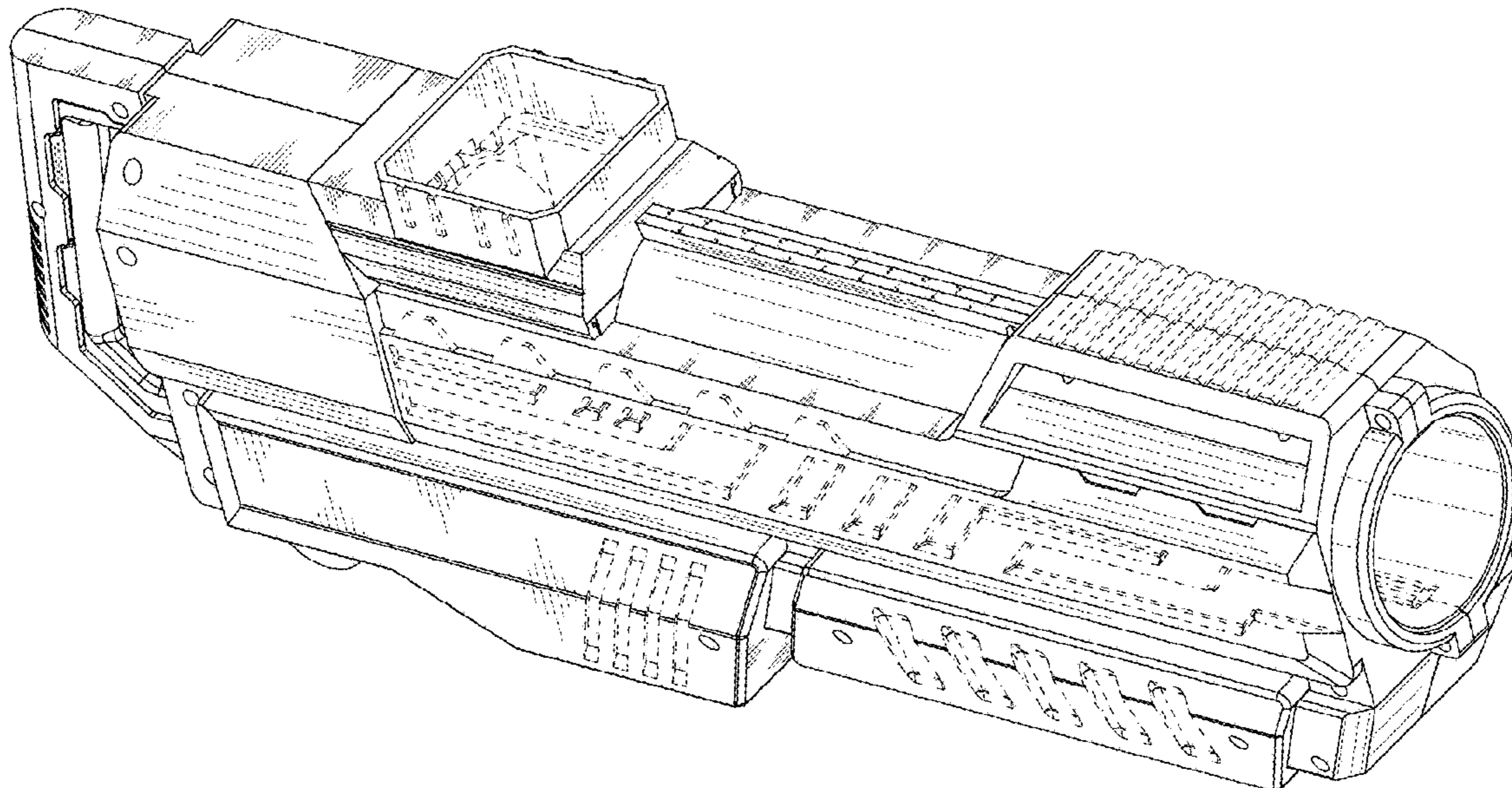
(57) **CLAIM**

The ornamental design for a ball launching device, as shown and described.

DESCRIPTION

FIG. 1 is a perspective view of a ball launching device of the present invention.
 FIG. 2 is a side view of a ball launching device of FIG. 1. The opposite side of the device is a mirror image of FIG. 2.
 FIG. 3 is a top view of a ball launching device of FIG. 1.
 FIG. 4 is a bottom view of a ball launching device of FIG. 1.
 FIG. 5 is a rear view of a ball launching device of FIG. 1; and,
 FIG. 6 is a front view of a ball launching device of FIG. 1. The broken lines shown in the drawings depict portions of the ball launching device that form no part of the claimed design.

1 Claim, 3 Drawing Sheets



(56)

References Cited

U.S. PATENT DOCUMENTS

5,344,864 A 9/1994 Kushida
 5,358,440 A 10/1994 Zheng
 D368,280 S * 3/1996 Brown D21/454
 5,611,532 A 3/1997 Forrest
 5,695,706 A 12/1997 Welsh
 5,810,636 A 9/1998 Harned
 D402,318 S 12/1998 Dunipace
 D408,482 S 4/1999 Morrison
 5,934,966 A 8/1999 Ward
 6,003,470 A 12/1999 Budman
 D421,777 S * 3/2000 Wei D21/451
 6,073,588 A 6/2000 McClung
 6,083,127 A 7/2000 O'Shea
 6,089,938 A 7/2000 Spector
 6,113,453 A 9/2000 Stuffelbeam
 D433,719 S 11/2000 Hutchings
 6,174,214 B1 1/2001 Cooper
 6,390,879 B1 5/2002 Spector
 D468,378 S 1/2003 Routzong
 D479,897 S 9/2003 Willinger
 6,622,659 B2 9/2003 Willinger
 6,651,590 B2 11/2003 Willinger
 6,682,384 B2 1/2004 Wang
 6,695,666 B2 2/2004 Nikonorov
 6,739,934 B1 5/2004 Adler
 6,918,809 B2 7/2005 Persall
 6,939,191 B1 9/2005 Wu
 D511,228 S 11/2005 Byrne

D512,541 S 12/2005 Byrne
 D513,545 S 1/2006 Byrne
 7,096,826 B2 8/2006 Markham
 D548,409 S 8/2007 Renforth
 D568,882 S * 5/2008 Ashida D14/400
 D569,562 S 5/2008 Nazimek
 D640,329 S 6/2011 Oblack
 7,976,355 B2 7/2011 McAnulty
 D658,726 S * 5/2012 Greiner D21/570
 D660,920 S * 5/2012 Johnson D21/572
 8,241,153 B2 8/2012 Williams
 8,348,713 B2 1/2013 Groft
 8,402,923 B2 3/2013 Jager
 D680,280 S 4/2013 Nielsen
 8,474,410 B2 7/2013 Oblack
 D723,114 S * 2/2015 Li D21/573
 D730,997 S * 6/2015 Nichols D21/570
 D759,164 S * 6/2016 Bei D21/454
 D759,168 S * 6/2016 Stack D21/570
 D815,695 S * 4/2018 Waldman D21/328
 2002/0111105 A1 8/2002 Silverglate
 2003/0184013 A1 10/2003 Chodosh
 2003/0232565 A1 12/2003 Siiverglate
 2004/0083983 A1 5/2004 Markham
 2004/0089245 A1 5/2004 Markham
 2004/0166764 A1 8/2004 Stark
 2004/0259460 A1 12/2004 Persall
 2006/0073758 A1 4/2006 Goodwin
 2006/0141896 A1 6/2006 Owens
 2009/0176436 A1 7/2009 Stark

* cited by examiner

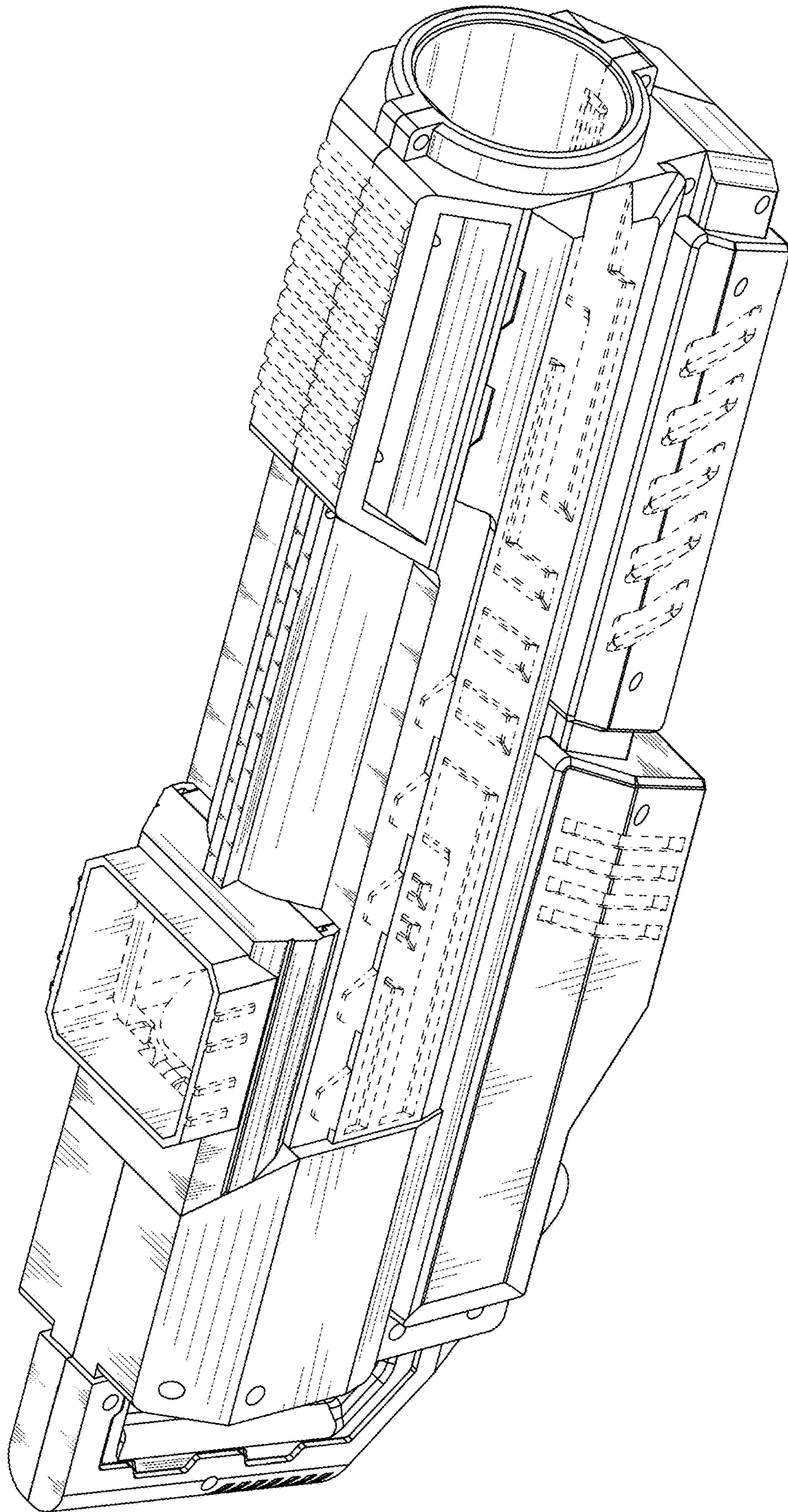
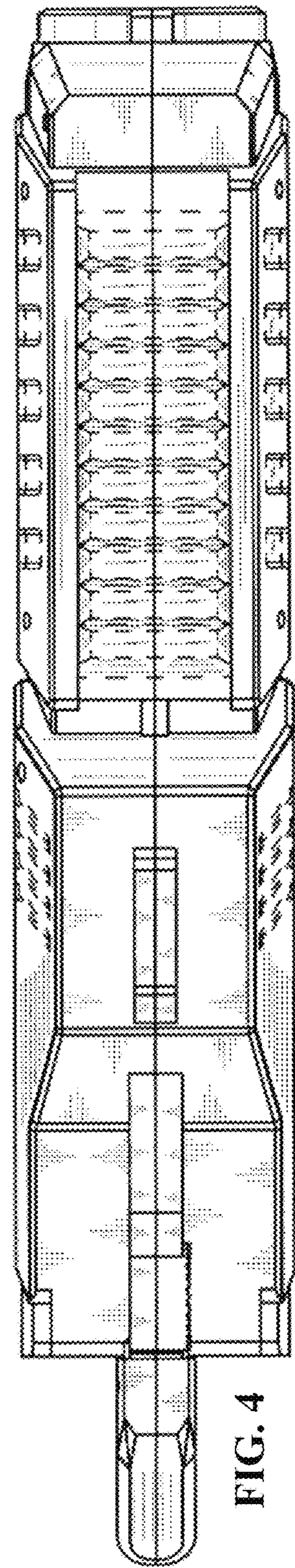
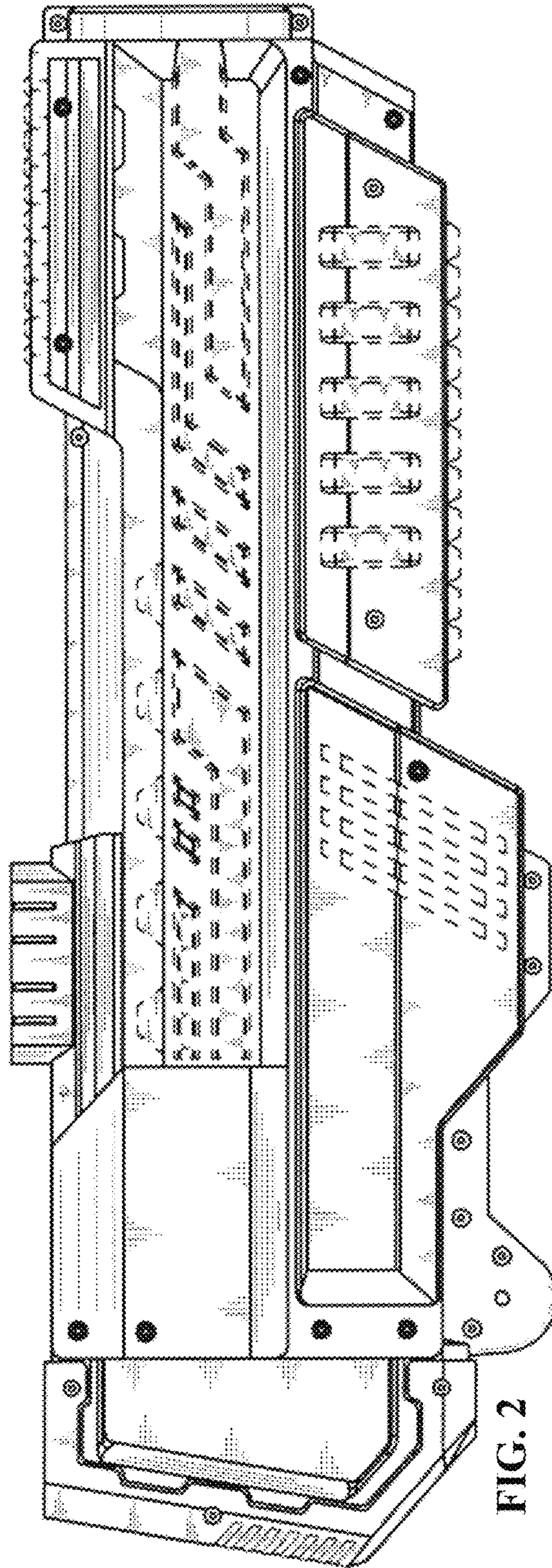
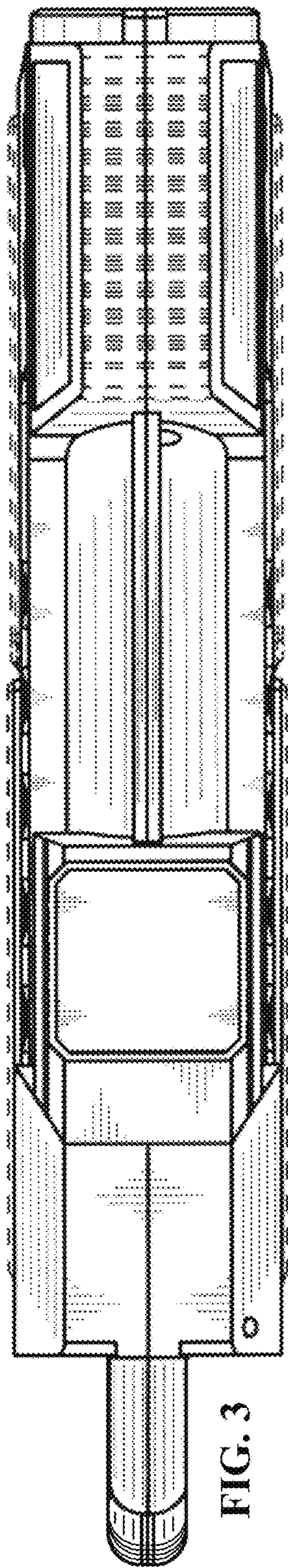


FIG. 1



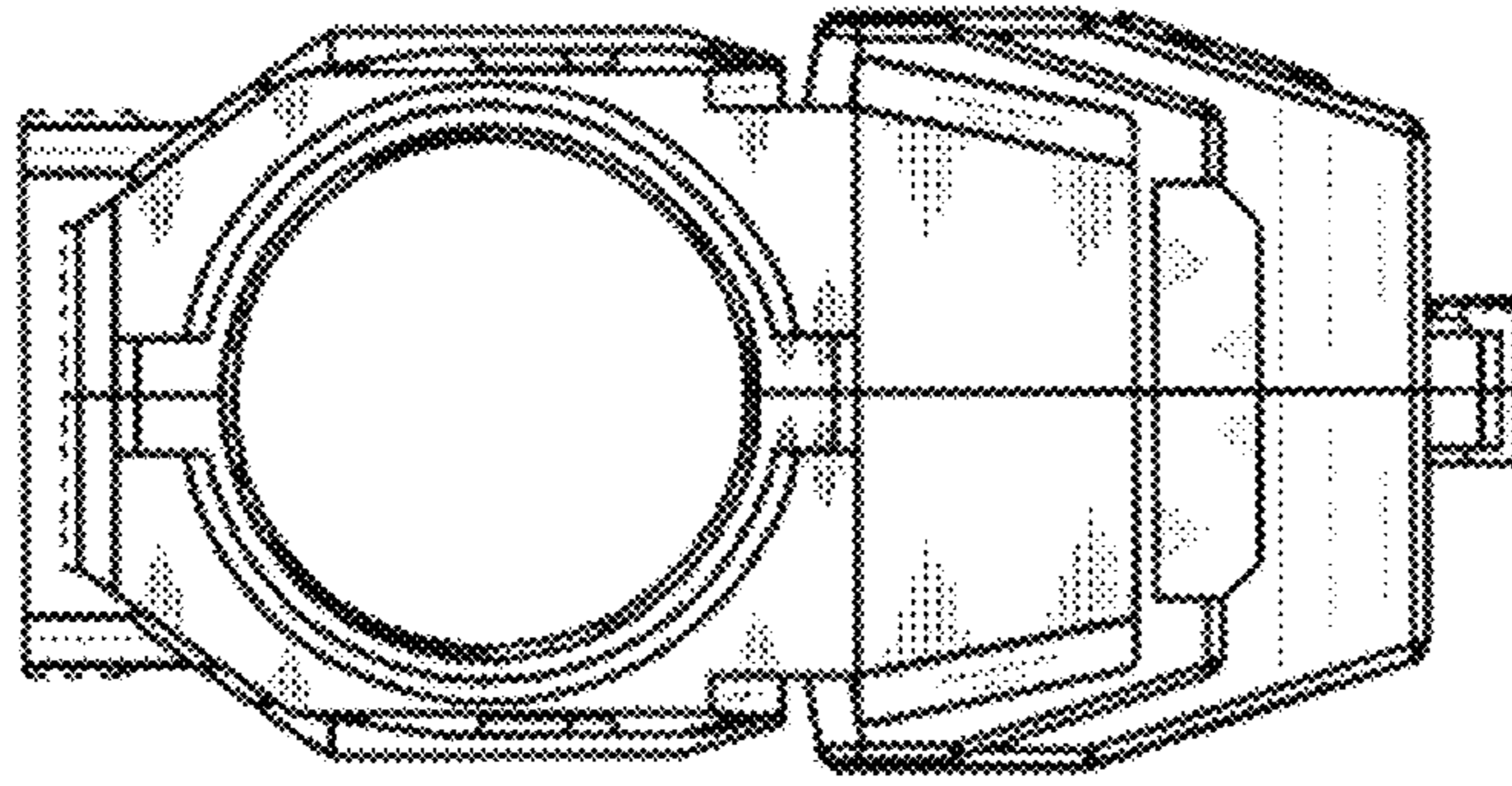


FIG. 5

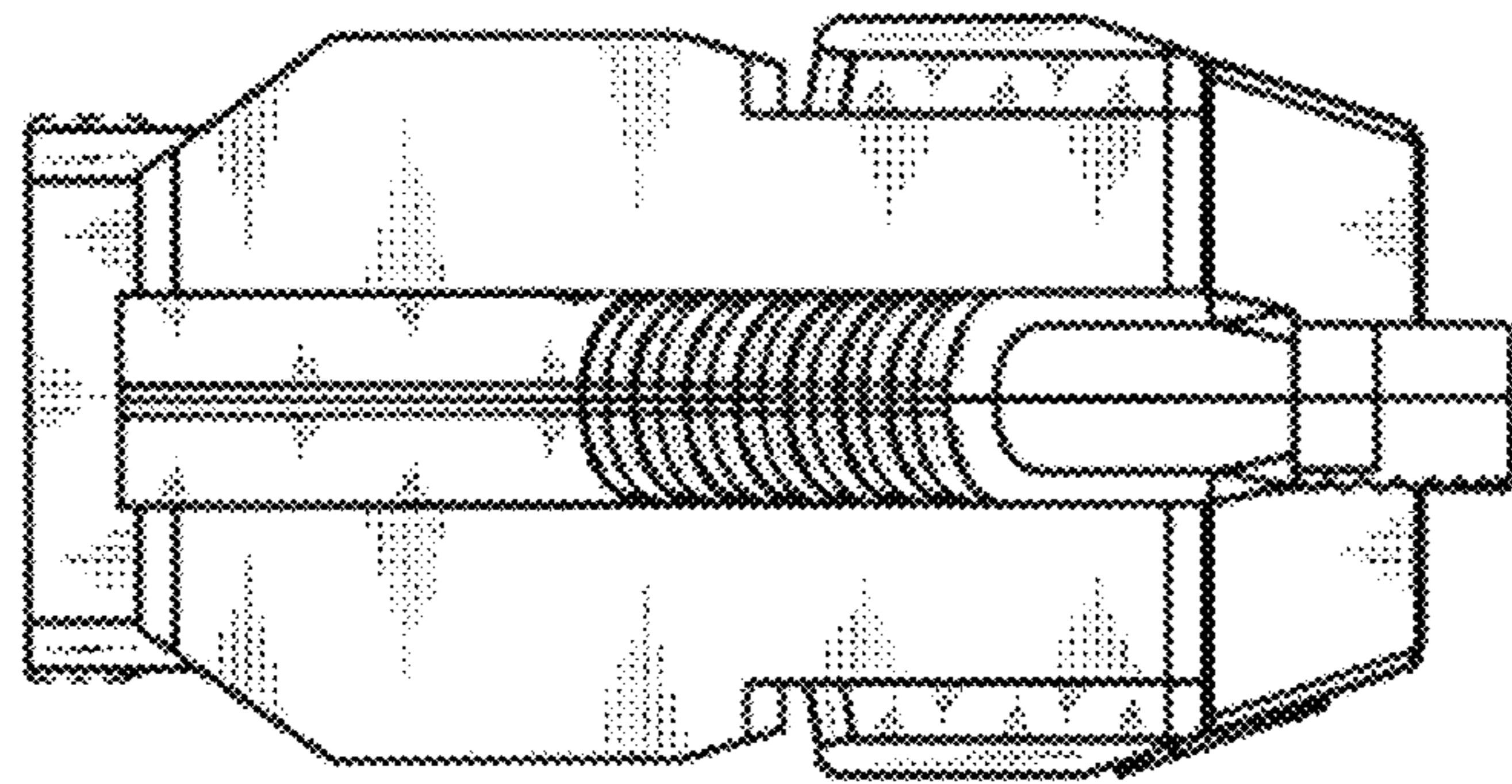


FIG. 6