



US00D877426S

(12) **United States Design Patent**
Qu

(10) **Patent No.:** **US D877,426 S**
(45) **Date of Patent:** **** Mar. 3, 2020**

(54) **HARNESS FOR PET**

(71) Applicant: **Huan Qu**, Shenzhen (CN)

(72) Inventor: **Huan Qu**, Shenzhen (CN)

(**) Term: **15 Years**

(21) Appl. No.: **29/706,407**

(22) Filed: **Sep. 19, 2019**

(51) **LOC (12) Cl.** **30-04**

(52) **U.S. Cl.**
USPC **D30/152**

(58) **Field of Classification Search**
USPC D30/144, 145, 151, 152, 199; D24/190;
D29/101.1, 101.3, 101.5
CPC A01K 27/002
See application file for complete search history.

(56) **References Cited**

U.S. PATENT DOCUMENTS

213,265	A *	3/1879	Washburn	A01K 13/006	119/814
D453,594	S	2/2002	Ishihara			
6,792,894	B1 *	9/2004	Donaldson	A01K 27/002	119/792
D591,011	S *	4/2009	Madere	D30/152	
D633,257	S	2/2011	Trias			
D638,176	S *	5/2011	Mugford	D30/152	
D653,410	S	1/2012	Morton			
D673,738	S	1/2013	Lanzendorf			
8,418,658	B1 *	4/2013	Remick	A01K 27/002	119/792
D688,011	S *	8/2013	Gee	D30/152	
D701,007	S	3/2014	Krupich			
D701,356	S	3/2014	Troll			
D713,996	S *	9/2014	Collett	D29/101.1	
D760,448	S *	6/2016	Ceconato	D30/152	
D783,210	S *	4/2017	Uihlein	D30/152	
D805,261	S *	12/2017	Yun	D30/152	

D823,558	S	7/2018	Fitzpatrick			
2006/0288959	A1 *	12/2006	Schantz	A01K 13/006	119/792
2014/0069351	A1 *	3/2014	Stratton	A01K 13/006	119/850

(Continued)

OTHER PUBLICATIONS

“Small Lizard Leash”. Found online Dec. 13, 2019 at etsy.com. Page dated May 13, 2016. Retrieved from https://www.etsy.com/listing/229113693/small-lizard-leashreptile-harness-rose?show_sold_out_detail=1&frs=1.

(Continued)

Primary Examiner — Kendra Leslie Hamilton

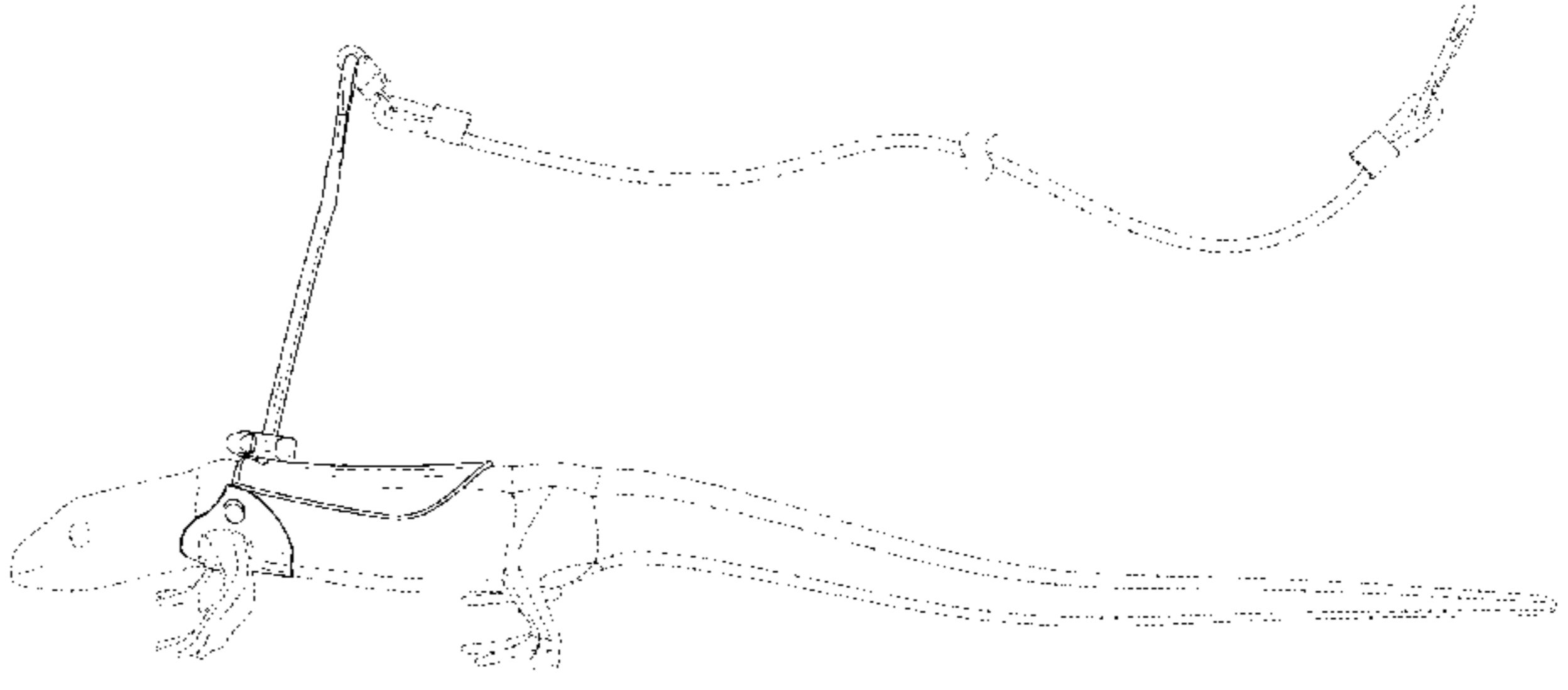
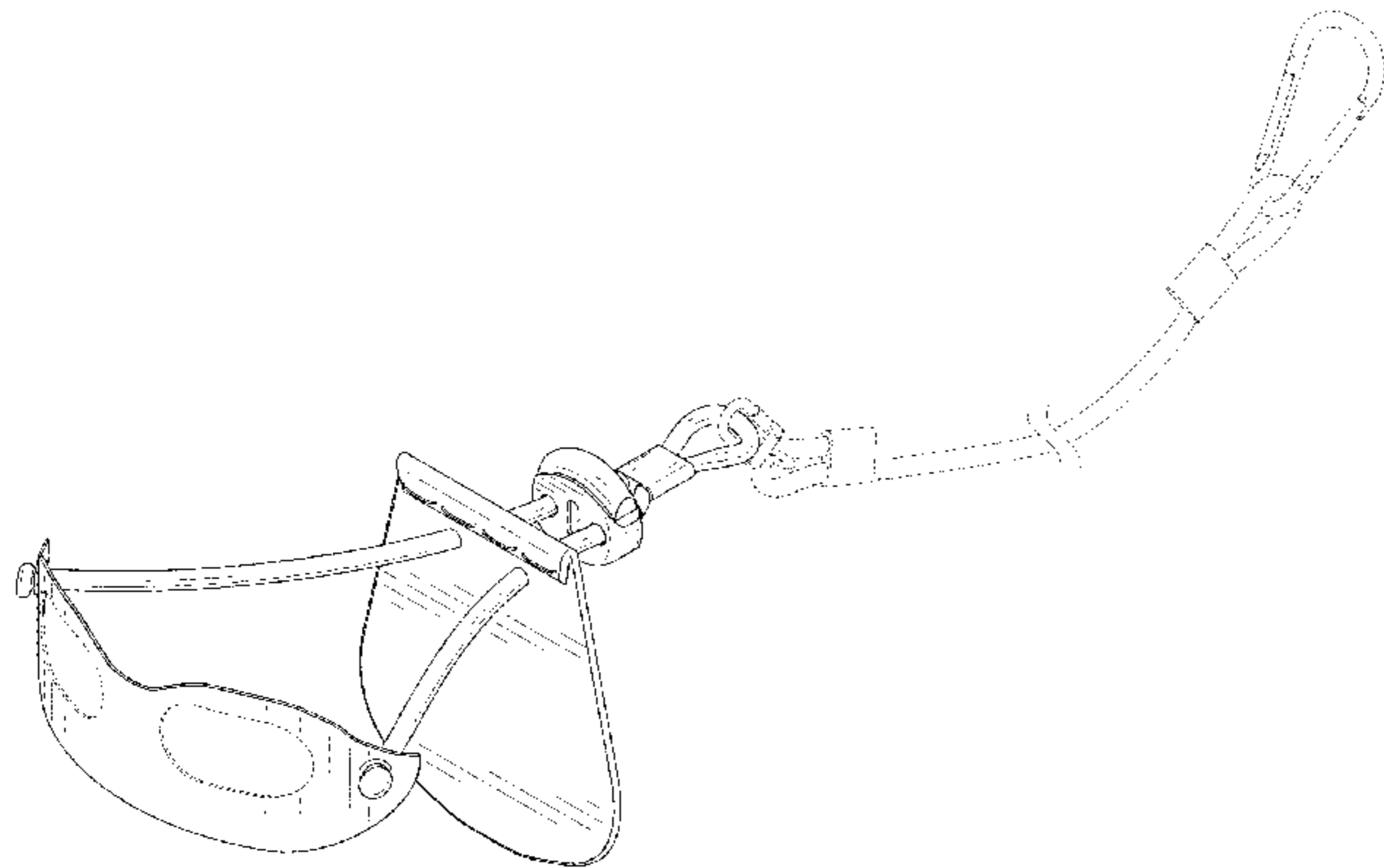
(57) **CLAIM**

The ornamental design for a harness for pet, as shown and described.

DESCRIPTION

FIG. 1 is a front perspective view of a harness for pet showing my new design;
FIG. 2 is a rear perspective view thereof;
FIG. 3 is a front elevational view thereof;
FIG. 4 is a rear elevational view thereof;
FIG. 5 is a left side elevational view thereof;
FIG. 6 is a right side elevational view thereof;
FIG. 7 is a top plan view thereof;
FIG. 8 is a bottom plan view thereof;
FIG. 9 is a front perspective view of the harness for pet of FIG. 1, shown in an alternate configuration for clarity of disclosure; and,
FIG. 10 is a right elevation of the harness for pet of FIG. 1, shown in a configuration of use for clarity of disclosure.
The broken lines in the drawings depict portions of the harness for pet that form no part of the claimed design. The broken lines showing a reptile in FIG. 10 depict environmental matter that forms no part of the claimed design.

1 Claim, 10 Drawing Sheets



(56)

References Cited

U.S. PATENT DOCUMENTS

2016/0021852 A1* 1/2016 Goluboff A01K 13/006
119/792

OTHER PUBLICATIONS

“Pipoca Beardie Cape w- Harness”. Found online Dec. 13, 2019 at
instagram.com. Page dated Aug. 16, 2018. Retrieved from [https://
www.instagram.com/p/Bmjuo8vgWyf/](https://www.instagram.com/p/Bmjuo8vgWyf/).*

“Walmart Lizard Harness w- Leash”. Found online Dec. 13, 2019 at
walmart.com. Page dated Sep. 4, 2017. Retrieved from [https://tineye.
com/search/ef9f1b8493277bde4109ef4e36b191bbfcd8d8d9?page=
1&sort=crawl_date&order=asc&extension_ver=chronne-1.3.0](https://tineye.com/search/ef9f1b8493277bde4109ef4e36b191bbfcd8d8d9?page=1&sort=crawl_date&order=asc&extension_ver=chronne-1.3.0).*

* cited by examiner

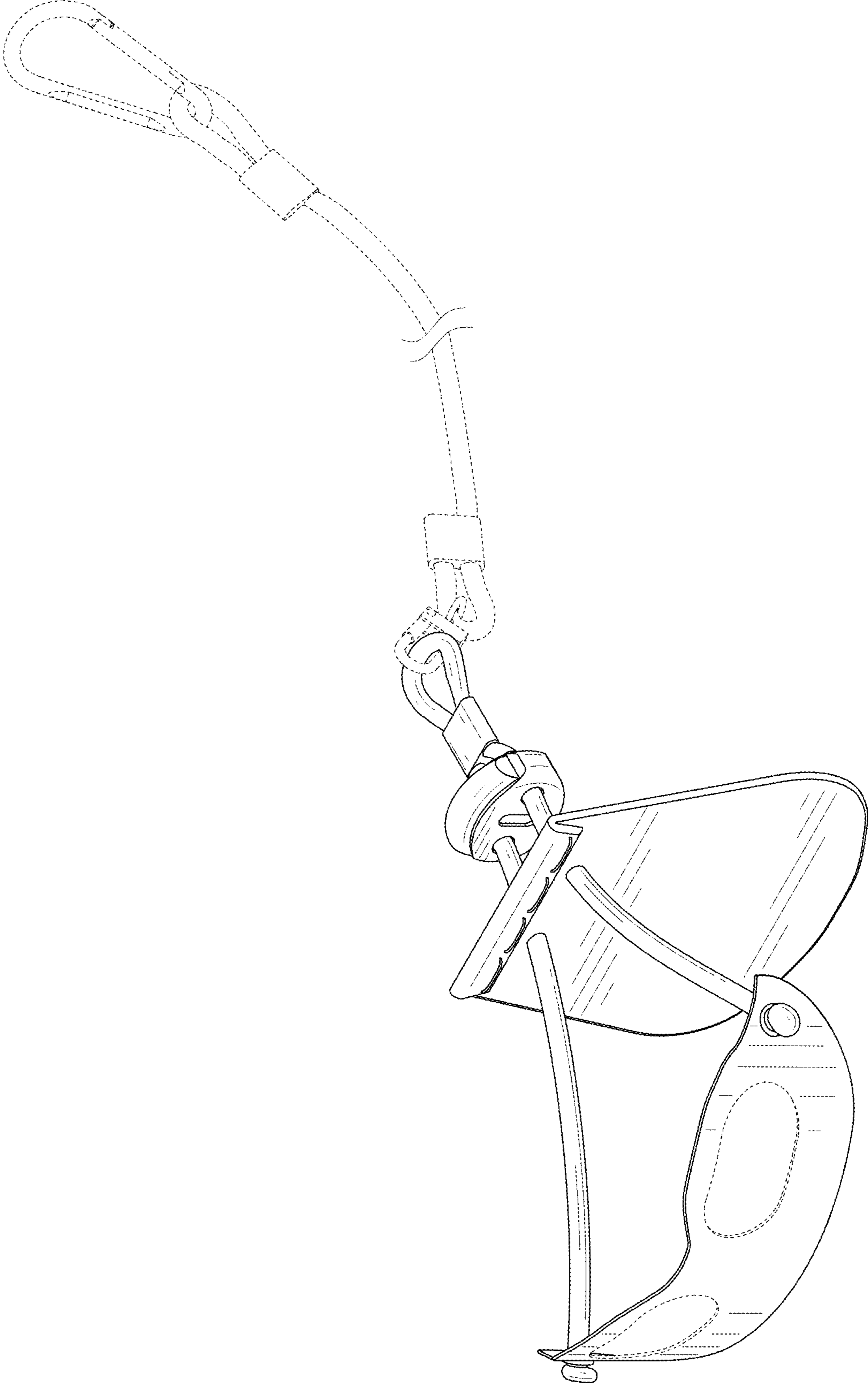


FIG. 1

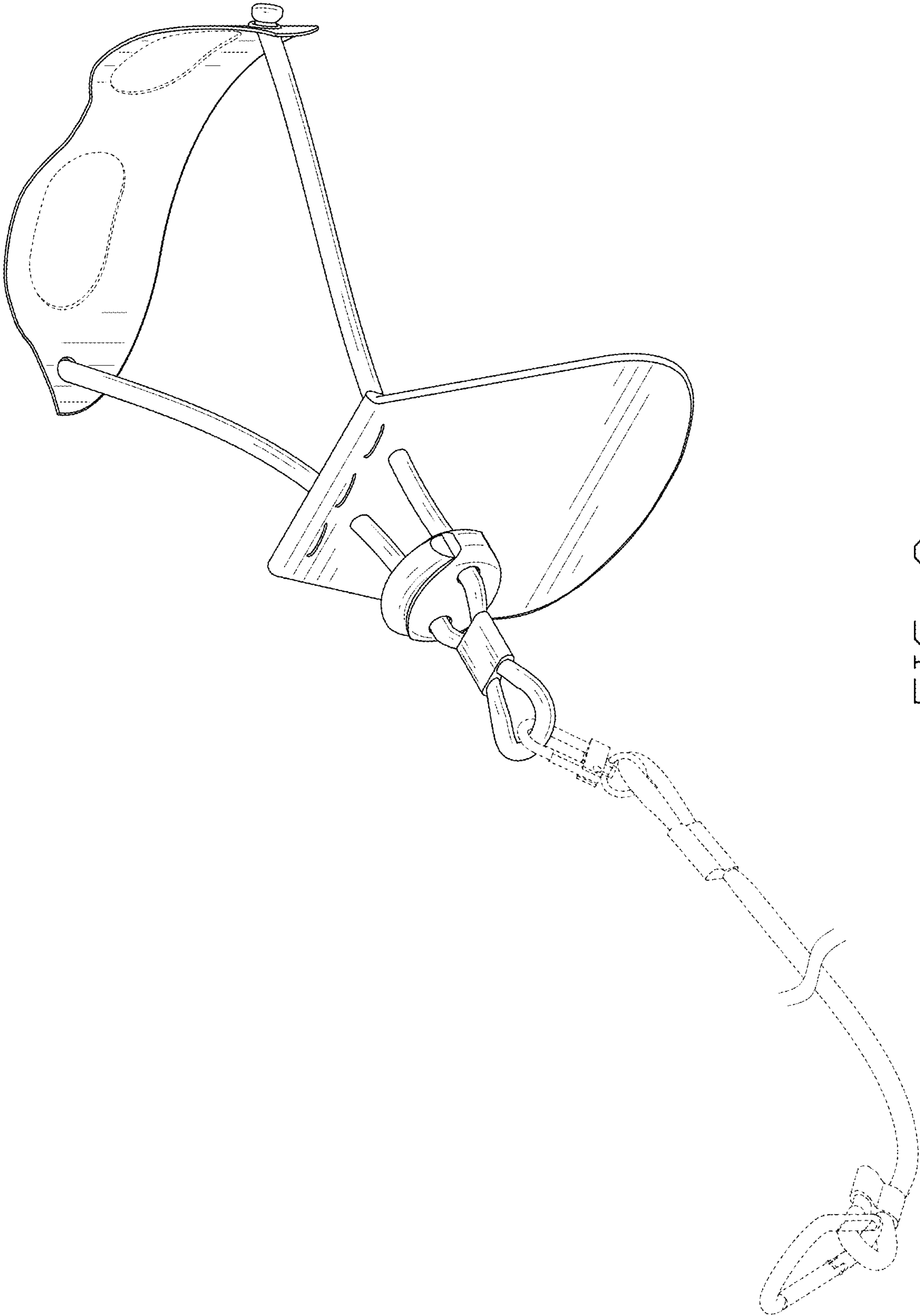


FIG. 2

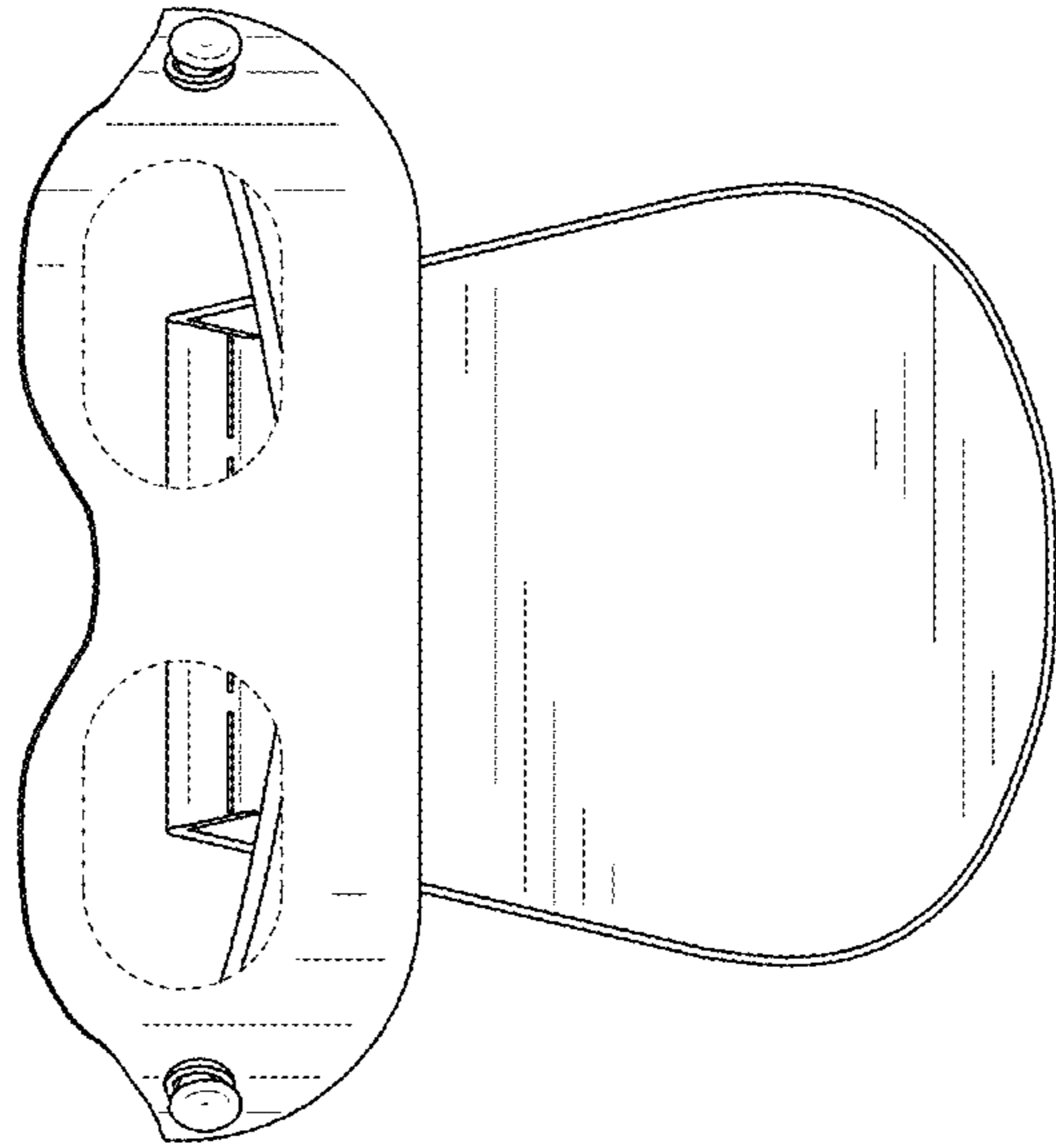


FIG. 3

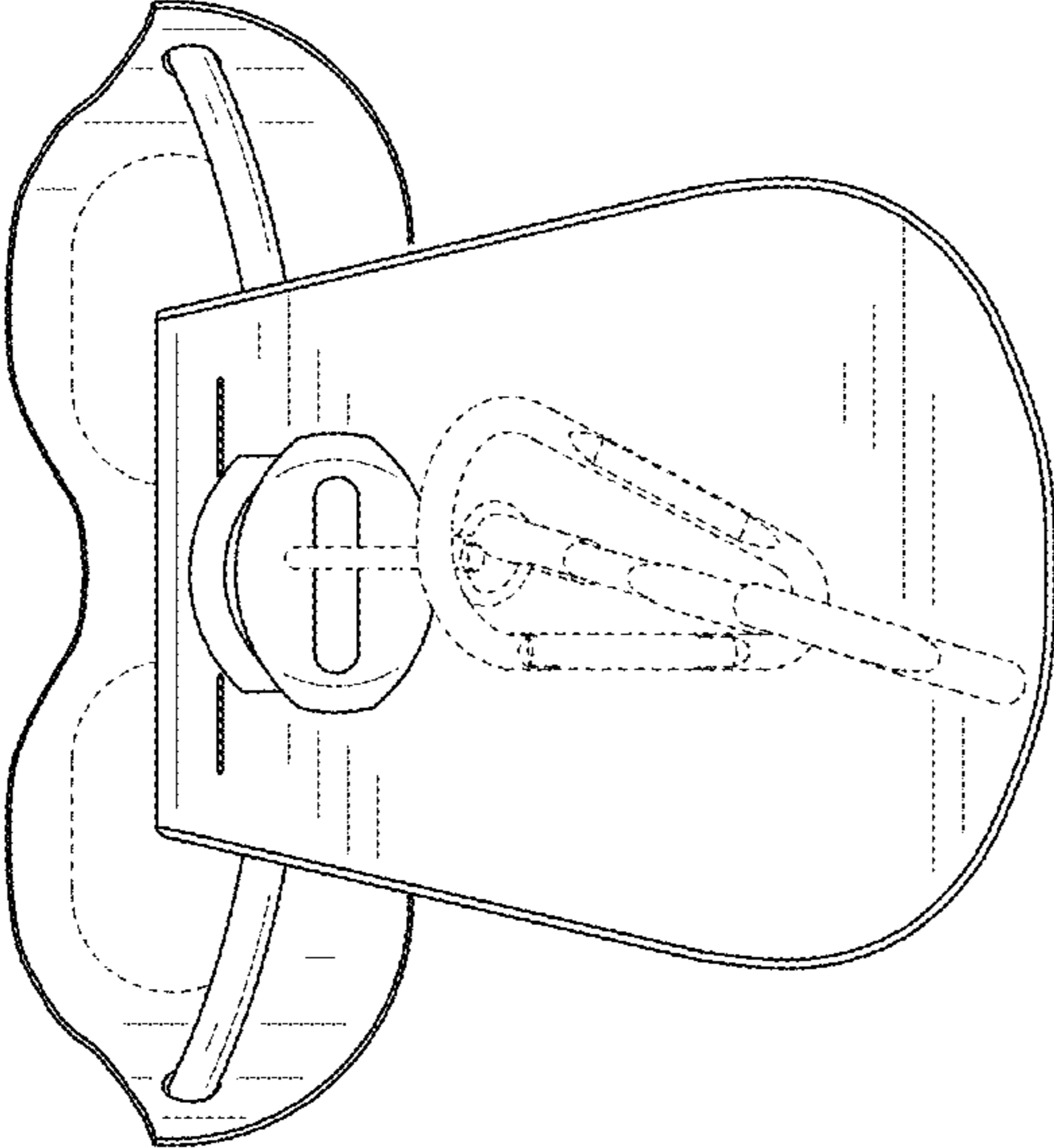


FIG. 4

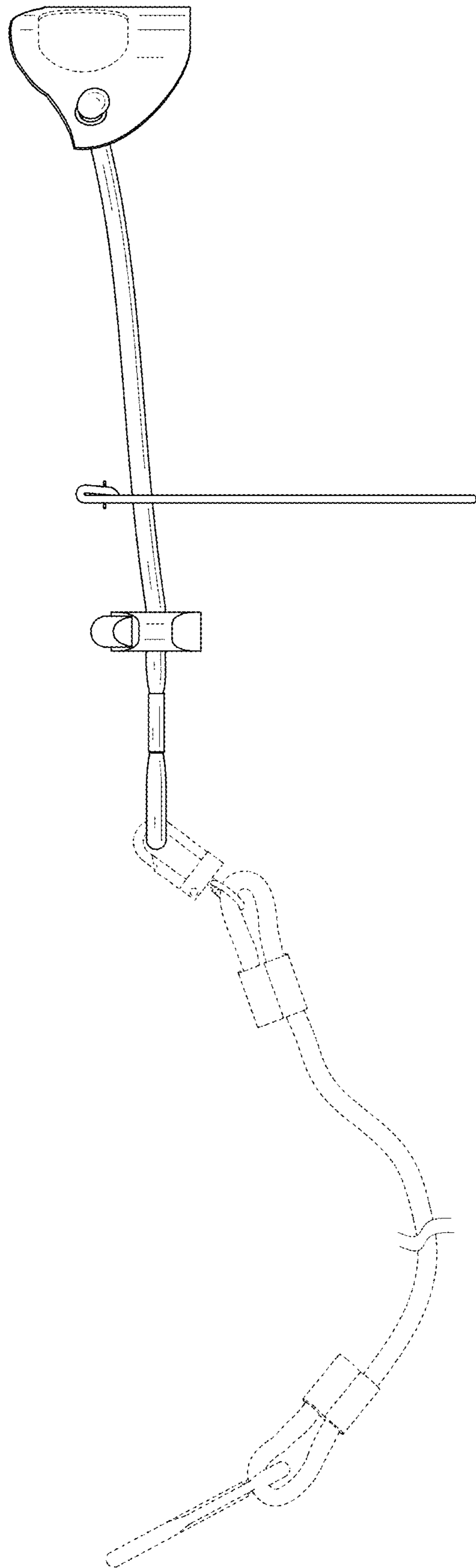


FIG. 5

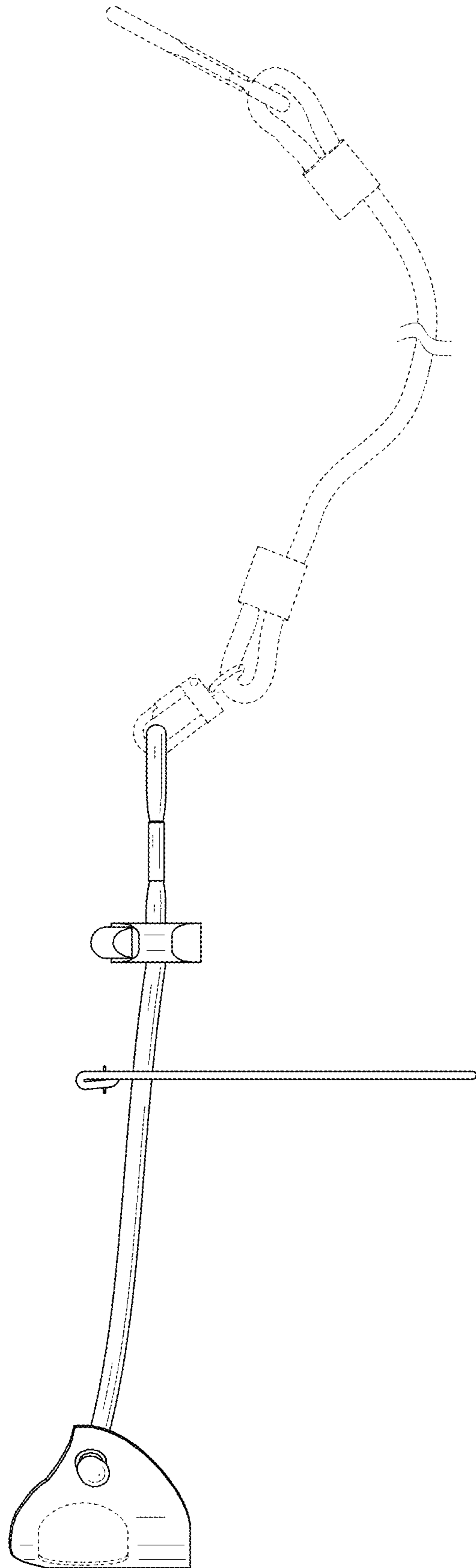


FIG. 6

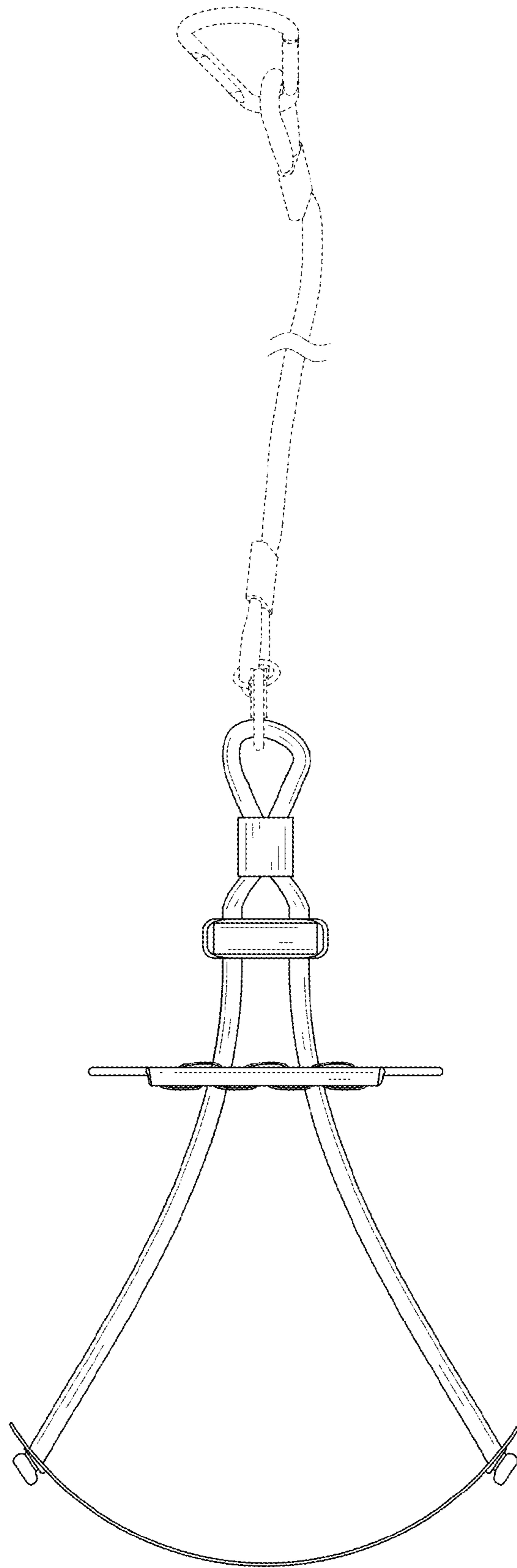


FIG. 7

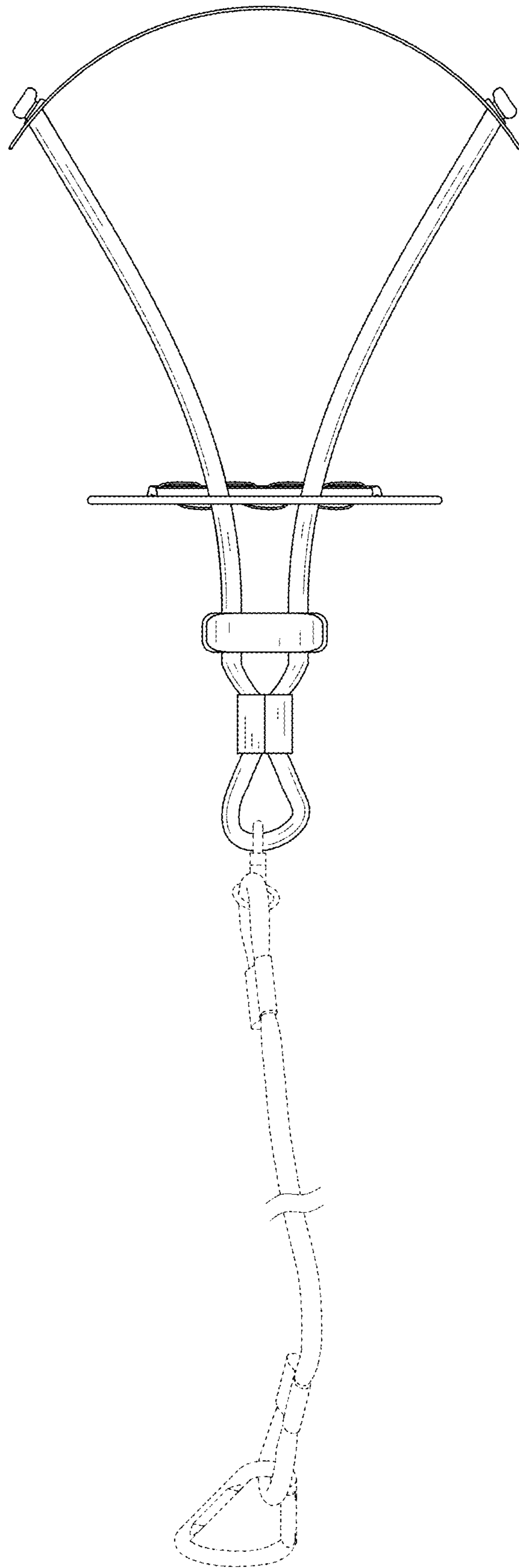


FIG. 8

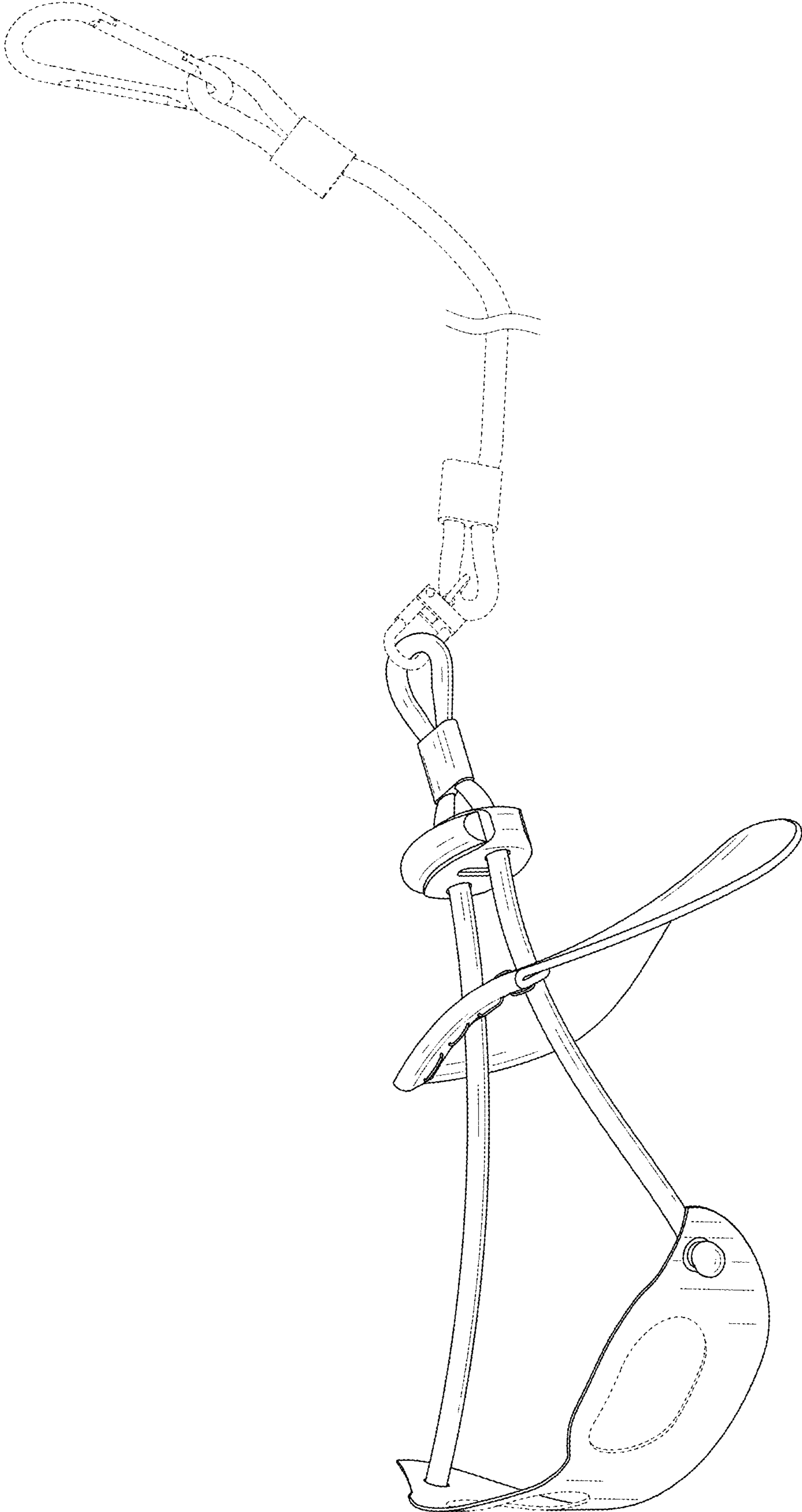


FIG. 9

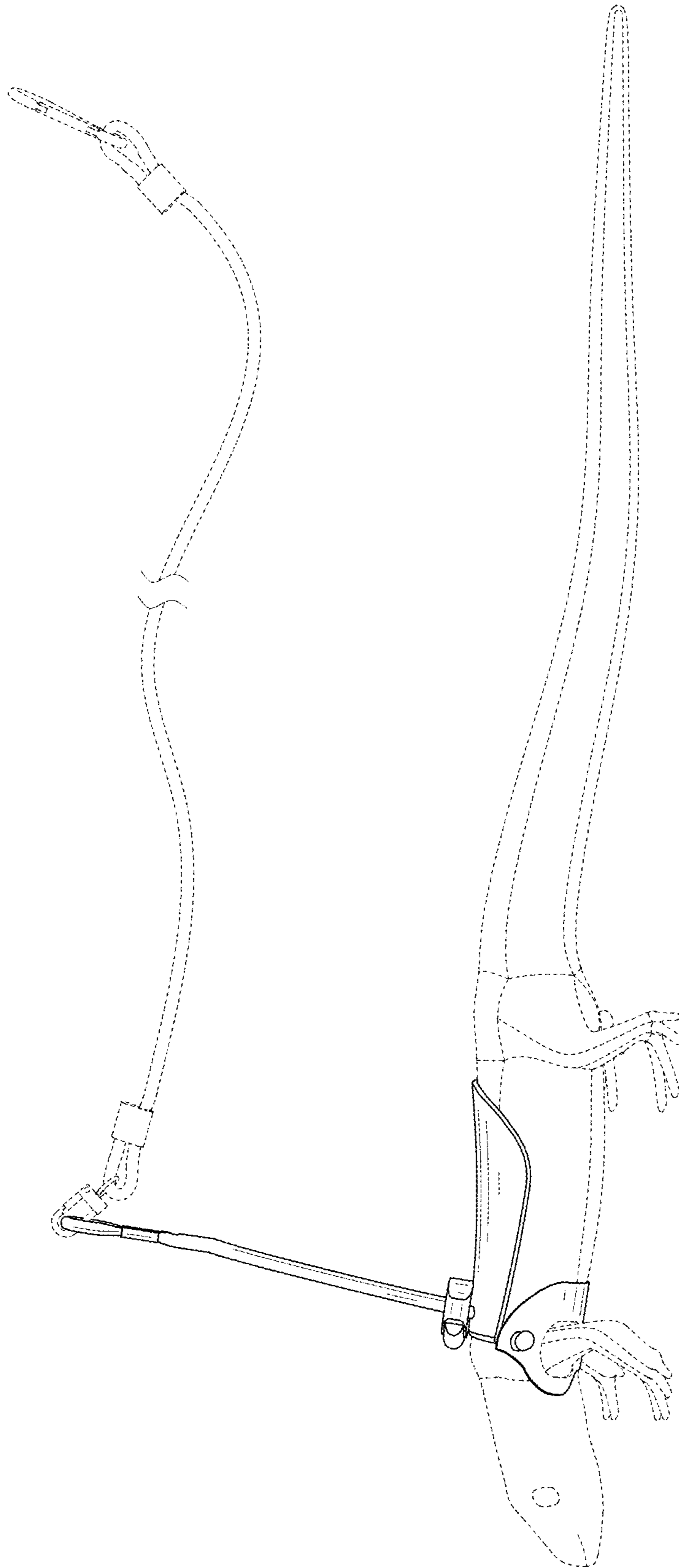


FIG. 10