



US00D877423S

(12) **United States Design Patent** (10) **Patent No.:** **US D877,423 S**
Worthey (45) **Date of Patent:** **** Mar. 3, 2020**

(54) **CRITTER COTTAGE**

(71) Applicant: **Carol A. Worthey**, Anamoose, ND (US)

(72) Inventor: **Carol A. Worthey**, Anamoose, ND (US)

(**) Term: **15 Years**

(21) Appl. No.: **29/675,954**

(22) Filed: **Jan. 7, 2019**

Related U.S. Application Data

(63) Continuation of application No. 29/584,409, filed on Nov. 14, 2016.

(51) **LOC (12) Cl.** **30-03**

(52) **U.S. Cl.**
USPC **D30/108**

(58) **Field of Classification Search**
USPC D30/108, 111-112, 114-115; 119/468, 119/482

CPC ... A01K 1/00; A01K 1/02; A01K 1/03; A01K 3/00; A01K 3/06; A01K 3/07; A01K 3/08; A01K 3/14; A01K 3/18; A01K 5/00; A01K 29/00

See application file for complete search history.

(56) **References Cited**

U.S. PATENT DOCUMENTS

3,861,356 A *	1/1975	Kulka	A01K 1/033 119/482
D334,634 S *	4/1993	Greitzer	D30/108
D336,541 S *	6/1993	Presser	D28/35
D461,024 S *	7/2002	Newdoll	D30/108
D468,872 S *	1/2003	Woehler	D30/108
D707,896 S *	6/2014	Renforth	D30/108
D713,605 S *	9/2014	Lipscomb	D30/108
2018/0338467 A1 *	11/2018	Satyaraj	A01K 1/0052

* cited by examiner

Primary Examiner — Manpreet S Matharu

Assistant Examiner — J. Thorn, Sr.

(74) *Attorney, Agent, or Firm* — Dunlap Bennett & Ludwig PLLC

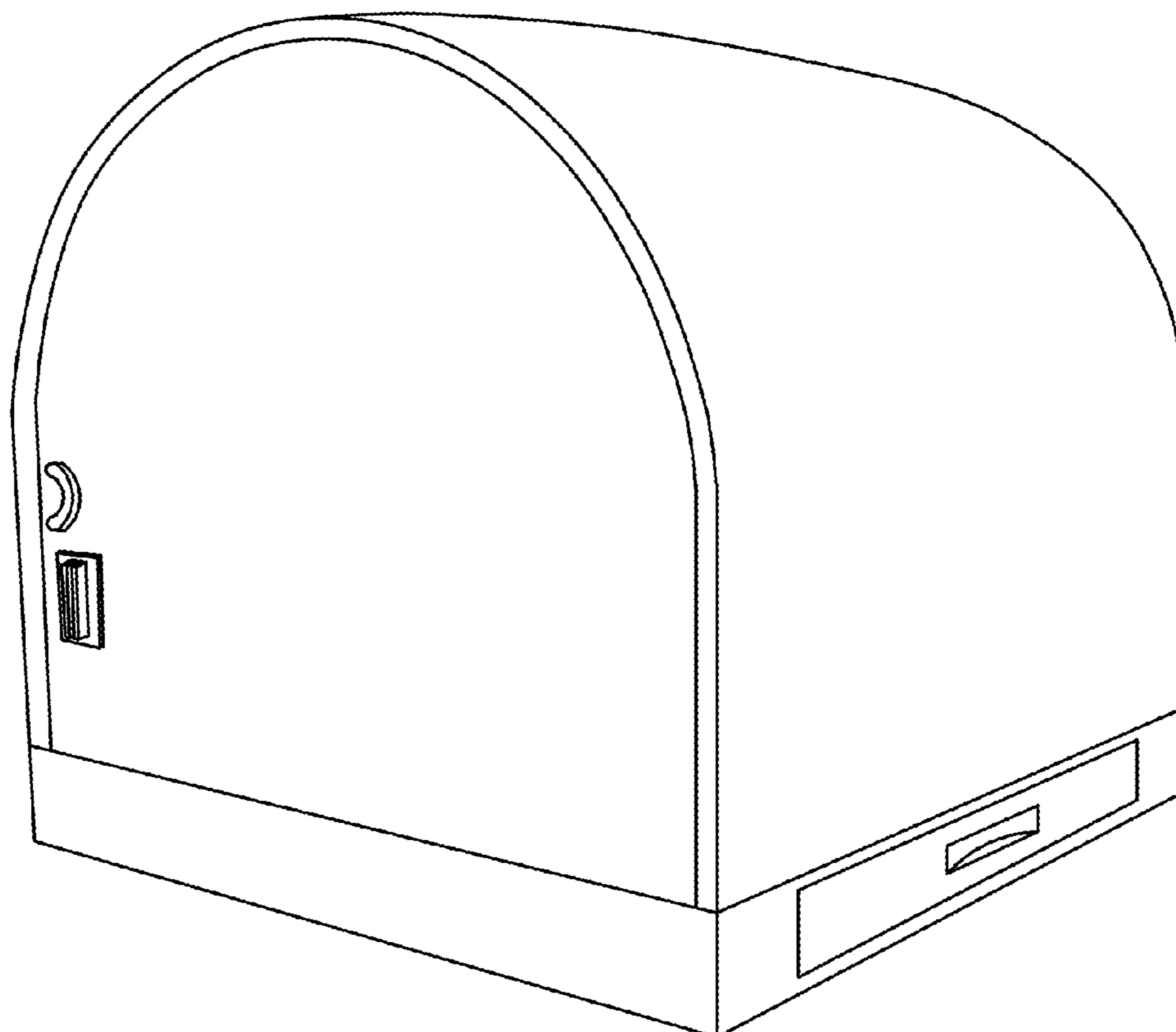
(57) **CLAIM**

The ornamental design for a critter cottage, as shown and described.

DESCRIPTION

FIG. 1 is a front perspective view of a critter cottage; FIG. 2 is a front elevation view thereof; FIG. 3 is a rear elevation view thereof; FIG. 4 is a left side elevation view thereof; FIG. 5 is a right side elevation view thereof; FIG. 6 is a top elevation view thereof; and, FIG. 7 is a bottom elevation view thereof.

1 Claim, 7 Drawing Sheets



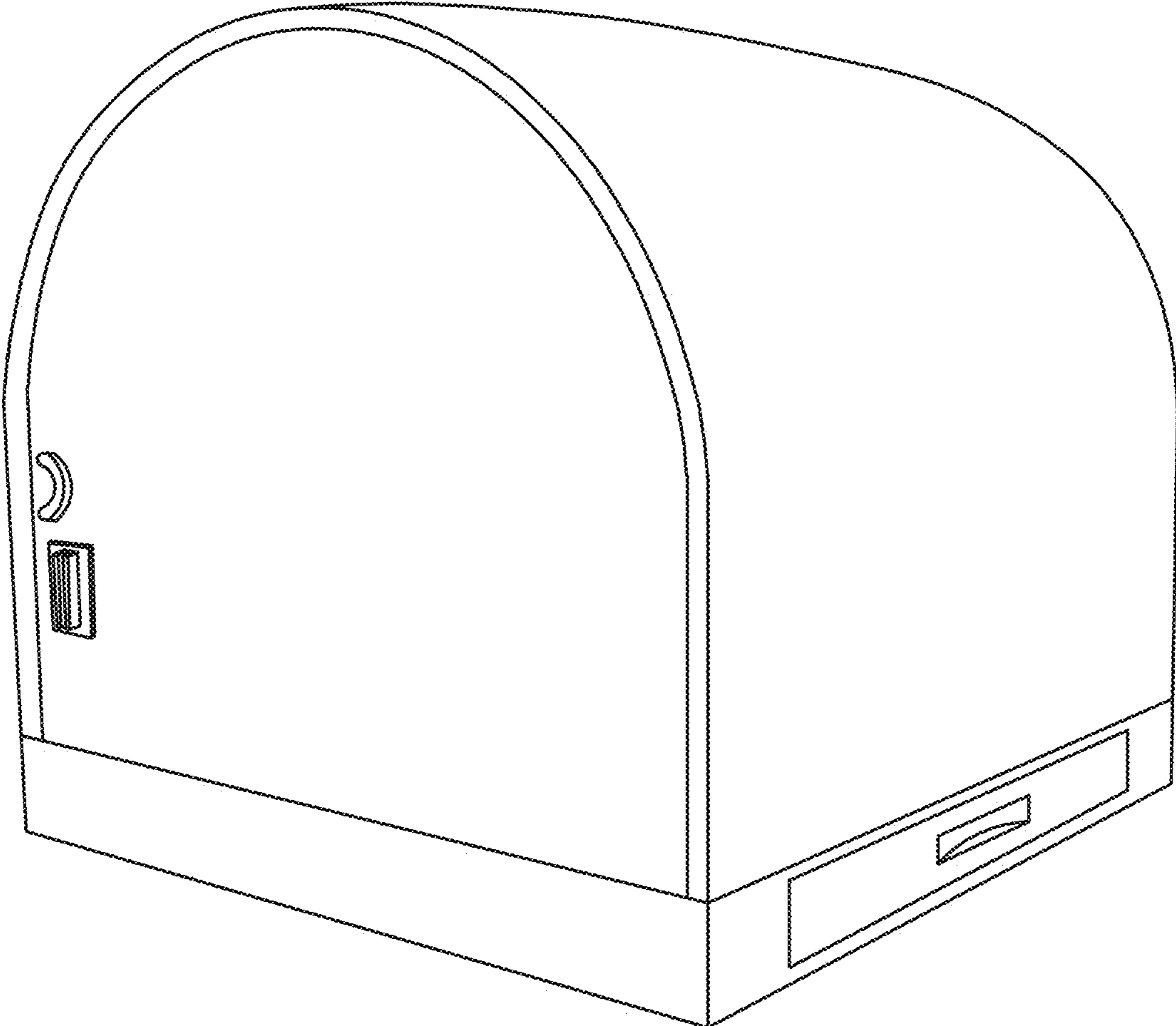


FIG. 1

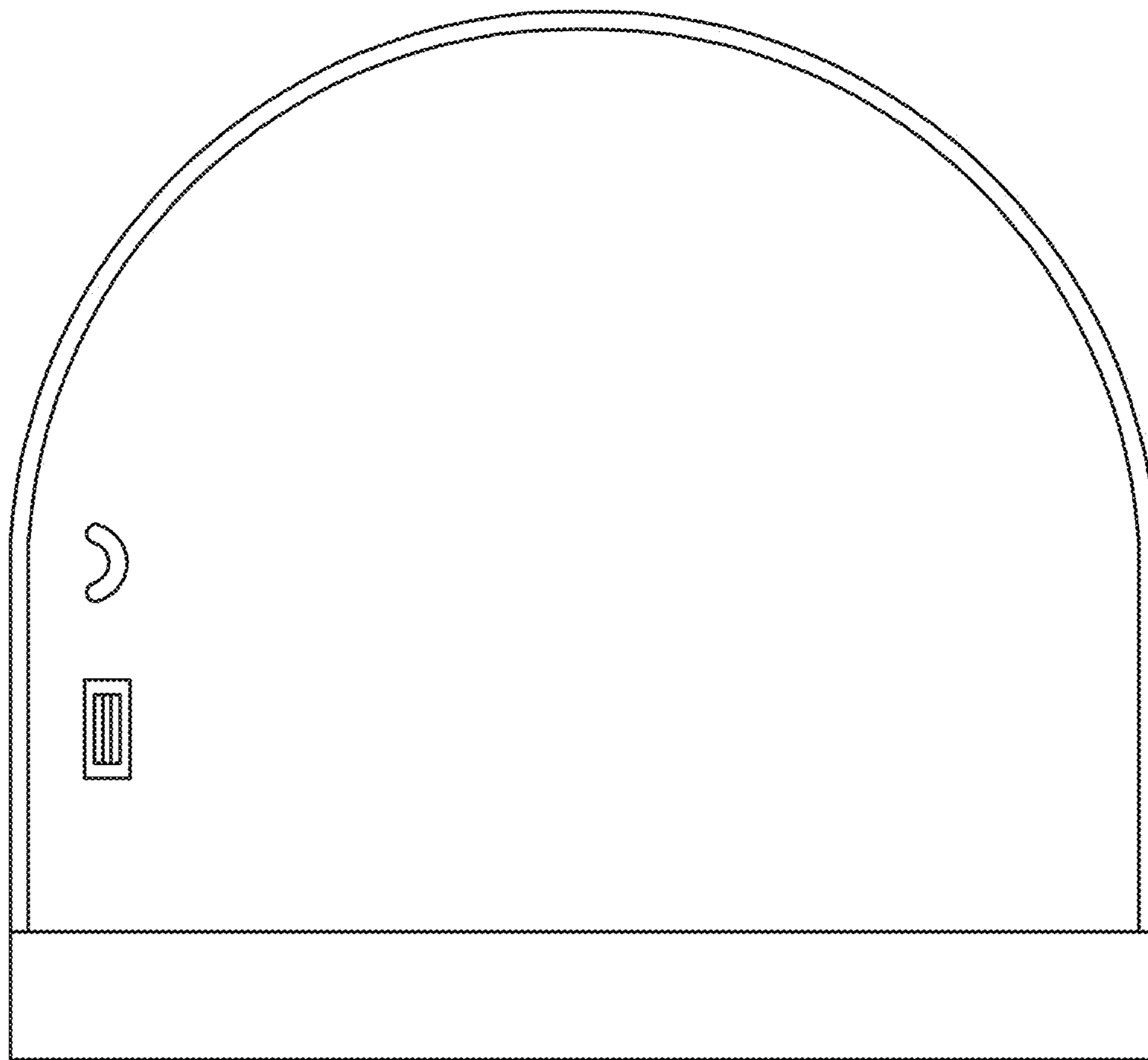


FIG. 2

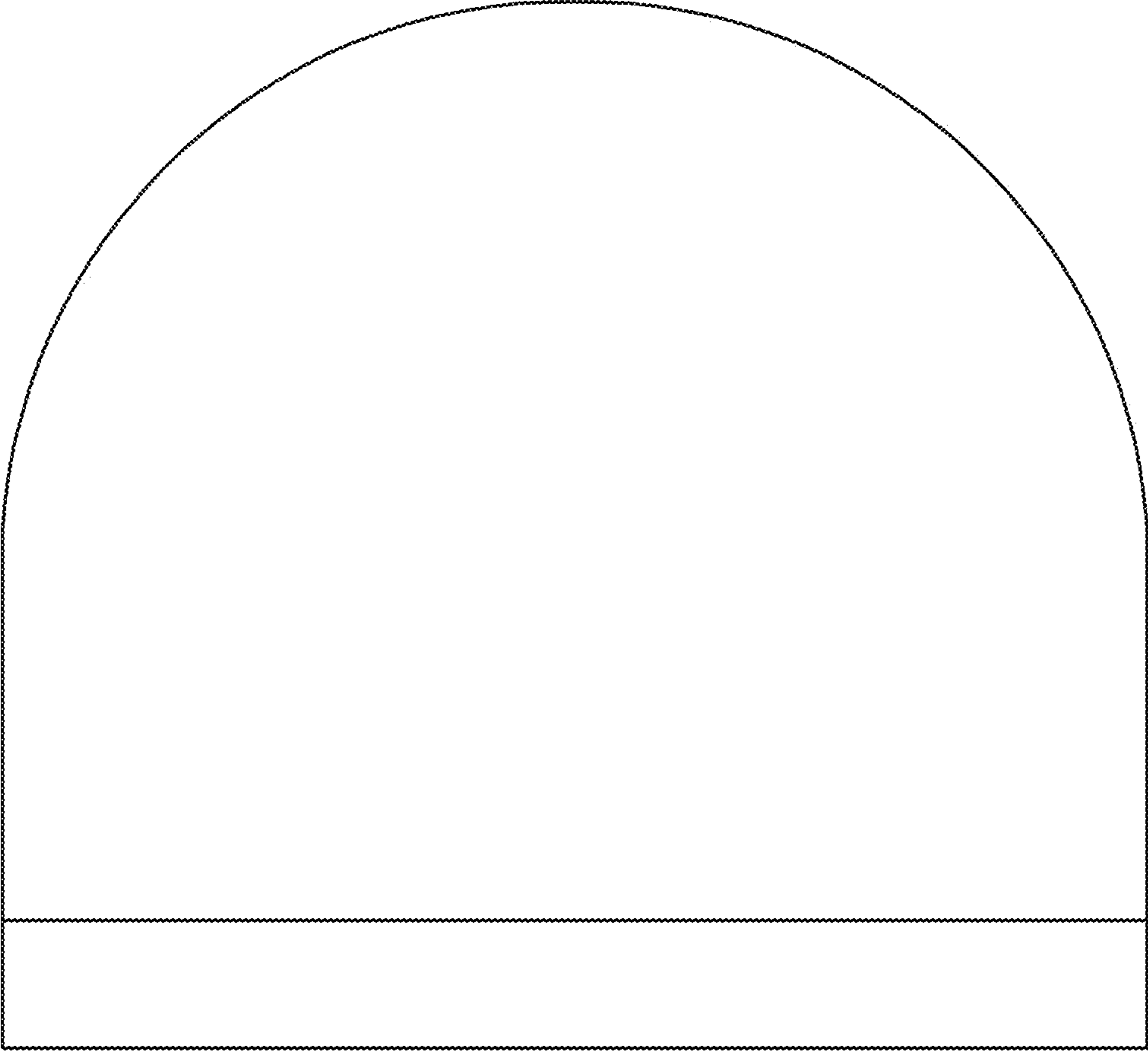


FIG. 3

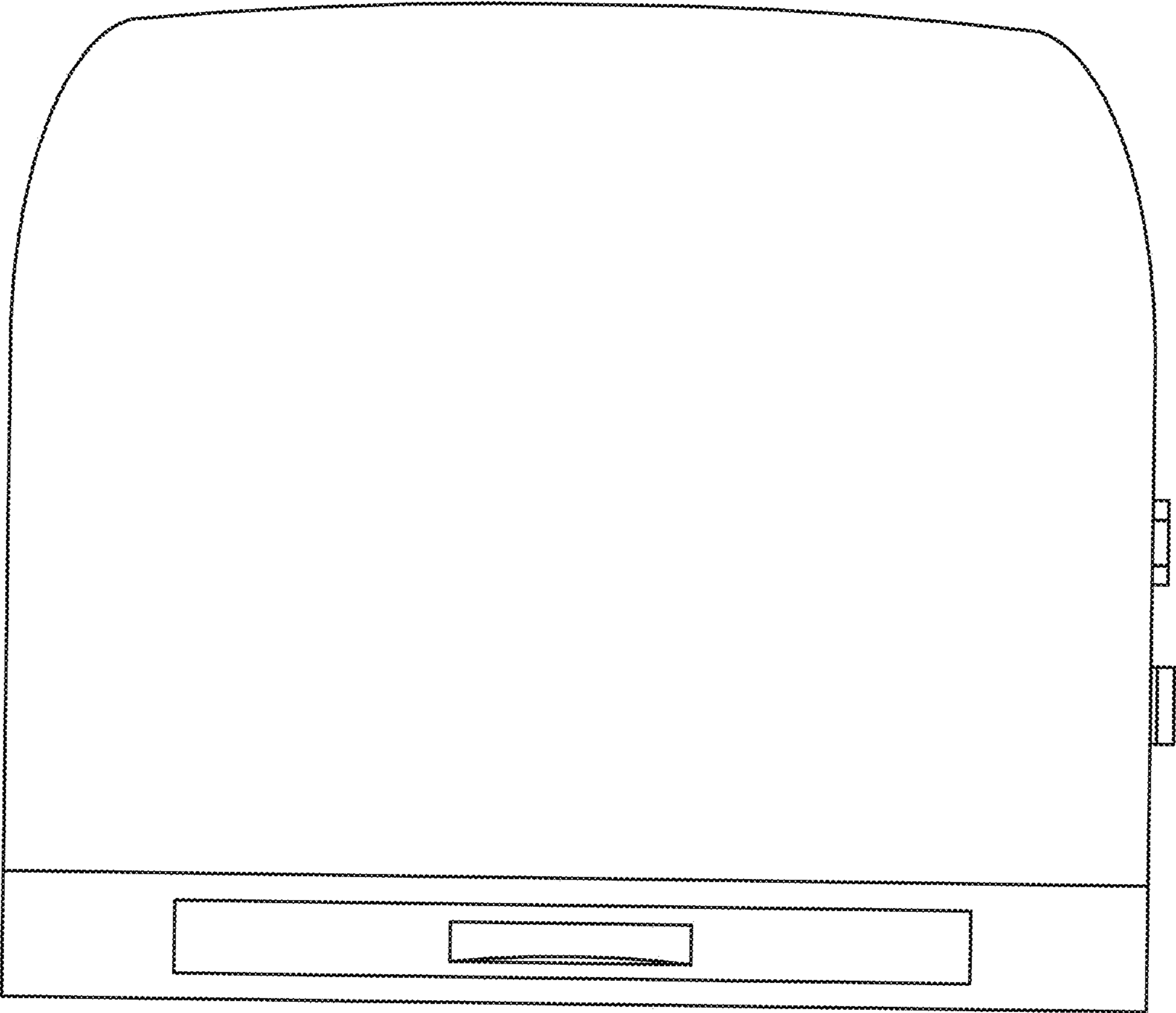


FIG. 4

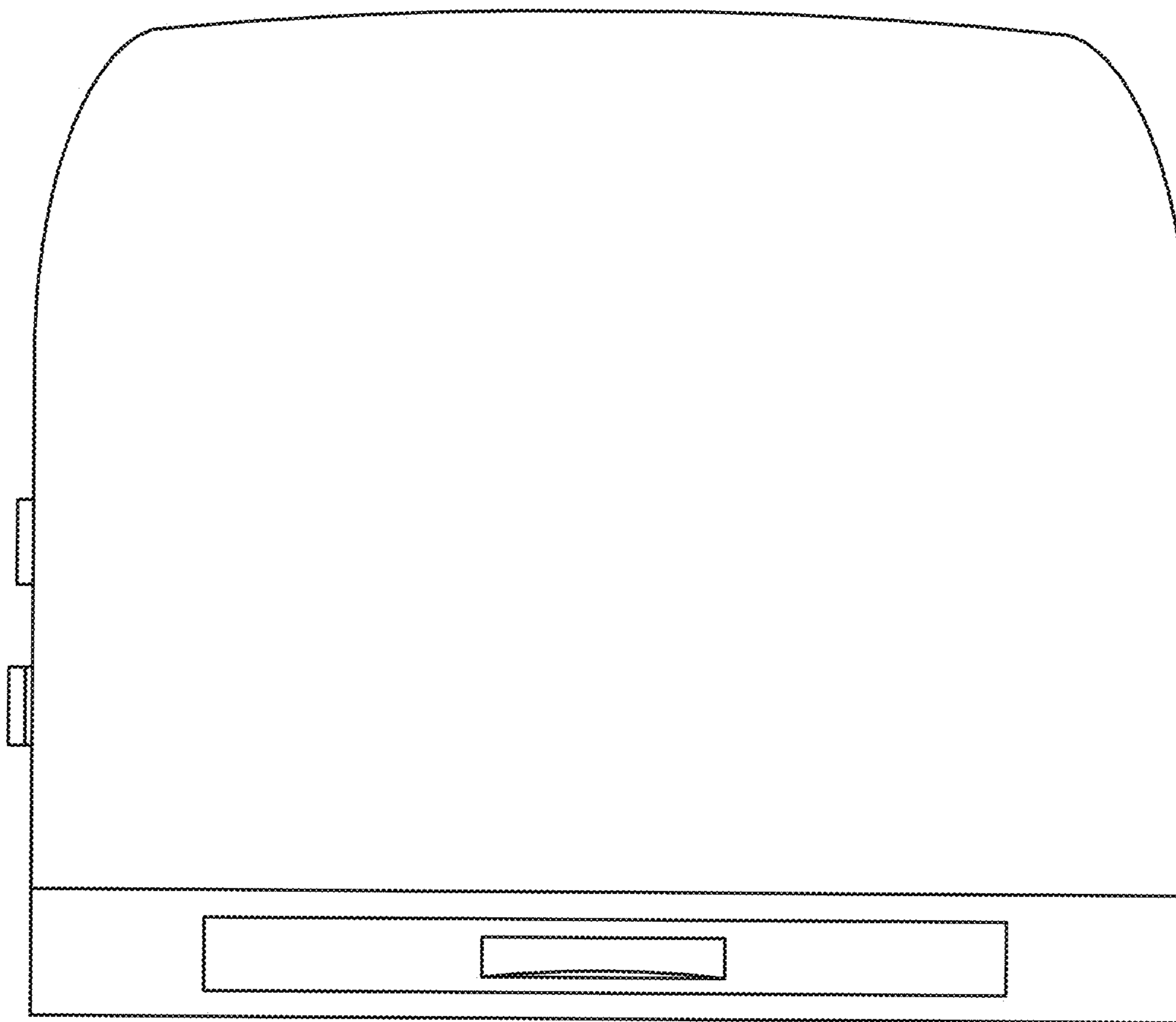


FIG. 5



FIG. 6

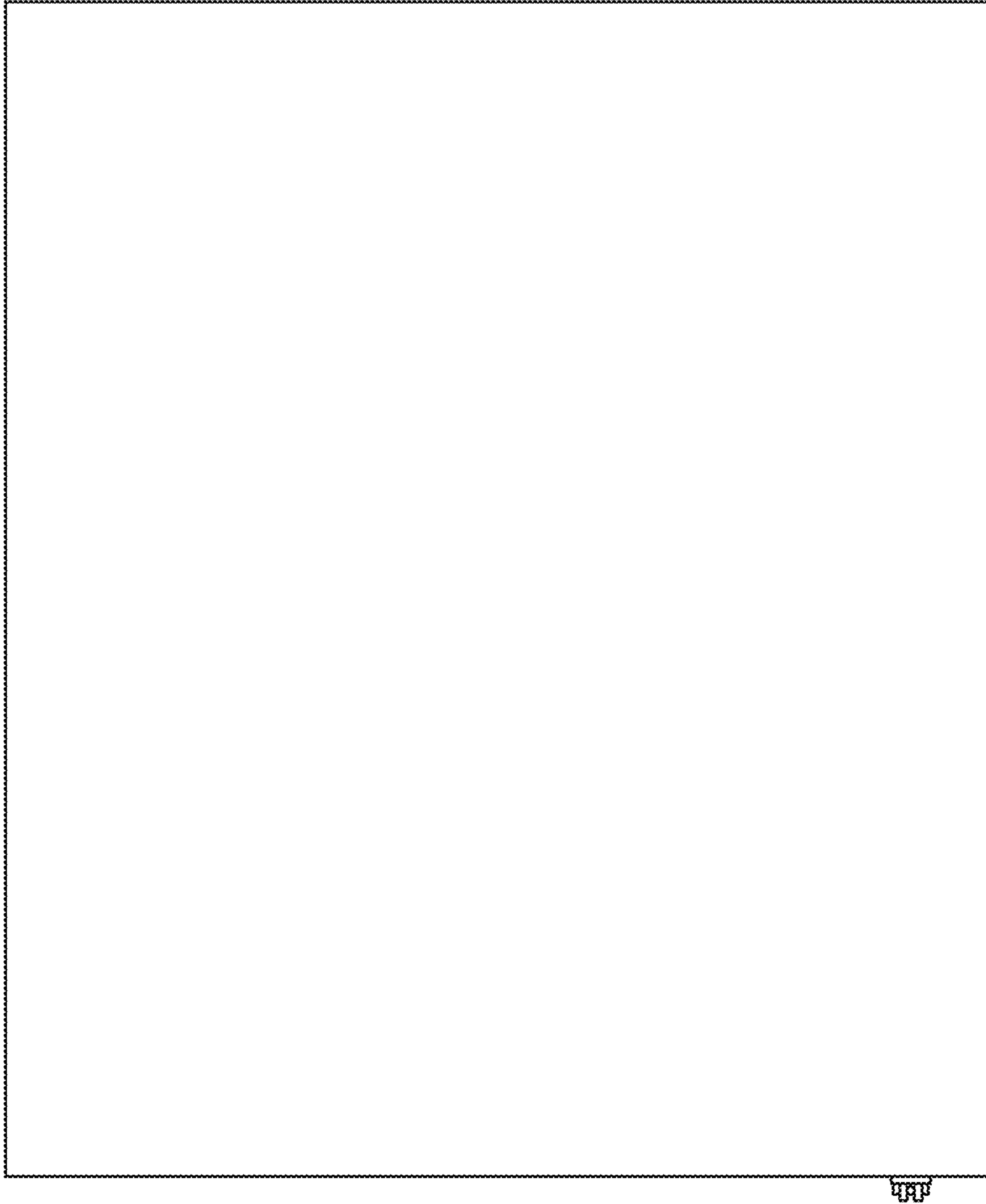


FIG. 7