



US00D877422S

(12) **United States Design Patent** (10) **Patent No.:** **US D877,422 S**
Lebel et al. (45) **Date of Patent:** **** Mar. 3, 2020**

(54) **EAR CUP**
(71) Applicant: **GALVION Ltd.**, Portsmouth, NH (US)
(72) Inventors: **Stéphane Lebel**, St. Redempteur (CA);
Louis-Philippe Brunelle, Brossard (CA); **Eric John Georges Andrasi**,
Ottawa (CA); **Ginnette Taylor**, Carp (CA); **Lindsay Faye Slater**, Montreal (CA); **Daniel Rowell**, Brentwood, NH (US)
(73) Assignee: **GALVION Ltd.**, Portsmouth, NH (US)

3,051,961 A * 9/1962 Clark A61F 11/14
2/209
D298,670 S * 11/1988 Palmaer D14/205
D313,092 S * 12/1990 Nilsson D14/205
D375,584 S * 11/1996 Westerdal D29/112
D385,665 S * 10/1997 Westerdal D29/112
D390,564 S * 2/1998 Savona D14/205
D403,126 S * 12/1998 Scanlon D29/112
D411,200 S * 6/1999 Almqvist D14/192
D413,413 S * 8/1999 Dillon D14/205
D427,382 S * 6/2000 Leight D29/112
D434,191 S * 11/2000 Emilsson D29/112
D459,033 S * 6/2002 Dix D29/112
D459,034 S * 6/2002 Dix D29/112

(Continued)

(**) Term: **15 Years**

FOREIGN PATENT DOCUMENTS

(21) Appl. No.: **29/621,349**
(22) Filed: **Oct. 6, 2017**
(51) **LOC (12) Cl.** **29-02**
(52) **U.S. Cl.**
USPC **D29/112; D14/205**
(58) **Field of Classification Search**
USPC D29/100, 102, 105, 106, 108, 112, 122;
D14/205, 206, 223
CPC A42B 3/16; A42B 3/163; A42B 3/166;
A61F 11/06; A61F 11/08; A61F 11/10;
A61F 11/12; A61F 11/14; A61F
2011/085; H04R 1/10; H04R 1/1008;
H04R 1/1016; H04R 1/105; H04R
1/1058; H04R 1/1066; H04R 1/1075;
H04R 1/1083; H04R 5/0335; H04R
25/652; H04R 25/654; H04R 25/656;
A63B 71/10
See application file for complete search history.

EP 0 484 306 A1 5/1992
WO WO 2006/043045 4/2006

Primary Examiner — Elizabeth J Oswecki
(74) *Attorney, Agent, or Firm* — Wolf, Greenfield & Sacks, P.C.

(57) **CLAIM**

The ornamental design for ear cup, as shown and described.

DESCRIPTION

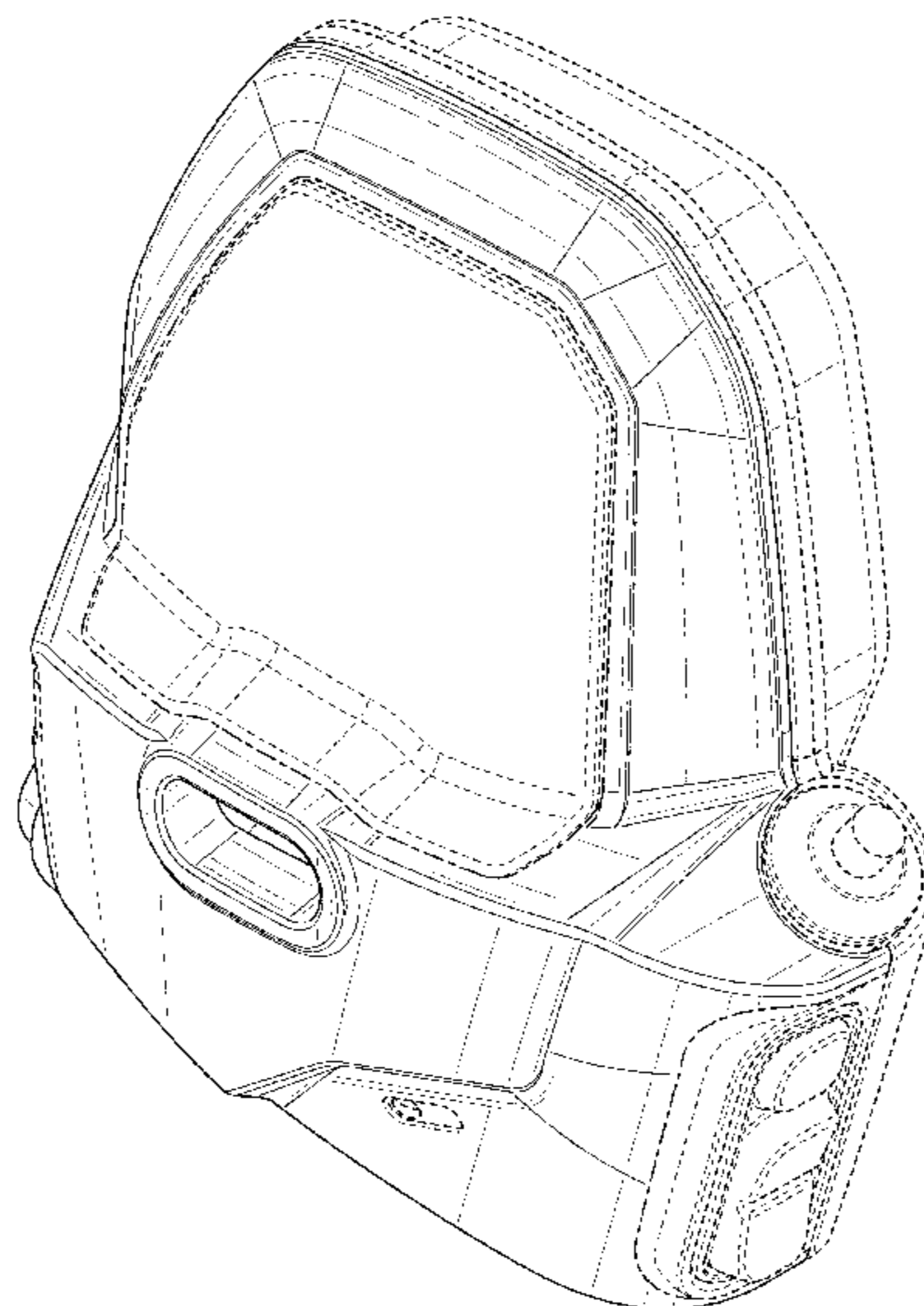
FIG. 1 is a top, front, right side perspective view of an ear cup showing our new design;
FIG. 2 is a front elevation view thereof;
FIG. 3 is a rear elevation view thereof;
FIG. 4 is a left side elevation view thereof;
FIG. 5 is a right side elevation view thereof;
FIG. 6 is a top plan view thereof; and,
FIG. 7 is a bottom plan view thereof.
The small dash-long dash broken lines in the figures represent boundaries of the claimed design and form no part thereof. All other broken lines illustrate portions of the ear cup that form no part of the claimed design.

(56) **References Cited**

U.S. PATENT DOCUMENTS

2,883,671 A * 4/1959 Hornickel A61F 11/14
2/209
2,981,958 A * 5/1961 Wadsworth A61F 11/14
2/209

1 Claim, 7 Drawing Sheets



(56)

References Cited

U.S. PATENT DOCUMENTS

D465,616 S * 11/2002 Nilsson A61F 11/14
D29/112
6,678,897 B2 1/2004 Lindgren
D544,650 S 6/2007 Westerdal
7,978,870 B2 7/2011 Cozens et al.
D651,764 S * 1/2012 Gresko A61F 11/14
D29/112
8,130,970 B2 3/2012 Heringslack
8,189,801 B2 5/2012 Heringslack
D663,900 S * 7/2012 Karlsson A61F 11/14
D29/112
D735,419 S * 7/2015 Rose D29/112
D747,557 S * 1/2016 Bonney D29/112
D752,816 S * 3/2016 Fletcher D29/112
D753,884 S * 4/2016 Bonney D29/112
D764,717 S * 8/2016 Fletcher D29/112
D766,520 S * 9/2016 Fletcher D29/112
D789,615 S * 6/2017 Pratley D29/112
D805,697 S * 12/2017 Pratley D29/112
D807,584 S * 1/2018 Fletcher D29/112
D821,653 S * 6/2018 Pratley D29/112
D834,260 S * 11/2018 Garcia Mansilla D29/112
D848,396 S * 5/2019 Wilson D14/205
D848,679 S * 5/2019 Wilson D29/112
D851,839 S * 6/2019 Scanlon D29/112
2006/0090246 A1 5/2006 Cozens et al.

* cited by examiner

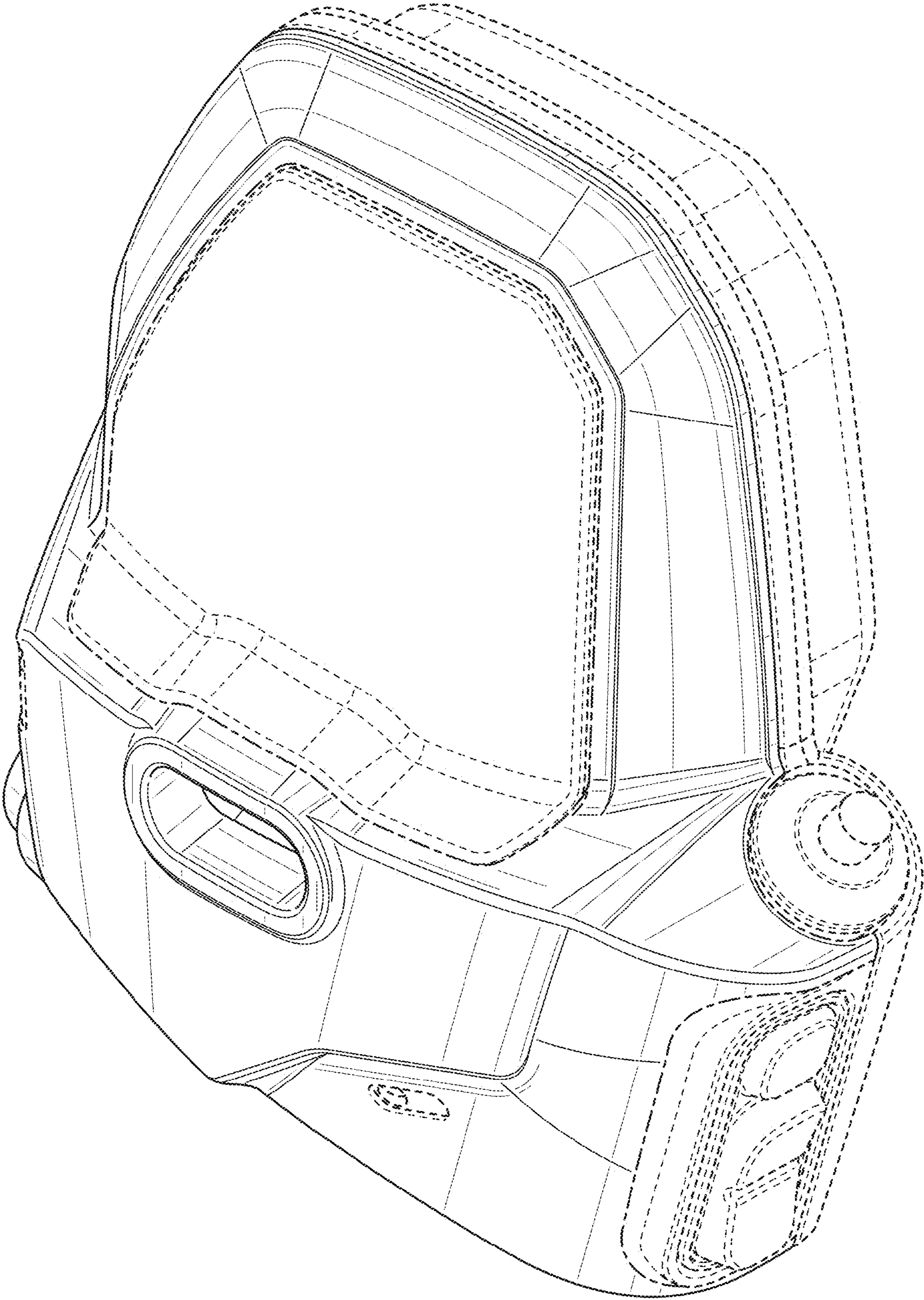


FIG. 1

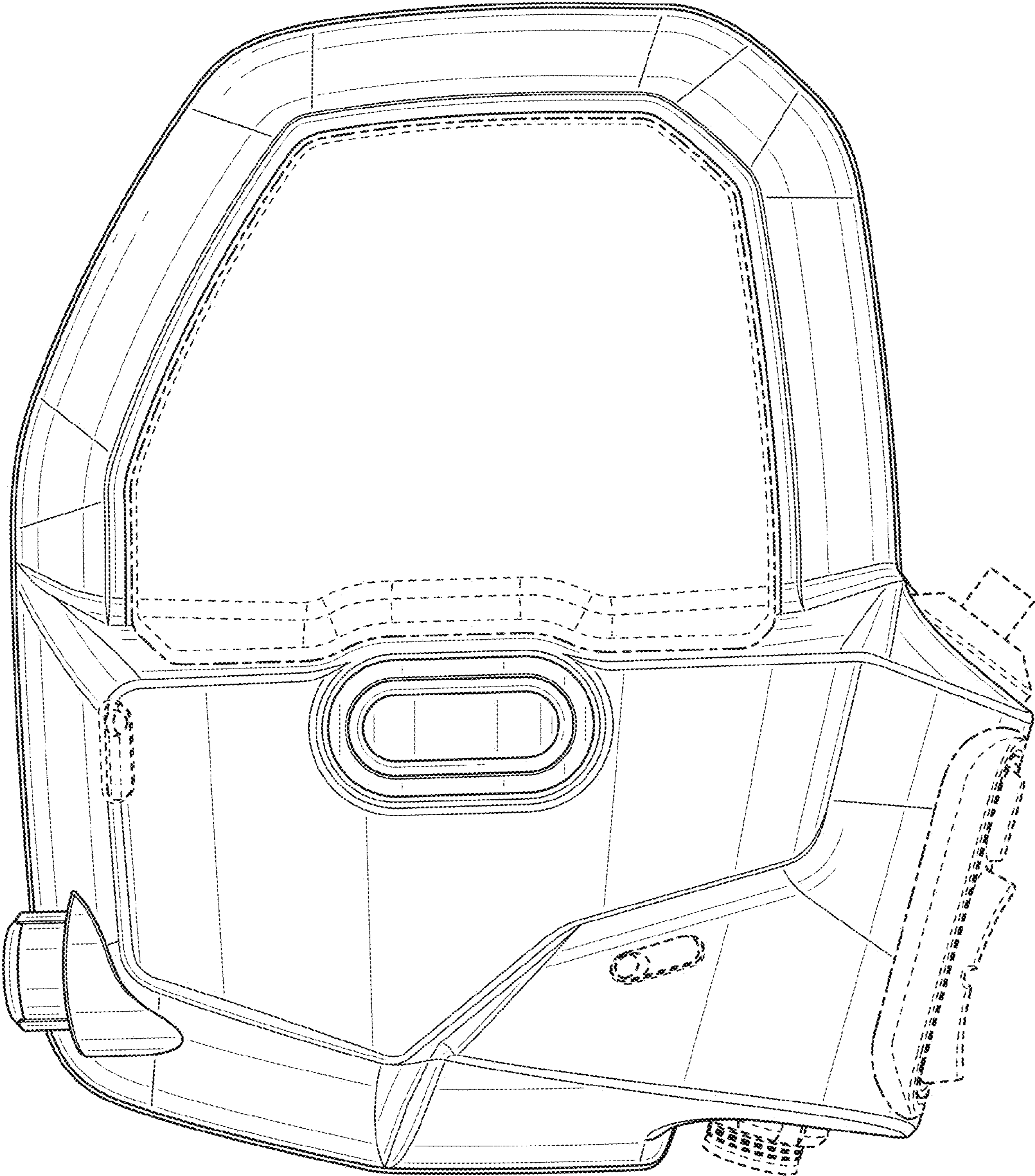


FIG. 2

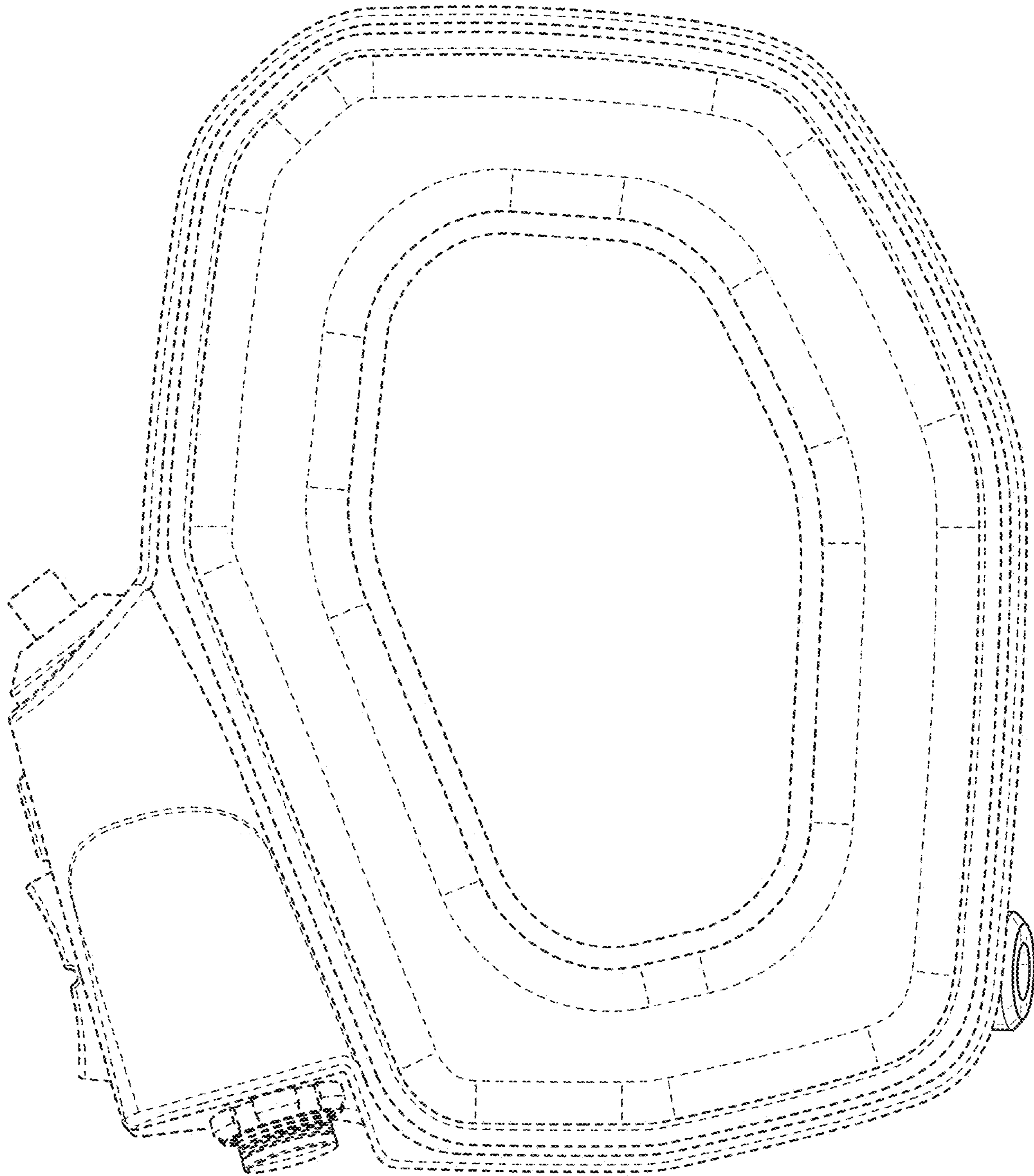


FIG. 3

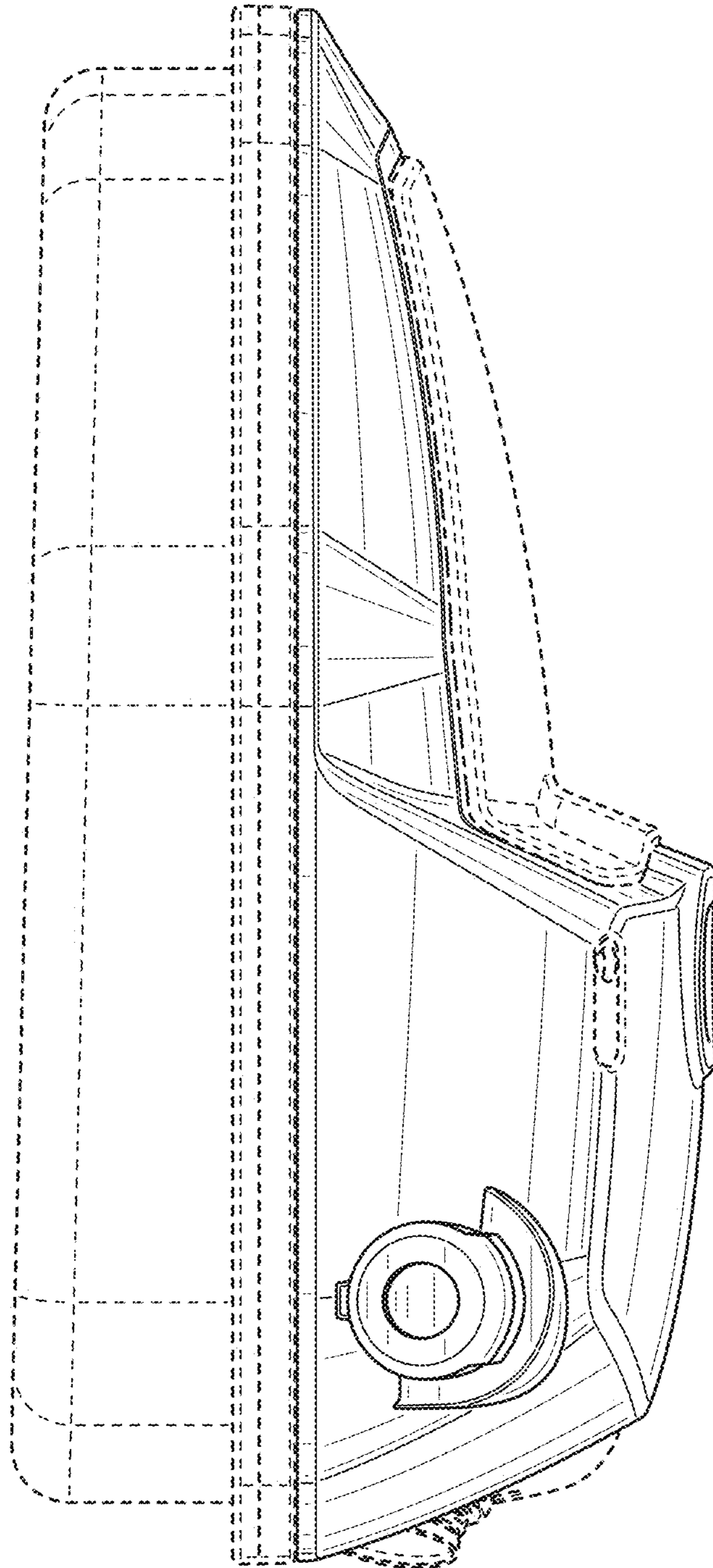


FIG. 4

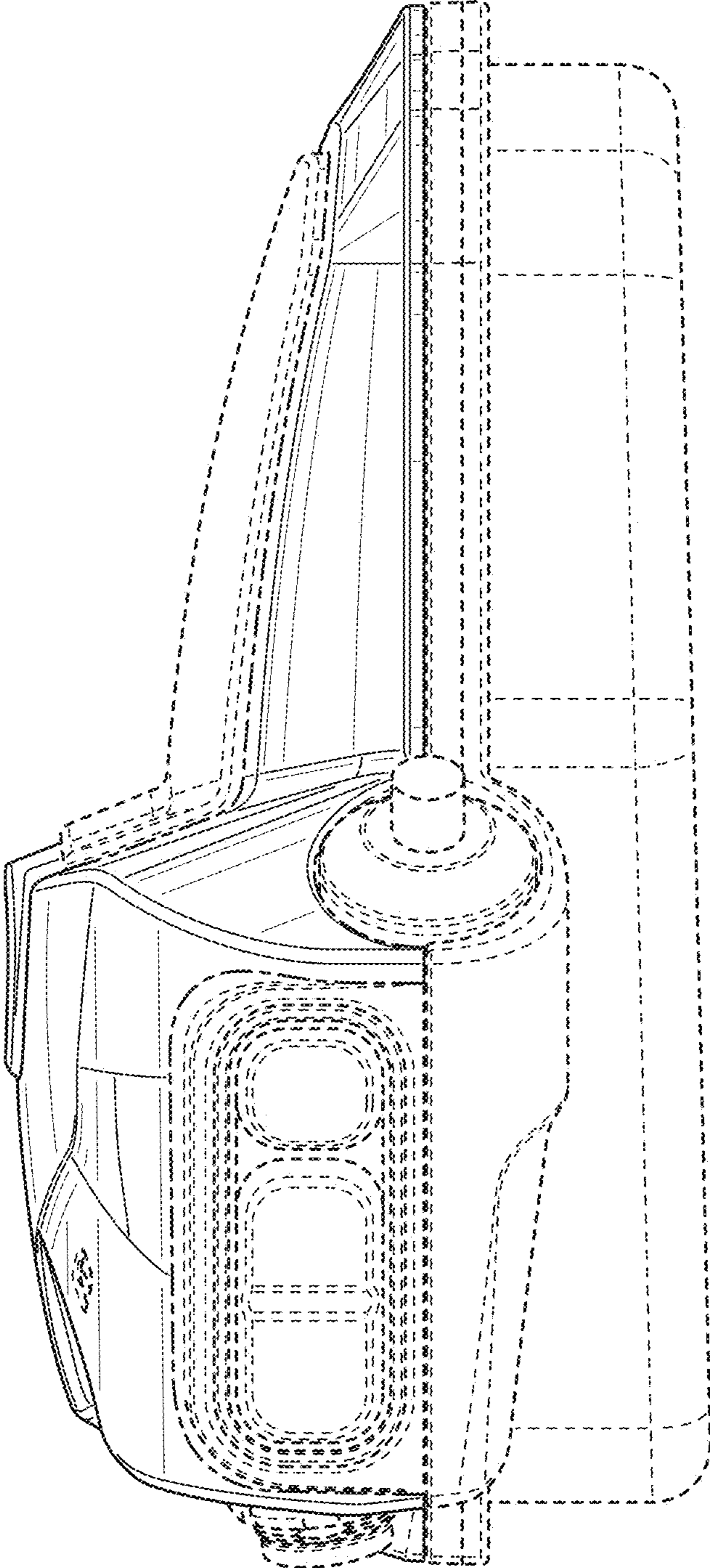


FIG. 5

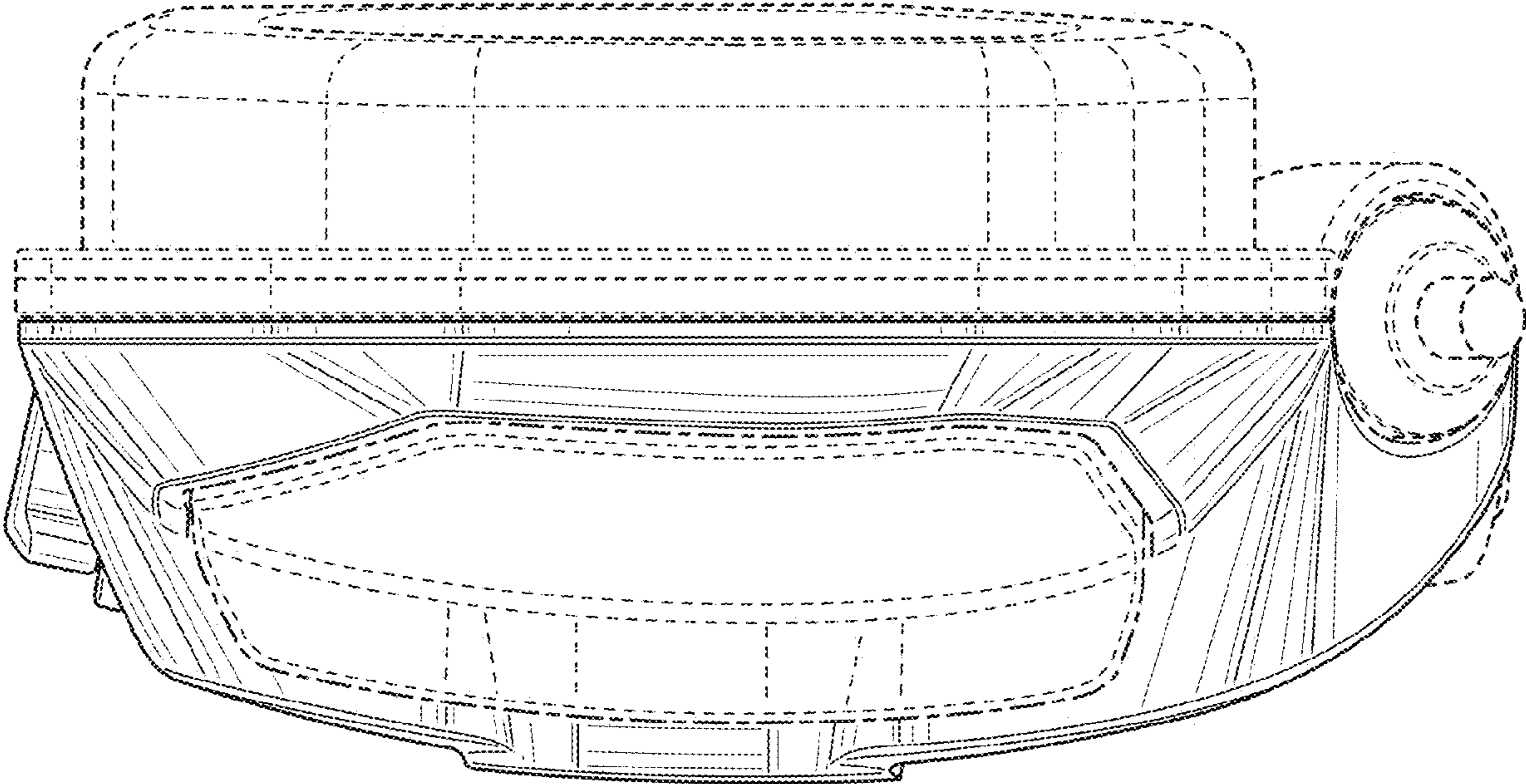


FIG. 6

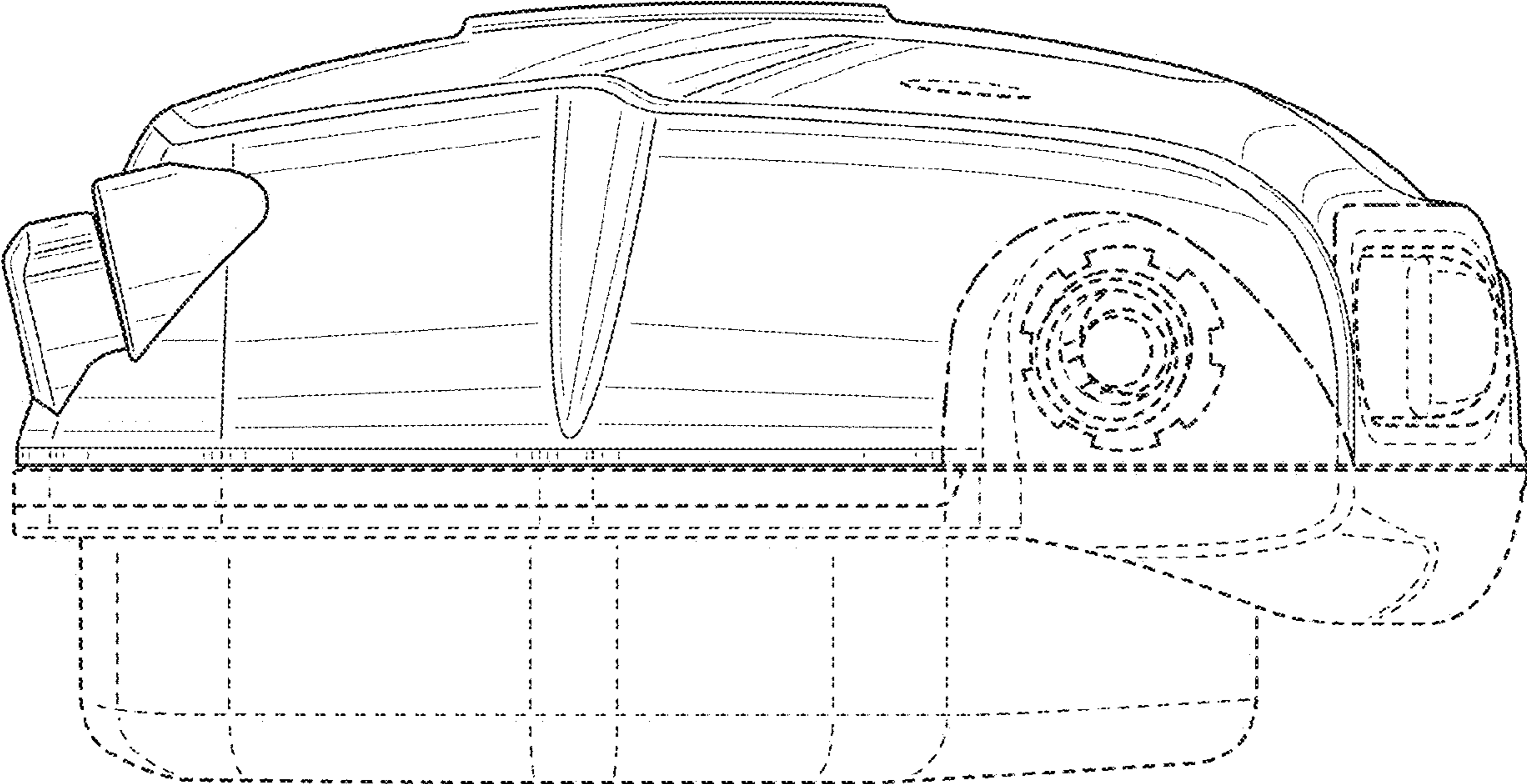


FIG. 7