



US00D877421S

(12) **United States Design Patent**
Francis et al.

(10) **Patent No.:** **US D877,421 S**
(45) **Date of Patent:** **** Mar. 3, 2020**

(54) **WELDING MASK**

(71) Applicant: **BLACK & DECKER INC.**, New Britain, CT (US)

(72) Inventors: **Matthew C. Francis**, Baltimore, MD (US); **Tylan A. Tschopp**, Baltimore, MD (US)

(73) Assignee: **BLACK & DECKER, INC.**, New Britain, CT (US)

(**) Term: **15 Years**

(21) Appl. No.: **29/677,164**

(22) Filed: **Jan. 17, 2019**

(51) **LOC (12) Cl.** **29-02**

(52) **U.S. Cl.**
USPC **D29/110**

(58) **Field of Classification Search**
USPC D29/105–107, 110, 122;
D24/110.1–110.3
See application file for complete search history.

(56) **References Cited**

U.S. PATENT DOCUMENTS

D398,421 S * 9/1998 Crafoord D29/110
D674,150 S * 1/2013 Juhlin D29/122

D734,559 S * 7/2015 Noordzij D29/110
D749,796 S * 2/2016 Barmore D29/122
D789,614 S * 6/2017 Huh D29/110
D858,000 S * 8/2019 Zartler D29/110
2018/0110656 A1* 4/2018 Ambring A61F 9/06

* cited by examiner

Primary Examiner — Robert A Delehanty

(74) *Attorney, Agent, or Firm* — Adan Ayala

(57) **CLAIM**

The ornamental design for a welding mask, as shown and described.

DESCRIPTION

FIG. 1 is a front perspective view of a welding mask according to the invention.

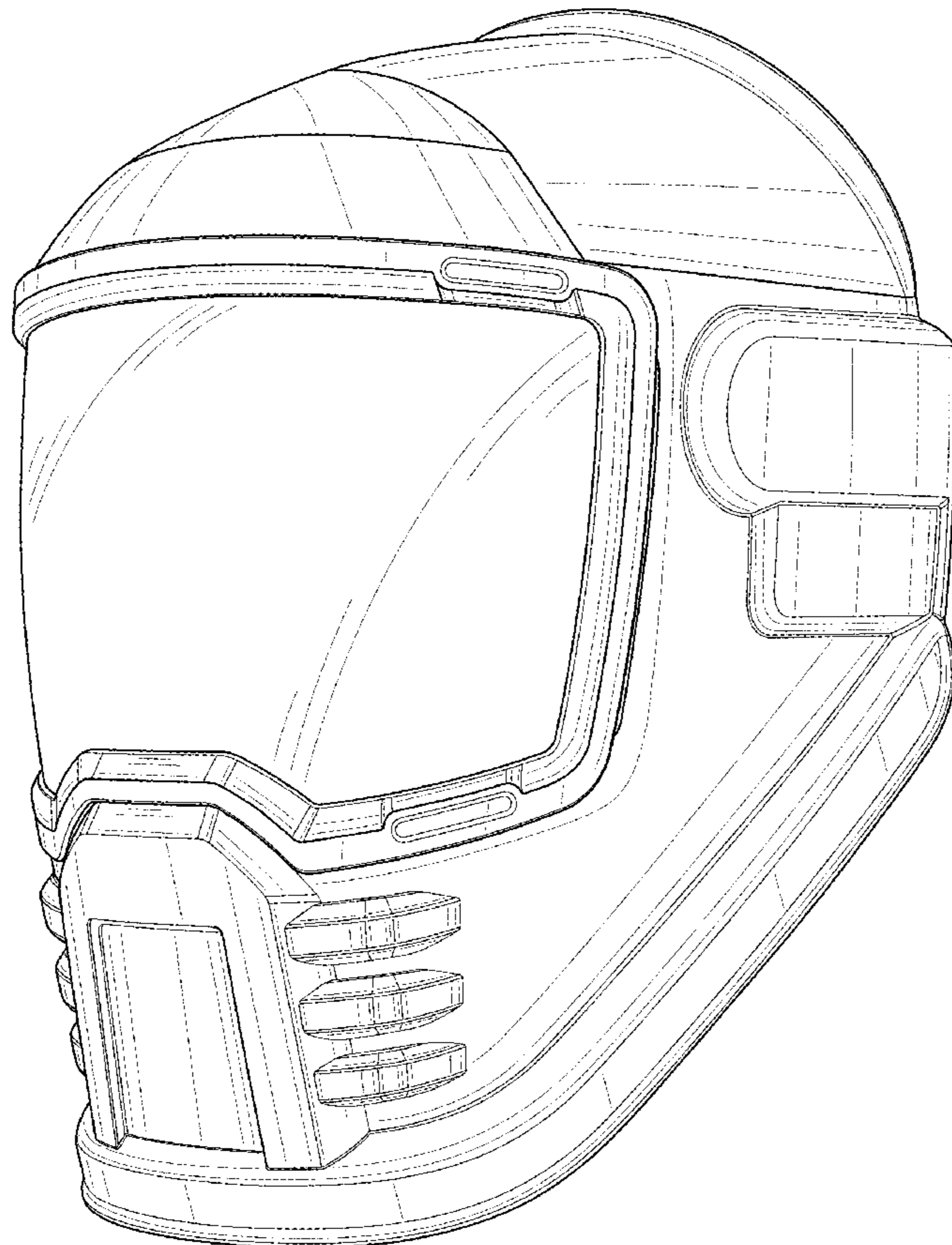
FIG. 2 is a front view of the welding mask of FIG. 1.

FIG. 3 is a right side view of the welding mask of FIG. 1.

FIG. 4 is a left side view of the welding mask of FIG. 1; and,

FIG. 5 is a top plan view of the welding mask of FIG. 1.

1 Claim, 5 Drawing Sheets



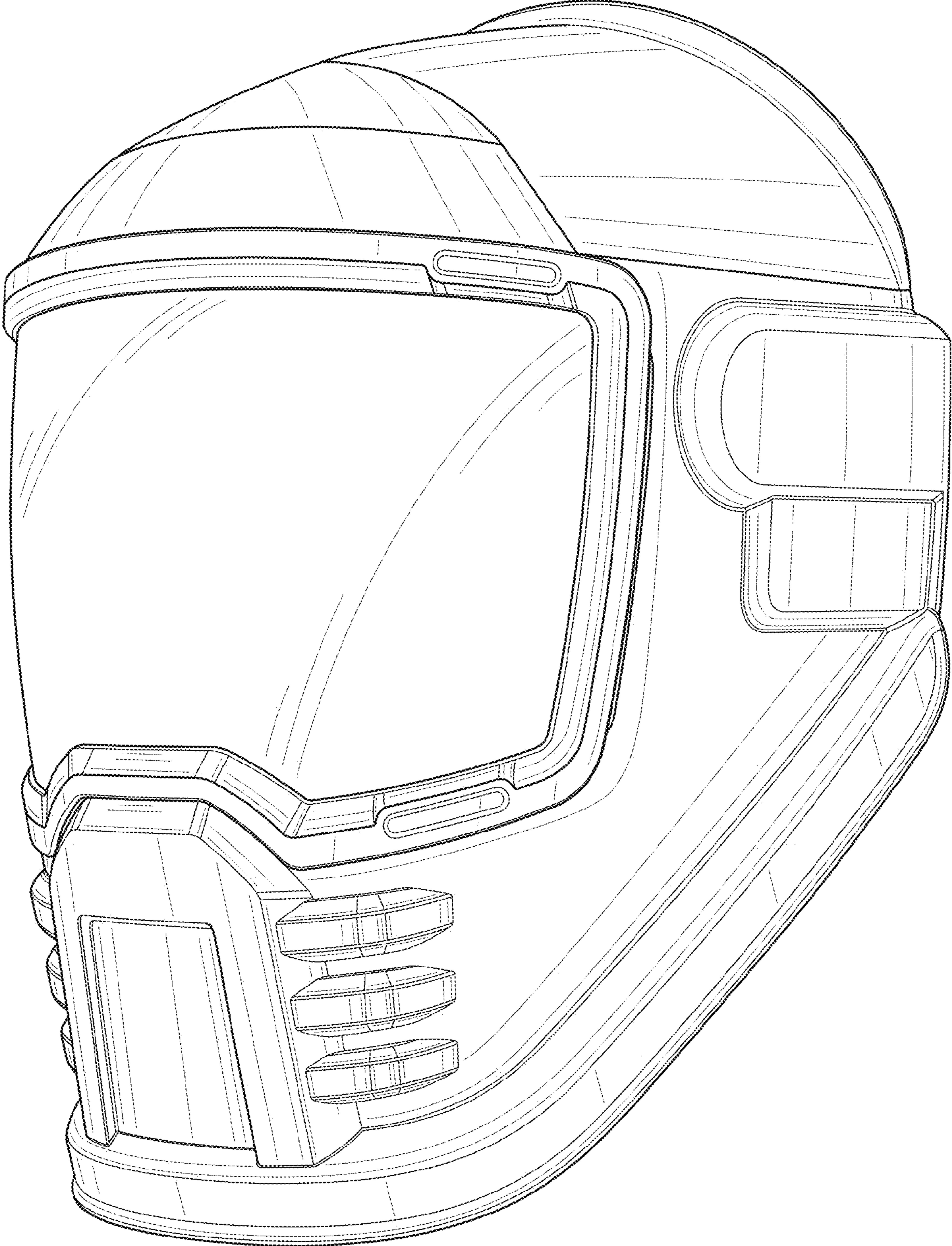


FIG. 1

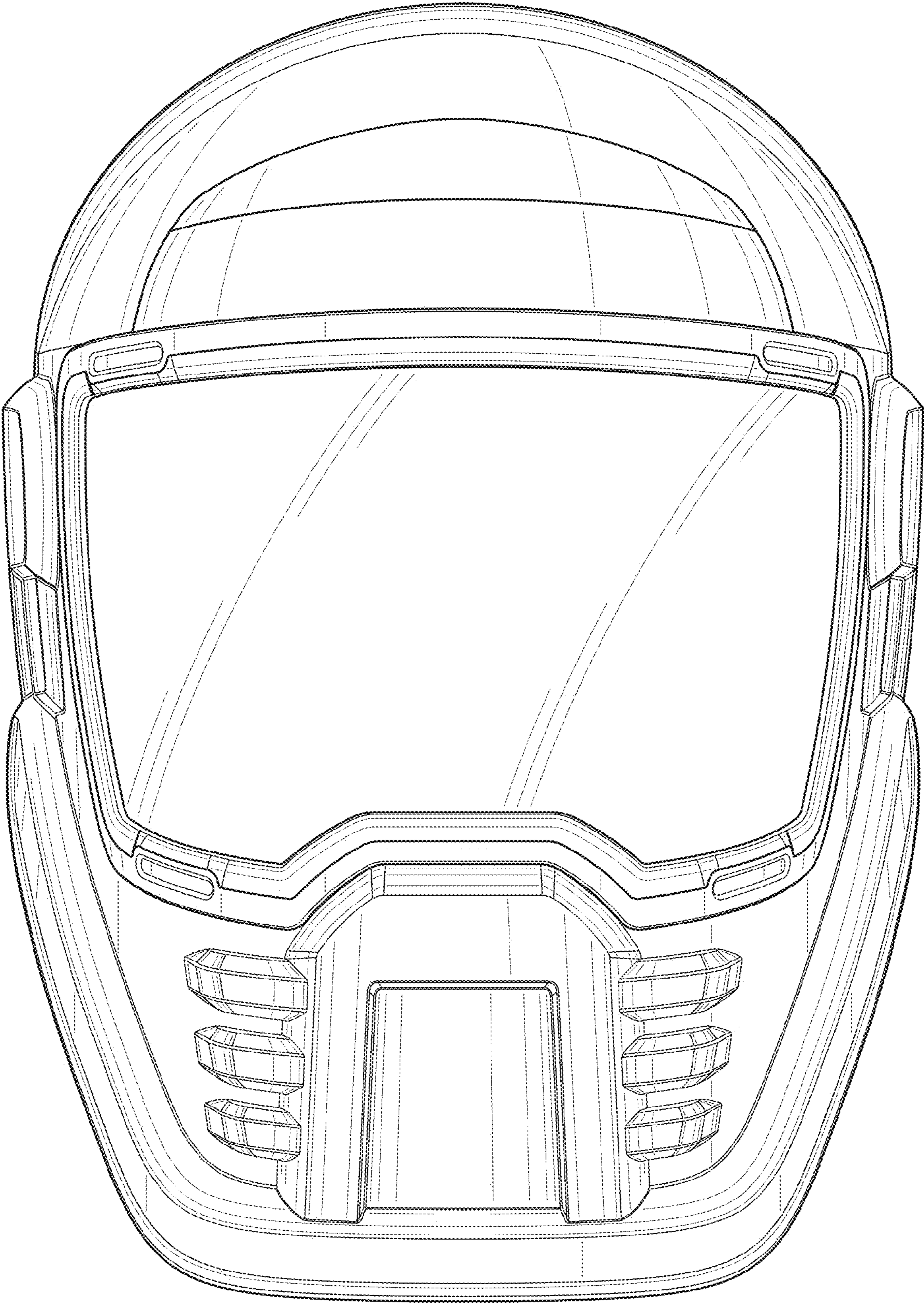


FIG. 2

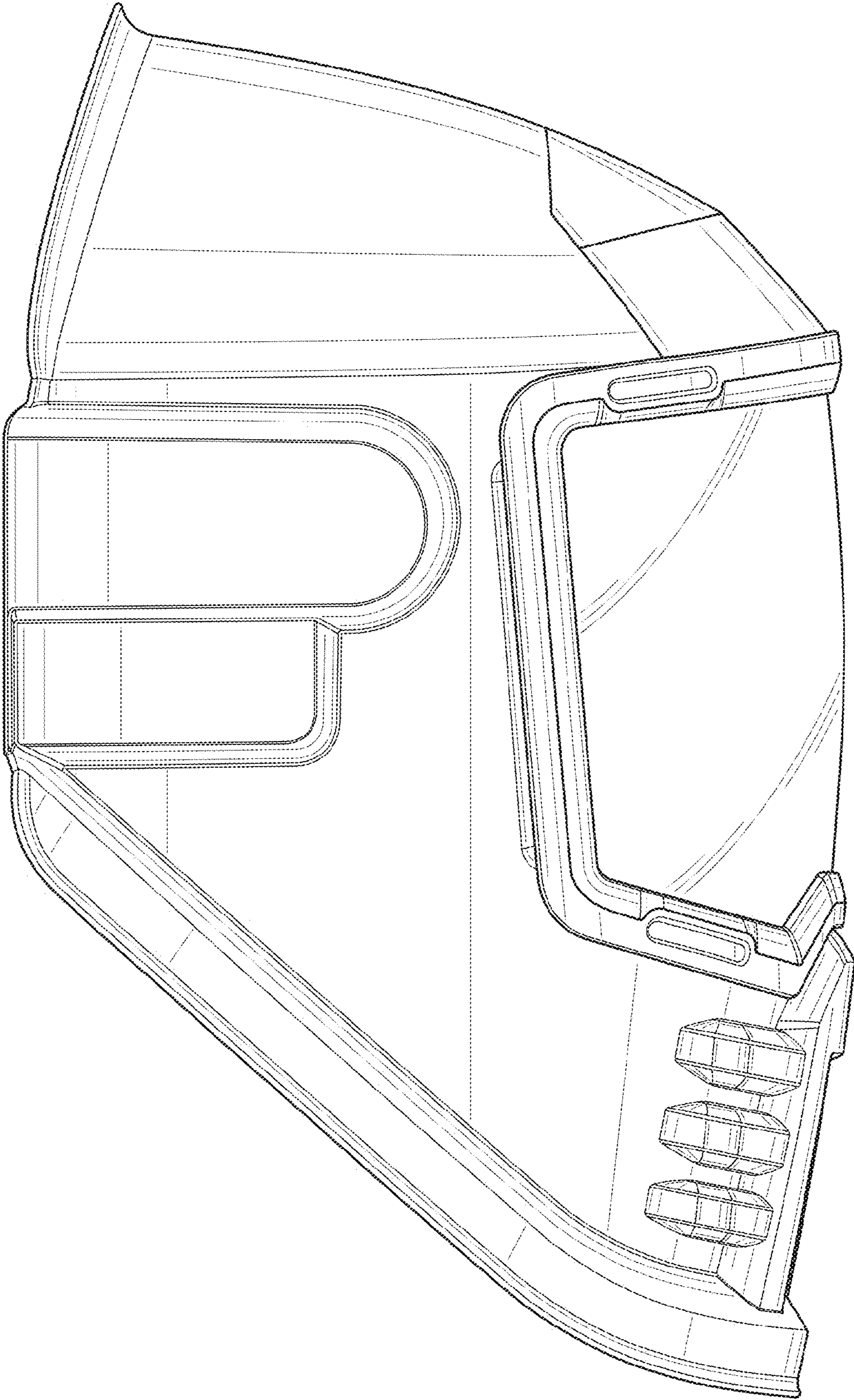


FIG. 3

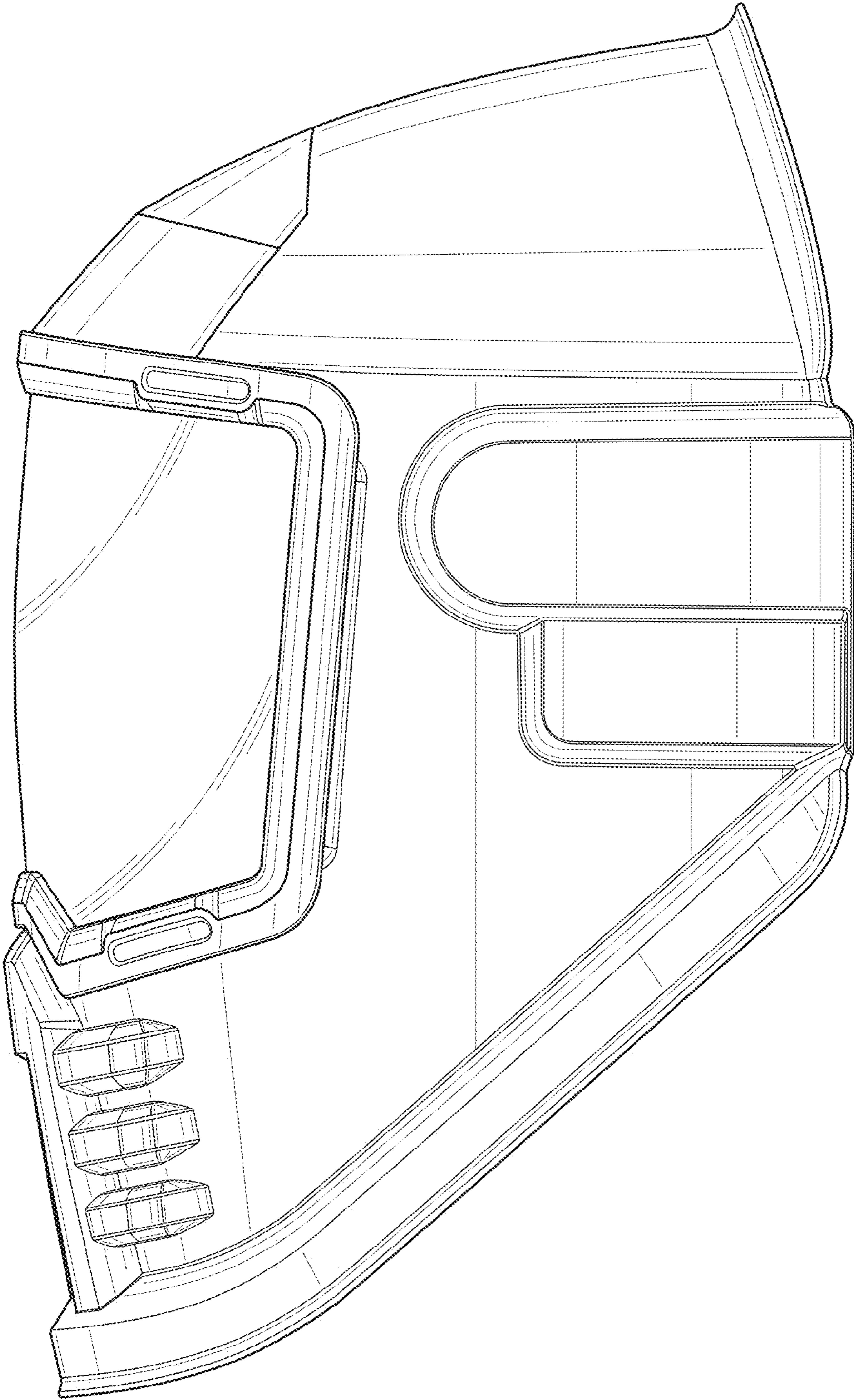


FIG. 4

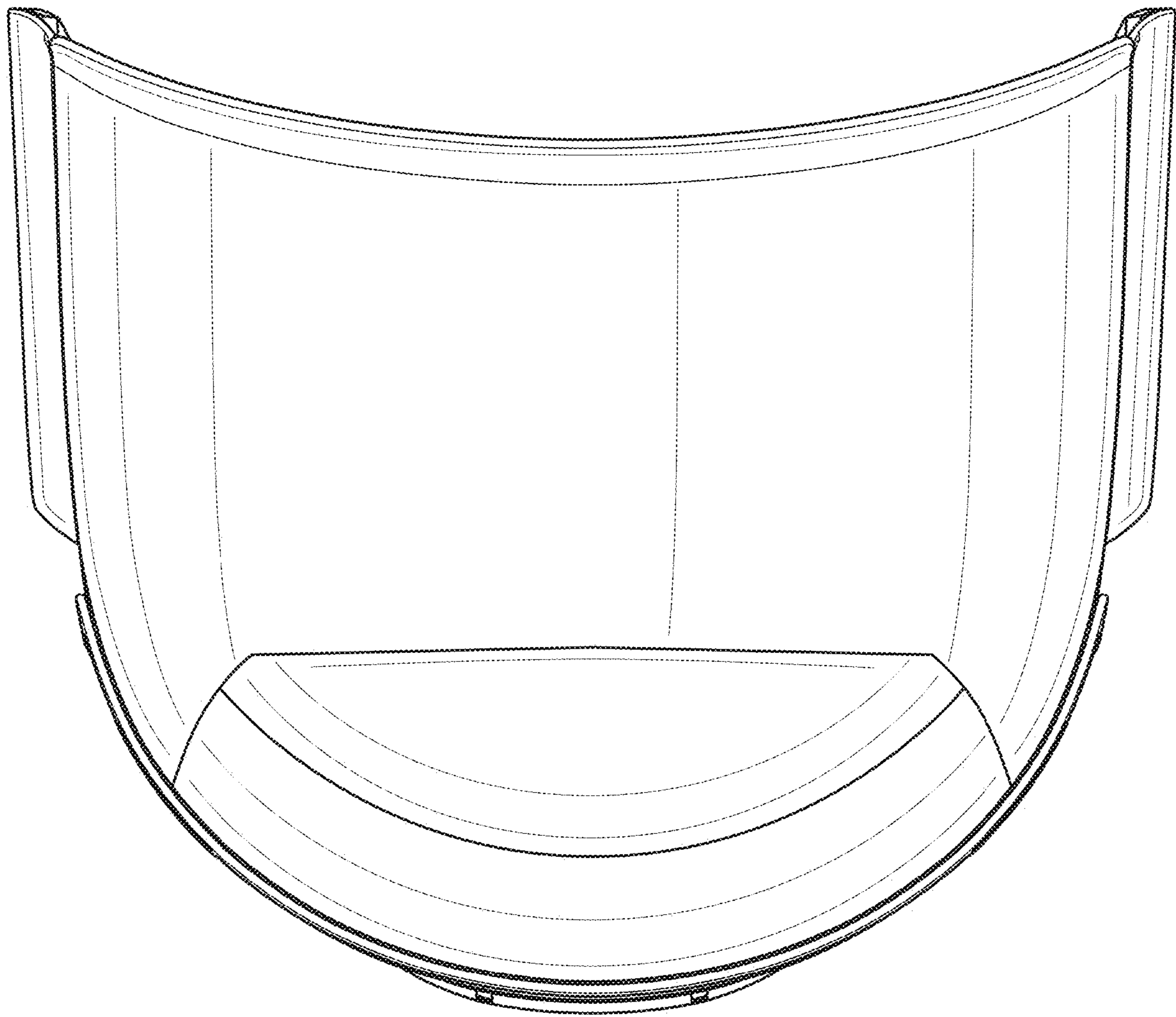


FIG. 5