



US00D877419S

(12) **United States Design Patent**  
**Shi**

(10) **Patent No.:** **US D877,419 S**  
(45) **Date of Patent:** **\*\* Mar. 3, 2020**

- (54) **REFLECTIVE SAFETY VEST**
- (71) Applicant: **Weiping Shi**, Hunan Province (CN)
- (72) Inventor: **Weiping Shi**, Hunan Province (CN)
- (\*\*) Term: **15 Years**
- (21) Appl. No.: **29/709,103**
- (22) Filed: **Oct. 11, 2019**
- (51) **LOC (12) Cl.** ..... **29-02**
- (52) **U.S. Cl.**  
USPC ..... **D29/101.4**
- (58) **Field of Classification Search**  
USPC ..... D29/100, 101, 101.2, 101.3, 101.4, 122,  
D29/124; D2/626, 829, 830, 860;  
362/108; D21/805; 441/88, 106, 108,  
441/111, 117; 182/3; 2/48, 51, 92, 102,  
2/103, 105, 913, 914, 915  
CPC ..... A41D 1/00; A45F 3/00  
See application file for complete search history.

D689,262 S \* 9/2013 Passman ..... D2/829  
D694,474 S 11/2013 Barker et al.  
D789,041 S \* 6/2017 Zhou ..... D2/829  
D792,027 S \* 7/2017 Gill ..... D29/101.4

\* cited by examiner

*Primary Examiner* — Randall H Gholson  
(74) *Attorney, Agent, or Firm* — ZANIP

(57) **CLAIM**

The ornamental design for a reflective safety vest, as shown and described.

**DESCRIPTION**

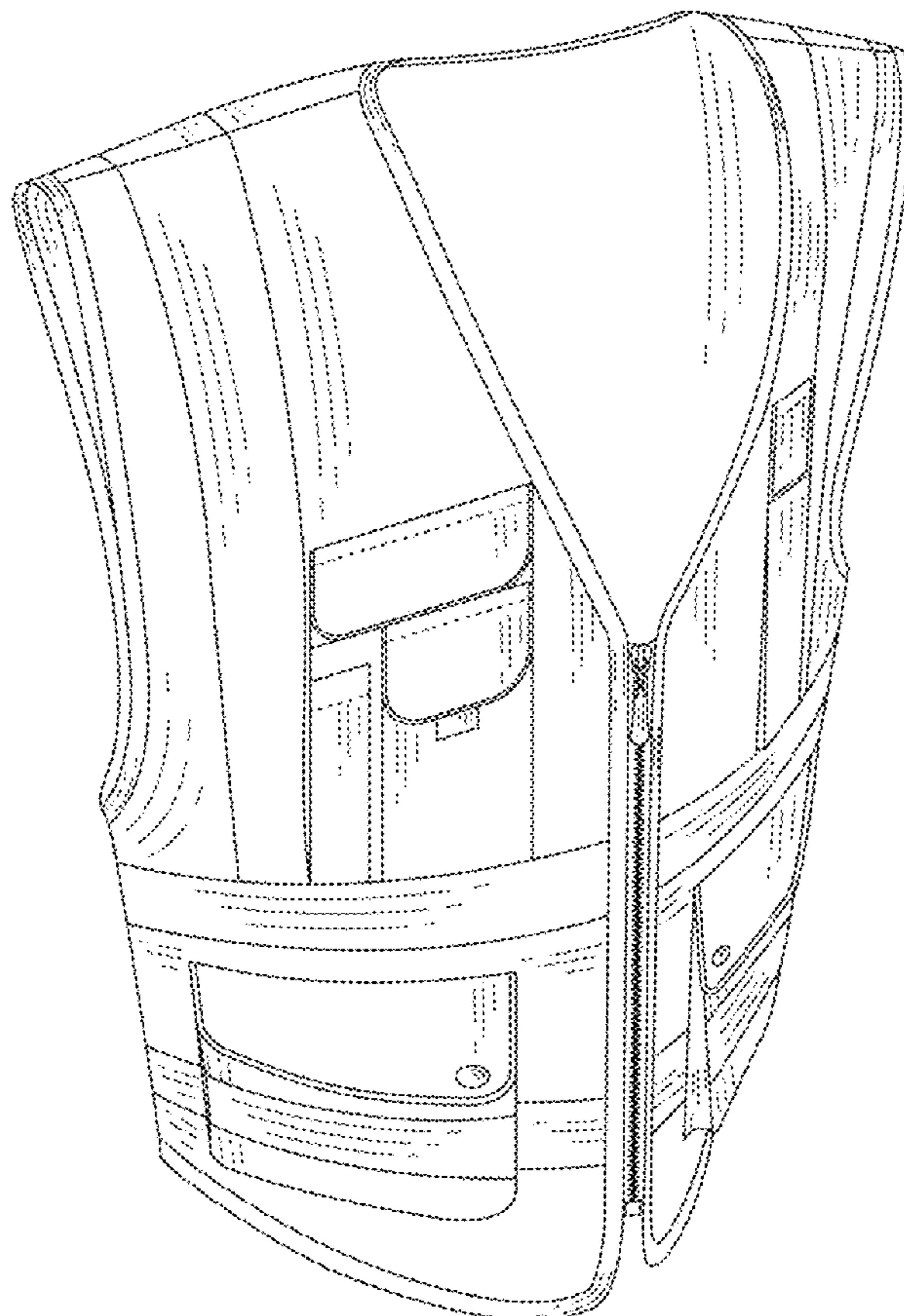
FIG. 1 is a front perspective view of a reflective safety vest, showing my new design;  
FIG. 2 is a front elevational view thereof;  
FIG. 3 is a rear elevational view thereof;  
FIG. 4 is a left side elevational view thereof;  
FIG. 5 is a right side elevational view thereof;  
FIG. 6 is a top plan view thereof; and,  
FIG. 7 is a bottom plan view thereof.  
The broken lines shown on the reflective safety vest represent stitching.

(56) **References Cited**

U.S. PATENT DOCUMENTS

- D475,814 S \* 6/2003 Lesley ..... A41D 13/01  
D29/101.4
- 7,735,152 B2 \* 6/2010 Golle ..... A41D 13/01  
2/102

**1 Claim, 7 Drawing Sheets**



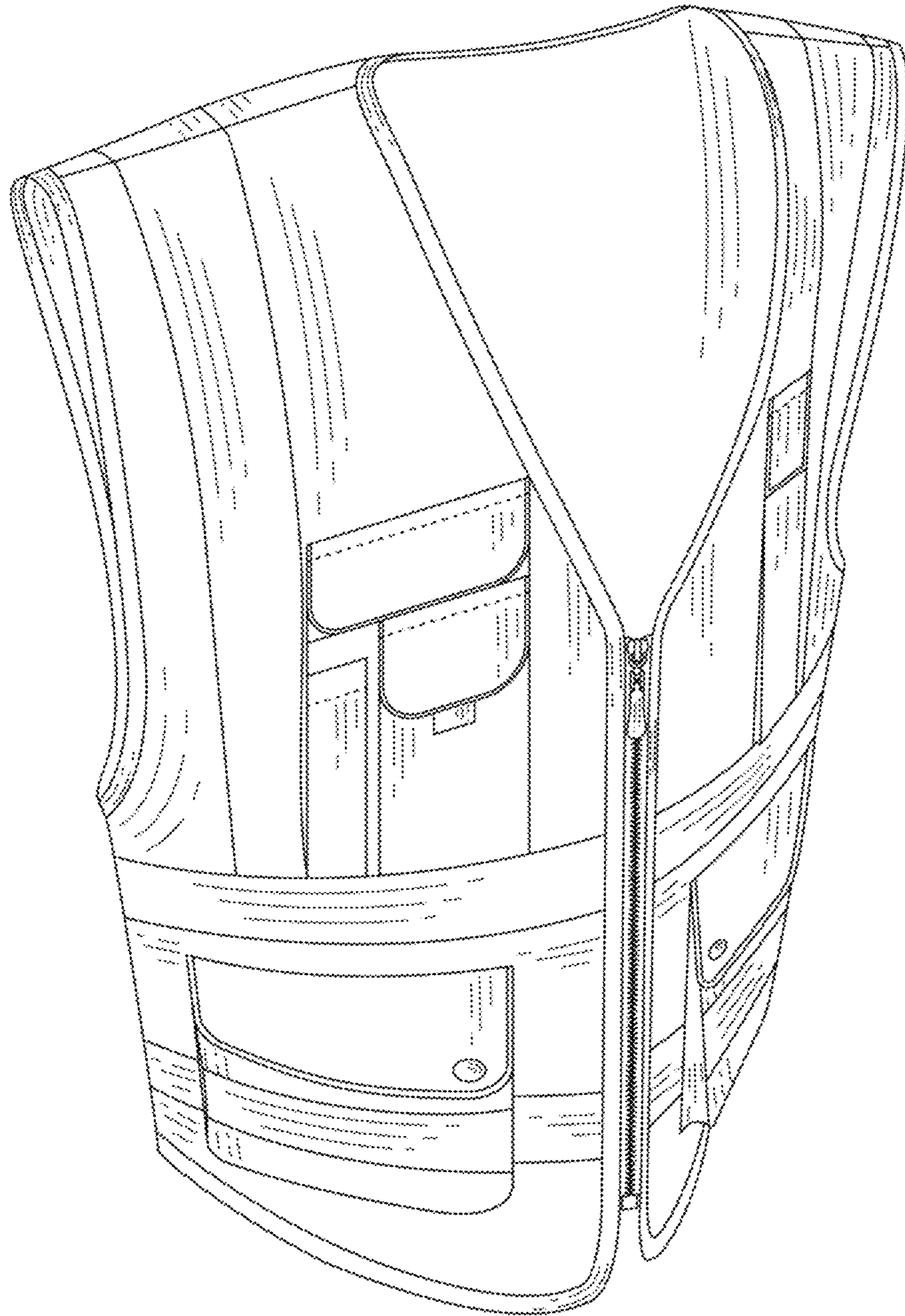


FIG. 1



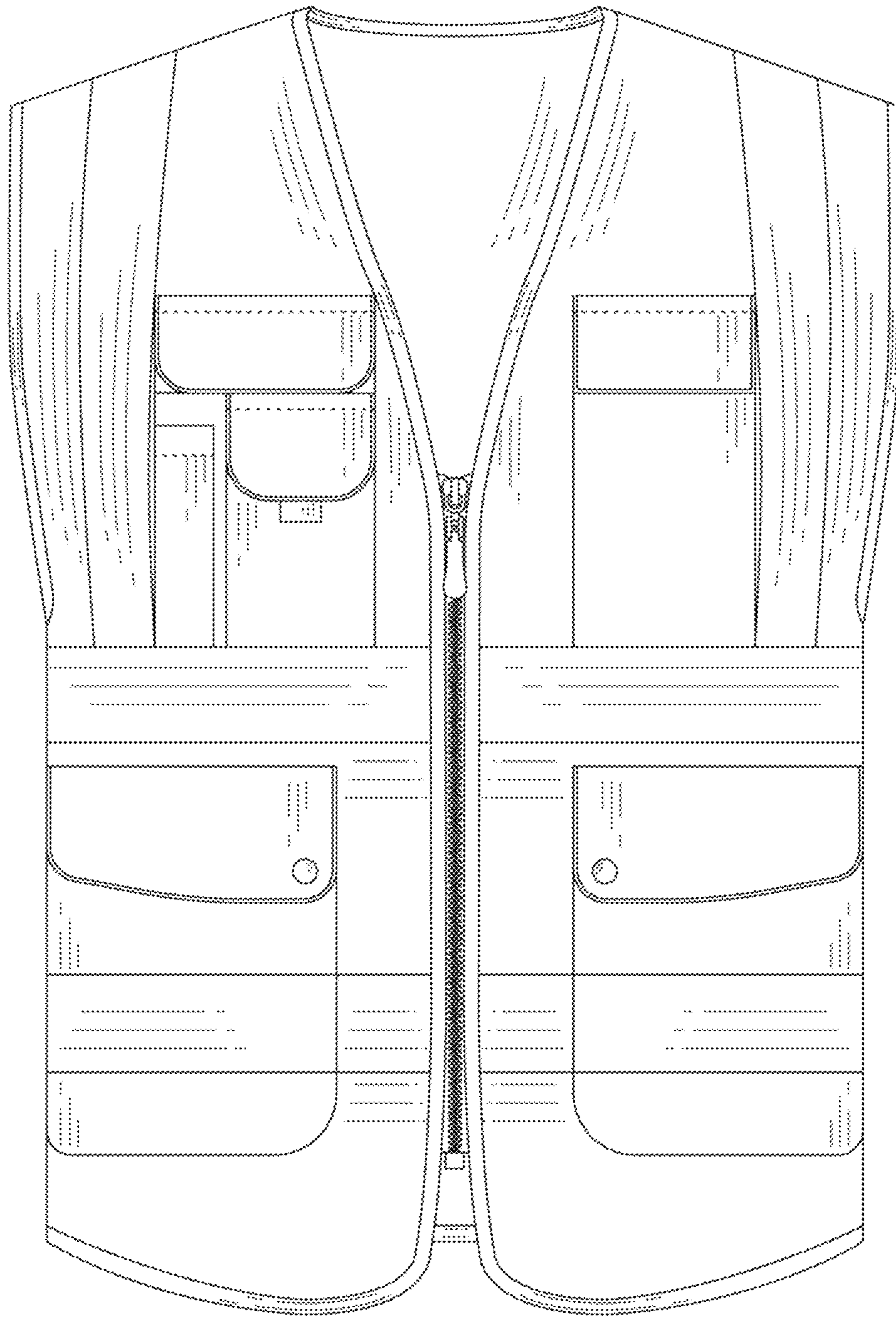


FIG. 2

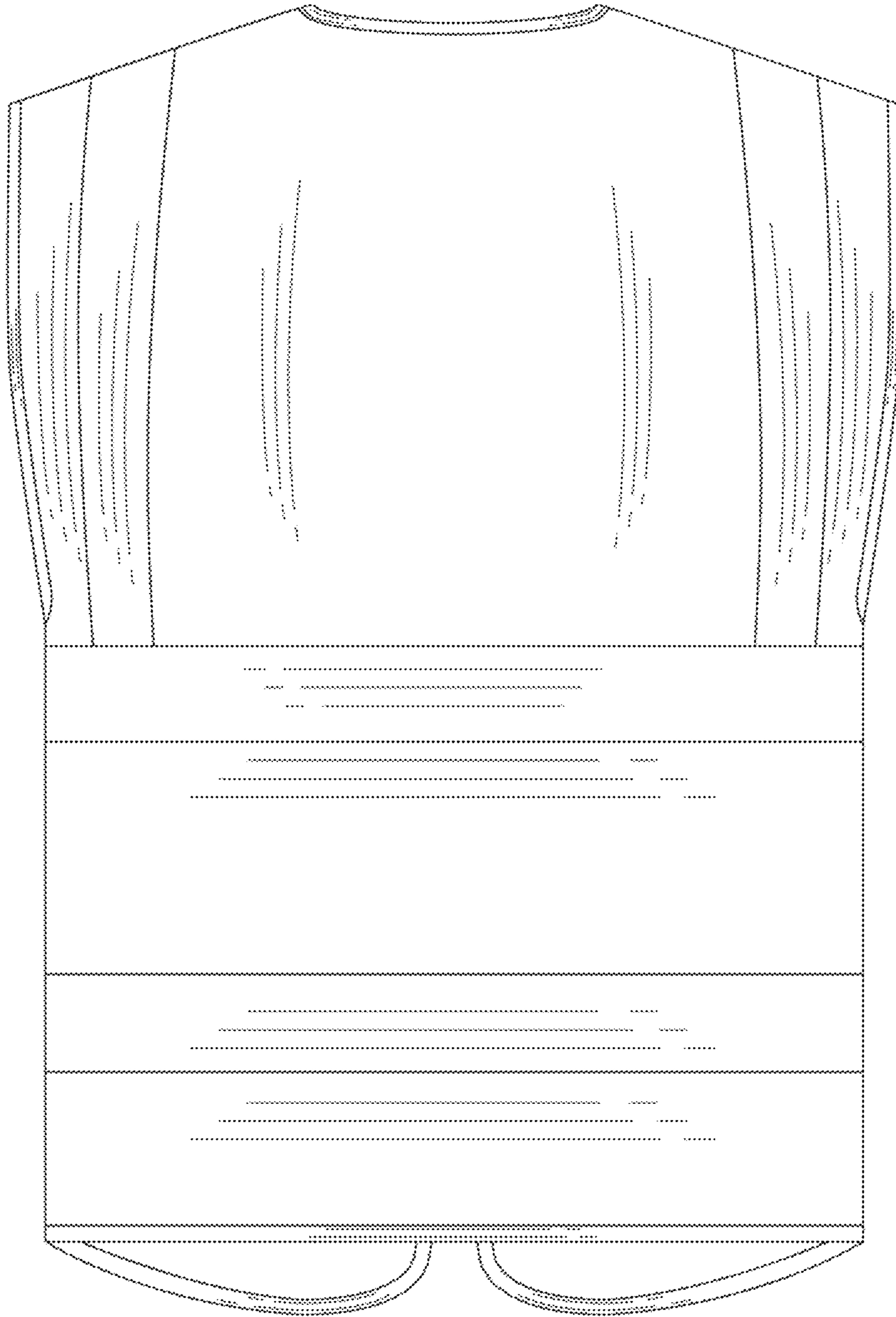


FIG. 3

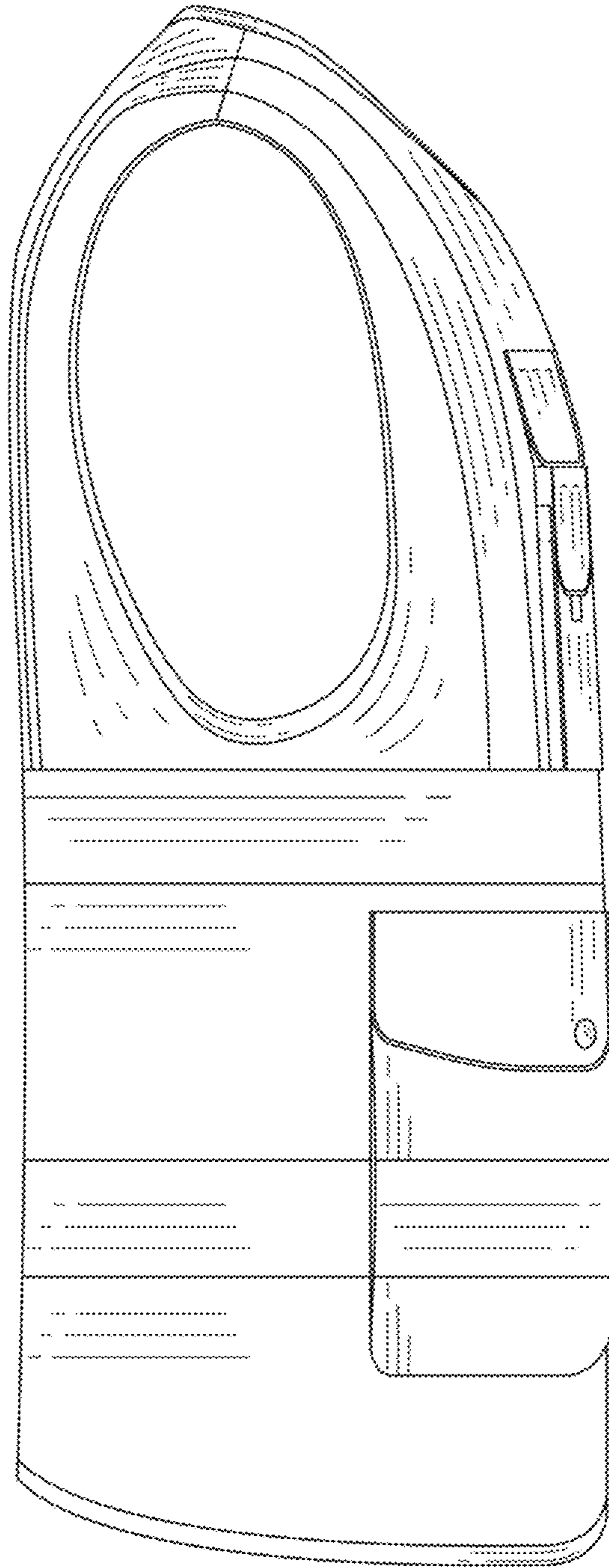


FIG. 4

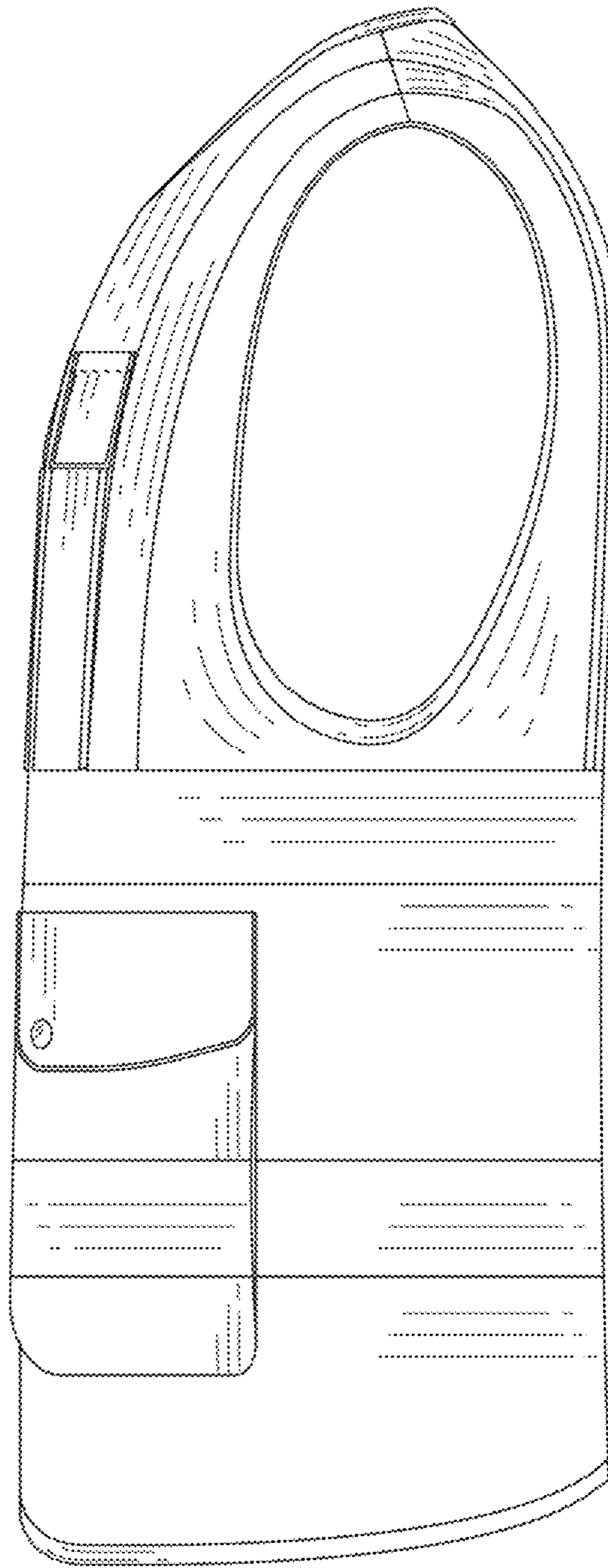


FIG. 5



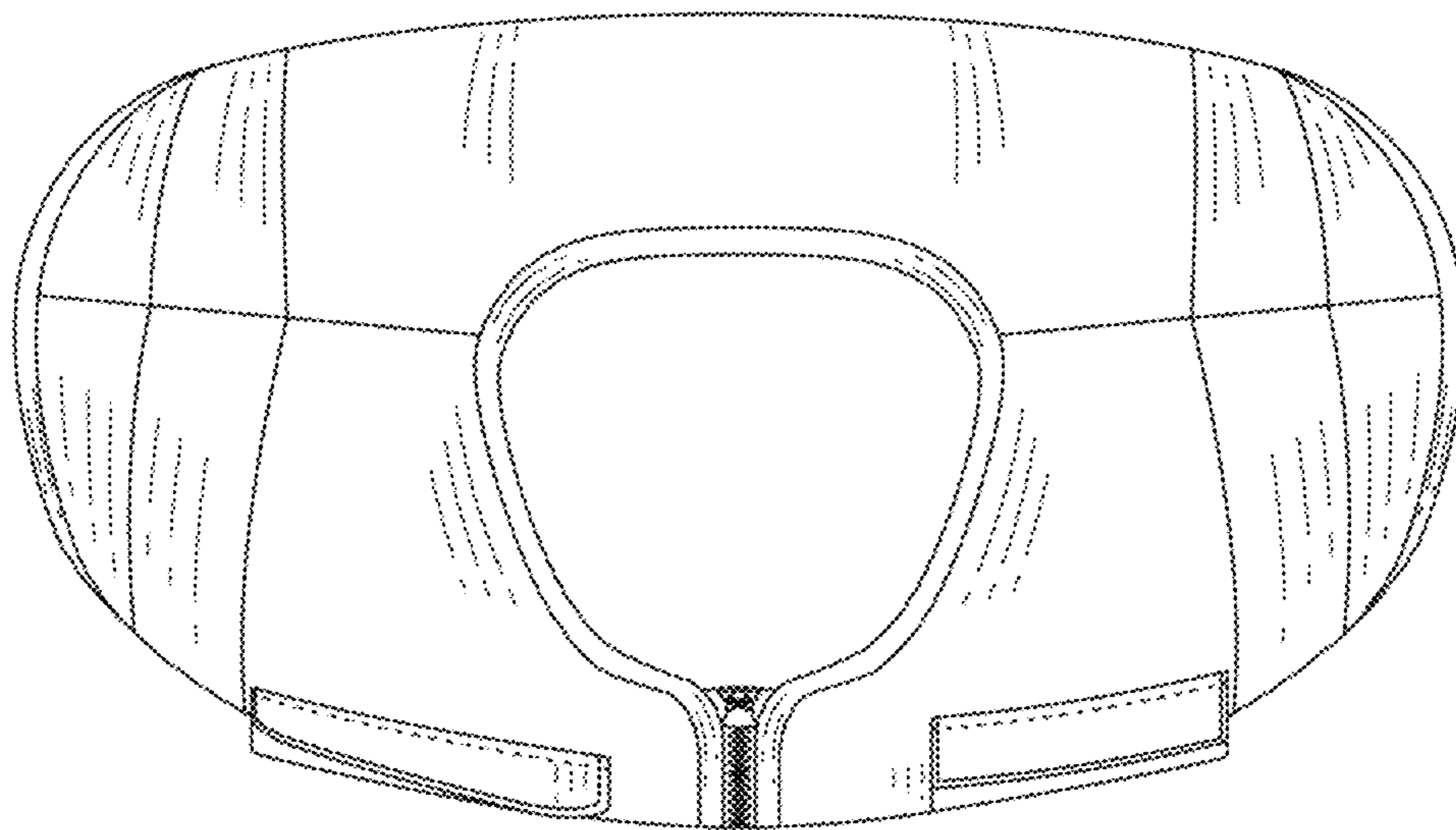


FIG. 6

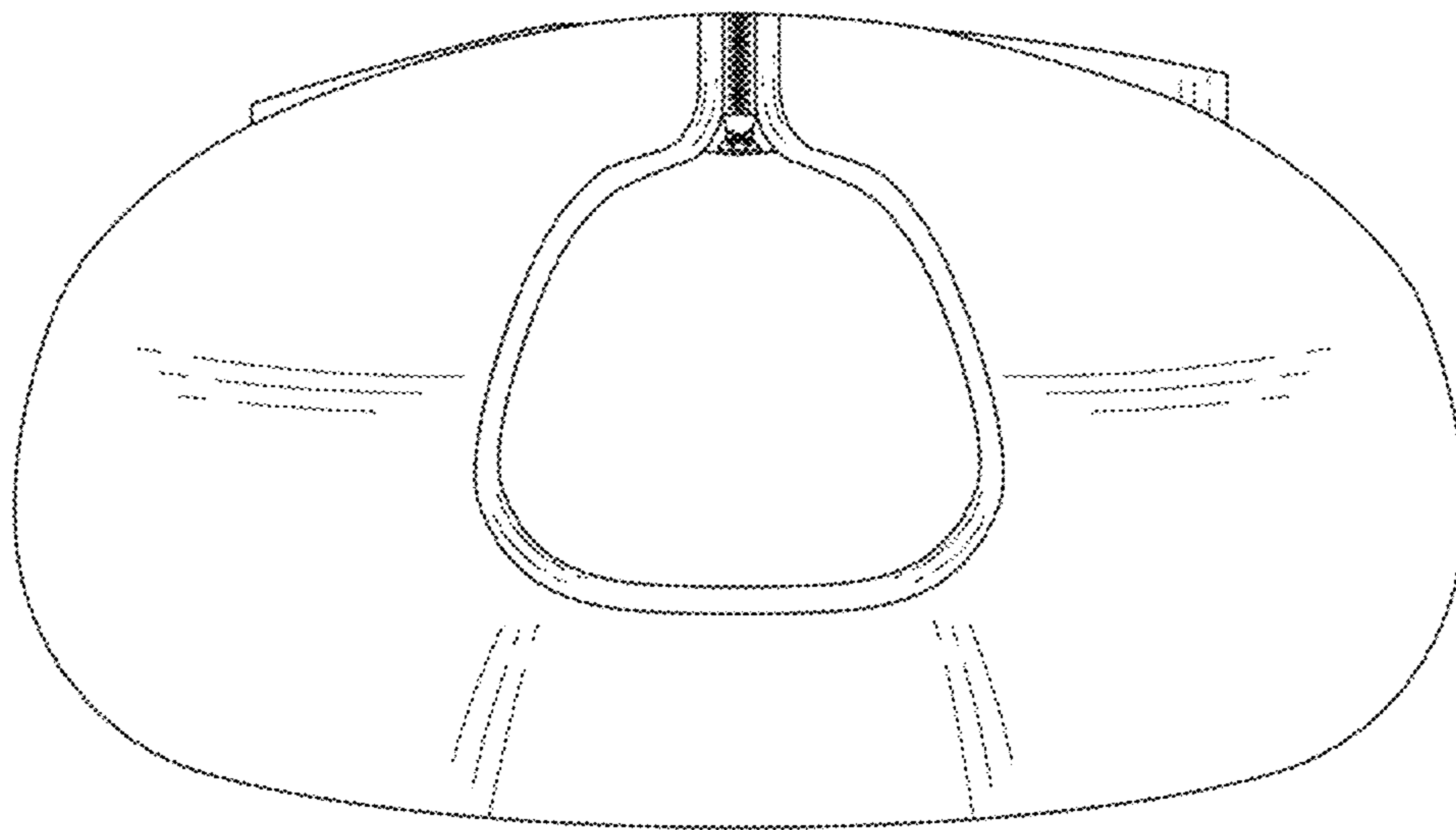


FIG. 7





US00D877419C1

(12) **EX PARTE REEXAMINATION CERTIFICATE** (12163rd)  
**United States Patent**  
**Shi**

(10) **Number:** **US D877,419 C1**  
(45) **Certificate Issued:** **Oct. 28, 2022**

(54) **REFLECTIVE SAFETY VEST**

(71) Applicant: **Weiping Shi**, Hunan Province (CN)

(72) Inventor: **Weiping Shi**, Hunan Province (CN)

**Reexamination Request:**

No. 90/014,872, Sep. 30, 2021

**Reexamination Certificate for:**

Patent No.: **Des. 877,419**

Issued: **Mar. 3, 2020**

Appl. No.: **29/709,103**

Filed: **Oct. 11, 2019**

(51) **LOC (13) Cl.** ..... **29-02**

(52) **U.S. Cl.**

USPC ..... **D29/101.4**

(58) **Field of Classification Search**

USPC ..... D29/101.4

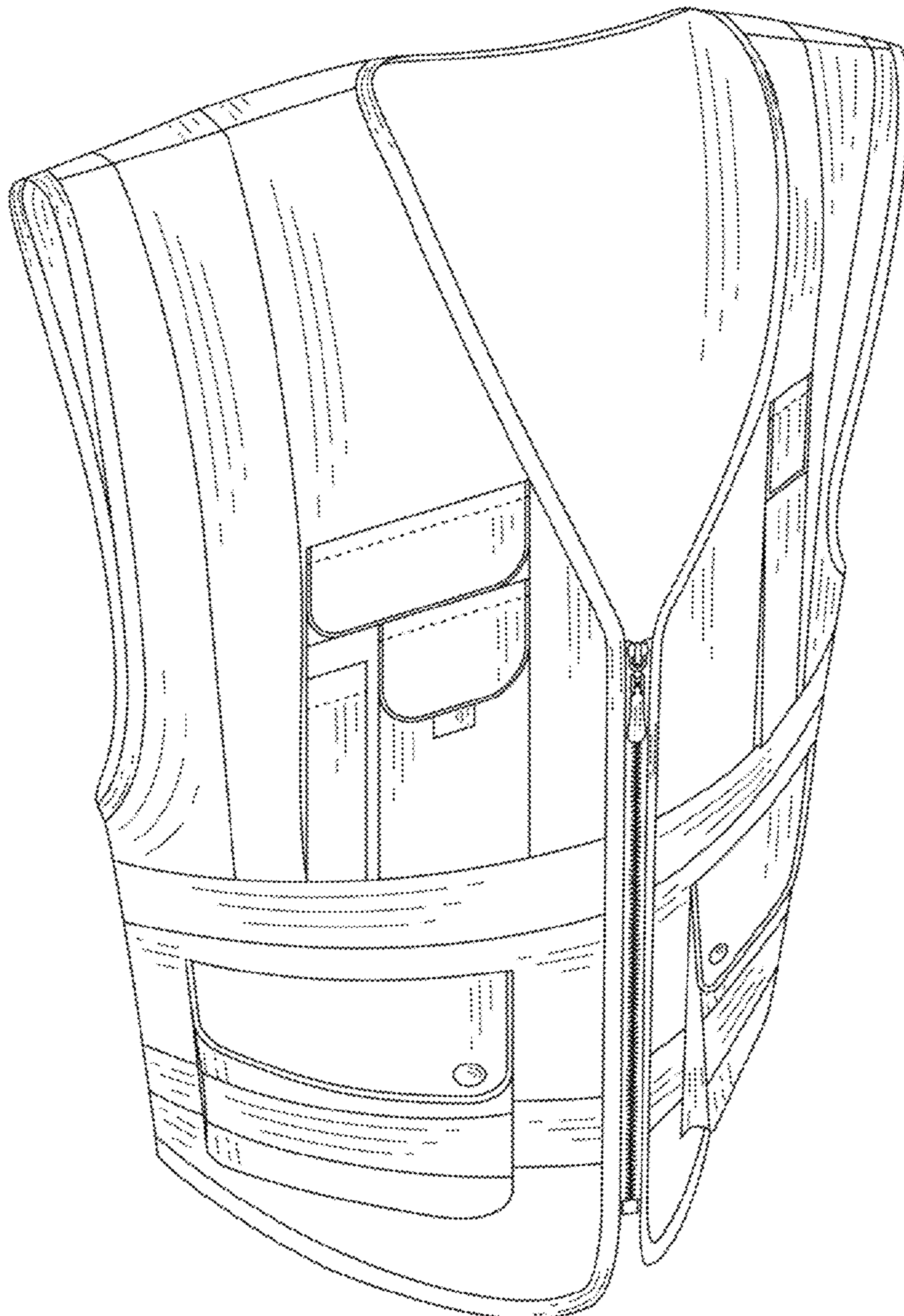
CPC ..... A41D 13/01

See application file for complete search history.

(56) **References Cited**

To view the complete listing of prior art documents cited during the proceeding for Reexamination Control Number 90/014,872, please refer to the USPTO's Patent Electronic System.

*Primary Examiner* — Kevin K Rudzinski



**1**  
**EX PARTE**  
**REEXAMINATION CERTIFICATE**

THE PATENT IS HEREBY AMENDED AS 5  
INDICATED BELOW.

AS A RESULT OF REEXAMINATION, IT HAS BEEN  
DETERMINED THAT:

The claim 1 is cancelled. 10

\* \* \* \* \*