



US00D877416S

(12) **United States Design Patent**  
**Lotti**

(10) **Patent No.:** **US D877,416 S**  
(45) **Date of Patent:** **\*\* Mar. 3, 2020**

(54) **STORAGE CARTRIDGE FOR ARTIFICIAL EYELASH EXTENSIONS**

D240,769 S \* 7/1976 Bowman ..... D28/9  
4,203,518 A 5/1980 Current  
4,697,856 A 10/1987 Abraham  
5,033,626 A 7/1991 Platti  
D328,246 S 7/1992 Nottingham et al.  
(Continued)

(71) Applicant: **Lashify, Inc.**, Los Angeles, CA (US)

(72) Inventor: **Sahara Lotti**, Los Angeles, CA (US)

(73) Assignee: **Lashify, Inc.**, Los Angeles, CA (US)

(\*\*) Term: **15 Years**

**FOREIGN PATENT DOCUMENTS**

CN 302315323 \* 2/2013  
CN 303086463 \* 1/2015  
(Continued)

(21) Appl. No.: **29/667,365**

(22) Filed: **Oct. 19, 2018**

**OTHER PUBLICATIONS**

Oval Office Puzzle Box, Puzzle Master Inc., youtube.com, published by PuzzleOZ on Jun. 4, 2017 © not listed, online, site visited May 17, 2019. Available from Internet, URL: <https://www.youtube.com/watch?v=wzZCm9sUU7E> (Year: 2017).\*  
(Continued)

**Related U.S. Application Data**

(63) Continuation-in-part of application No. 15/968,453, filed on May 1, 2018, which is a continuation of application No. PCT/US2017/067513, filed on Dec. 20, 2017, and a continuation-in-part of application No. 29/586,561, filed on Dec. 5, 2016.

*Primary Examiner* — Marissa J Cash  
*Assistant Examiner* — Altaira J Swangin  
(74) *Attorney, Agent, or Firm* — Dentons US LLP

(51) **LOC (12) Cl.** ..... **28-03**

(52) **U.S. Cl.**  
USPC ..... **D28/73**

(58) **Field of Classification Search**  
USPC ..... D28/73, 91; D32/40, 43; D9/418, 430,  
D9/435-436, 724-725, 741, 747, 756;  
206/769-770, 776-778, 781;  
D3/203.2-203.4  
CPC ..... A47G 29/08; A45D 44/00; A45D 33/26;  
A45D 33/28  
See application file for complete search history.

(57) **CLAIM**

The ornamental design for a storage cartridge for artificial eyelash extensions, as shown and described.

**DESCRIPTION**

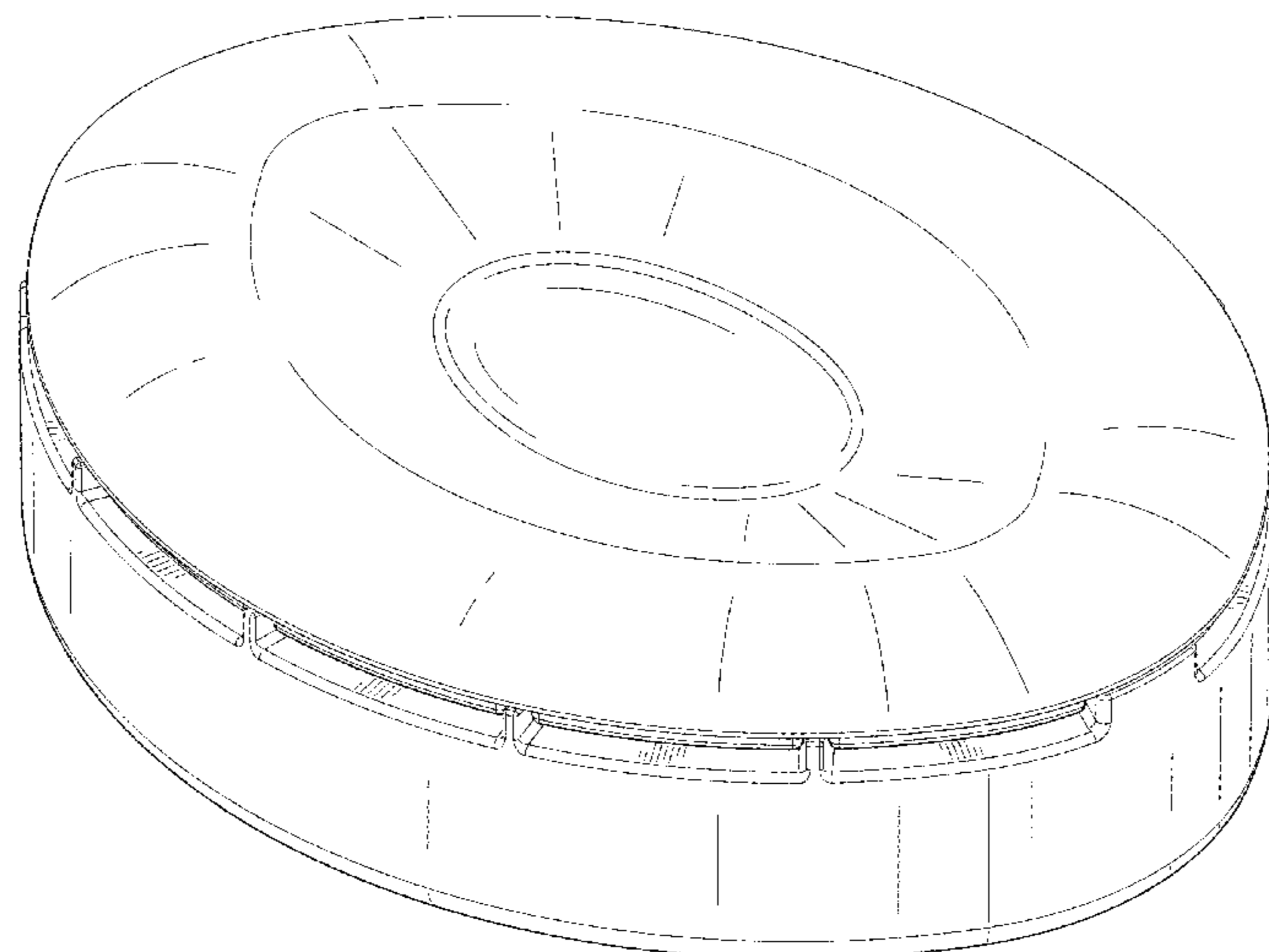
FIG. 1 is a top, front perspective view of a storage cartridge for artificial eyelash extensions;  
FIG. 2 is a front elevation view thereof;  
FIG. 3 is a rear elevation view thereof;  
FIG. 4 is a right-side elevation view thereof;  
FIG. 5 is a left-side elevation view thereof;  
FIG. 6 is a top view thereof;  
FIG. 7 is a bottom view thereof; and,  
FIG. 8 is a bottom perspective view thereof.

(56) **References Cited**

**U.S. PATENT DOCUMENTS**

D155,559 S \* 10/1949 Tillmann ..... D3/203.2  
2,618,279 A 11/1952 Reiffert  
3,557,653 A 1/1971 Kim  
3,561,454 A 2/1971 O'Connell  
3,625,229 A 12/1971 Silson  
3,670,742 A 6/1972 Weaner

**1 Claim, 6 Drawing Sheets**



(56)

References Cited

U.S. PATENT DOCUMENTS

D342,671 S \* 12/1993 Elliott ..... D3/203.4  
 5,322,166 A 6/1994 Crowther  
 5,571,543 A \* 11/1996 Song ..... A23G 4/00  
 426/5  
 D379,923 S 6/1997 De Baschmakoff  
 D382,198 S \* 8/1997 Mulhauser ..... D3/203.4  
 D403,922 S 1/1999 Terraccino  
 D404,531 S 1/1999 Bakic et al.  
 5,896,996 A 4/1999 Chuang  
 D418,253 S 12/1999 Bakic  
 D443,471 S \* 6/2001 Lillelund ..... D7/398  
 6,174,321 B1 6/2001 Webb  
 6,265,010 B1 7/2001 Franco  
 D448,927 S 10/2001 Vazquez  
 D452,151 S \* 12/2001 Scott ..... D3/203.4  
 D458,413 S \* 6/2002 Boilen ..... D28/73  
 6,439,406 B1 \* 8/2002 Duhon ..... A47B 49/00  
 211/131.1  
 D463,280 S 9/2002 Brozell  
 D463,744 S \* 10/2002 Brozell ..... D9/449  
 D472,810 S 4/2003 Gelardi  
 D473,106 S 4/2003 Scherer  
 D475,616 S 6/2003 Lambrecht  
 D481,946 S 11/2003 Nicholson  
 D481,952 S 11/2003 Orsomando  
 D482,928 S \* 12/2003 Liu ..... D7/392.1  
 D483,232 S \* 12/2003 Liu ..... D7/614  
 D512,913 S 12/2005 Gauthier  
 6,981,814 B2 1/2006 Geardino et al.  
 D522,376 S \* 6/2006 Hales ..... D7/613  
 D532,891 S \* 11/2006 Buthier ..... D23/366  
 D533,650 S \* 12/2006 Ohta ..... D23/360  
 D534,426 S \* 1/2007 Bakic ..... D9/435  
 D540,112 S \* 4/2007 Nichols ..... D7/354  
 D543,850 S \* 6/2007 Legros ..... D9/444  
 D544,202 S \* 6/2007 Markfelder ..... D3/203.3  
 D545,396 S \* 6/2007 Casey ..... D23/209  
 7,228,863 B2 6/2007 Dumler  
 D547,940 S \* 8/2007 Sandy ..... D3/203.2  
 D561,045 S 2/2008 Lee  
 D591,599 S 5/2009 Okin et al.  
 D595,054 S 6/2009 Whitaker  
 D602,354 S \* 10/2009 Dibnah ..... D9/435  
 D605,514 S \* 12/2009 Weber ..... D9/449  
 D607,332 S 1/2010 Huntington et al.  
 D638,733 S 5/2011 Sullivan  
 D639,196 S 6/2011 Sullivan  
 D647,799 S 11/2011 Dunwoody  
 D650,669 S 12/2011 Dunwoody  
 D650,670 S 12/2011 Dunwoody  
 D651,082 S 12/2011 Dunwoody  
 D657,696 S 4/2012 Floyd et al.  
 D661,599 S 6/2012 Floyd et al.  
 D669,223 S 10/2012 Lee  
 D673,325 S 12/2012 Martines  
 8,596,284 B2 12/2013 Byrne  
 D698,078 S 1/2014 Purizhansky et al.  
 D700,799 S 3/2014 Ludeman et al.  
 D707,556 S 6/2014 Kawamura  
 D713,217 S \* 9/2014 Micara-Sartori ..... D7/675  
 9,004,299 B2 4/2015 Hardin  
 9,215,901 B1 12/2015 Schroeder  
 D751,904 S \* 3/2016 Landrum ..... D9/449  
 9,314,085 B2 4/2016 Hatch  
 D755,577 S \* 5/2016 Segal ..... D7/629  
 D757,274 S \* 5/2016 Gelb ..... D24/176  
 D764,688 S \* 8/2016 Robinson ..... D26/9  
 D783,899 S 4/2017 Roh  
 D796,582 S \* 9/2017 Beard ..... D21/386  
 D800,966 S 10/2017 Silva  
 D805,135 S \* 12/2017 Beard ..... D21/386  
 D811,872 S \* 3/2018 Wu ..... D9/428  
 9,993,373 B2 \* 6/2018 Nassif ..... B65F 1/00  
 D823,683 S \* 7/2018 Caldwell ..... D9/435  
 D825,333 S \* 8/2018 Ozamiz ..... D9/449

D828,013 S \* 9/2018 Van Wijngaarden ..... D3/203.3  
 D828,014 S \* 9/2018 Van Wijngaarden ..... D3/203.3  
 D829,381 S 9/2018 Kim  
 D830,170 S \* 10/2018 Holmes ..... D9/443  
 D832,701 S 11/2018 Oates  
 D832,702 S \* 11/2018 Oates ..... D9/447  
 D835,465 S \* 12/2018 Son ..... D7/545  
 D836,432 S 12/2018 Riedel et al.  
 D836,943 S \* 1/2019 Klieman ..... D6/536  
 10,264,837 B2 \* 4/2019 Park ..... A41G 5/02  
 D867,668 S \* 11/2019 Lotti ..... D28/73  
 2003/0111467 A1 6/2003 Norman  
 2005/0166939 A1 8/2005 Stroud  
 2006/0124658 A1 \* 6/2006 Coe ..... A61J 7/04  
 221/121  
 2007/0050207 A1 3/2007 Merszei  
 2007/0227550 A1 10/2007 Merszei  
 2009/0028625 A1 \* 1/2009 Bonneyrat ..... A45D 40/02  
 401/55  
 2009/0217939 A1 9/2009 Rabe et al.  
 2009/0223534 A1 9/2009 Green  
 2009/0266376 A1 10/2009 Beschta  
 2010/0170526 A1 7/2010 Nguyen  
 2011/0290271 A1 12/2011 Rabe  
 2013/0110032 A1 5/2013 Luzon  
 2015/0136162 A1 5/2015 Brouillet et al.  
 2015/0173442 A1 6/2015 Raouf  
 2015/0216246 A1 8/2015 Ahn et al.  
 2016/0016702 A1 \* 1/2016 Siskindovich ..... B65D 43/0208  
 220/315  
 2017/0112264 A1 4/2017 Park  
 2017/0358245 A1 12/2017 Dana  
 2018/0065779 A1 3/2018 Chiba  
 2018/0160755 A1 6/2018 Hansen et al.  
 2018/0242715 A1 8/2018 Lotti  
 2018/0352886 A1 \* 12/2018 Schroeder ..... A45D 42/04  
 2019/0133227 A1 5/2019 Le

FOREIGN PATENT DOCUMENTS

CN 201430347836.X 1/2015  
 CN 304452297 \* 1/2018  
 KR 20090010717 U 10/2009  
 WO 2018002914 A1 1/2018  
 WO WO2018/022914 1/2018

OTHER PUBLICATIONS

“EMS High Precisions and Ultra Fine Tweezers,” Electron Microscopy Sciences, Dec. 10, 2015, p. 4. [web.archive.org/web/20151210205103/https://www.emsdiasum.com/microscopy/products/tweezers/ultra\\_fine.aspx](http://web.archive.org/web/20151210205103/https://www.emsdiasum.com/microscopy/products/tweezers/ultra_fine.aspx).  
 Cruiser Portable Speaker, NYNE, published at [thegamerwithkids.com](http://thegamerwithkids.com), posted by Sam Versionone on Apr. 6, 2015 (c) not listed, online, cite visited Jun. 20, 2018. Available from Internet. URL:<https://thegamerwithkids.com/2015/04/06/nyne-cruiser-review-a-wireless-speaker-for-your-bycicle/> (Year: 2015).  
 Dream Lashes. “Dream Lashes Curved Volume Tweezer—e Minute Test.” YouTube, YouTube, Sep. 30, 2016. 1:15-1:30, 3:02. [www.youtube.com/watch?v=vwqYeE0SD7s](http://www.youtube.com/watch?v=vwqYeE0SD7s).  
 Gossamer Lash Cartridge, Lashify, published at [lashify.com](http://lashify.com), date and author not listed (c) 2018 Lashify, online, site visited Jun. 15, 2018. Available from Internet, URL:<https://lashify.com/collections/shop-1/products/gossamer-eye-lozenge-c-style?variant=783670738950> (Year: 2018).  
 International Search Report corresponding to PCT/2017/067513, Mar. 12, 2018, 3 pages.  
 False Eyelashes Thick Natural Simulation Recyclable Curly False Eyelash Makeup Cosmetic Tools—BornPretty, Oct. 18, 2018, 6 pages.  
 Mac Heel 34 Lash Fake eyelashes, 1 page.  
 Buzludsha Monument, Gueorguy Stoilov circa 1980, [justanotherbackpacker.com](http://justanotherbackpacker.com), published by blogger Rich on Apr. 29, 2014 © 2019, online, site visited Aug. 27, 2019. Available from

(56)

**References Cited**

OTHER PUBLICATIONS

Internet, URL:<http://www.justanotherbackpacker.com/buzludzha-monument-bulgaria-ufo/> (Year: 2014).

Cruiser Portable Speaker, NYNE, published at [thegamerwithkids.com](http://thegamerwithkids.com), posted by Sam Versionone on Apr. 6, 2015 © not listed, <https://thegamerwithkids.com/2015/04/06/nyne-cruiser-review-a-wireless-speaker-for-your-bicycle/>, downloaded from internet Jun. 20, 2018.

Hongjun web page, <https://detail.1688.com/offer/574685154983.html?a2615.7691456.newlist.75.22i96dc5Msy00t>, downloaded from internet Oct. 31, 2018 (16 pages).

International Search Report and Written Opinion dated Mar. 12, 2018 in related PCT/2017/067513 filed Dec. 20, 2017 (10 pages).

International Search Report and Written Opinion dated Nov. 27, 2017 in related PCT/2017/044217 filed Jul. 27, 2017 (10 pages).

Lashify Gossamer Lash Cartridge <https://lashify.com/collections/shop-1/products/gossamer-eye-lozenge-c-style?variant=783670738950>, downloaded from internet Jun. 15, 2018 (2 pages).

\* cited by examiner

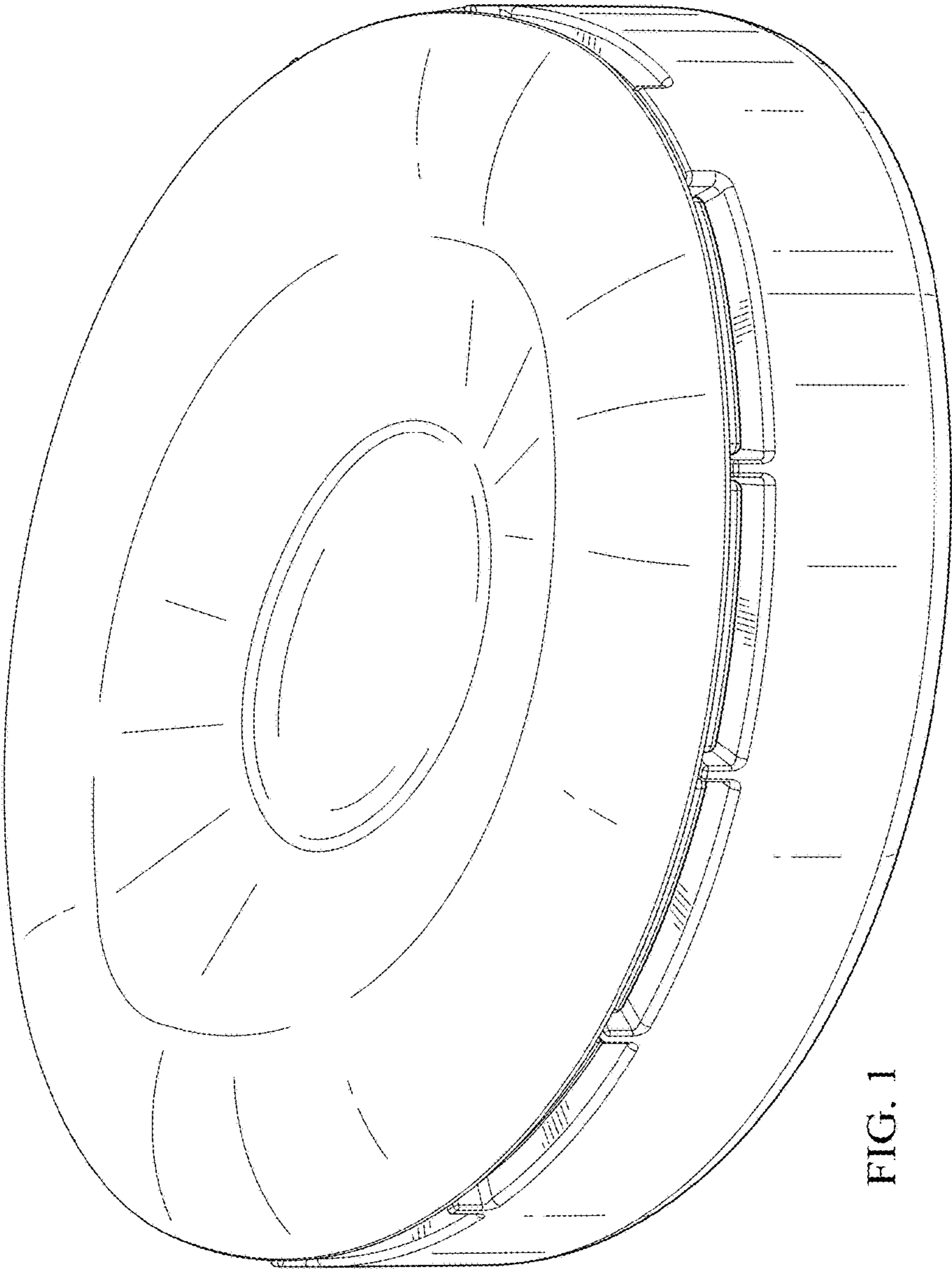


FIG. 1

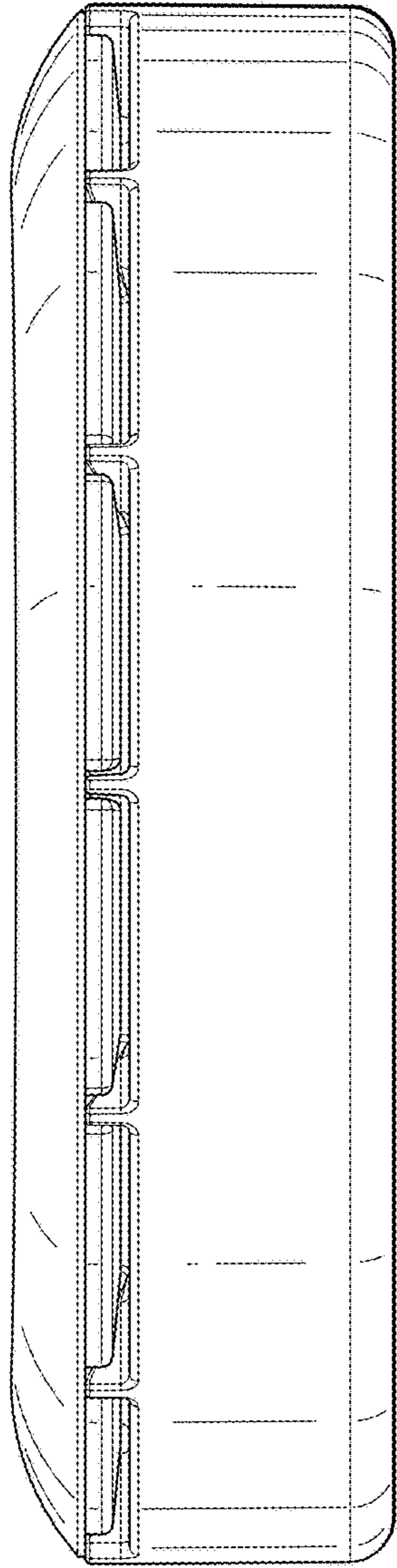


FIG. 2

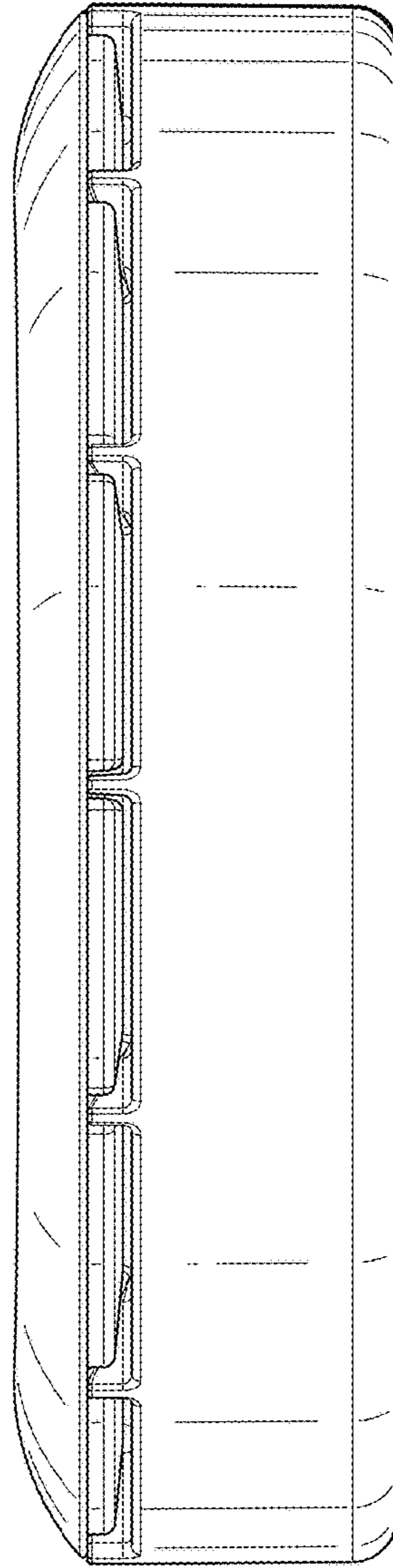


FIG. 3

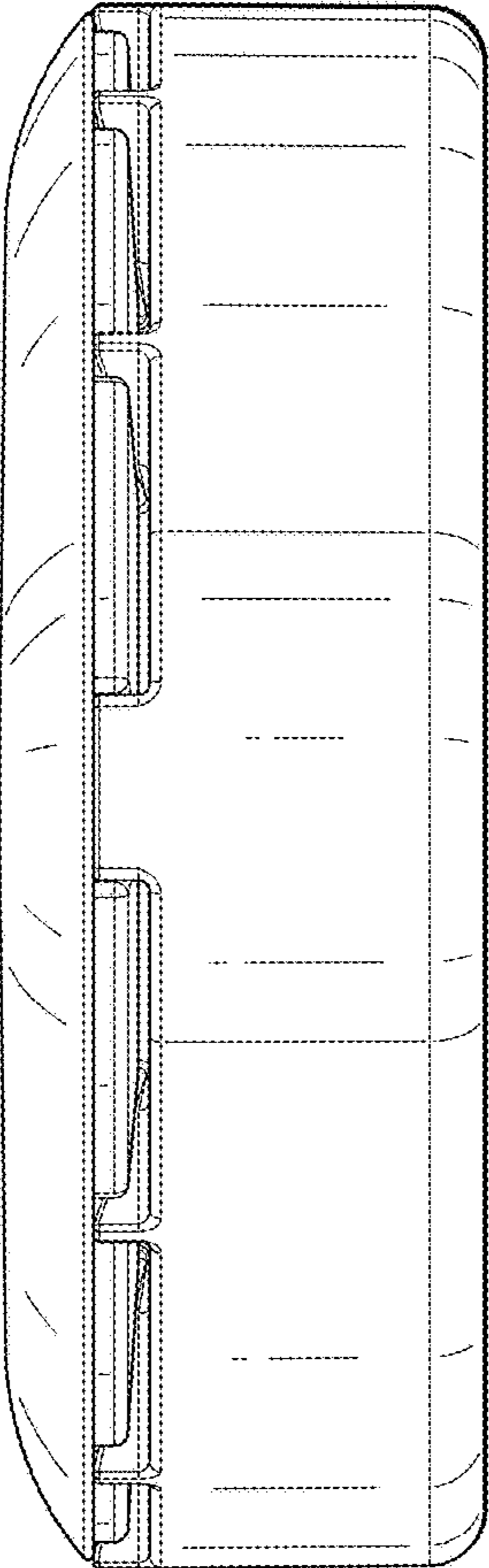


FIG. 4

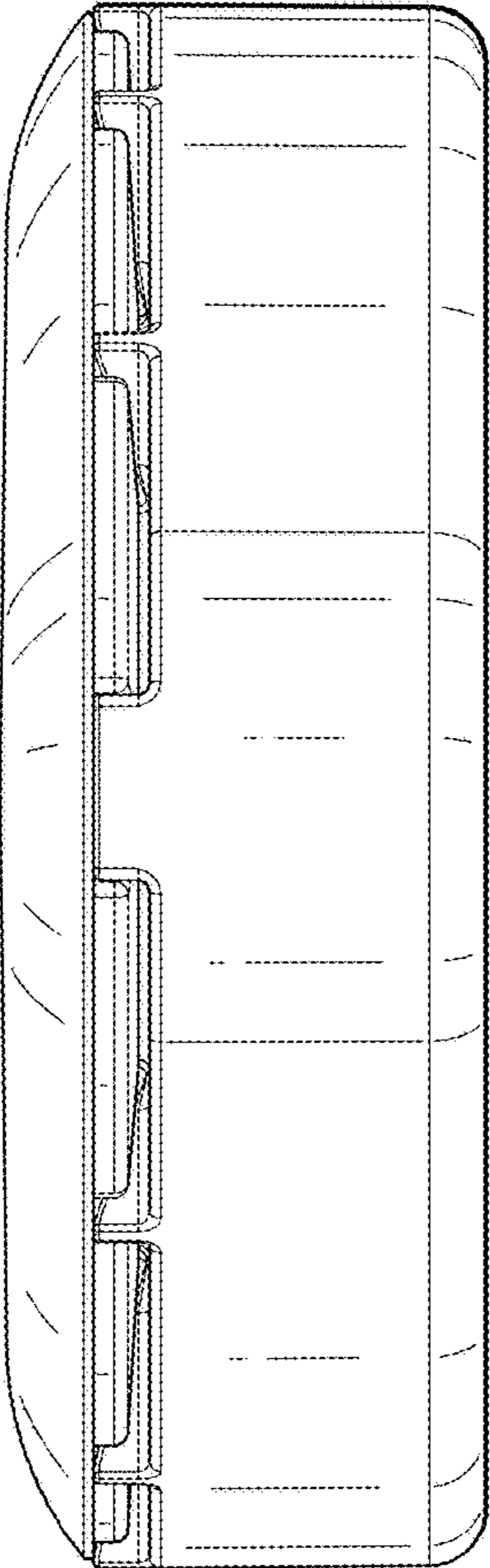


FIG. 5

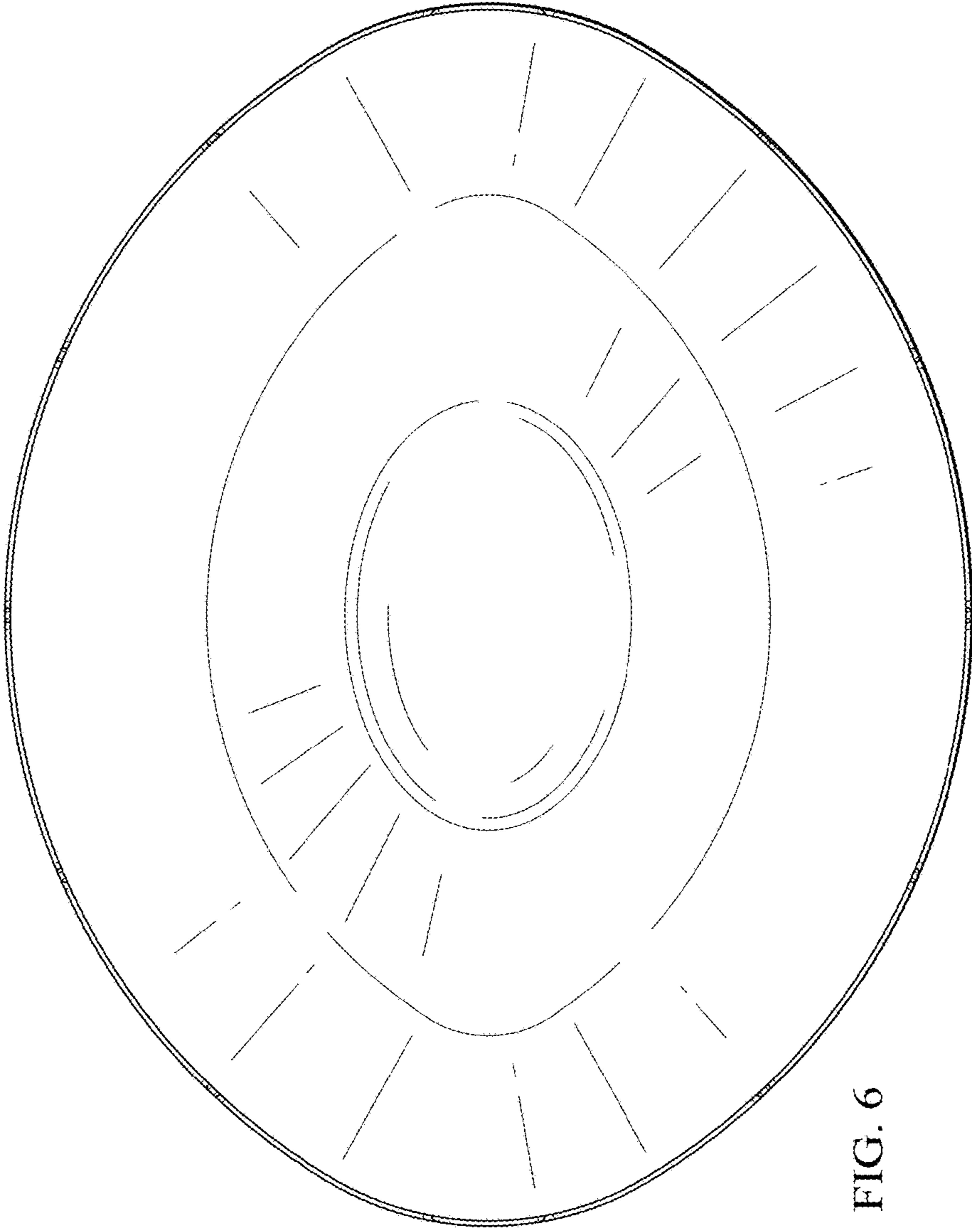


FIG. 6

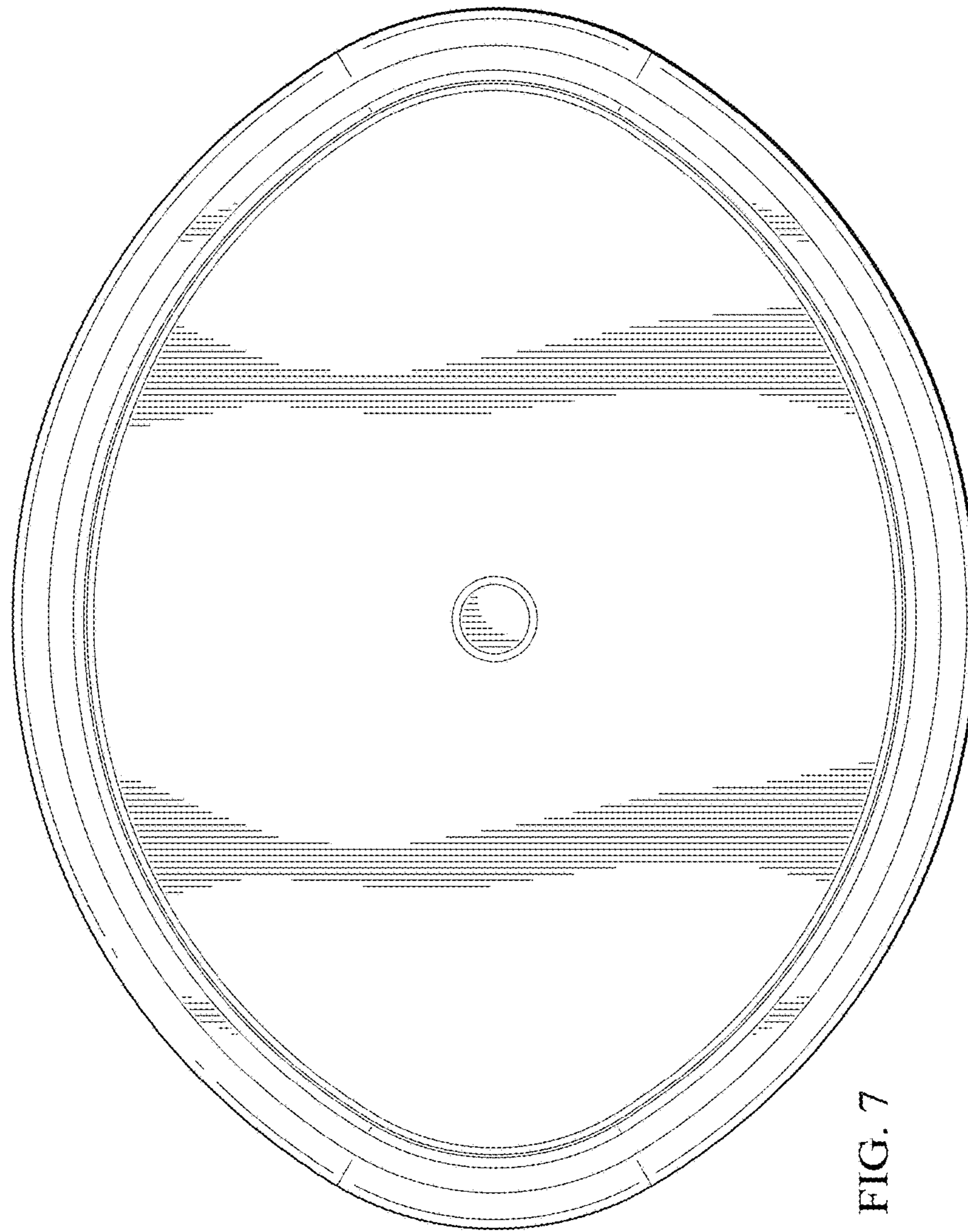


FIG. 7



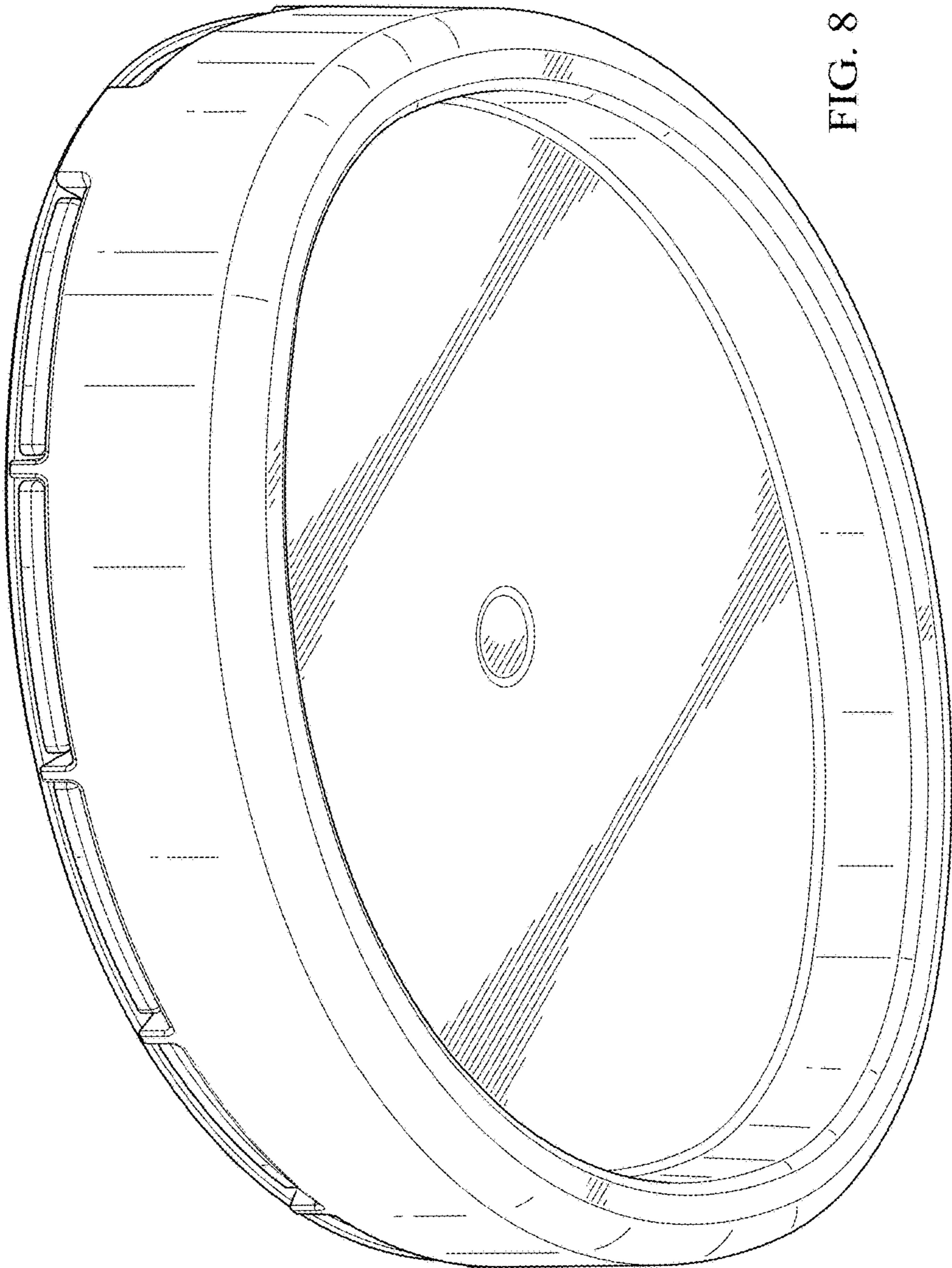


FIG. 8