



US00D877415S

(12) **United States Design Patent**
Aulwes et al.

(10) **Patent No.:** **US D877,415 S**
(45) **Date of Patent:** **** Mar. 3, 2020**

- (54) **HAIR TRIMMER HOUSING**
- (71) Applicant: **WAHL CLIPPER CORPORATION**,
Sterling, IL (US)
- (72) Inventors: **Chad Aulwes**, Sterling, IL (US); **Jon Freas**, Sterling, IL (US); **Eric Fisher**, Sterling, IL (US); **Garland Fox**, Joliet, IL (US)
- (73) Assignee: **WAHL CLIPPER CORPORATION**,
Sterling, IL (US)
- (**) Term: **15 Years**

| | | | |
|--------------|---------|-----------------|--------|
| D571,504 S | 6/2008 | Long et al. | |
| D597,254 S | 7/2009 | Eddinger | |
| D619,303 S | 7/2010 | Aulwes et al. | |
| D652,170 S | 1/2012 | Snow et al. | |
| D674,966 S * | 1/2013 | Wan | D28/53 |
| D677,836 S * | 3/2013 | Grabes | D28/51 |
| D678,612 S | 3/2013 | Aulwes et al. | |
| D679,448 S | 4/2013 | Erickson et al. | |
| D682,471 S | 5/2013 | Yde et al. | |
| D700,998 S | 3/2014 | Aulwes et al. | |
| D700,999 S | 3/2014 | Aulwes et al. | |
| D720,887 S * | 1/2015 | Gross | D28/53 |
| D751,760 S | 3/2016 | Zachrich et al. | |
| D777,980 S | 1/2017 | Moeller et al. | |
| D800,965 S * | 10/2017 | Aulwes | D28/53 |
| D808,592 S | 1/2018 | Fleming et al. | |
| D814,702 S | 4/2018 | Aulwes et al. | |
| D814,703 S | 4/2018 | Aulwes et al. | |

(Continued)

- (21) Appl. No.: **29/666,462**
- (22) Filed: **Oct. 12, 2018**
- (51) **LOC (12) Cl.** **28-03**
- (52) **U.S. Cl.**
USPC **D28/53**
- (58) **Field of Classification Search**
USPC D28/49-54; D30/158
CPC B26B 19/20-205; B26B 19/00-107; B26B
19/12-18; B26B 19/22-24; B26B
19/26-265; B26B 19/28-36; B26B
19/38-48
See application file for complete search history.

Primary Examiner — Jennifer Rivard
(74) *Attorney, Agent, or Firm* — Greer, Burns & Crain,
Ltd.

(57) **CLAIM**

The ornamental design for a hair trimmer housing, as shown and described.

DESCRIPTION

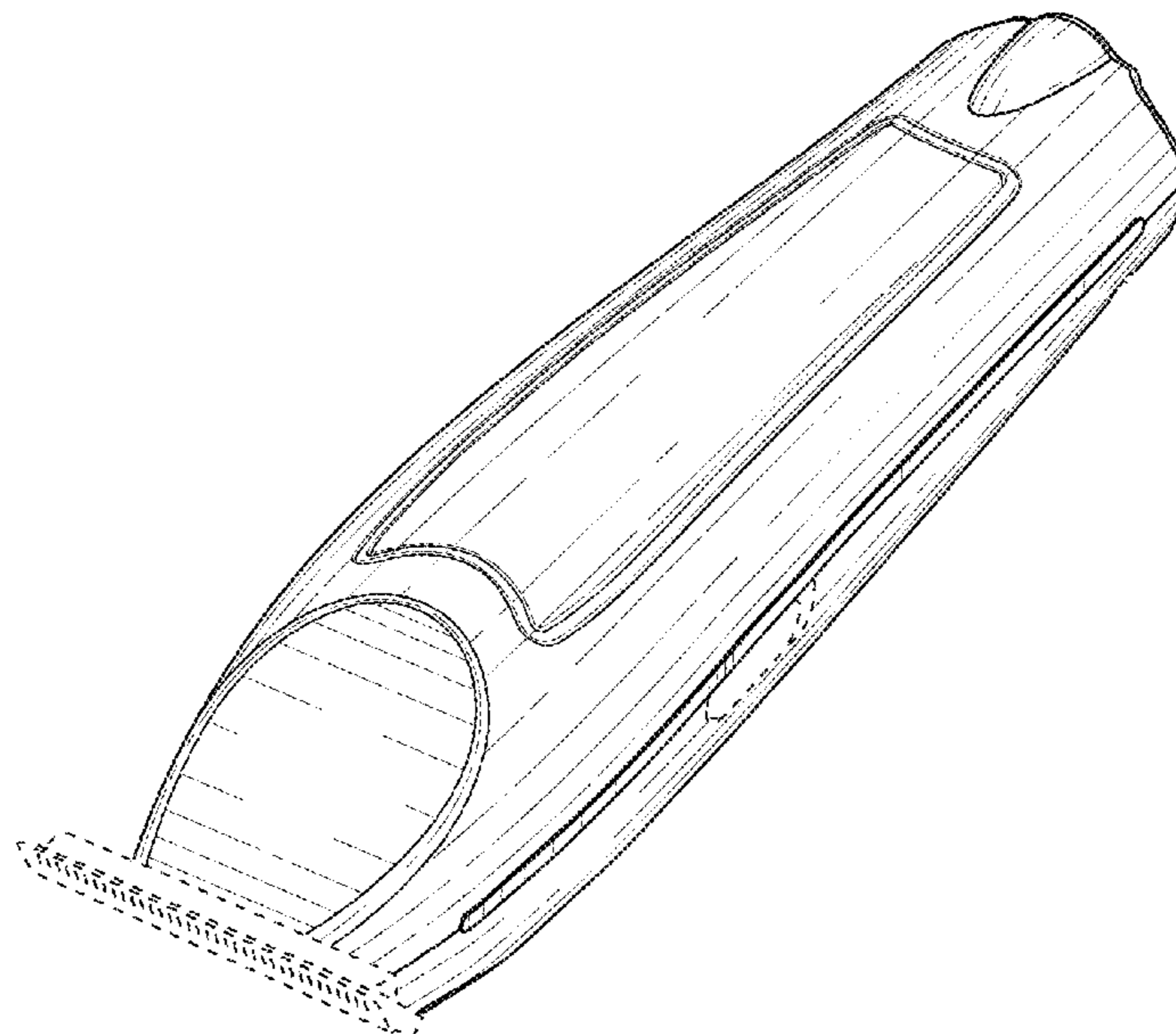
FIG. 1 is a top perspective view of the present hair trimmer housing;
FIG. 2 is a left side view of the hair trimmer housing of FIG. 1;
FIG. 3 is a right side view of same;
FIG. 4 is a front view of same;
FIG. 5 is a rear view of the hair trimmer housing of FIG. 1.
FIG. 6 is a top plan view of same; and,
FIG. 7 is a bottom view of the hair trimmer housing of FIG. 1.
The broken lines illustrate portions of the hair trimmer housing and form no part of the claimed design.

1 Claim, 4 Drawing Sheets

(56) **References Cited**

U.S. PATENT DOCUMENTS

| | | | |
|--------------|---------|-------------------|--------|
| D302,473 S | 8/1989 | Wahl et al. | |
| D435,936 S | 1/2001 | Long et al. | |
| D454,980 S | 3/2002 | Long et al. | |
| D525,745 S * | 7/2006 | McCambridge | D28/53 |
| D555,285 S | 11/2007 | Long et al. | |
| D555,286 S | 11/2007 | Long et al. | |
| D555,287 S | 11/2007 | Long et al. | |
| D556,380 S | 11/2007 | Long | |
| D568,542 S | 5/2008 | Long et al. | |



(56)

References Cited

U.S. PATENT DOCUMENTS

| | | | |
|--------------|--------|--------------------|--------|
| D828,626 S * | 9/2018 | Hsu | D28/50 |
| D849,326 S * | 5/2019 | Fleming | D28/53 |
| D851,834 S * | 6/2019 | Peterson, Jr. | D28/53 |
| D851,835 S * | 6/2019 | Gross | D28/53 |

* cited by examiner

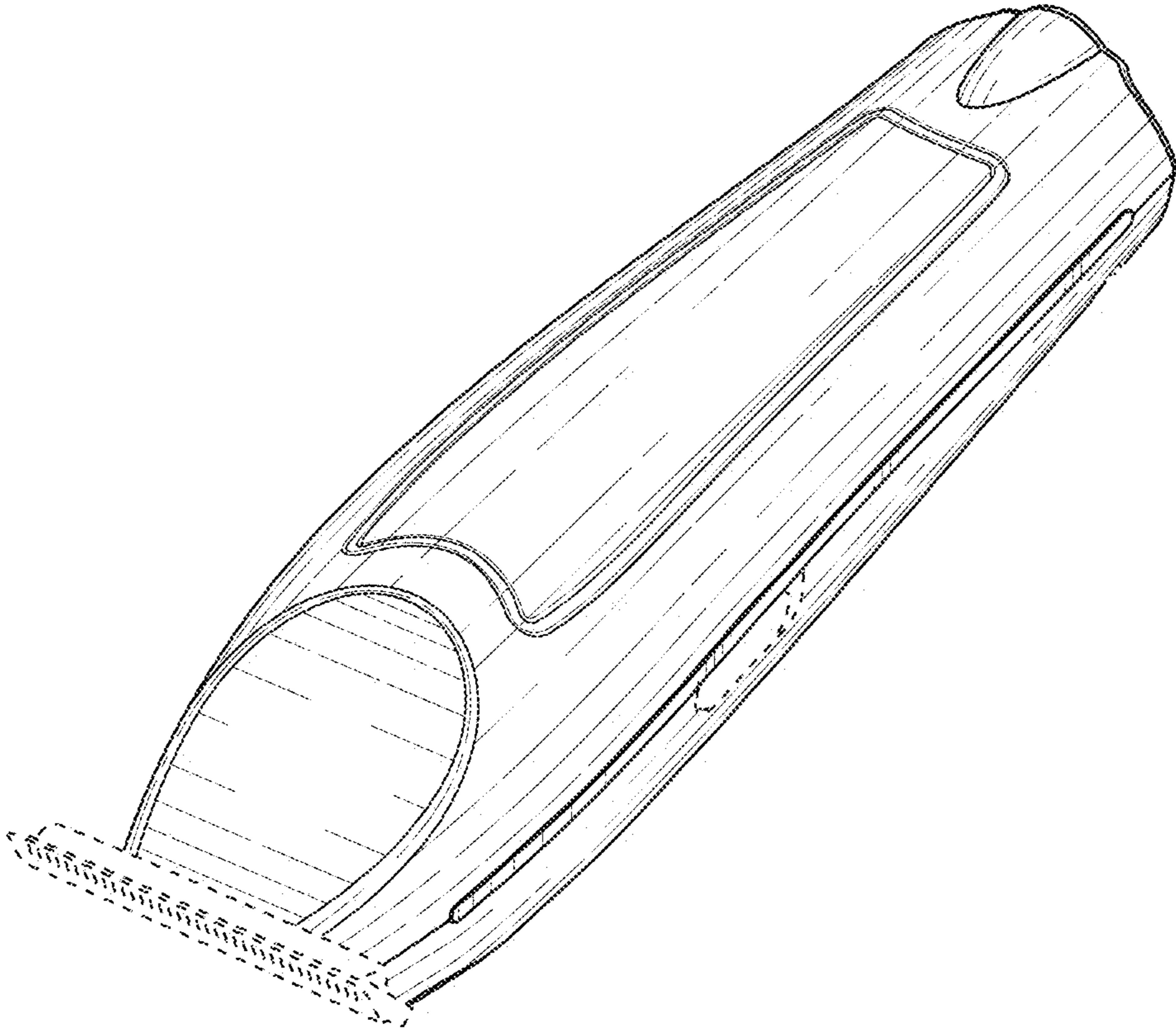


FIG. 1

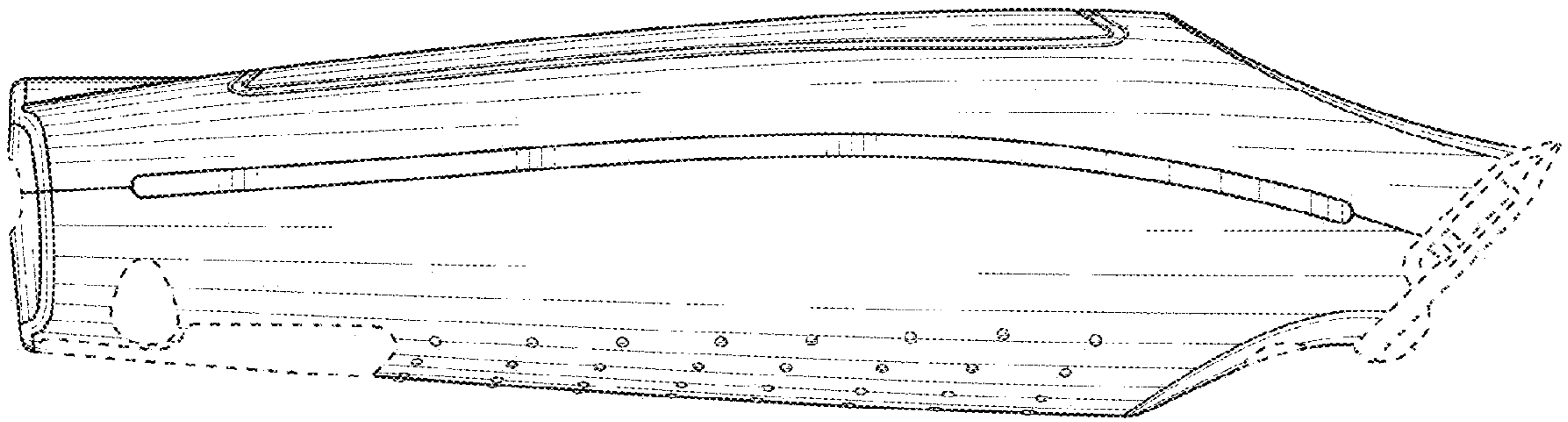


FIG. 2

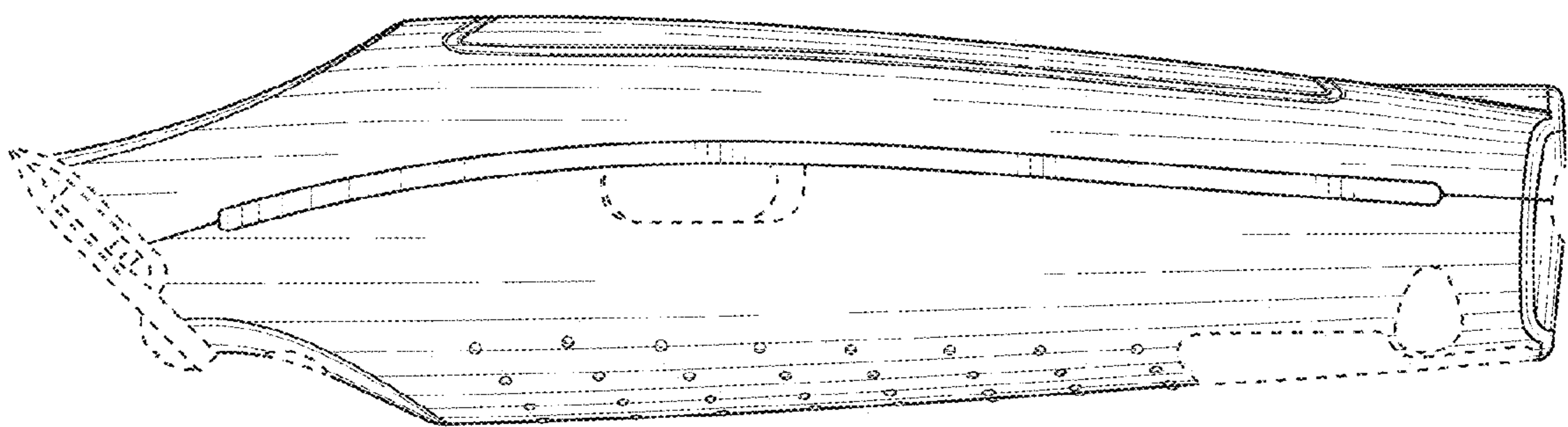


FIG. 3

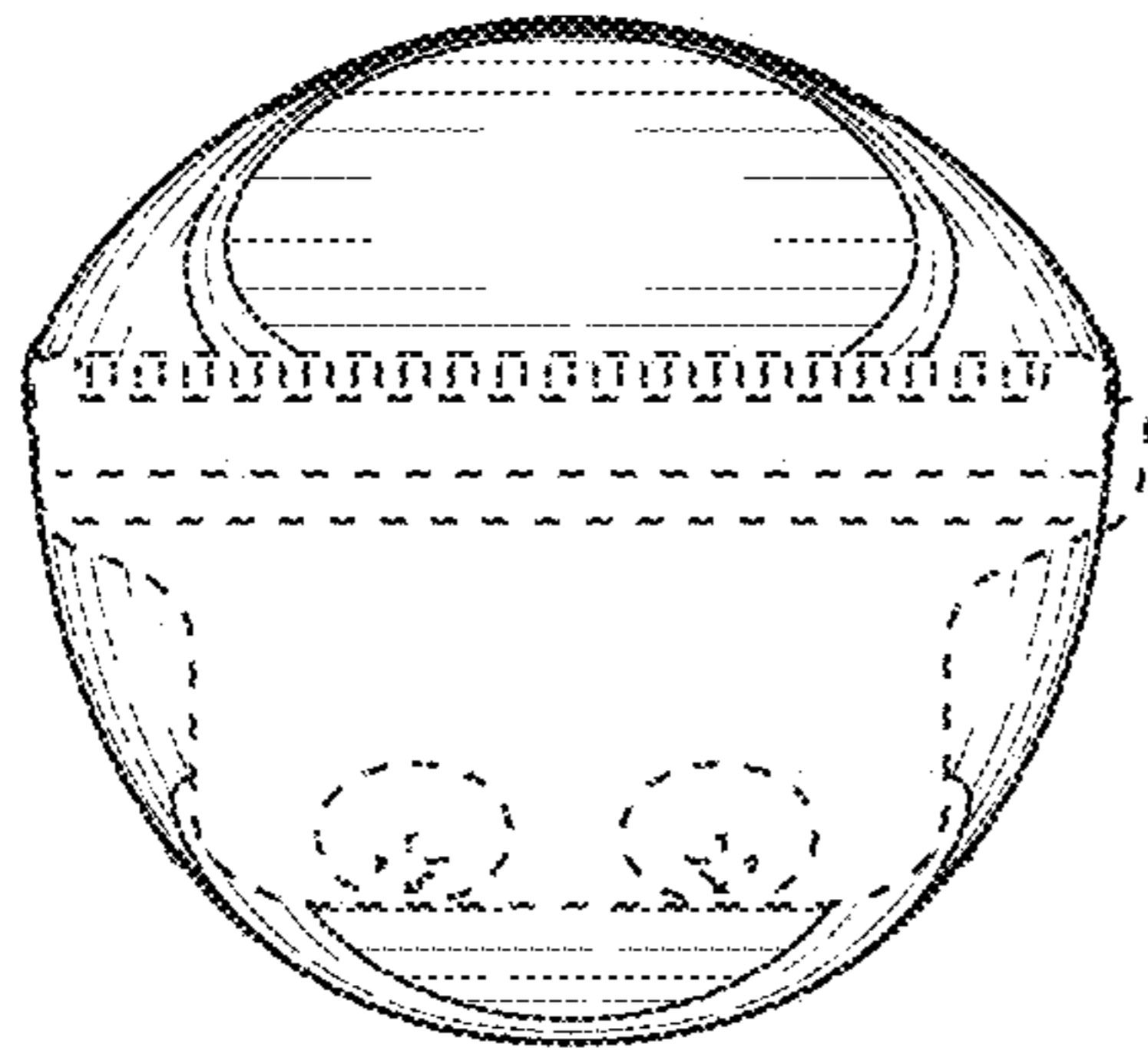


FIG. 4

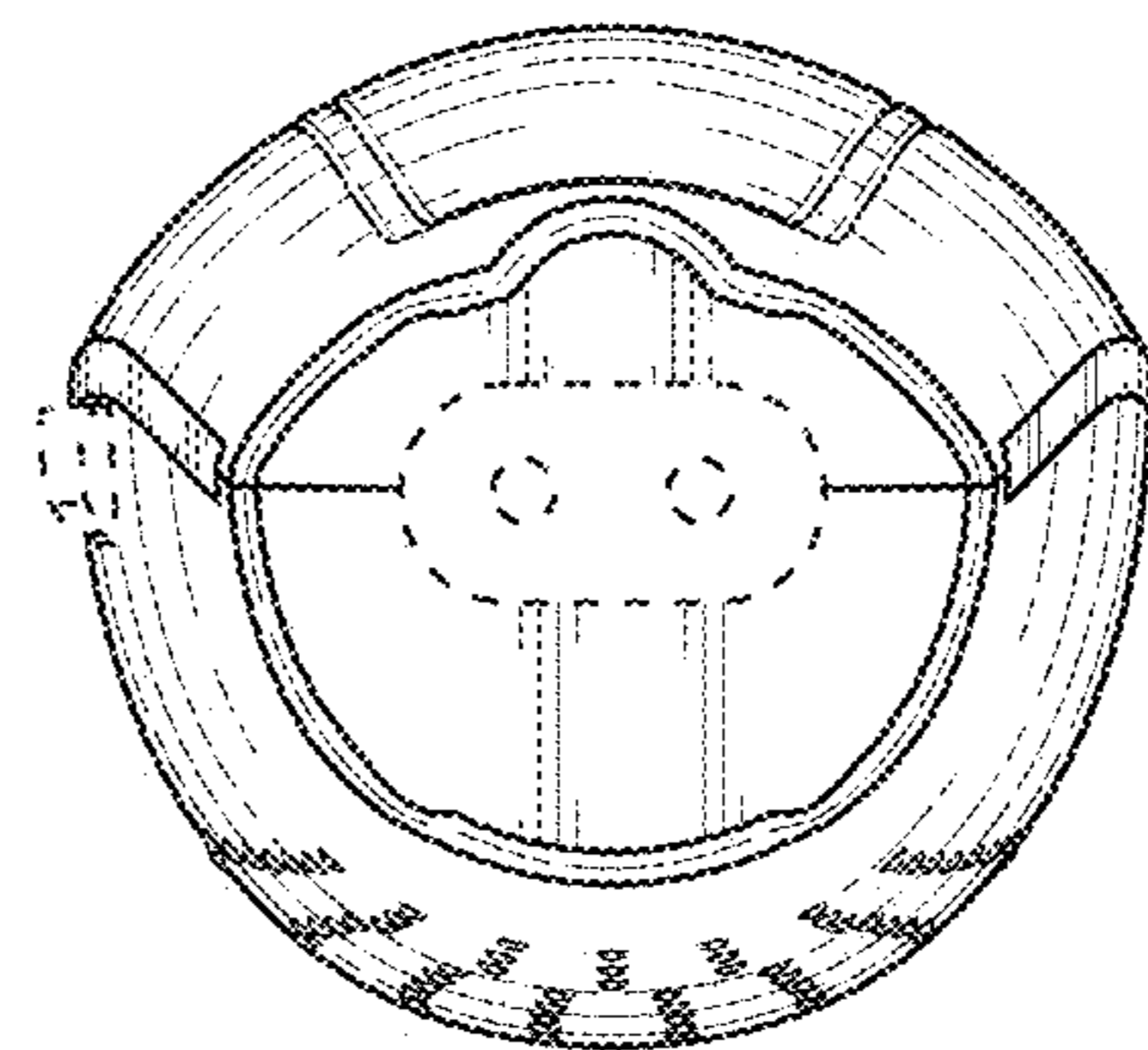


FIG. 5

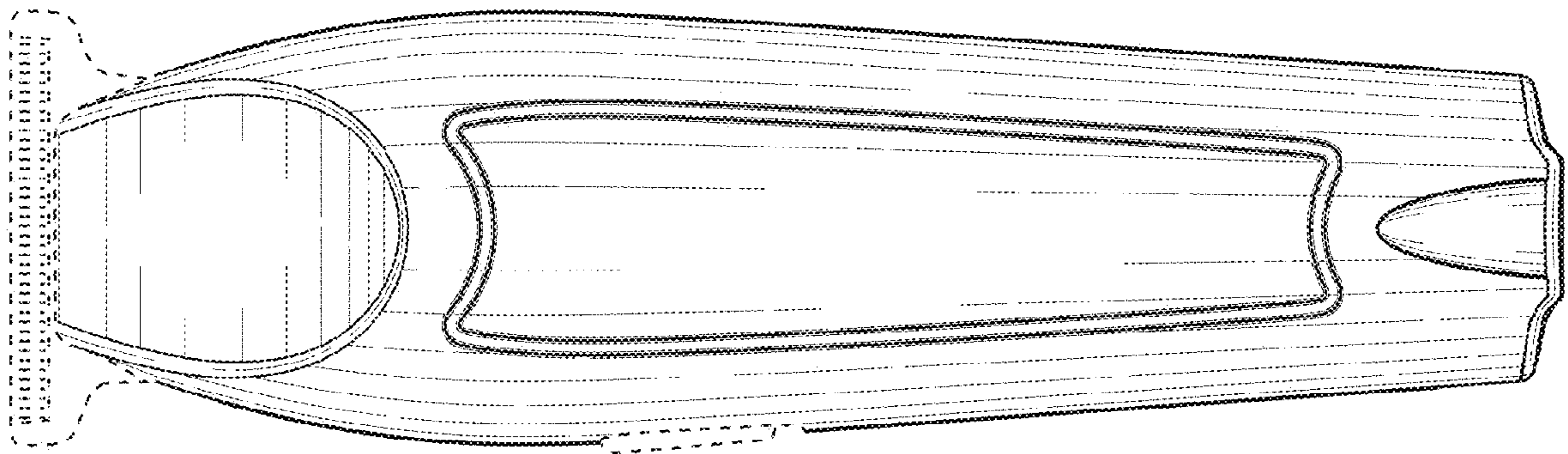


FIG. 6

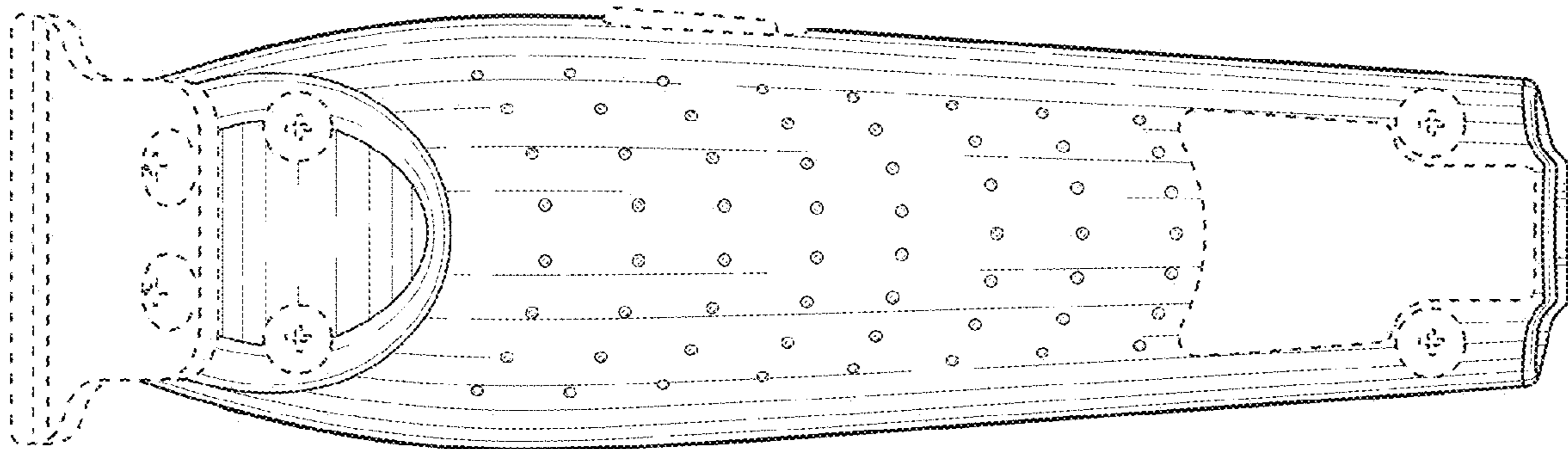


FIG. 7