



US00D877413S

(12) **United States Design Patent** (10) **Patent No.:** **US D877,413 S**  
**Lin** (45) **Date of Patent:** **\*\* Mar. 3, 2020**

(54) **HAIR CURLER**  
(71) Applicant: **Dongguan Bidisco Electric CO., LTD,**  
Dongguan (CN)  
(72) Inventor: **Qiongquan Lin,** Dongguan (CN)  
(73) Assignee: **Dongguan Bidisco Electric CO., LTD,**  
Dongguan (CN)

(\*\*) Term: **15 Years**

(21) Appl. No.: **29/666,218**

(22) Filed: **Oct. 10, 2018**

(51) **LOC (12) Cl.** ..... **28-03**

(52) **U.S. Cl.**  
USPC ..... **D28/35**

(58) **Field of Classification Search**  
USPC ..... D28/10, 35, 37-38  
CPC ..... A45D 2/00; A45D 2001/045; A45D 1/16;  
A45D 1/04; A45D 1/18; A45D 1/06-14;  
A45D 2/02-10; A45D 2/38-42; A45D  
2/001-002

See application file for complete search history.

(56) **References Cited**

**U.S. PATENT DOCUMENTS**

D609,401 S \* 2/2010 Yang ..... D28/35  
D627,513 S \* 11/2010 Kim ..... D28/35

8,232,505 B2 \* 7/2012 Hottenrott ..... A45D 1/06  
132/232  
D682,467 S \* 5/2013 Kim ..... D28/35  
D780,374 S \* 2/2017 Yu ..... D28/35  
D825,848 S \* 8/2018 Brady ..... D28/35  
D832,511 S \* 10/2018 Chandra ..... D28/35  
D850,002 S \* 5/2019 Bates ..... D28/35  
D861,985 S \* 10/2019 Liao ..... D28/35  
2017/0164707 A1 \* 6/2017 Cowdry ..... H05B 3/06

\* cited by examiner

*Primary Examiner* — Jennifer Rivard

(74) *Attorney, Agent, or Firm* — Wayne & Ken, LLC;  
Tony Hom

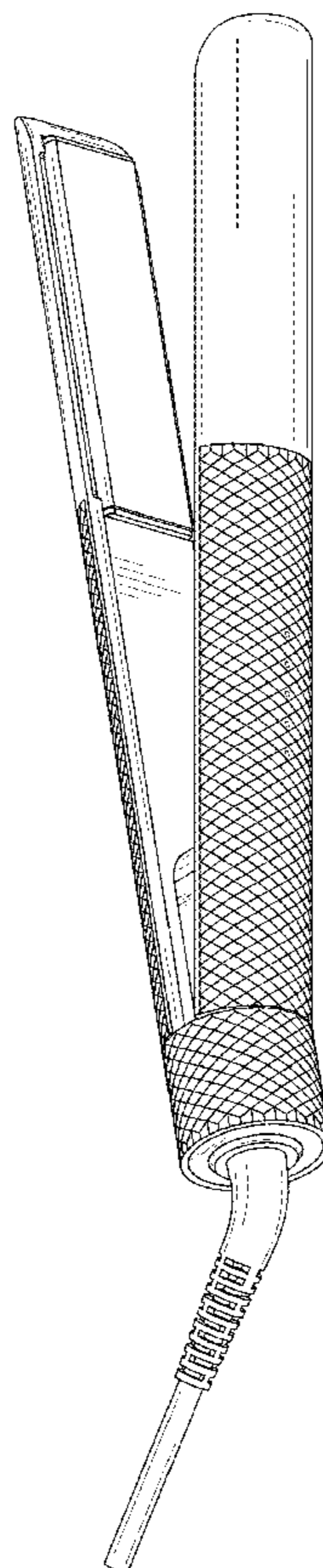
(57) **CLAIM**

The ornamental design for a hair curler, as shown and described.

**DESCRIPTION**

FIG. 1 is a front elevational view of a hair curler showing my new design;  
FIG. 2 is a rear elevational view thereof;  
FIG. 3 is a top plan view thereof;  
FIG. 4 is a bottom plan view thereof;  
FIG. 5 is a left side elevational view thereof;  
FIG. 6 is a right side elevational view thereof;  
FIG. 7 is a front perspective view thereof; and,  
FIG. 8 is another front perspective view of the design show in FIGS. 1 through 7 in an alternate configuration.

**1 Claim, 6 Drawing Sheets**



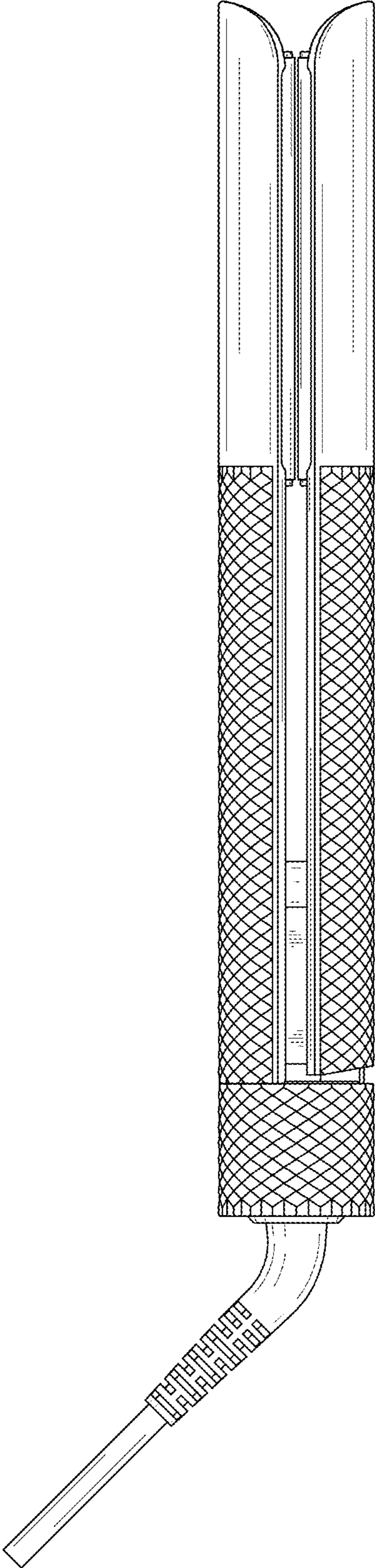


FIG.1

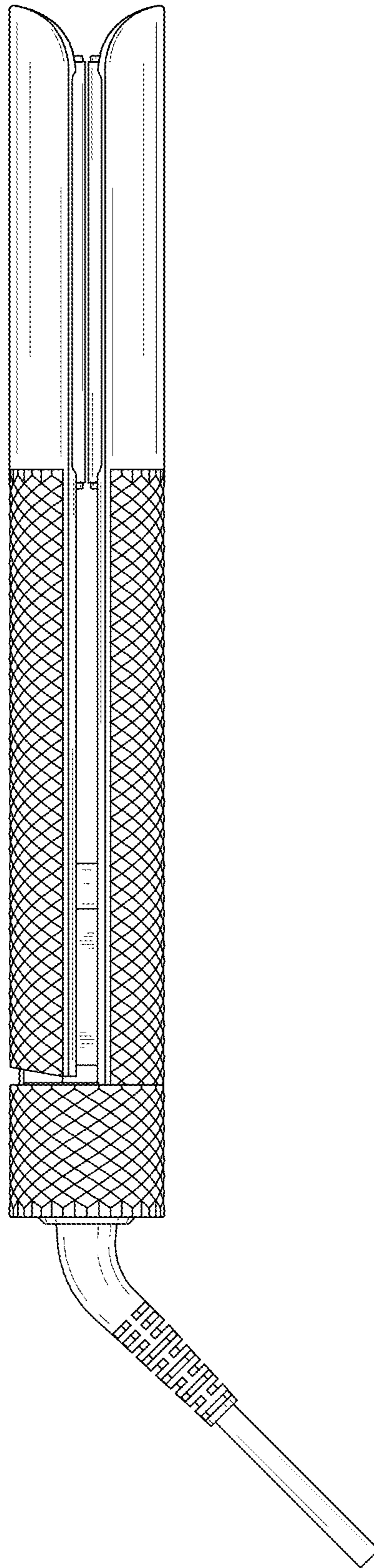


FIG.2



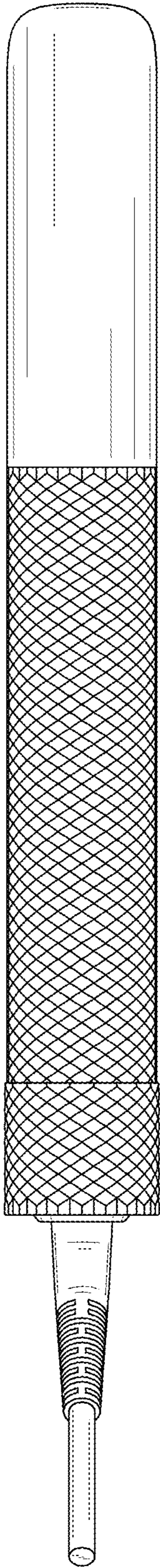


FIG.3

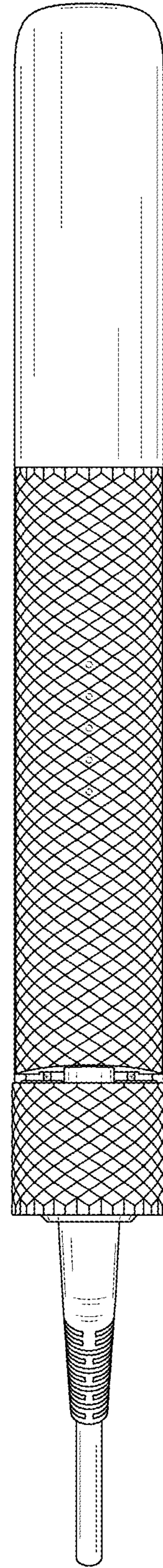


FIG.4

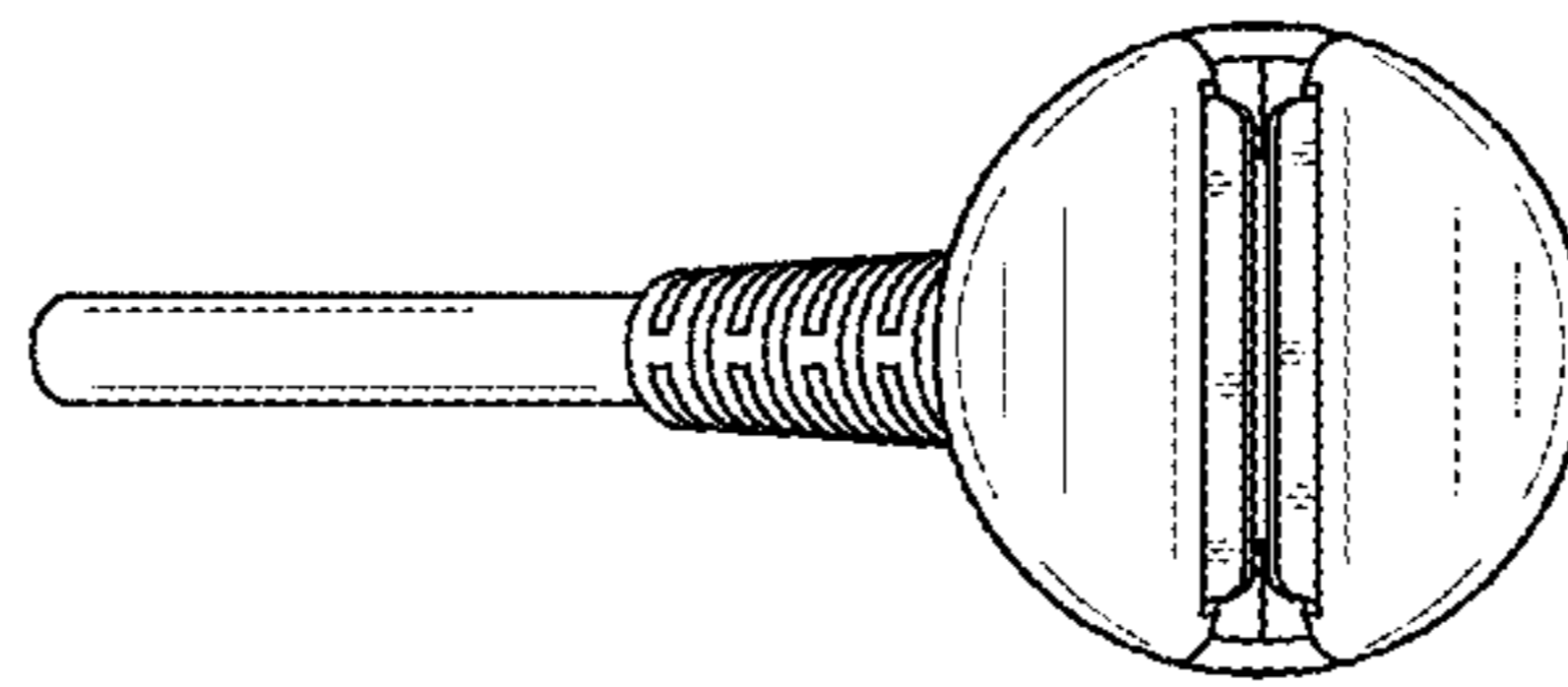


FIG.5

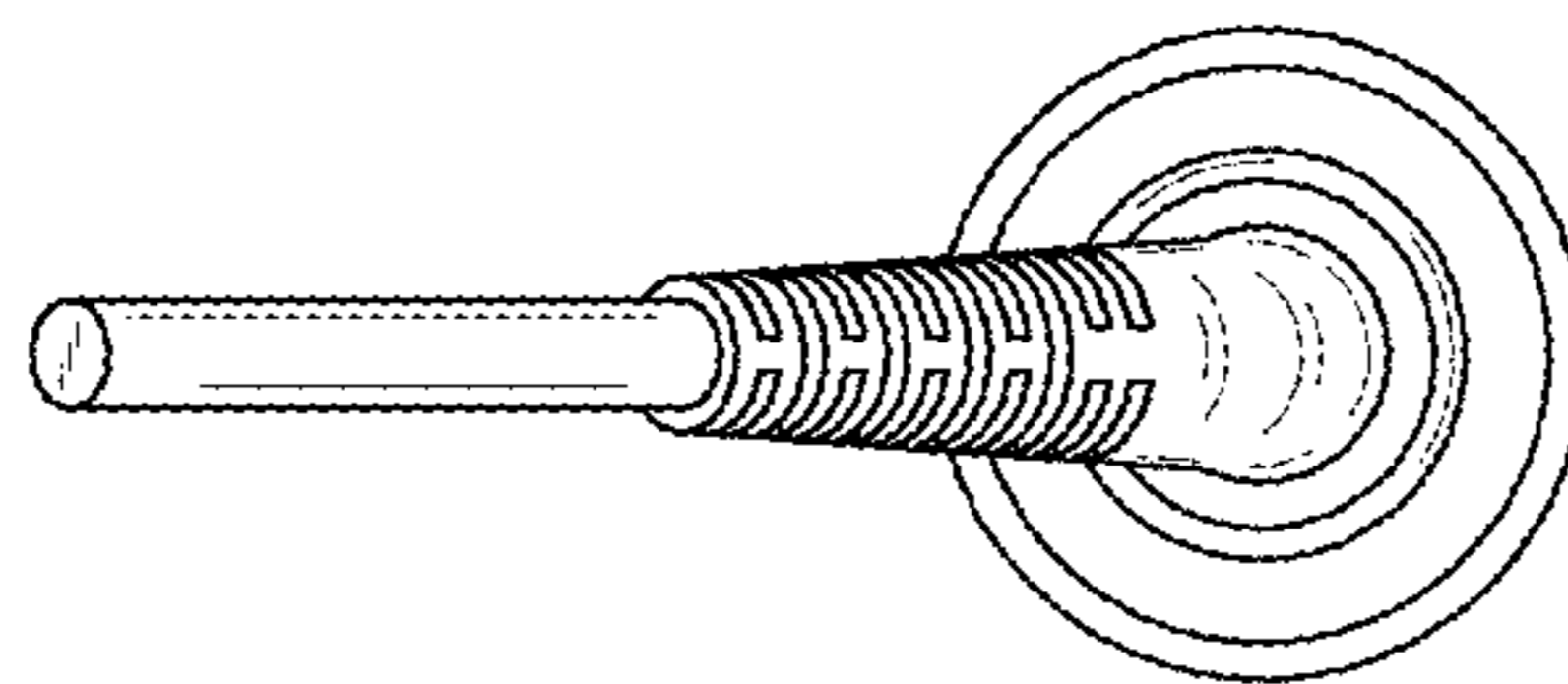


FIG.6

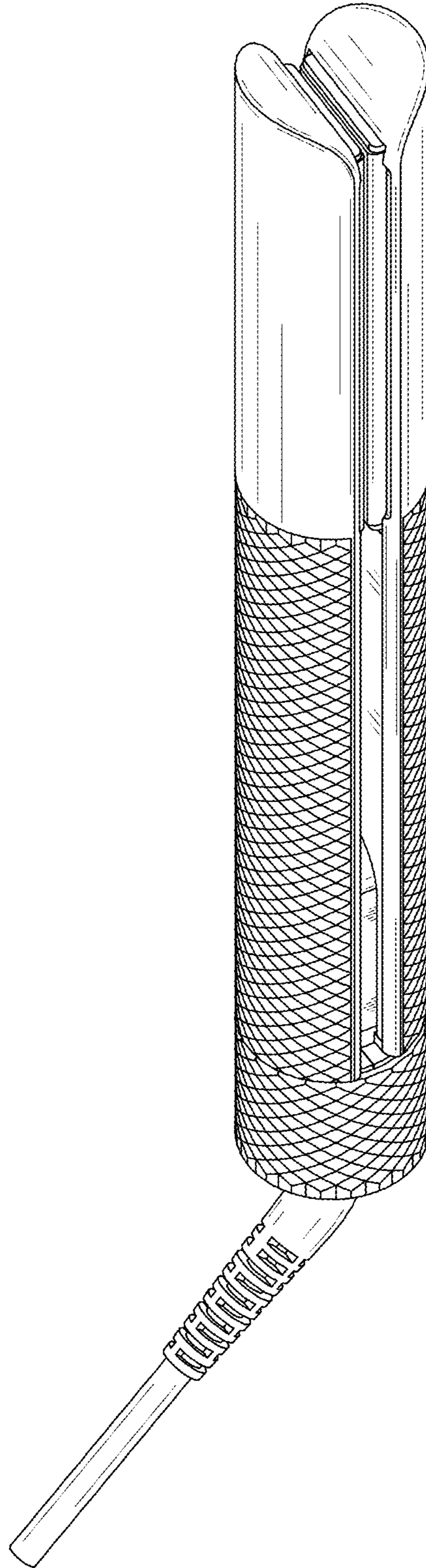


FIG.7

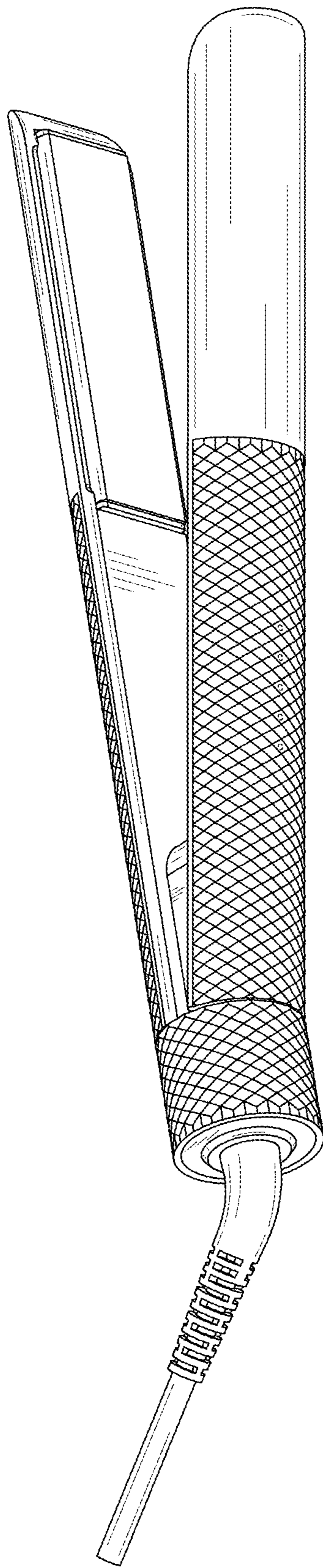


FIG.8