



US00D877412S

(12) **United States Design Patent** (10) **Patent No.:** **US D877,412 S**
Weissman et al. (45) **Date of Patent:** **** Mar. 3, 2020**

(54) **CIGAR PUNCH**
(71) Applicants: **Mark Weissman**, Clarksville, MD
(US); **Marc Alston**, Laurel, MD (US)
(72) Inventors: **Mark Weissman**, Clarksville, MD
(US); **Marc Alston**, Laurel, MD (US)
(**) Term: **15 Years**
(21) Appl. No.: **29/656,604**
(22) Filed: **Jul. 13, 2018**
(51) **LOC (12) Cl.** **27-99**
(52) **U.S. Cl.**
USPC **D27/195**
(58) **Field of Classification Search**
USPC D27/195, 172, 783, 187, 194; D19/72;
131/253-255, 248, 252, 250, 188
CPC A24F 13/24; A24F 13/26
See application file for complete search history.

8,156,943 B1 * 4/2012 Bray A24F 13/24
131/255
D683,070 S * 5/2013 Laone D27/195
D794,573 S * 8/2017 Tateishi D13/147
D804,094 S * 11/2017 Almsberger D27/195

* cited by examiner

Primary Examiner — Marissa J Cash
Assistant Examiner — Rebecca Tsehaye
(74) *Attorney, Agent, or Firm* — Garcia-Zamor
Intellectual Property Law, LLC; Ruy Garcia-Zamor

(57) **CLAIM**

We claim the ornamental design for a cigar punch, as shown and described.

DESCRIPTION

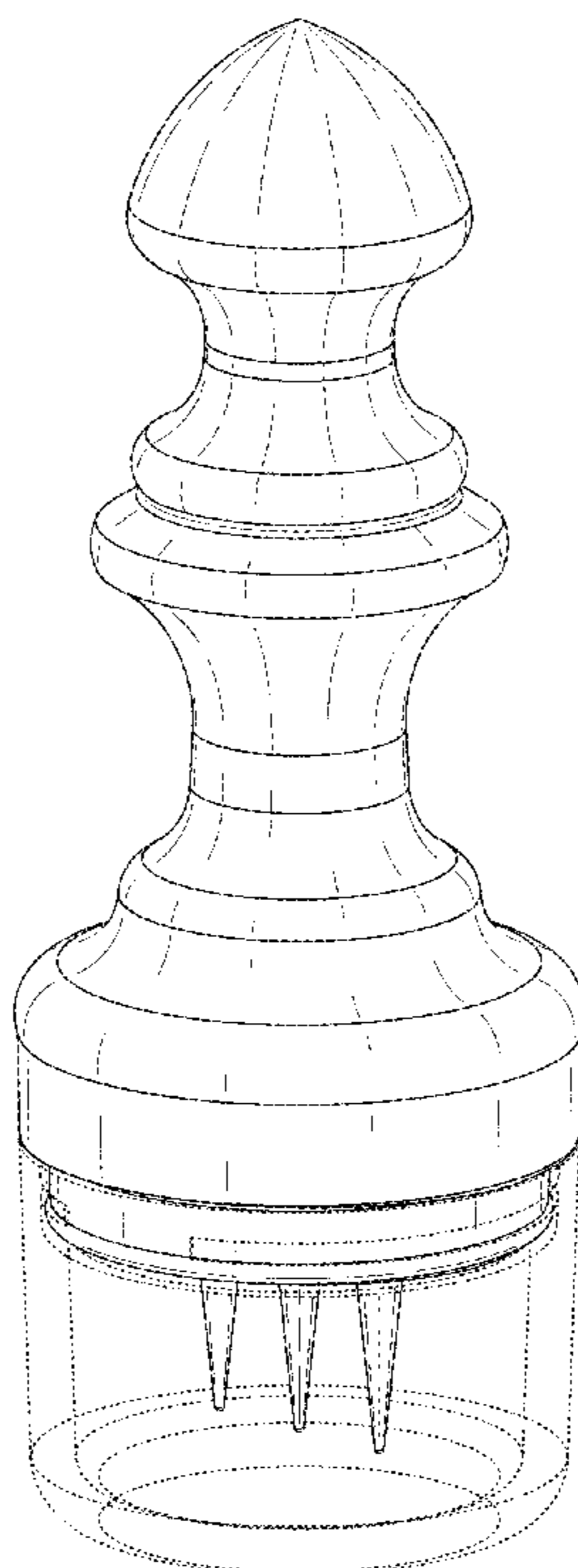
FIG. 1 is a top, right, front perspective view of a cigar punch according to our new design;
FIG. 2 is a front elevational view of the cigar punch of FIG. 1;
FIG. 3 is a rear elevational view of the cigar punch of FIG. 1;
FIG. 4 is a left side view of the cigar punch of FIG. 1;
FIG. 5 is a right side view of the cigar punch of FIG. 1;
FIG. 6 is a top plan view of the cigar punch of FIG. 1;
FIG. 7 is a bottom plan view of the cigar punch of FIG. 1;
FIG. 8 is a bottom, right, rear, perspective view of the cigar punch of FIG. 1; and,
FIG. 9 is a bottom, right, front perspective view of the cigar punch of FIG. 1.
The broken lines in FIGS. 1-5 and 7-9 represent environment which forms no part of the claimed design.

(56) **References Cited**

U.S. PATENT DOCUMENTS

D222,399 S * 10/1971 Laws et al. D19/72
D246,803 S * 12/1977 Steinberg D27/192
D283,451 S * 4/1986 Kolpin D27/195
D310,730 S * 9/1990 Sielck D27/195
5,535,763 A * 7/1996 Conte A24F 13/24
131/255
D388,532 S * 12/1997 Wander D27/195
5,799,662 A * 9/1998 Conte A24F 13/26
131/255
6,196,233 B1 * 3/2001 Anastasio A24F 13/26
131/248
D644,361 S * 8/2011 McCoy D13/127

1 Claim, 7 Drawing Sheets



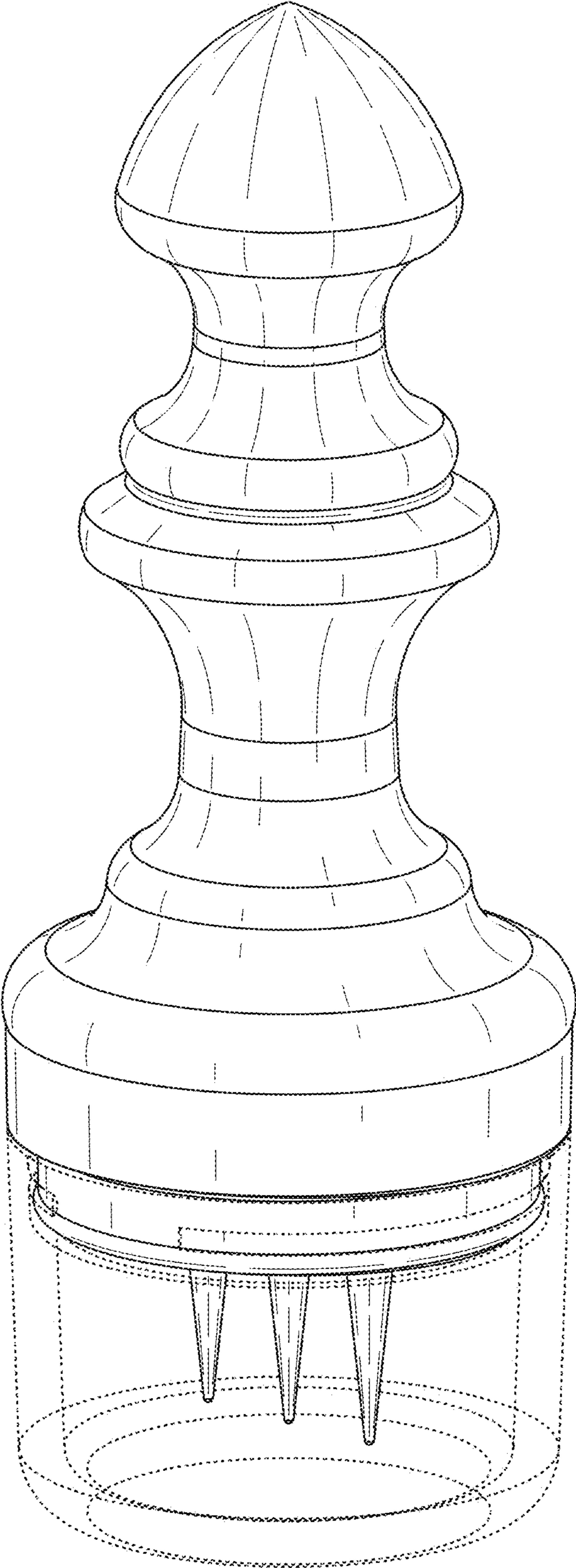


FIG. 1

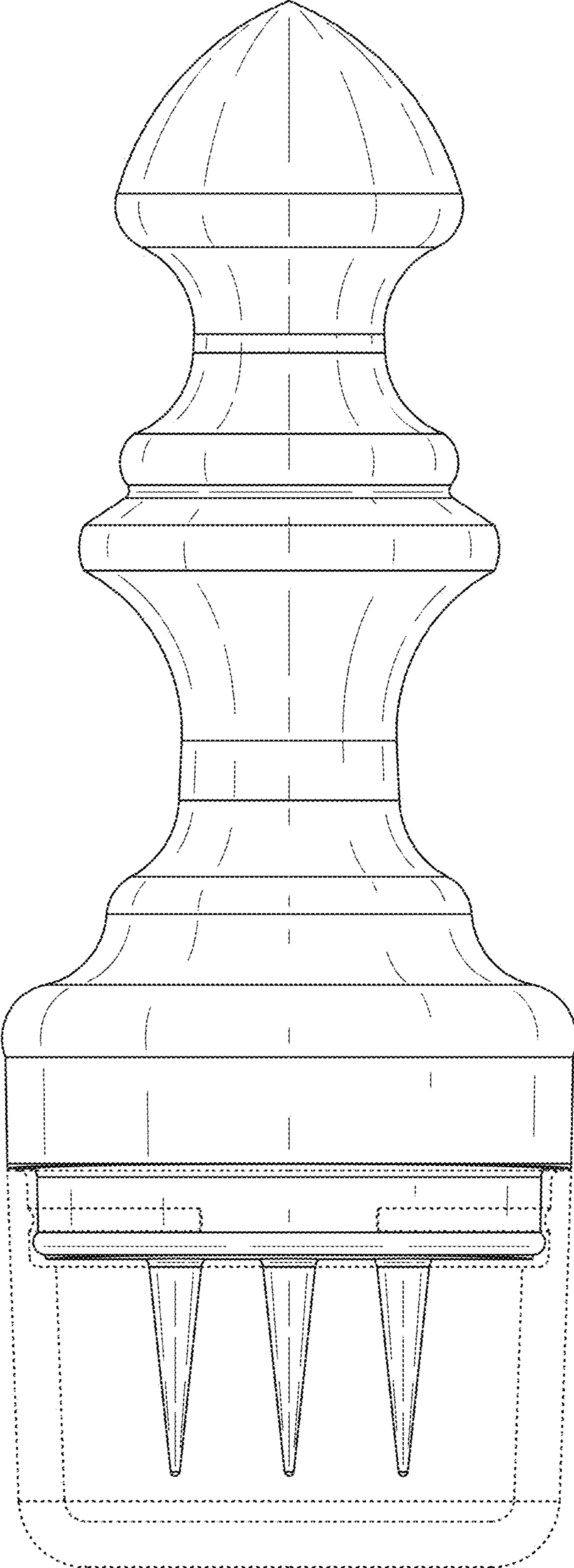


FIG. 2

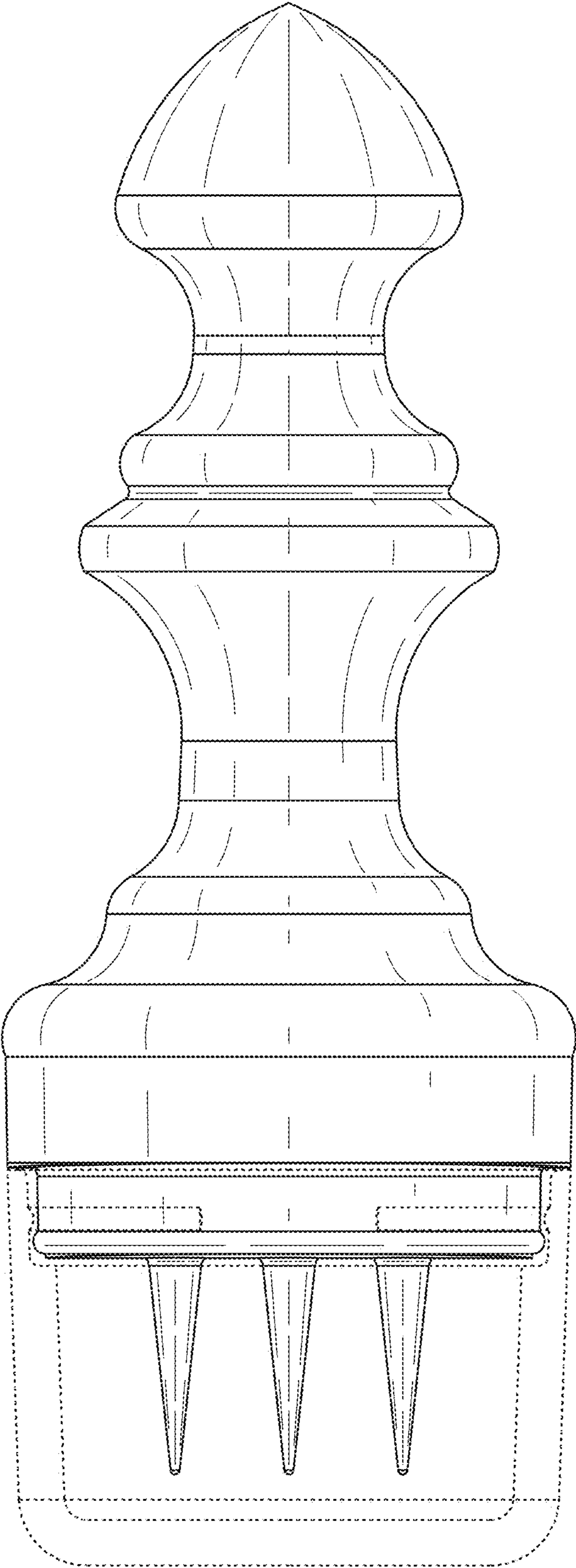


FIG. 3

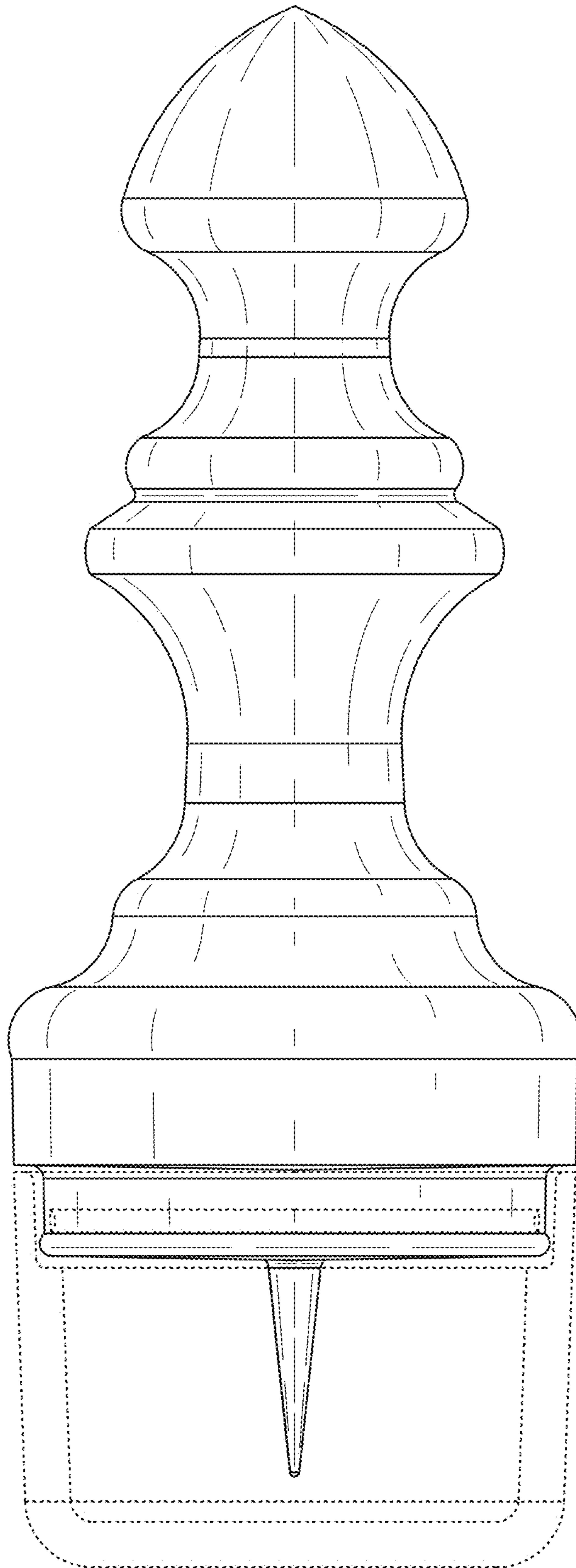


FIG. 4

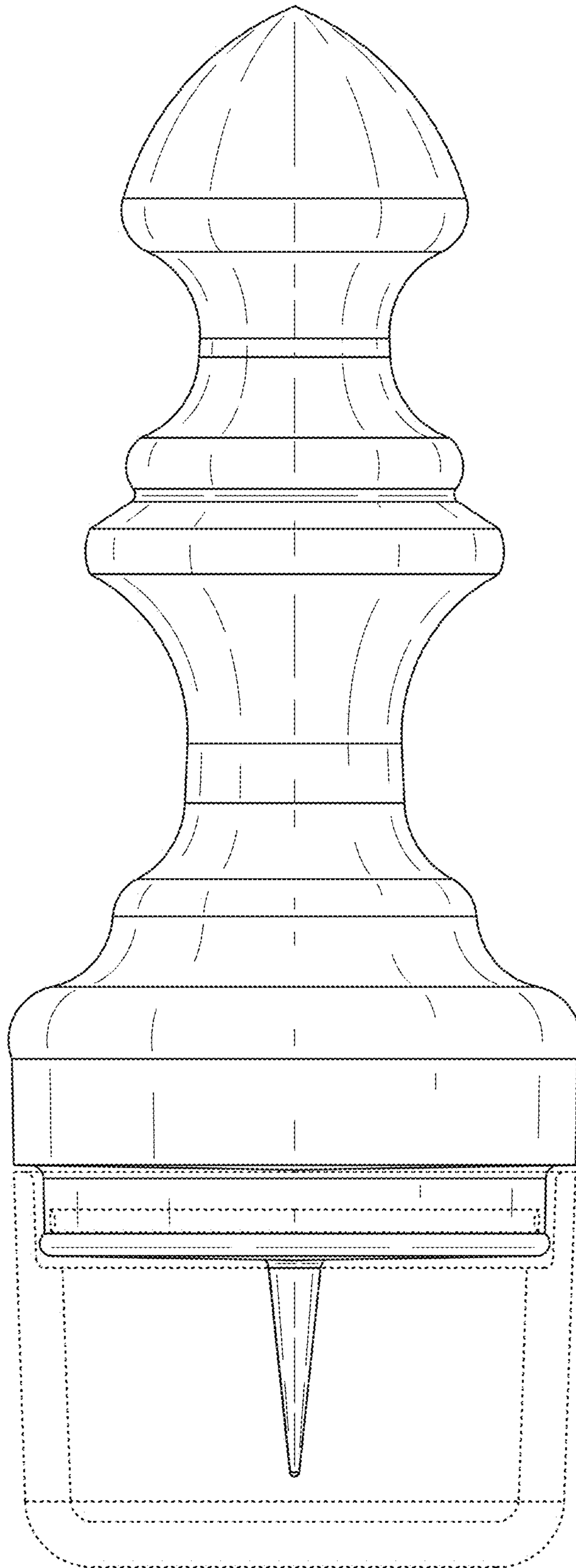


FIG. 5

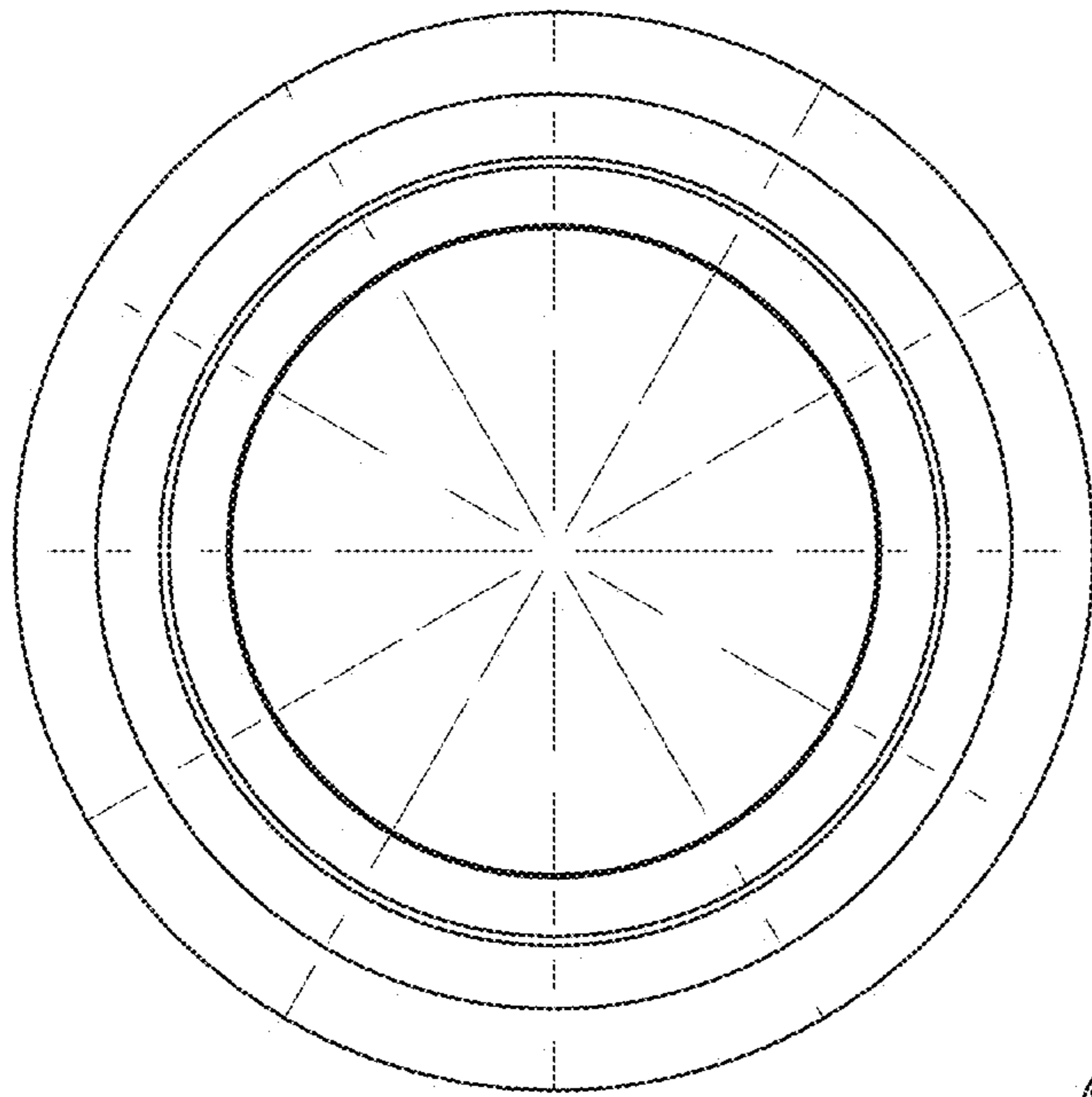


FIG. 6

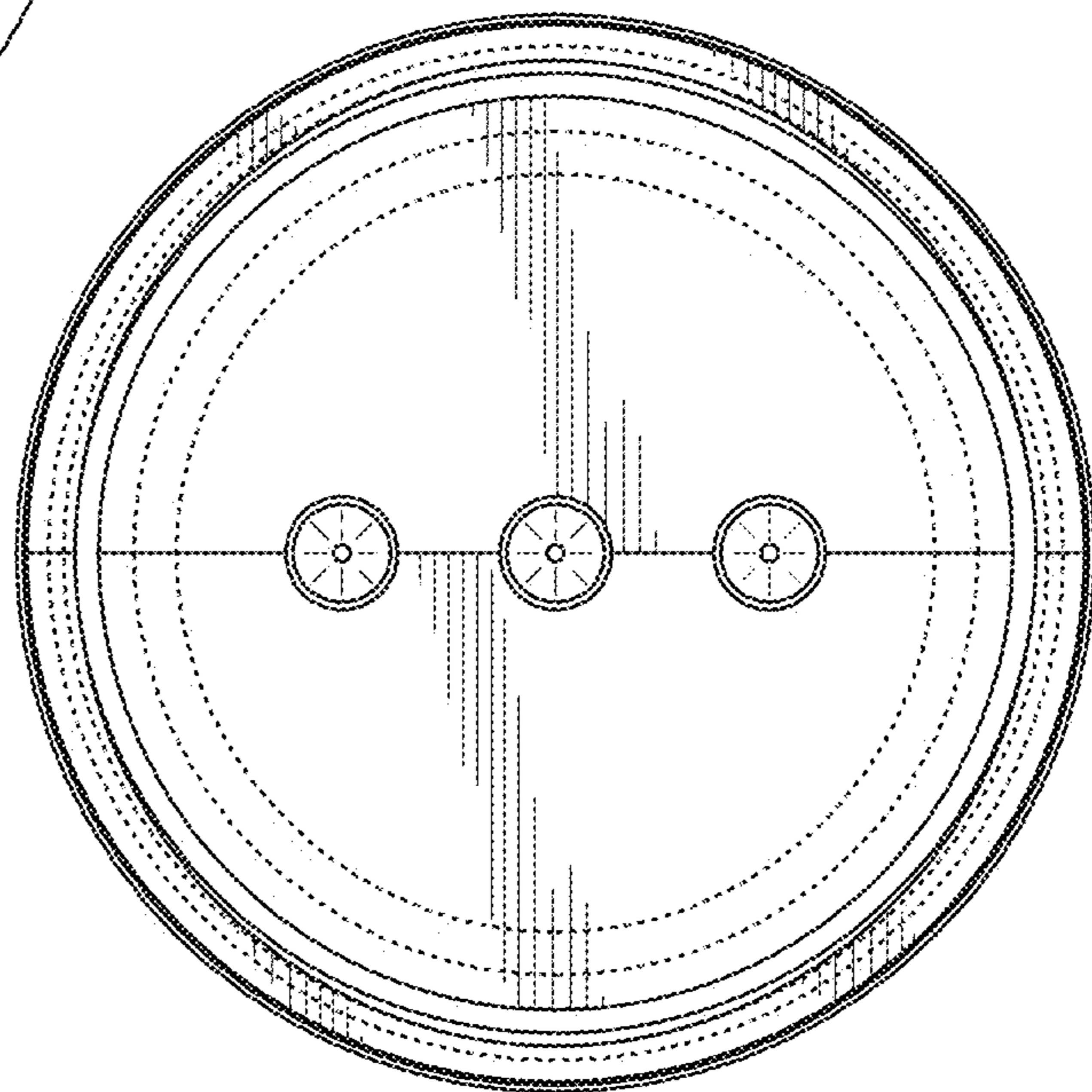


FIG. 7

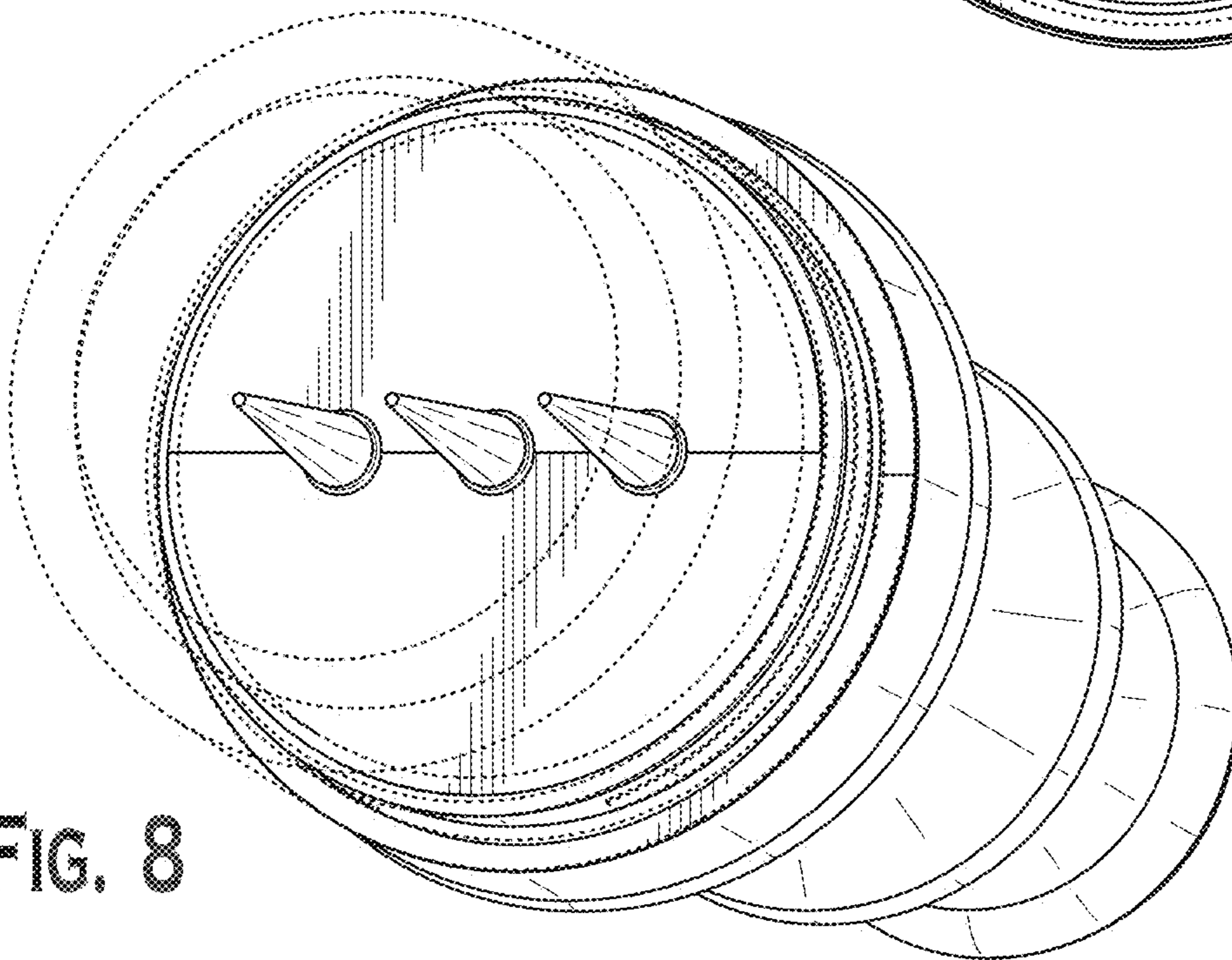


FIG. 8

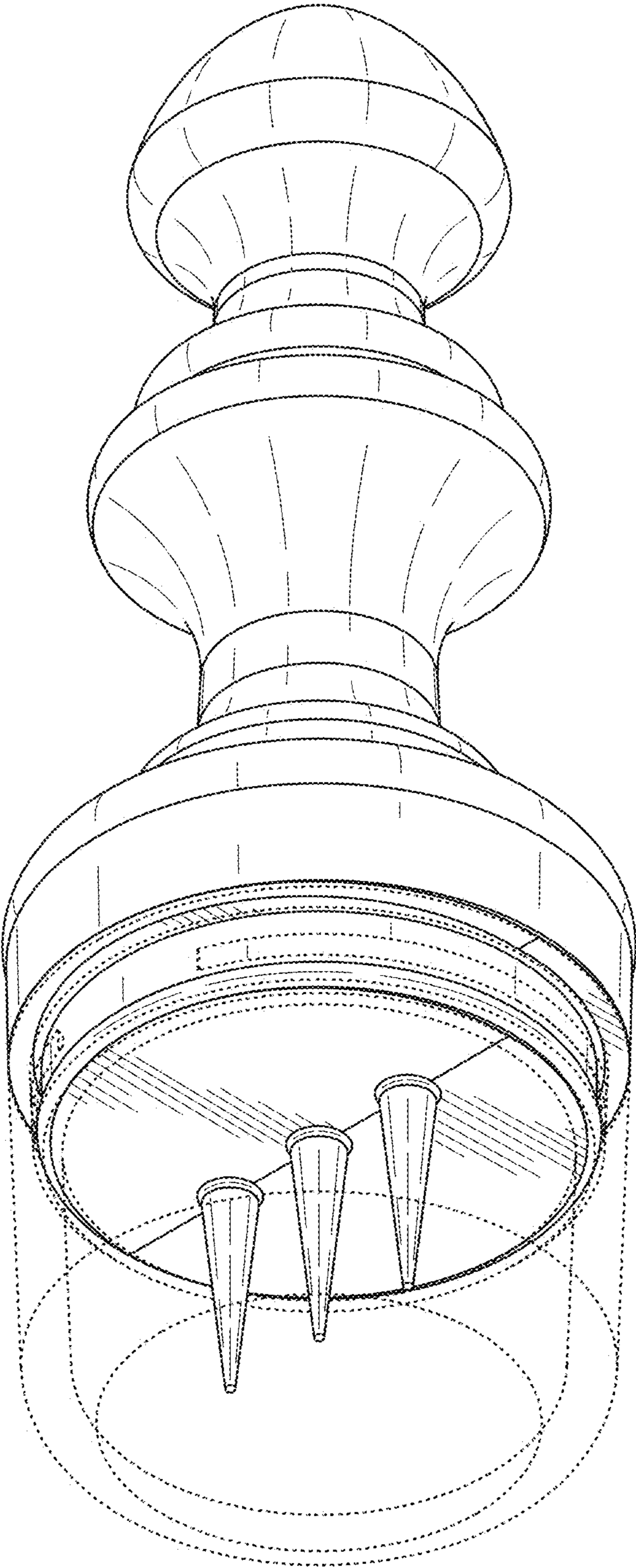


FIG. 9