



US00D877411S

(12) **United States Design Patent** (10) **Patent No.:** **US D877,411 S**
Lanier (45) **Date of Patent:** **** Mar. 3, 2020**

- (54) **CANNABIS TRICHOME EXTRACTOR**
- (71) Applicant: **Ian Lanier**, Stephentown, NY (US)
- (72) Inventor: **Ian Lanier**, Stephentown, NY (US)
- (**) Term: **15 Years**
- (21) Appl. No.: **29/662,465**
- (22) Filed: **Sep. 5, 2018**
- (51) **LOC (12) Cl.** **27-02**
- (52) **U.S. Cl.**
 USPC **D27/172**
- (58) **Field of Classification Search**
 USPC D27/172, 100, 101, 194, 195; D26/90,
 D26/93, 82, 83, 85, 86, 88, 119-124;
 D9/434, 435, 559, 738, 741, 756, 763,
 D9/772; 131/286, 289, 280, 281, 290,
 131/297, 298, 305
 CPC A24B 3/18; A24B 15/241; A24B 15/246;
 A24B 15/26; A24B 15/18
 See application file for complete search history.

(56) **References Cited**

U.S. PATENT DOCUMENTS

- 7,892,327 B2 * 2/2011 Neff A24F 25/02
 165/222
- D697,664 S * 1/2014 Castillo D26/124
- D703,043 S * 4/2014 Kovitz D9/435
- D724,055 S * 3/2015 Tice D14/216
- D737,503 S * 8/2015 Now D27/172
- D798,739 S * 10/2017 Reaux D9/756
- D804,093 S * 11/2017 Chen D27/195
- D835,507 S * 12/2018 Katopis D9/451
- D838,601 S * 1/2019 Katopis D9/658
- D844,892 S * 4/2019 Reaux D27/186

- D855,882 S * 8/2019 Flood D27/194
- 2015/0352044 A1 * 12/2015 Benson A61J 1/1443
 206/205
- 2016/0100715 A1 * 4/2016 Staiano B02C 18/08
 241/79
- 2019/0255178 A1 * 8/2019 Egberg A23L 3/3436

OTHER PUBLICATIONS

[https://www.ebay.com/p/1661554286?iid=151971527937&chn=ps&norover=1&mkevt=1&mkrid=711-117182-37290-\(Dec. 1, 2017\).](https://www.ebay.com/p/1661554286?iid=151971527937&chn=ps&norover=1&mkevt=1&mkrid=711-117182-37290-(Dec. 1, 2017).)*

* cited by examiner

Primary Examiner — Marissa J Cash
Assistant Examiner — Rebecca Tsehaye

(57) **CLAIM**

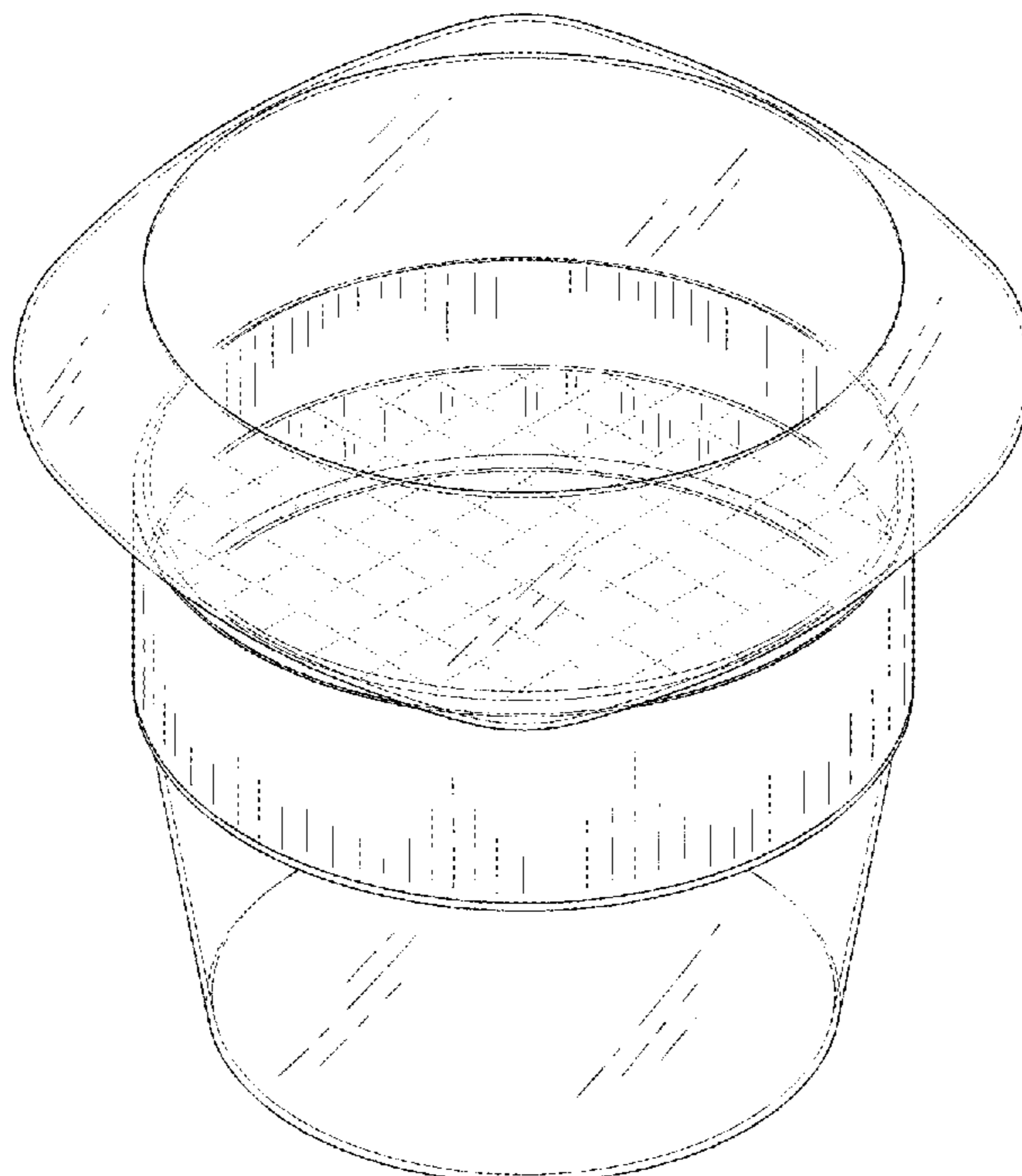
The ornamental design for a cannabis trichome extractor, as shown and described.

DESCRIPTION

FIG. 1 is a top perspective view of a cannabis trichome extractor showing my new design;
 FIG. 2 is a bottom perspective view thereof;
 FIG. 3 is a top exploded perspective view thereof;
 FIG. 4 is a bottom exploded perspective view thereof;
 FIG. 5 is a front elevated view thereof;
 FIG. 6 is a back elevated view thereof;
 FIG. 7 is a top plan view thereof;
 FIG. 8 is a bottom plan view thereof;
 FIG. 9 is a left elevated view thereof; and,
 FIG. 10 is a right elevated view thereof.

The broken lines showing of a screen in FIGS. 1-4 and FIGS. 7-8 are included for the purpose of showing environmental structure and form no part of the claimed design.

1 Claim, 10 Drawing Sheets



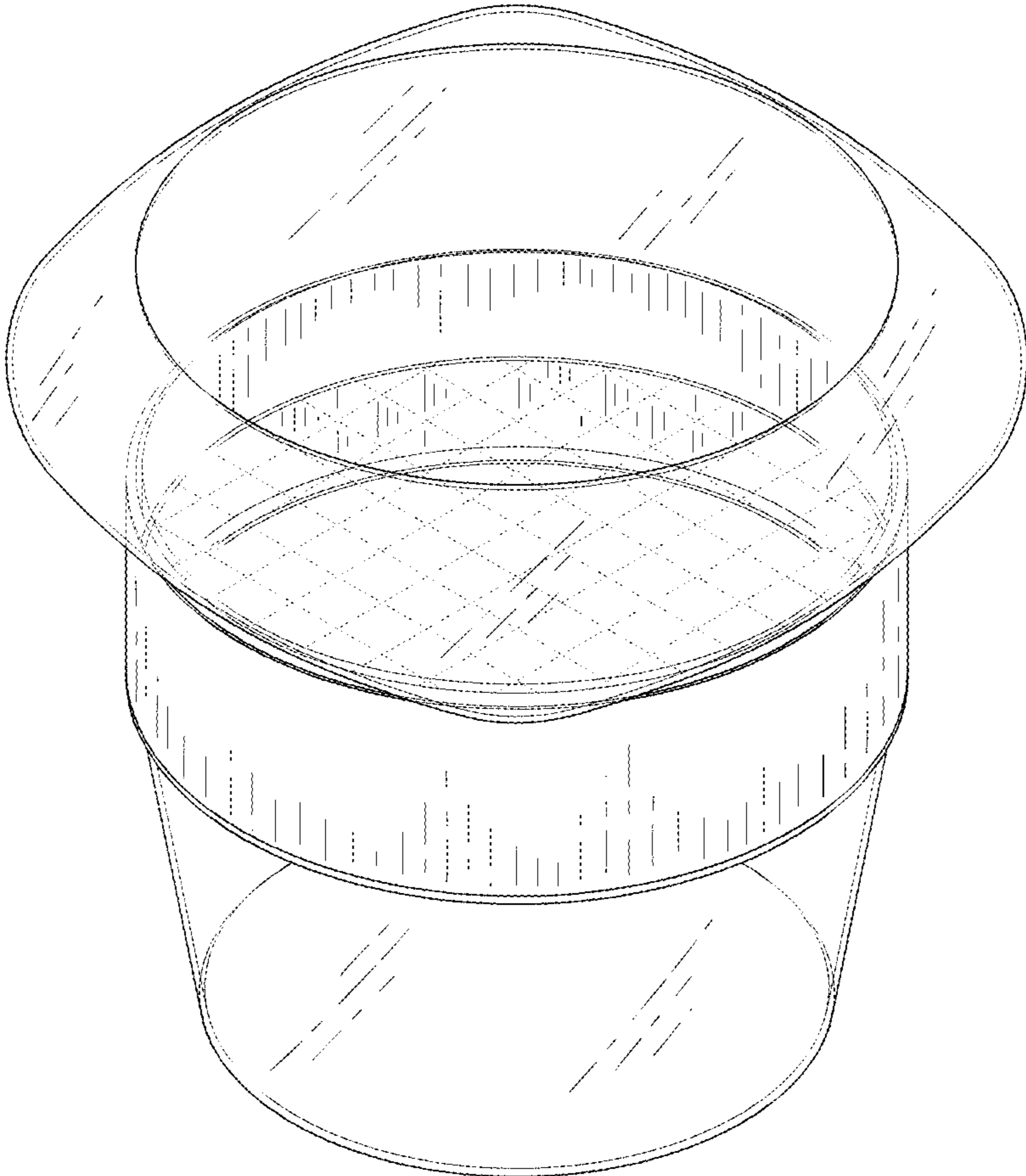


FIG. 1

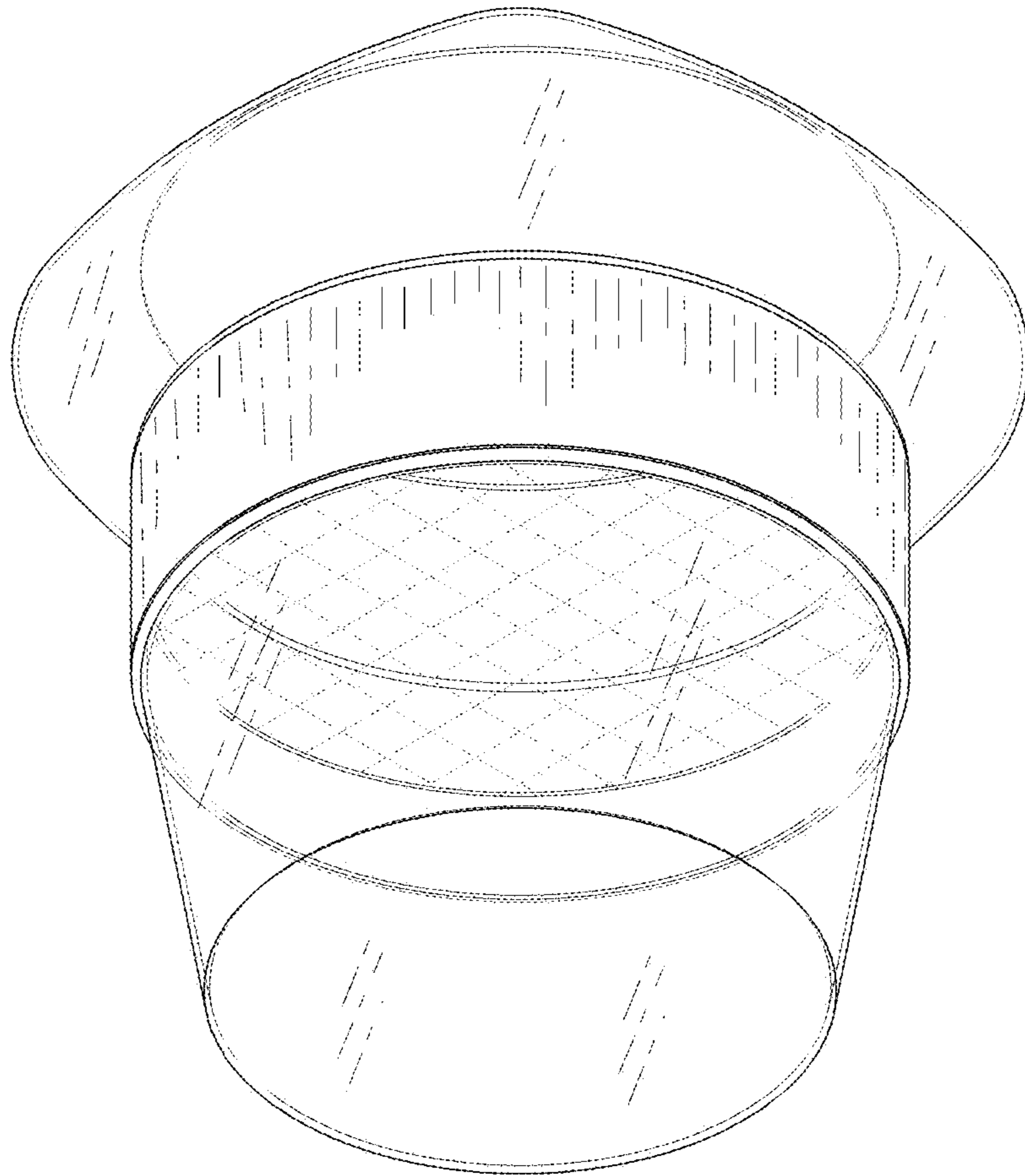


FIG. 2

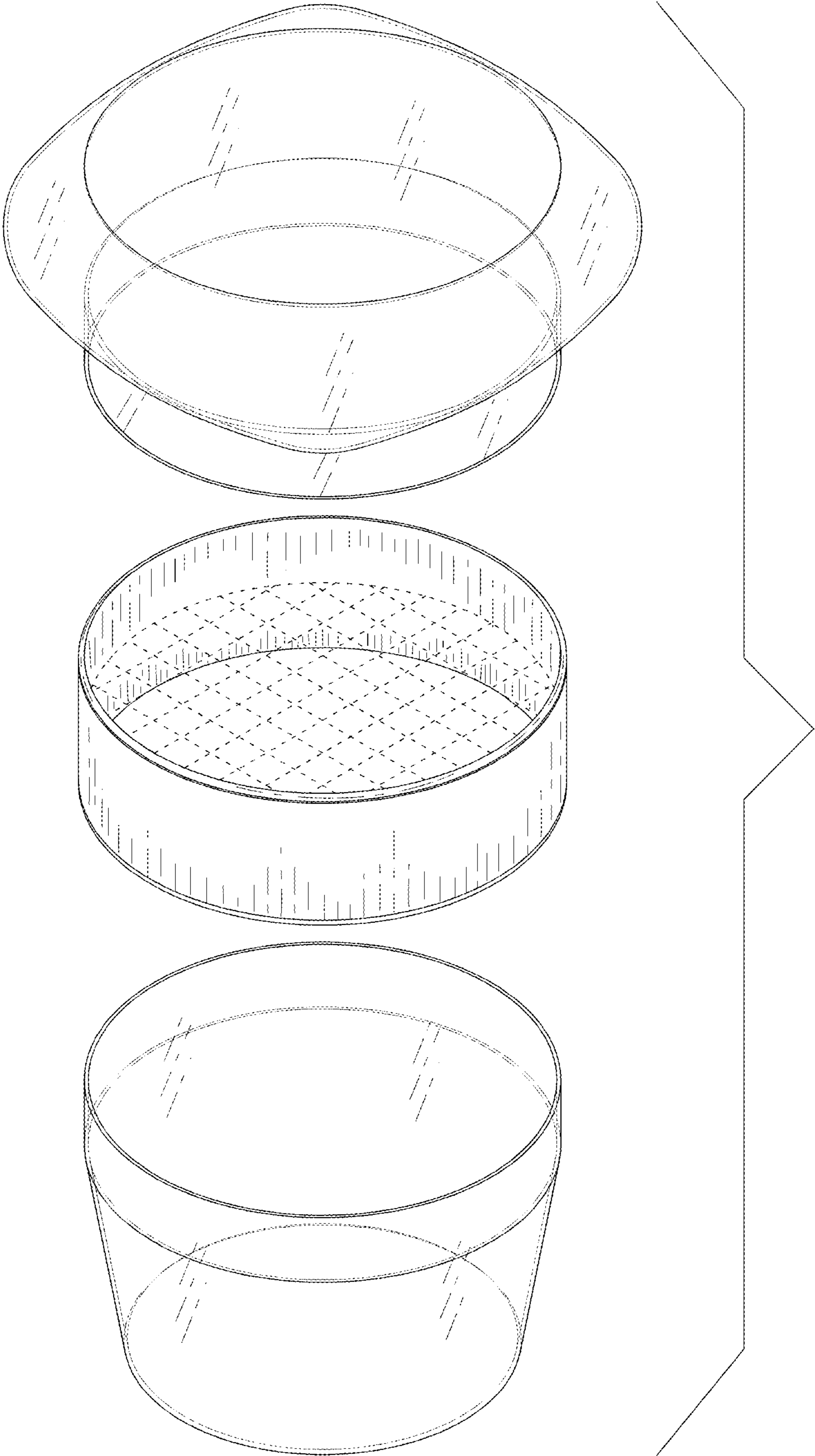


FIG. 3

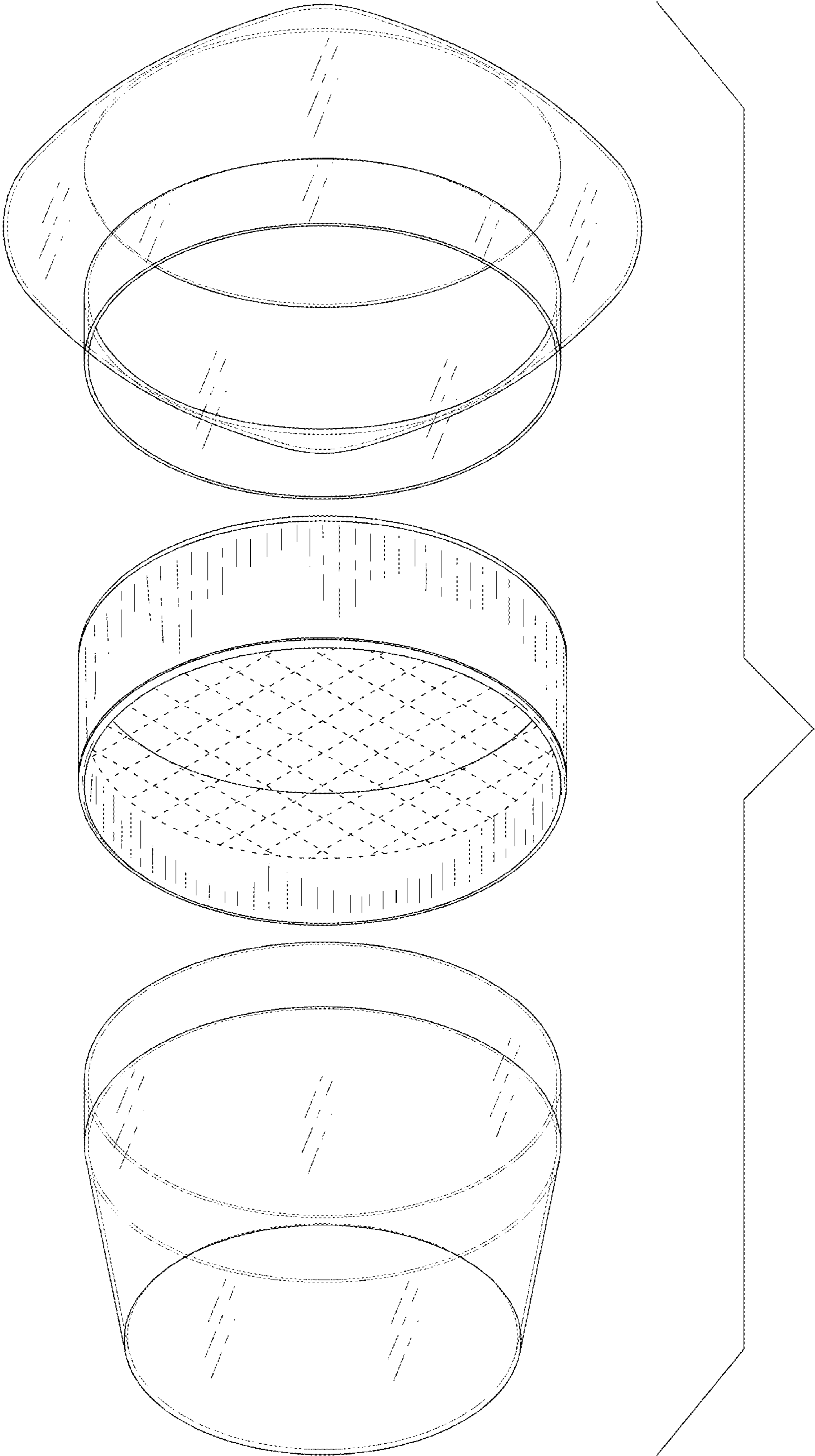


FIG. 4

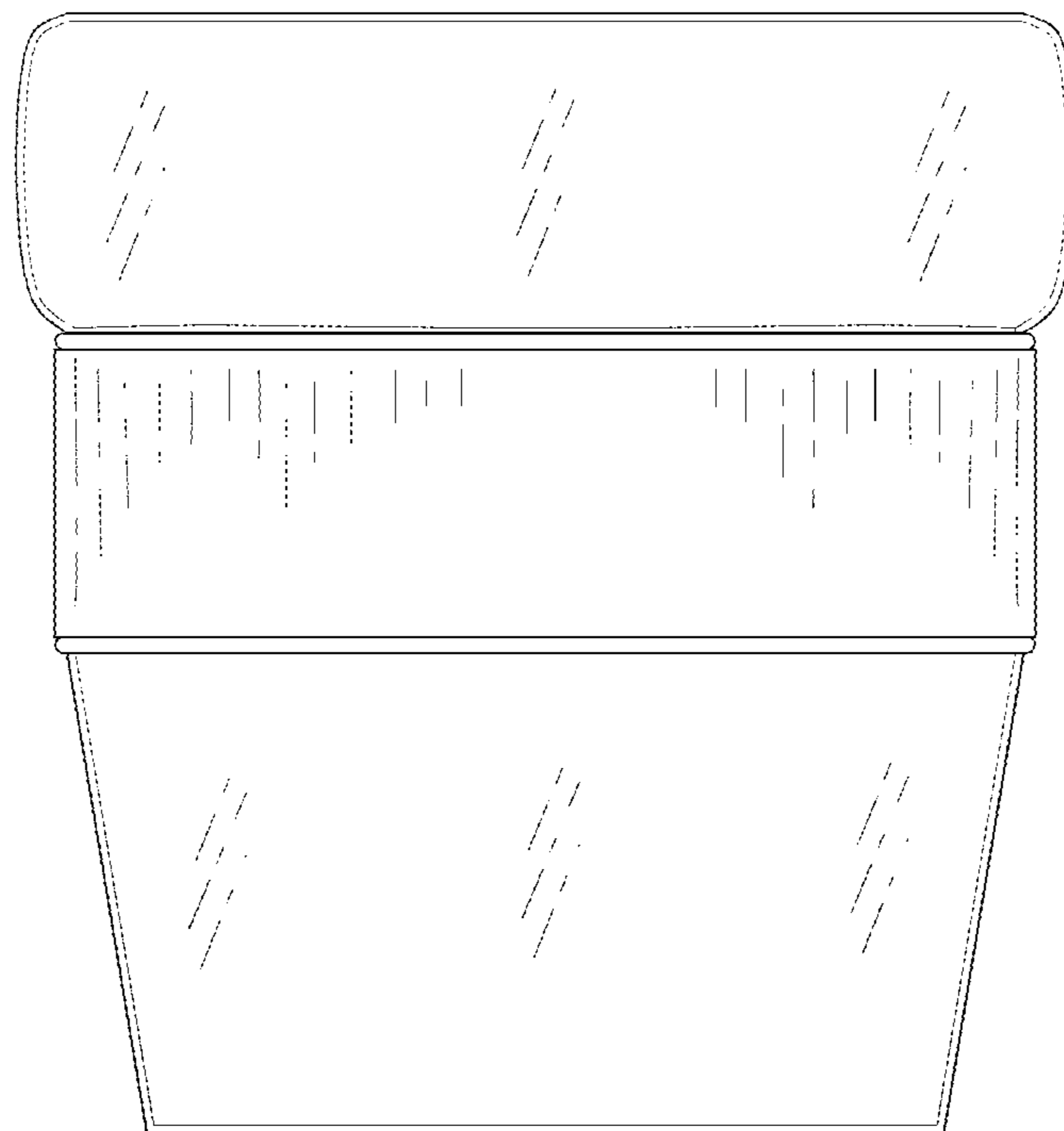


FIG. 5

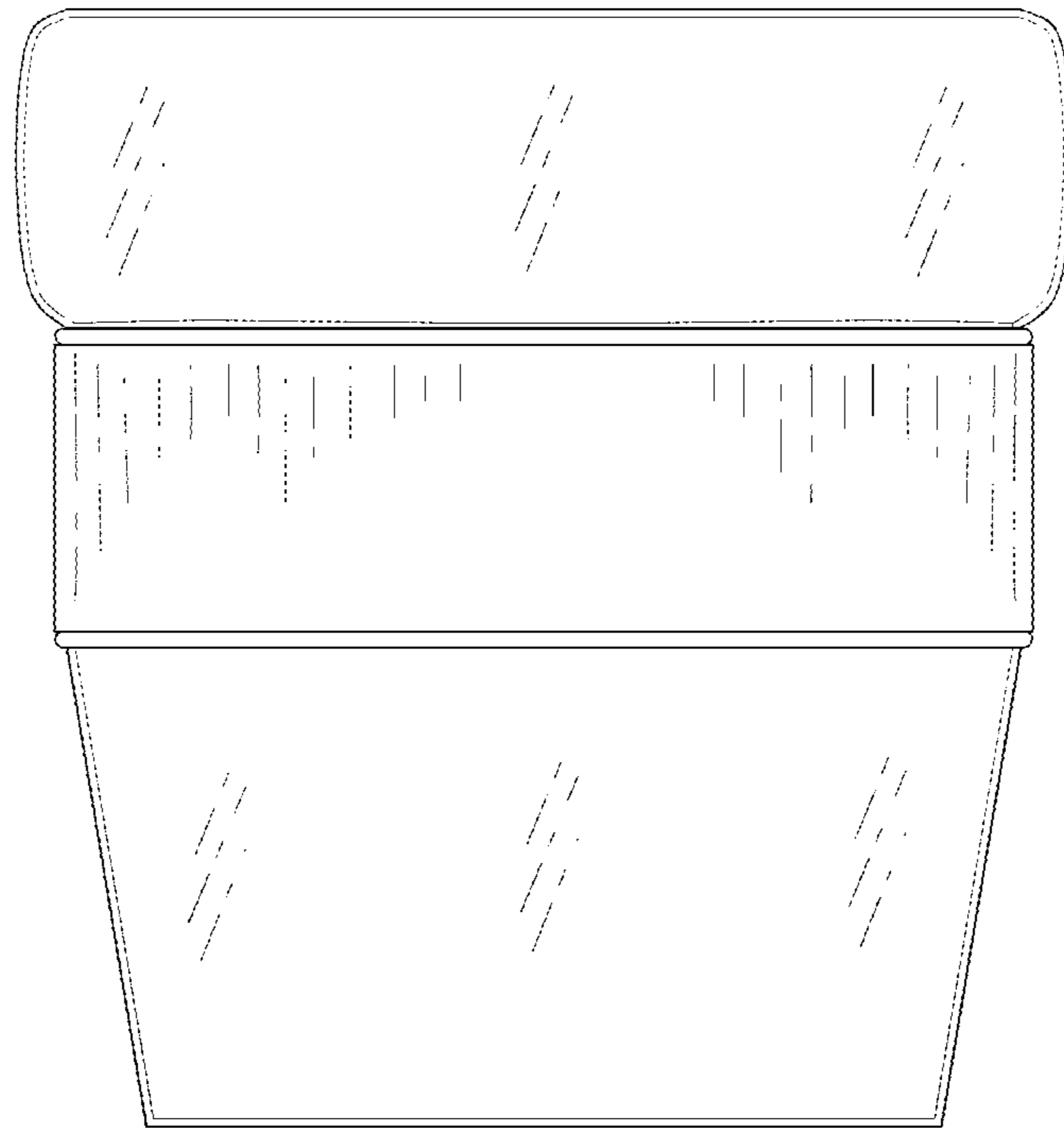


FIG. 6

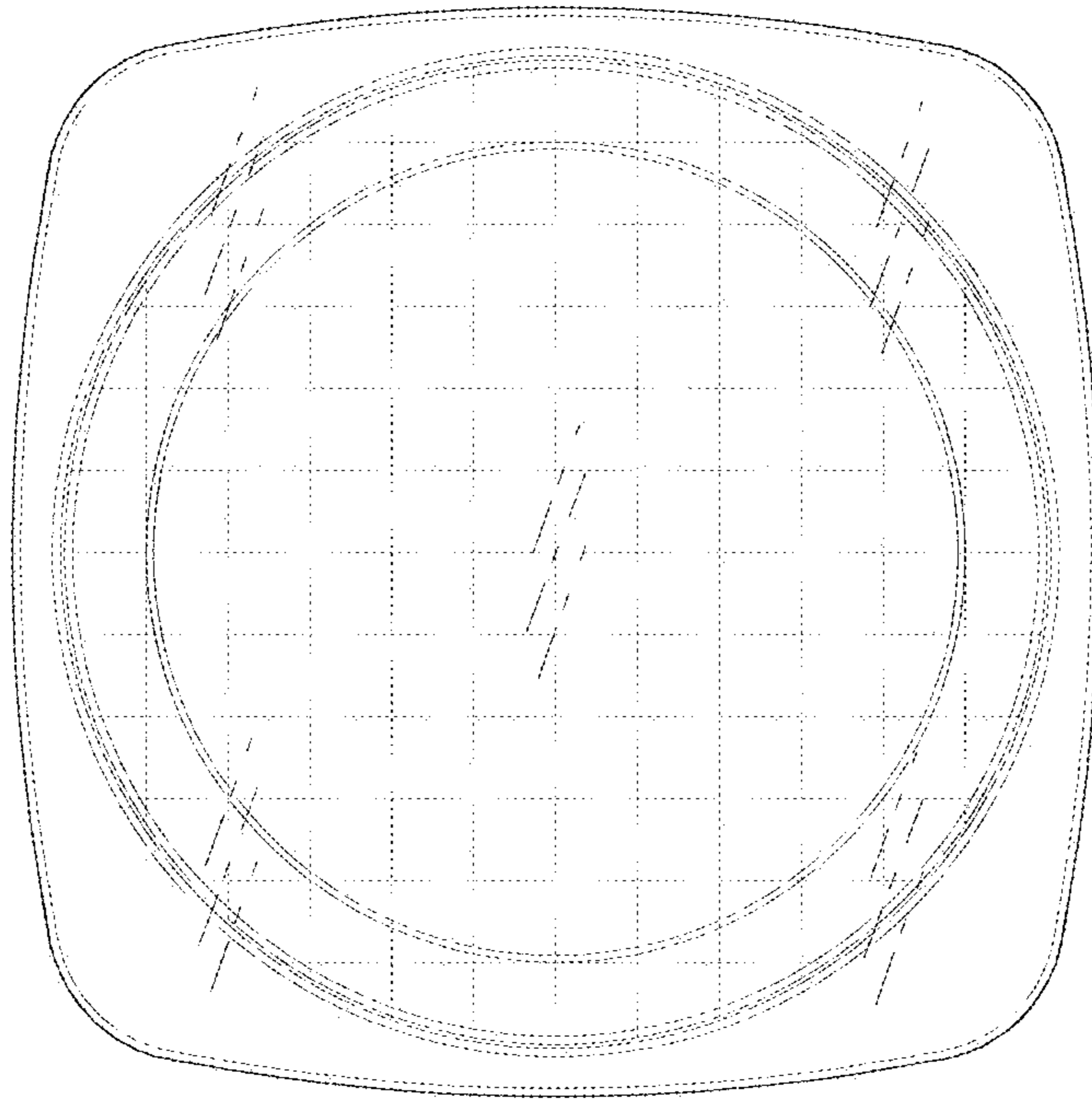


FIG. 7

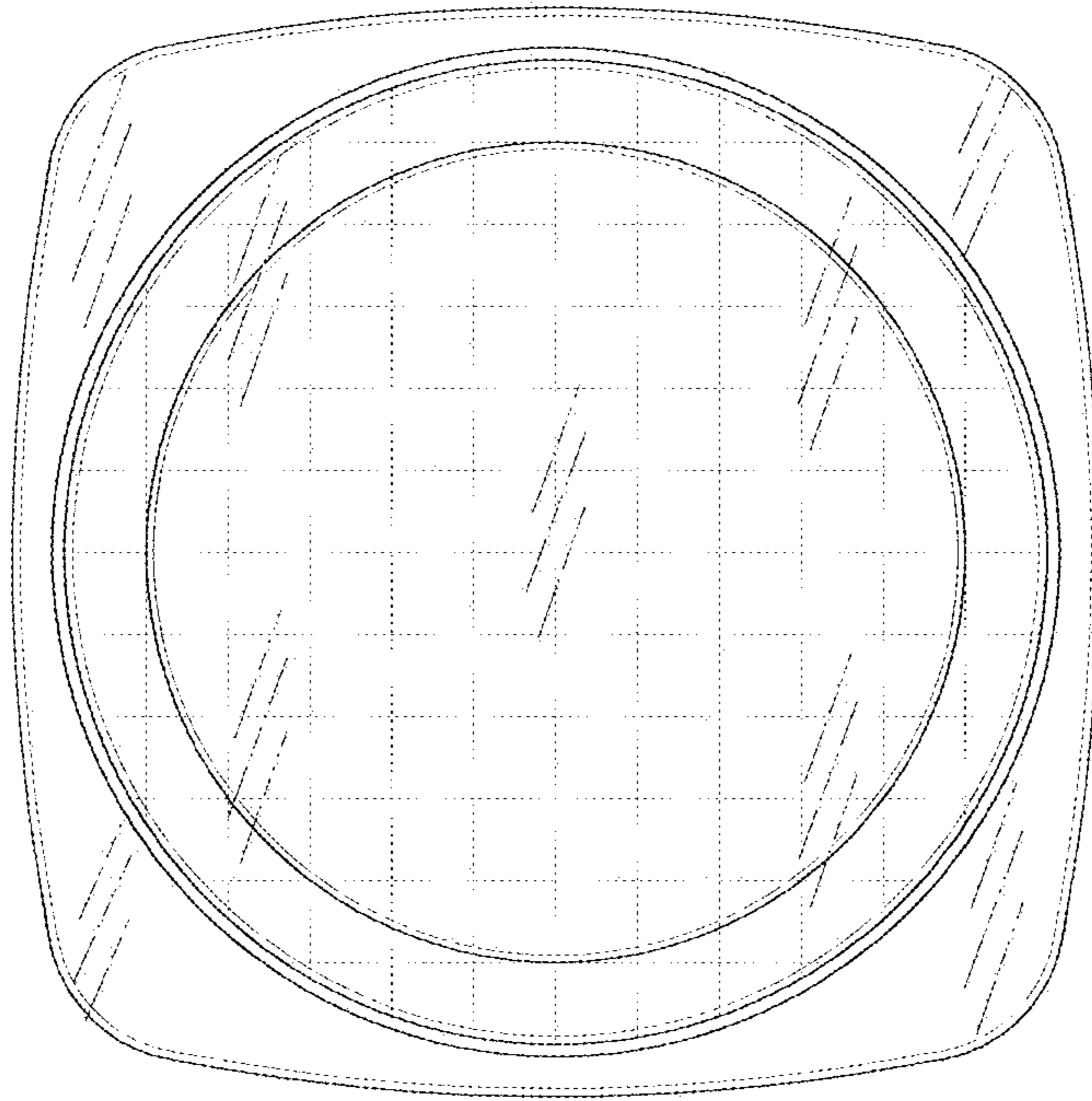


FIG. 8

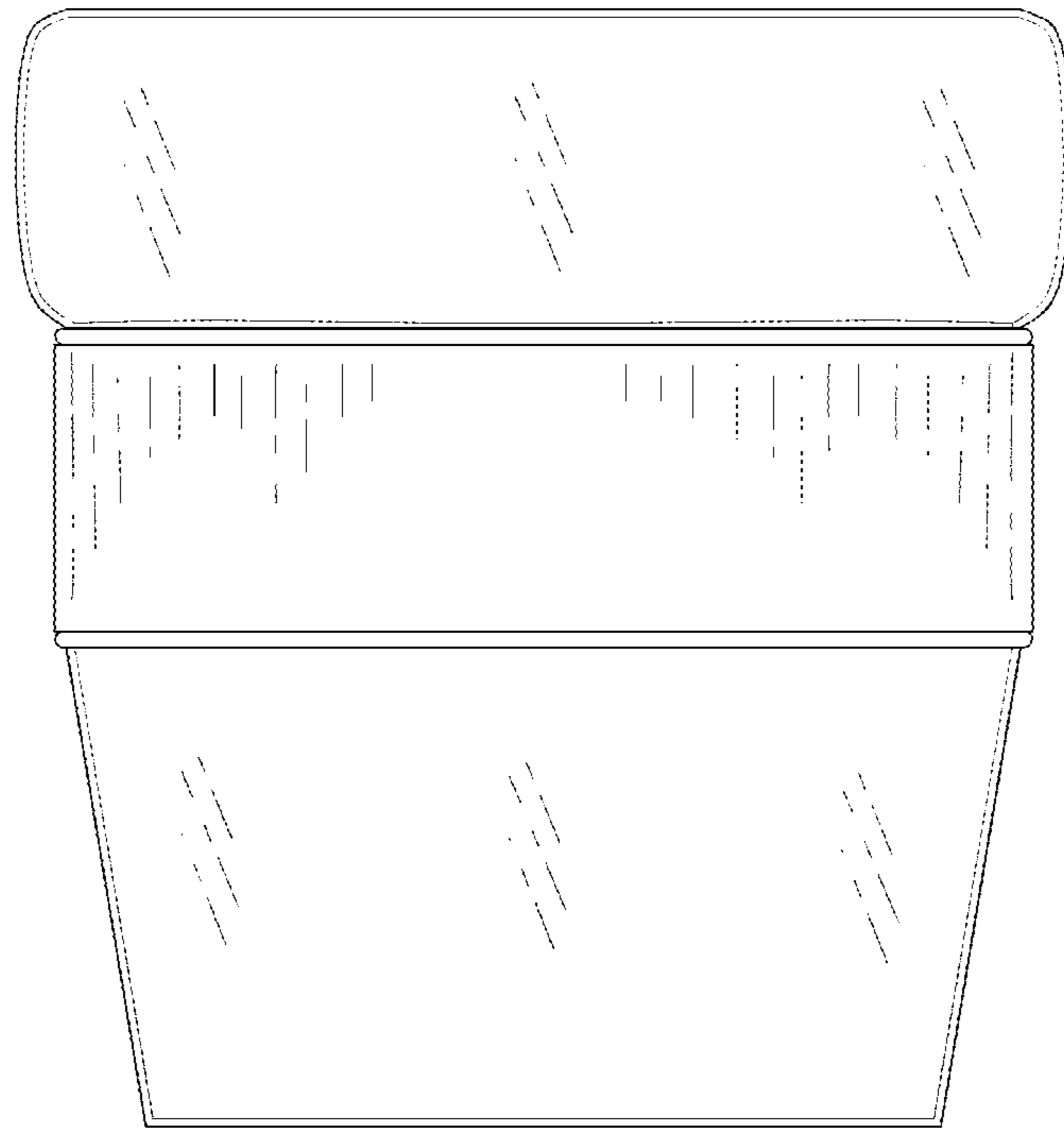


FIG. 9

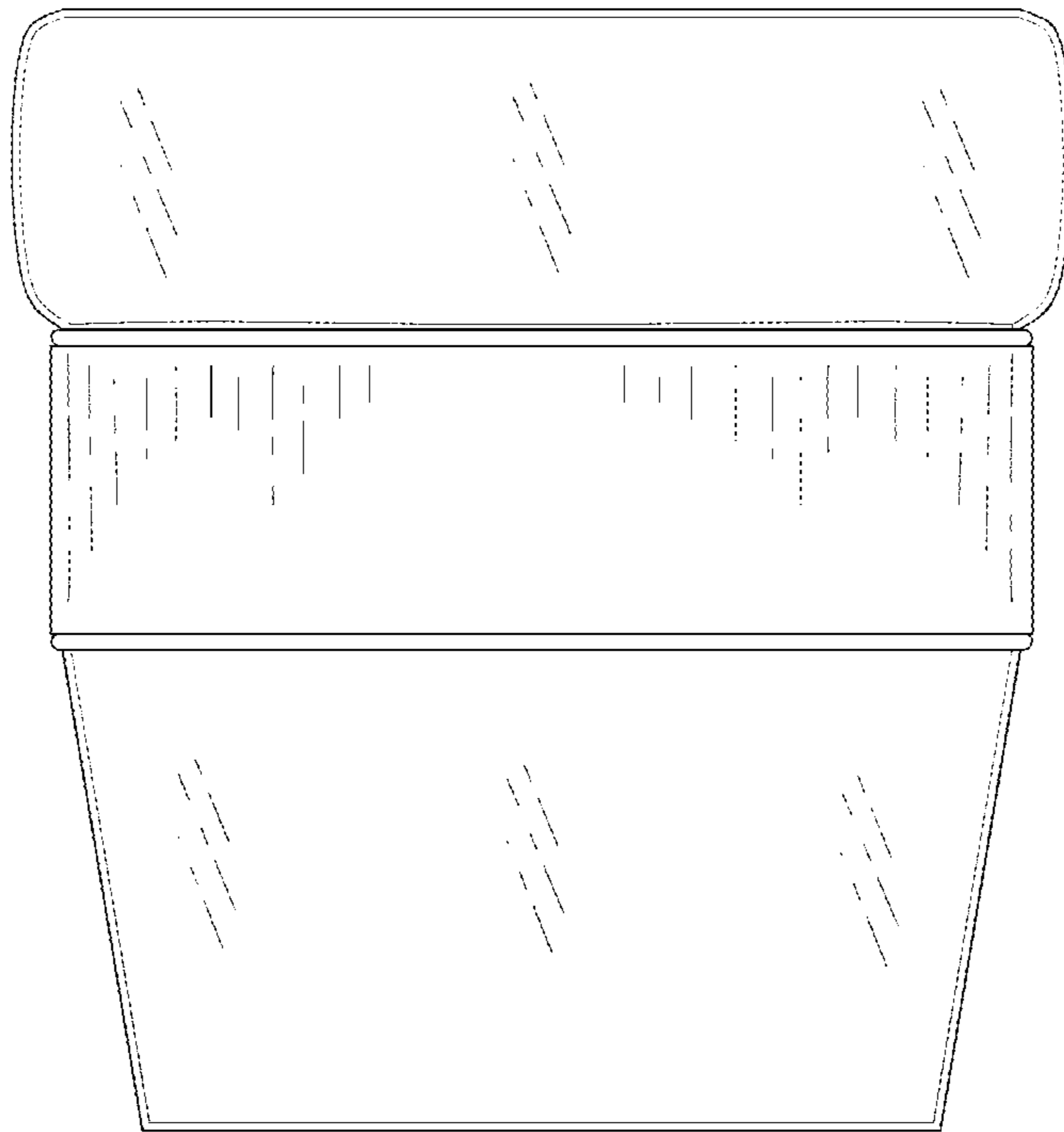


FIG. 10