

US00D877410S

(12) **United States Design Patent** (10) **Patent No.:** **US D877,410 S**  
**Strauss** (45) **Date of Patent:** **\*\* Mar. 3, 2020**

(54) **DISC-SHAPED TOBACCO PIPE**  
(71) Applicant: **Ted Strauss**, Santa Fe, NM (US)  
(72) Inventor: **Ted Strauss**, Santa Fe, NM (US)  
(\*\*) Term: **15 Years**  
(21) Appl. No.: **29/641,773**  
(22) Filed: **Mar. 23, 2018**  
(51) **LOC (12) Cl.** ..... **27-06**  
(52) **U.S. Cl.**  
USPC ..... **D27/163**  
(58) **Field of Classification Search**  
USPC ..... D27/100, 101, 139-161, 162-194;  
D23/366; D7/416; D24/110; D19/101,  
D19/106, 115, 165, 195  
CPC ..... A24F 47/008; A24F 47/002; A24F 7/00;  
A24F 15/12; F23Q 2/164  
See application file for complete search history.

D611,583 S \* 3/2010 Jorgensen ..... D23/366  
D611,588 S \* 3/2010 Jorgensen ..... D23/366  
D621,495 S \* 8/2010 Li ..... D23/366  
D647,193 S \* 10/2011 Kim ..... D23/366  
D672,715 S \* 12/2012 Brunner ..... D13/110  
D676,539 S \* 2/2013 Sanders ..... D23/366  
D689,999 S \* 9/2013 Viala ..... D23/366  
D737,419 S \* 8/2015 Emarlou ..... D23/360  
9,220,299 B2 12/2015 Descamp  
D752,807 S \* 3/2016 Young ..... D23/362  
D758,004 S \* 5/2016 Freshwater ..... D27/163  
D761,408 S \* 7/2016 Kramer ..... D23/366  
D766,417 S \* 9/2016 Lane ..... D23/366  
D768,835 S \* 10/2016 Lane ..... D23/366  
D790,125 S \* 6/2017 Beer ..... D27/101  
D795,414 S \* 8/2017 Soni ..... D24/110

(Continued)

**OTHER PUBLICATIONS**

Khree UFO Preview by Misty News. dated May 15, 2018. found online [Jan. 17, 2019] <https://mistyvapours.com.au/khree-ufo-preview-two-pods-in-a-disc/>.\*

*Primary Examiner* — Marissa J Cash

(74) *Attorney, Agent, or Firm* — Ross Brandborg

(56) **References Cited**

**U.S. PATENT DOCUMENTS**

D158,215 S \* 4/1950 Peterson ..... D27/159  
D197,299 S \* 1/1964 Quercia ..... D27/158  
D289,920 S \* 5/1987 O'Neil, Jr. .... D23/366  
D323,292 S \* 1/1992 Jones ..... D9/424  
D346,876 S \* 5/1994 Cockram ..... D27/156  
D348,327 S \* 6/1994 Ichikawa ..... D27/154  
D348,328 S \* 6/1994 Maruyama ..... D27/157  
D373,993 S \* 9/1996 Kettula ..... D13/107  
D440,351 S \* 4/2001 Chen ..... D27/154  
D466,644 S \* 12/2002 Cohen Harel ..... D27/141  
D518,171 S \* 3/2006 Anderson ..... D24/110  
D522,118 S \* 5/2006 Miro ..... D23/366  
D553,729 S \* 10/2007 Bayly ..... D23/366  
D565,715 S \* 4/2008 Wu ..... D23/366  
D572,406 S \* 7/2008 Masoud ..... D27/161  
D575,384 S \* 8/2008 Huang ..... D23/366  
D579,548 S \* 10/2008 Birath ..... D24/110  
D593,406 S \* 6/2009 Verebelyi ..... D27/189

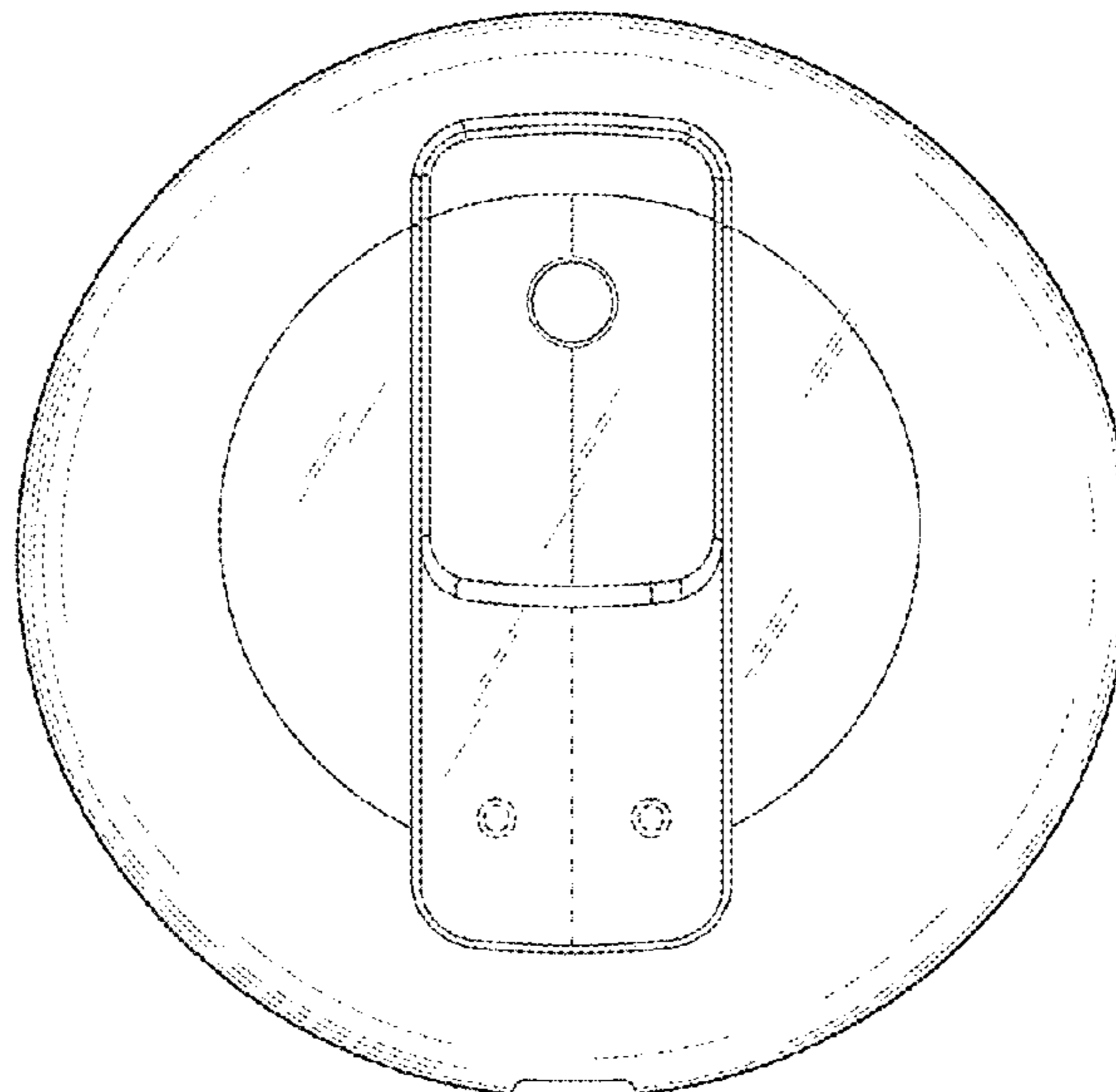
(57) **CLAIM**

I claim the ornamental design for a disc-shaped tobacco pipe.

**DESCRIPTION**

FIG. 1 Top view of disc-shaped tobacco pipe with door shut.  
FIG. 2 Side view of disc-shaped tobacco pipe with door open.  
FIG. 3 Side view of disc-shaped tobacco pipe; and,  
FIG. 4 Bottom view of disc-shaped tobacco pipe.  
The broken lines in the drawings are depicted unclaimed portions of the disc-shaped tobacco pipe that claim no part of the claimed design.

**1 Claim, 4 Drawing Sheets**



(56)

**References Cited**

U.S. PATENT DOCUMENTS

D804,015 S *	11/2017	Lamba .....	D24/110
D807,486 S *	1/2018	Li .....	D23/366
D809,648 S *	2/2018	Ohrt .....	D24/110
D810,263 S *	2/2018	Lu .....	D23/366
D813,366 S *	3/2018	Tang .....	D23/366
D820,514 S *	6/2018	Durand .....	D27/162
D829,981 S *	10/2018	Chen .....	D27/162
D832,504 S *	10/2018	Qiu .....	D27/163
D833,672 S *	11/2018	Qiu .....	D27/163
2011/0271958 A1 *	11/2011	Sawant .....	A61M 15/0045 128/203.21

\* cited by examiner

FIG.1

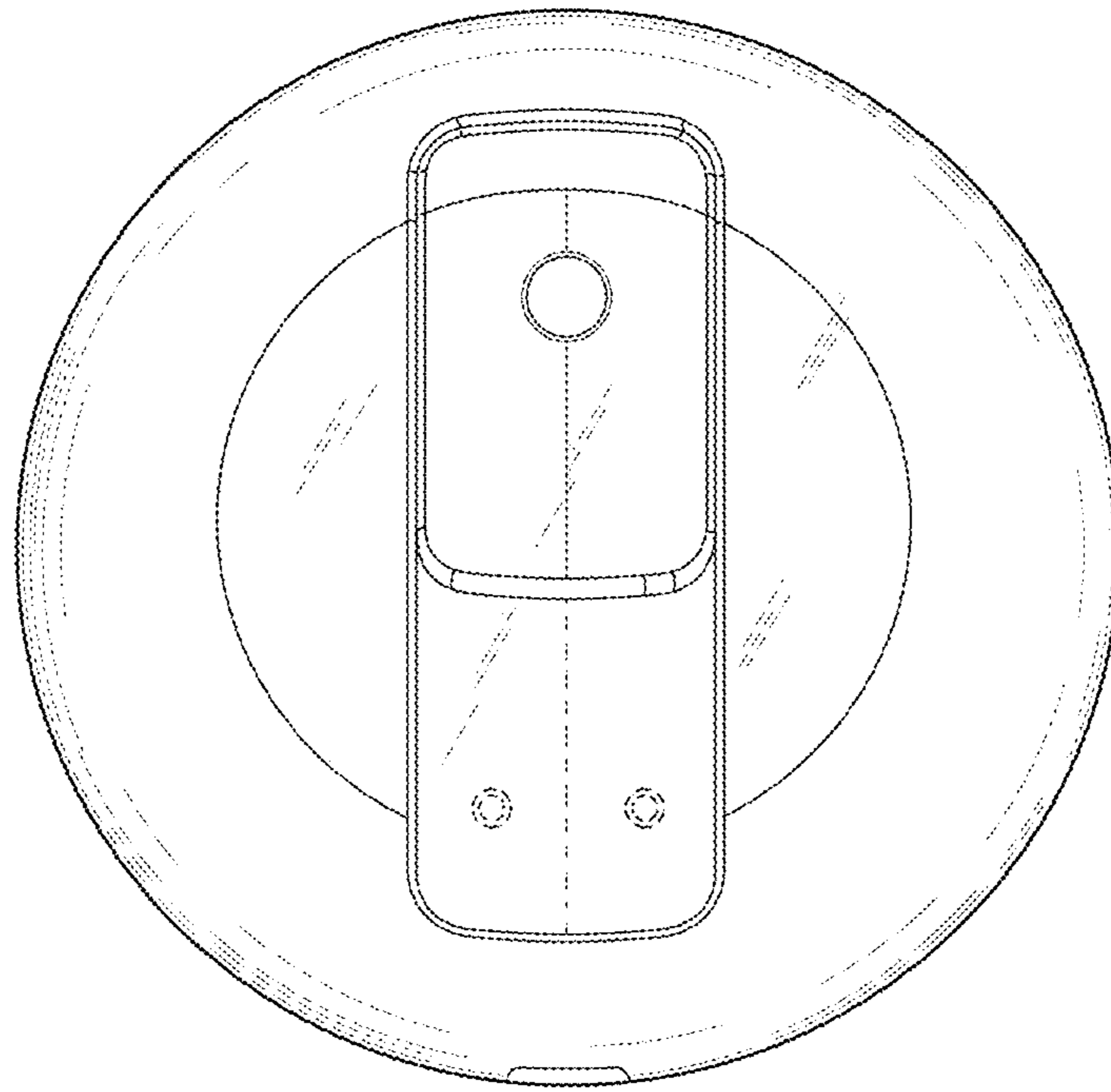


FIG.2

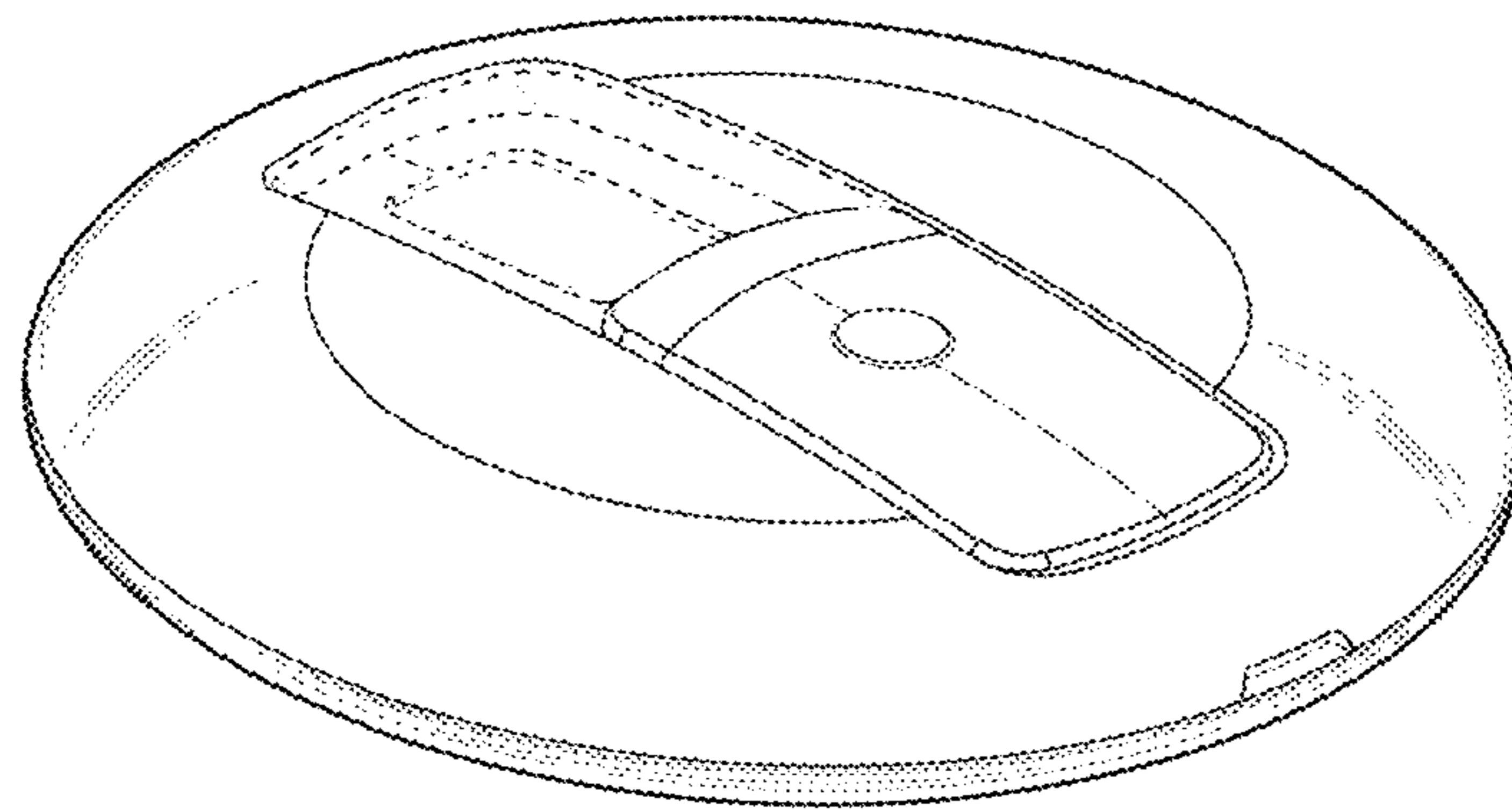


FIG.3

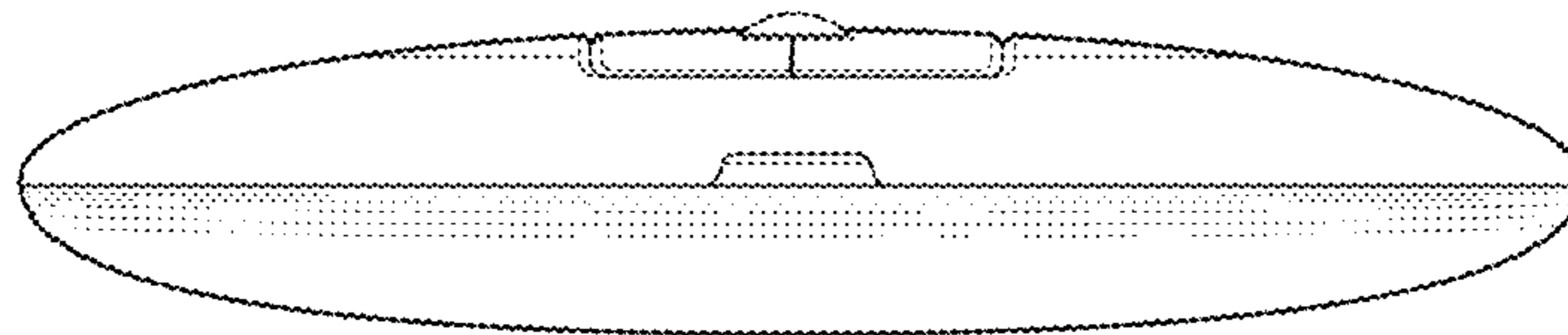


FIG.4

