



US00D877406S

(12) **United States Design Patent**
Browning

(10) **Patent No.:** **US D877,406 S**

(45) **Date of Patent:** **** Mar. 3, 2020**

(54) **LAMP**

(71) Applicant: **RH US, LLC**, Corte Madera, CA (US)

(72) Inventor: **Jonathan Richard Browning**, San Francisco, CA (US)

(73) Assignee: **RH US, LLC**, Corte Madera, CA (US)

(**) Term: **15 Years**

(21) Appl. No.: **29/664,464**

(22) Filed: **Sep. 25, 2018**

(51) **LOC (12) Cl.** **26-99**

(52) **U.S. Cl.**
USPC **D26/154**

(58) **Field of Classification Search**
USPC D26/72, 81-86, 88-91, 138, 142, 152,
D26/153, 154
CPC F21S 8/04; F21S 8/043; F21S 8/046; F21S
8/06; F21S 8/061; F21S 8/063; F21S
8/065

See application file for complete search history.

(56) **References Cited**

U.S. PATENT DOCUMENTS

D3,852 S *	2/1870	Letchworth	D26/135
248,424 A *	10/1881	Edison	F21S 8/065
				362/241
D29,366 S *	9/1898	MacIntire	D26/88
D35,908 S *	5/1902	Jamison	D26/81
D70,145 S *	5/1926	Villaret	D26/154
D154,302 S *	6/1949	Palmquist	D26/88
D202,804 S *	11/1965	Bushcott	D26/135
D362,323 S *	9/1995	Kay	D26/140
D438,664 S *	3/2001	Lewis	D26/86
D441,127 S *	4/2001	Hoffbauer	D26/135
D467,677 S *	12/2002	Ries	D26/88
D473,970 S *	4/2003	Johnson	D26/138
D518,914 S *	4/2006	Brunner	D26/142

D558,389 S *	12/2007	Chandler	D26/142
D575,440 S *	8/2008	Pelzl	D26/88
D588,298 S *	3/2009	Sabernig	D26/88
D641,096 S *	7/2011	Markle	D26/88
D660,504 S *	5/2012	Martin	D26/136
D715,986 S *	10/2014	Anastassiades	D26/88
D801,576 S *	10/2017	Sonneman	D26/138
D863,649 S *	10/2019	Wellens	F21S 8/065
				D26/88

OTHER PUBLICATIONS

Cast 1 Pendant Light by Thomas Chung & Jordan Murphy, from Menu. website visited Nov. 25, 2019. <<https://www.ylighting.com/cast-1-pendant-light-by-menu-MENP200864.html>> (Year: 2019).*

(Continued)

Primary Examiner — Clare E Heflin

(74) *Attorney, Agent, or Firm* — Lewis Roca Rothgerber Christie LLP

(57) **CLAIM**

The ornamental design for the lamp, as shown and described.

DESCRIPTION

FIG. 1 is a front and lower left perspective view of a lamp according to the present invention;

FIG. 2 is a front and upper right perspective view of the lamp of FIG. 1;

FIG. 3 is a front elevational view of the lamp of FIG. 1, the rear view being a mirror image;

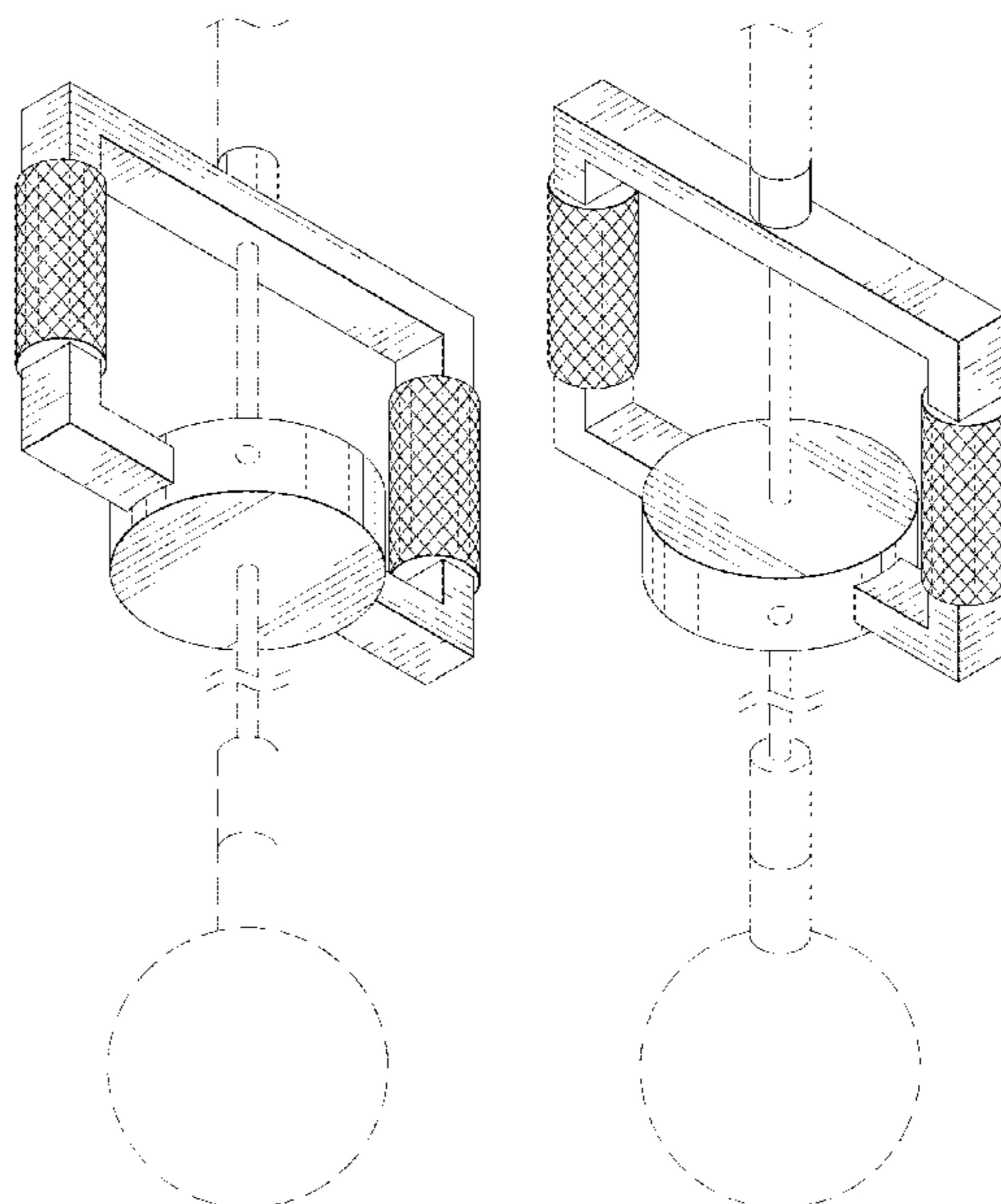
FIG. 4 is a side elevational view of the lamp of FIG. 1, the right and left views being mirror images of one another;

FIG. 5 is a top plan view of the lamp of FIG. 1; and,

FIG. 6 is a bottom plan view of the lamp of FIG. 1.

The broken lines shown on the drawings depict portions of the lamp that form no part of the claimed design.

1 Claim, 3 Drawing Sheets



(56)

References Cited

OTHER PUBLICATIONS

PLAZA 4-Light Pendant Chandelier from Signature Hardware, website visited Dec. 19, 2019. (Year: 2019).*

Allen + roth Vallymede Aged Bronze Multi-Light Transitional Clear Glass Jar Pendant Light from lowes.com, visited Dec. 19, 2019. (Year: 2019).*

Hailey Home Orion Industrial Metal and Glass Pendant in Blackened Bronze from lowes.com, visited Dec. 19, 2019. (Year: 2019).*

* cited by examiner

FIG. 1

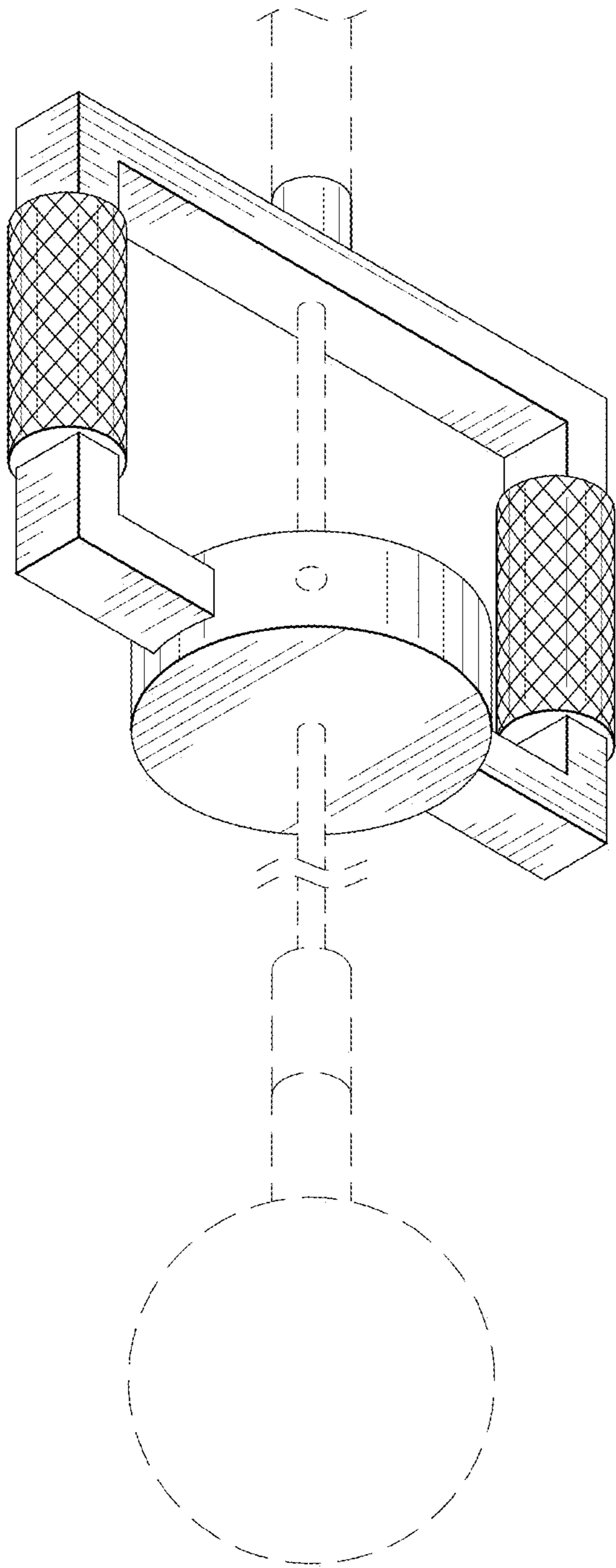


FIG. 2

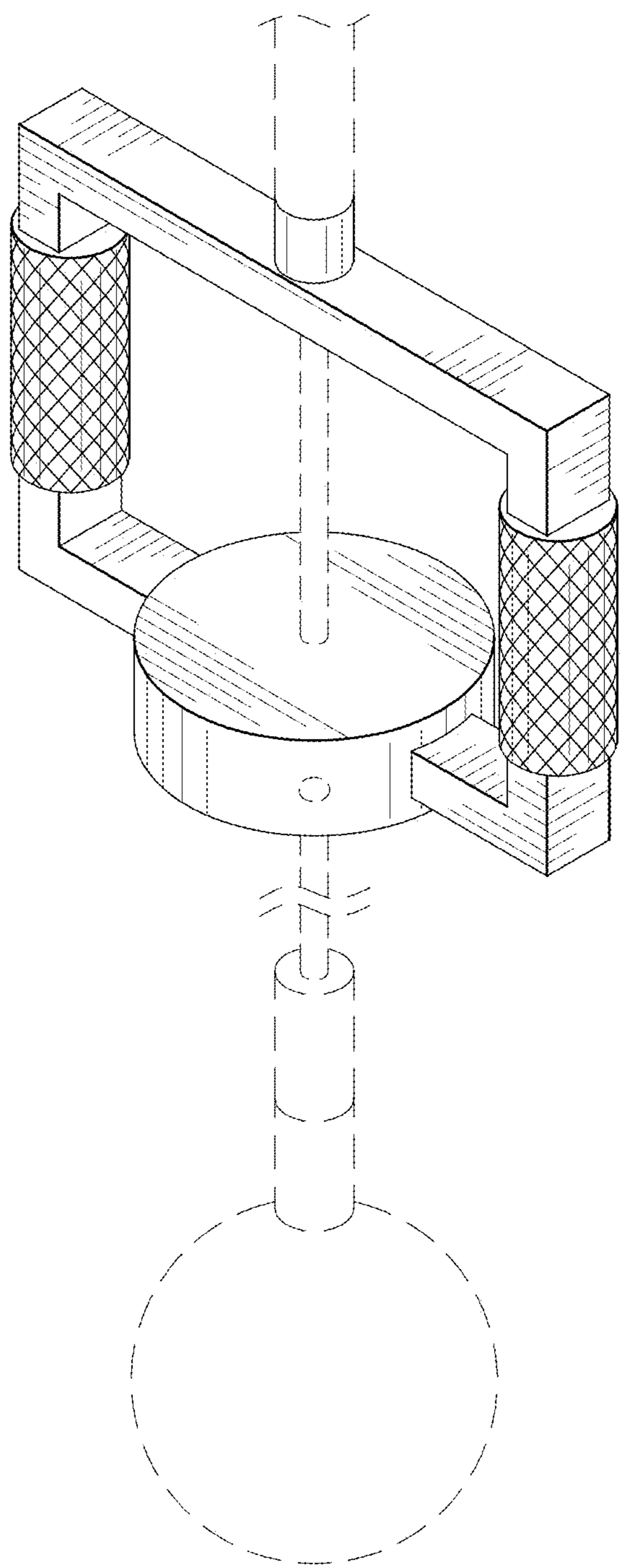


FIG. 3

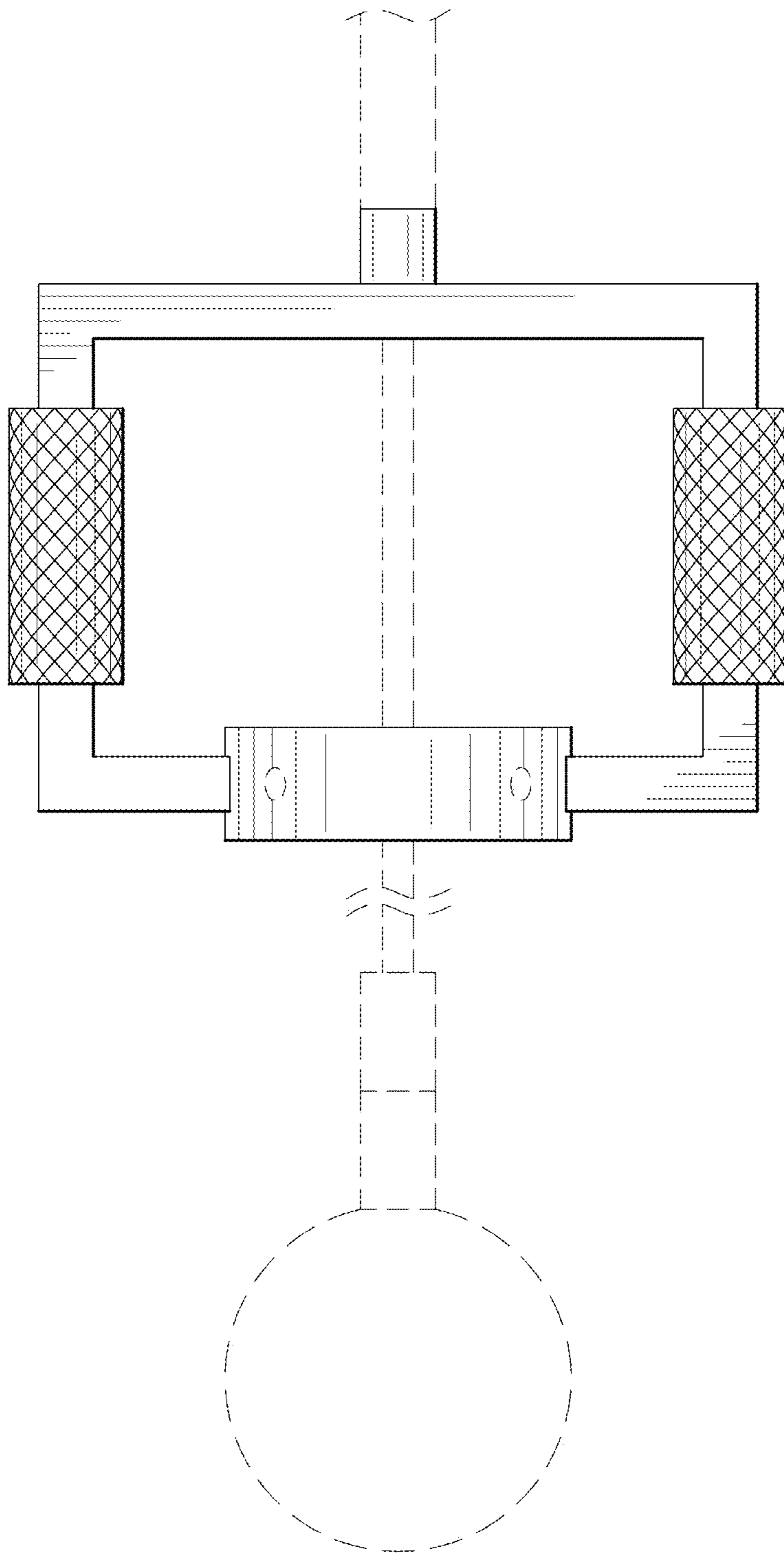


FIG. 4

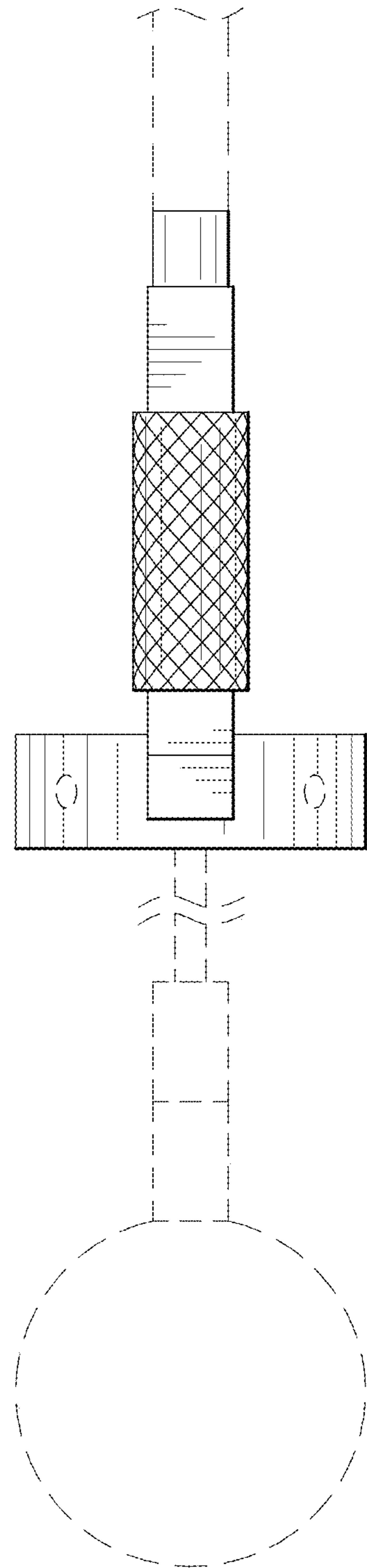


FIG. 5

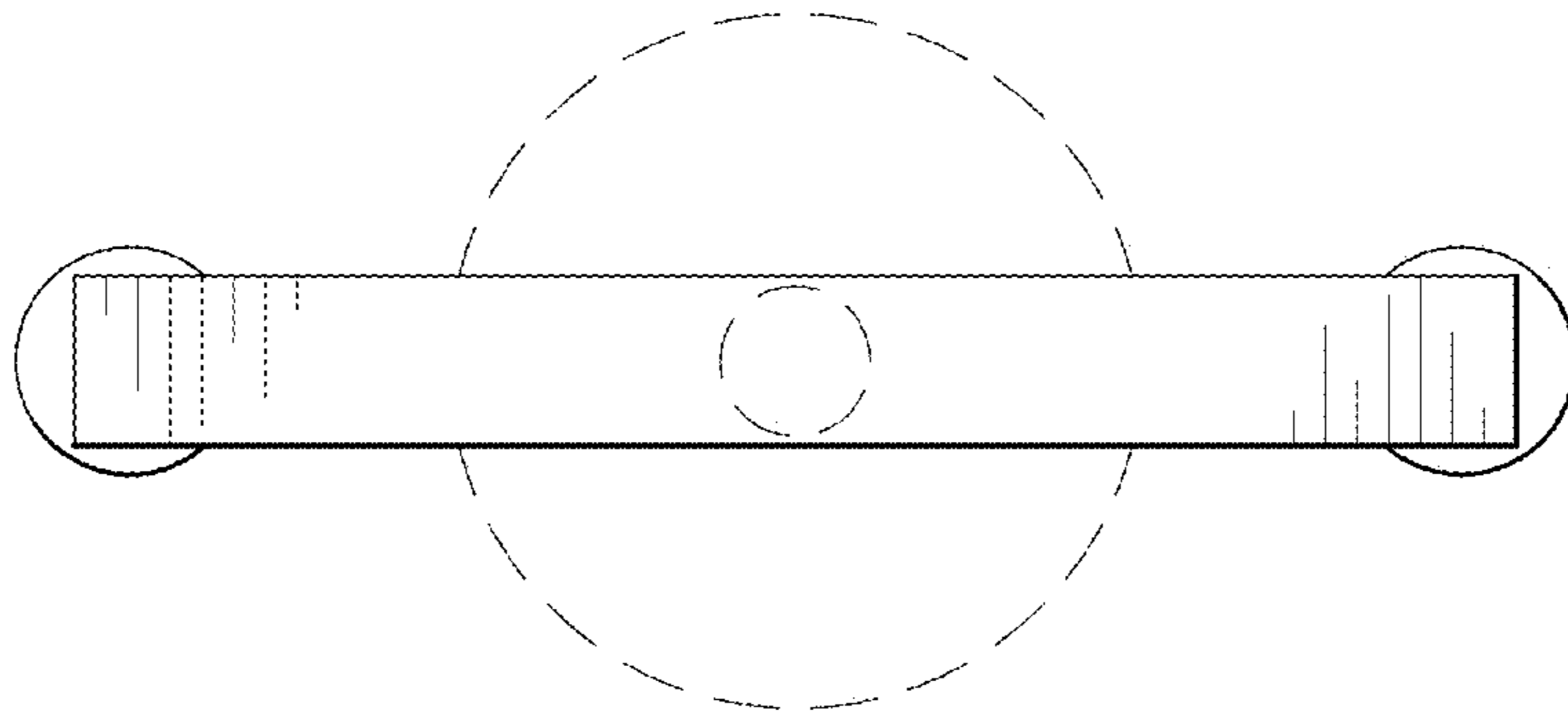


FIG. 6

