



US00D877405S

(12) **United States Design Patent**
Kang

(10) **Patent No.:** **US D877,405 S**
(45) **Date of Patent:** **** Mar. 3, 2020**

- (54) **LAMP**
- (71) Applicant: **Williams-Sonoma, Inc.**, San Francisco, CA (US)
- (72) Inventor: **Julie Kang**, Edgewater, NJ (US)
- (73) Assignee: **Williams-Sonoma, Inc.**, San Francisco, CA (US)
- (**) Term: **15 Years**
- (21) Appl. No.: **29/660,740**
- (22) Filed: **Aug. 22, 2018**
- (51) **LOC (12) Cl.** **26-05**
- (52) **U.S. Cl.**
USPC **D26/142**
- (58) **Field of Classification Search**
USPC D26/2, 28, 72, 89, 113, 118, 119, 120, D26/122, 142, 138
CPC F41C 27/00; F41C 33/0254; G02B 5/045; G02B 5/189; F21S 8/00; F21S 8/03; F21S 8/026; F21S 8/02; F21S 8/003; F21S 8/043; F21S 8/06; F21S 8/04; F21V 7/005; F21V 15/01; F21V 15/04; F21V 25/00; G02F 2001/133607; F21Y 2103/00
See application file for complete search history.

- 3,170,634 A * 2/1965 Harling F21S 8/088 362/223
- D407,842 S * 4/1999 Landefeld D26/63
- D481,158 S * 10/2003 Cline D26/138
- D481,159 S * 10/2003 Walker D26/138
- D487,600 S * 3/2004 Fickas D26/138
- D537,556 S * 2/2007 Summerford D26/142
- D553,779 S * 10/2007 Butler D26/67
- D585,590 S * 1/2009 Summerford D26/141
- D592,351 S * 5/2009 Kinnune D26/155
- 7,841,734 B2 * 11/2010 Wilcox F21S 8/081 362/153
- D650,519 S * 12/2011 Maxik D26/142
- D786,467 S * 5/2017 Wan D26/67

* cited by examiner

Primary Examiner — Mark A Goodwin
Assistant Examiner — Benjamin M Weeks
(74) *Attorney, Agent, or Firm* — Cook Alex Ltd.; R. Blake Johnston

(57) **CLAIM**

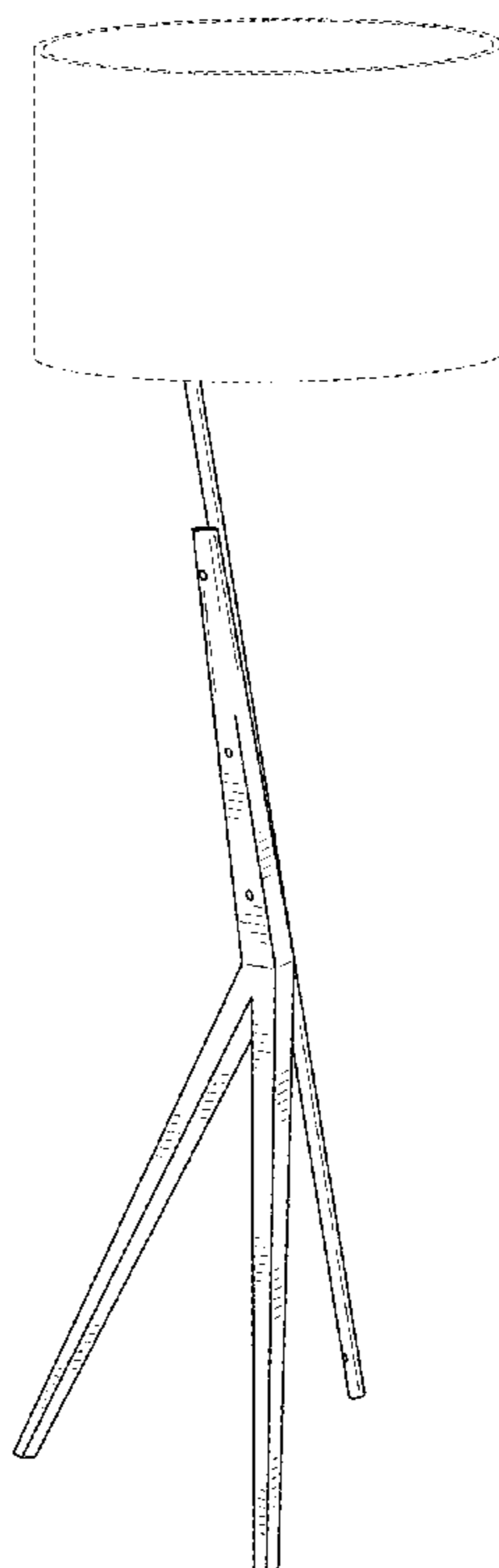
The ornamental design for a lamp, as shown and described.

DESCRIPTION

FIG. 1 is a perspective view of the lamp; FIG. 2 is a right side elevational view of the lamp, the opposite side of which is a mirror image; FIG. 3 is a front elevational view of the lamp; FIG. 4 is a rear elevational view of the lamp; FIG. 5 is a top plan view of the lamp; and, FIG. 6 is a bottom plan view of the lamp. The broken lines represent portions of the lamp that form no part of the claimed design.

1 Claim, 5 Drawing Sheets

- (56) **References Cited**
U.S. PATENT DOCUMENTS
D191,128 S * 8/1961 Curtin D26/67
3,156,418 A * 11/1964 Jablonski F21S 8/088 52/28



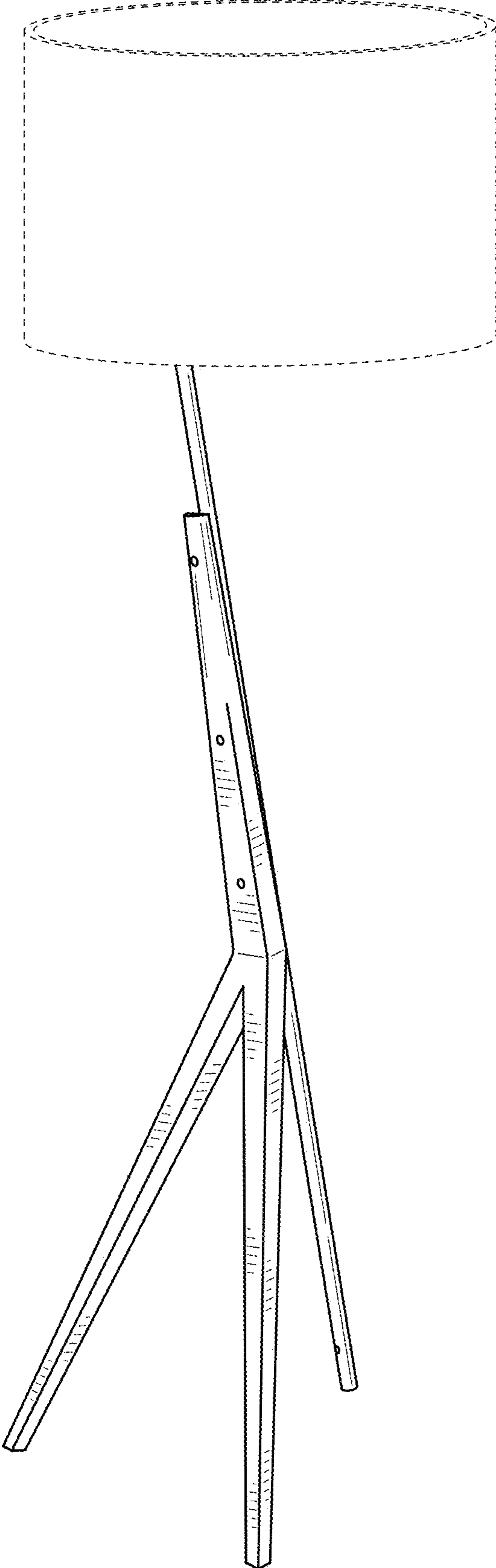


FIG. 1

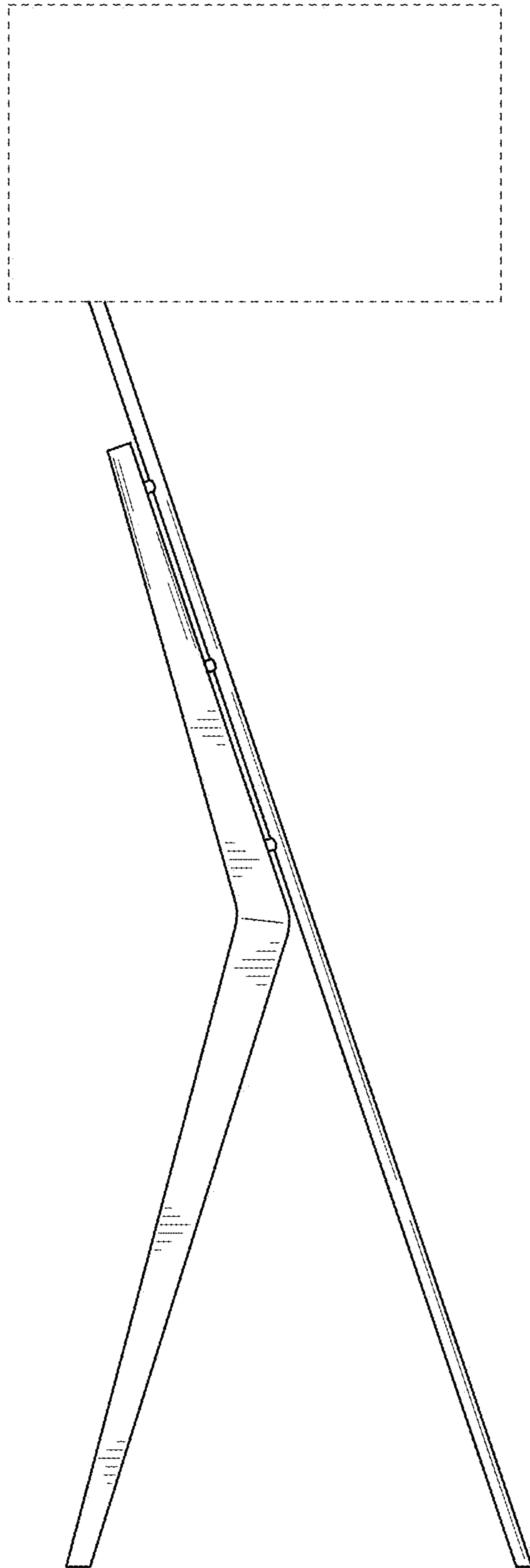


FIG. 2

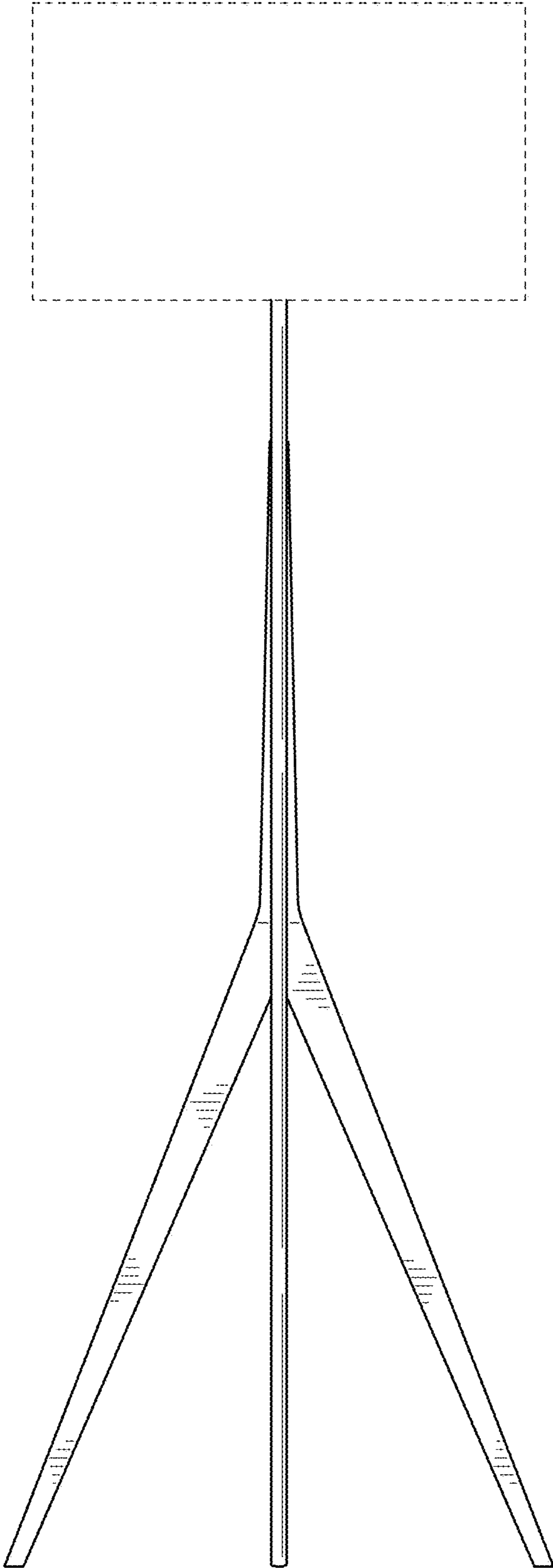


FIG. 3

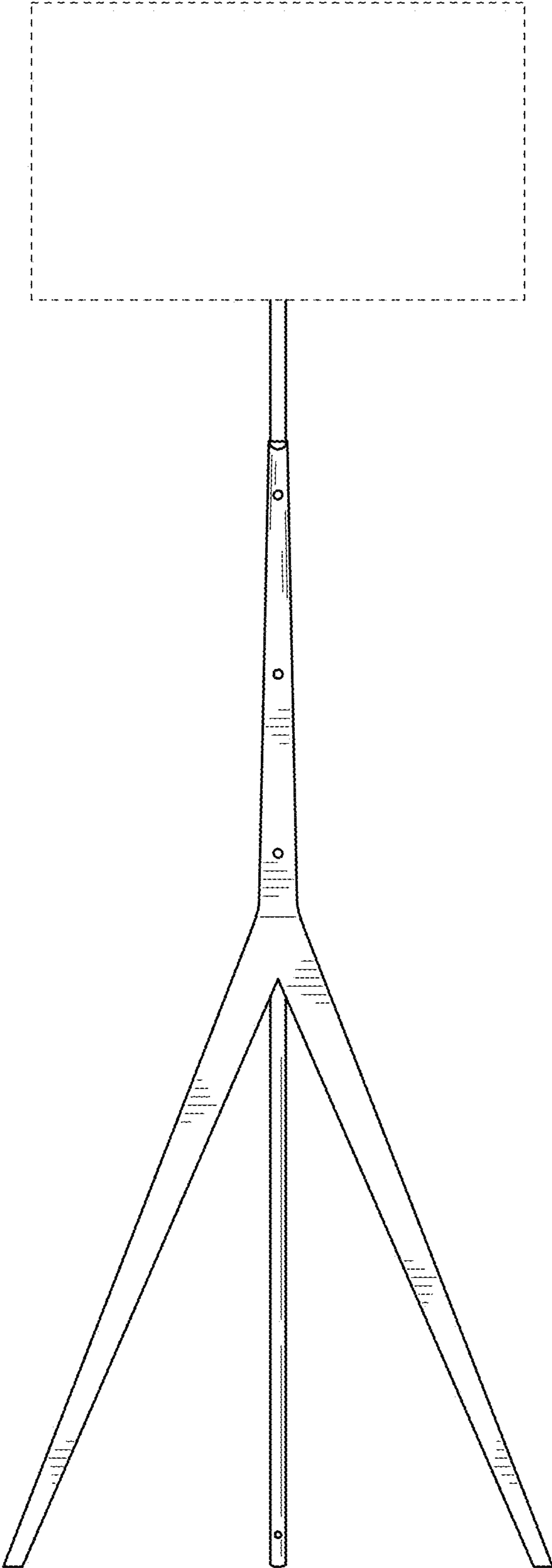


FIG. 4

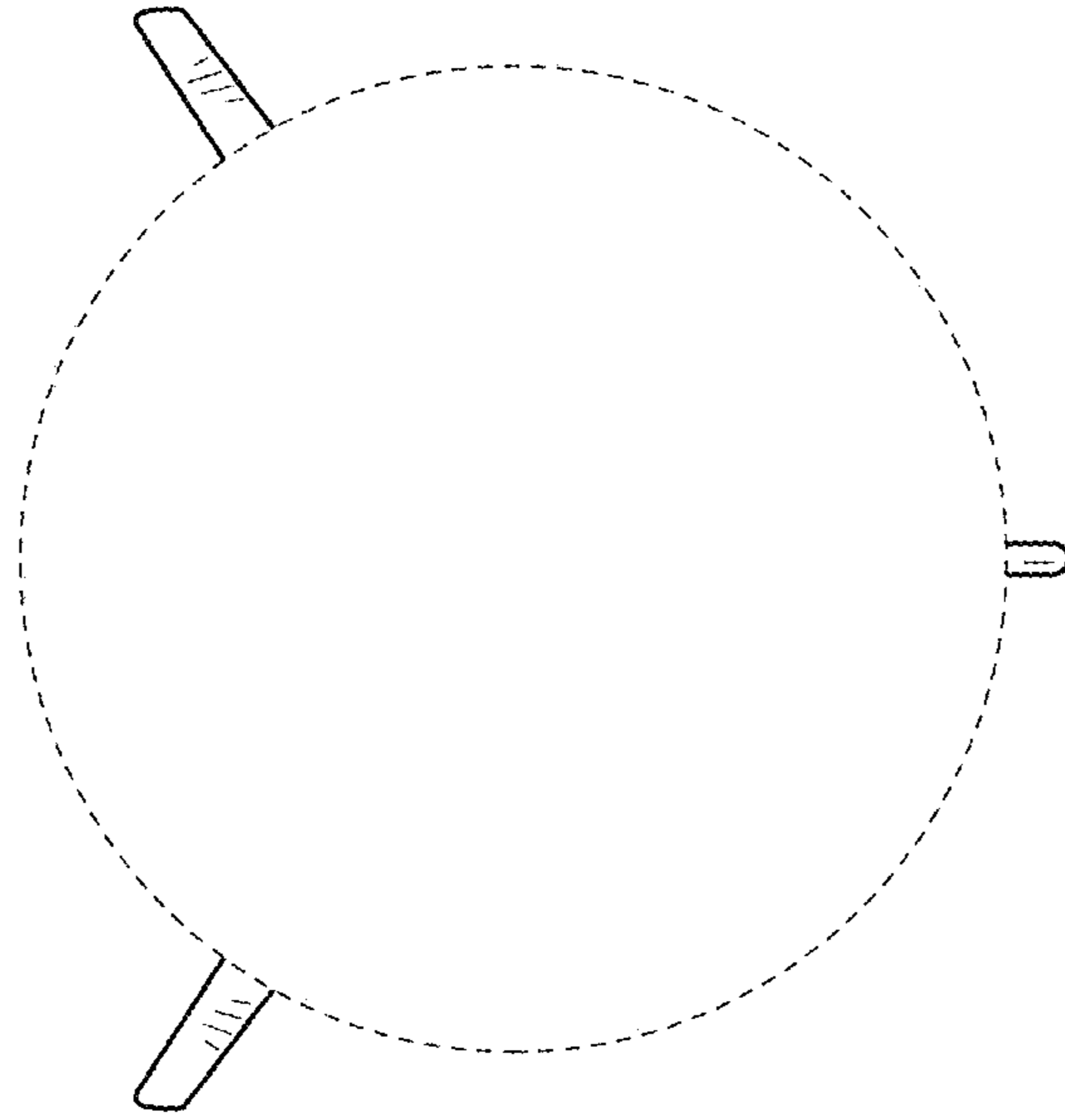


FIG. 5

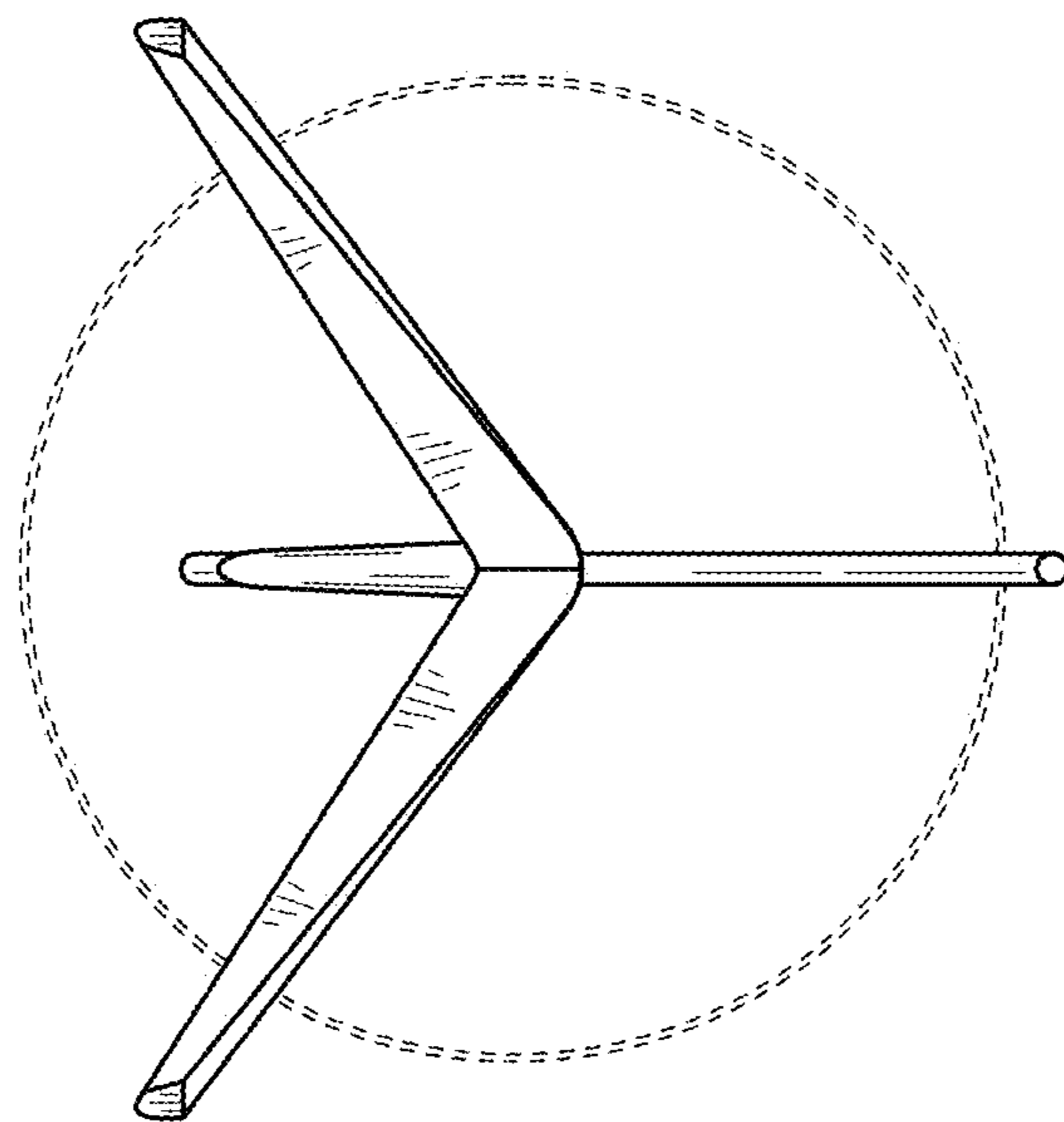


FIG. 6