



US00D877404S

(12) **United States Design Patent**
Hartenstein

(10) **Patent No.:** **US D877,404 S**
(45) **Date of Patent:** **** Mar. 3, 2020**

(54) **BEZEL FOR AUTOMOTIVE LIGHTING
ELEMENT**

(71) Applicant: **AAC Enterprises LLC**, Metairie, LA
(US)

(72) Inventor: **Justin Hartenstein**, Metairie, LA (US)

(73) Assignee: **AAC Enterprises LLC**, Metairie, LA
(US)

(**) Term: **15 Years**

(21) Appl. No.: **29/683,044**

(22) Filed: **Mar. 11, 2019**

Related U.S. Application Data

(63) Continuation-in-part of application No. 16/501,102,
filed on Oct. 25, 2018.

(51) **LOC (12) Cl.** **26-99**

(52) **U.S. Cl.**
USPC **D26/139**

(58) **Field of Classification Search**
USPC D26/28-36, 139
CPC F21S 48/00; F21S 48/10; F21S 48/115;
F21S 48/225; F21S 48/1233; F21S
48/1266; F21S 48/1388; F21S 48/2268;
F21V 21/04; B60Q 9/13; B60Q 9/135;
B60Q 9/1375

See application file for complete search history.

(56) **References Cited**

U.S. PATENT DOCUMENTS

D283,248 S *	4/1986	Clark	D23/371
D295,563 S *	5/1988	Speck	D26/139
D364,704 S *	11/1995	Alger	D12/167
D375,568 S *	11/1996	Matthies	D12/114
D431,318 S *	9/2000	Huang	D26/139

* cited by examiner

Primary Examiner — Marcus A Jackson

(74) *Attorney, Agent, or Firm* — Edwin A. Sisson,
Attorney at Law, LLC; Jeffrey J. Banyas

(57) **CLAIM**

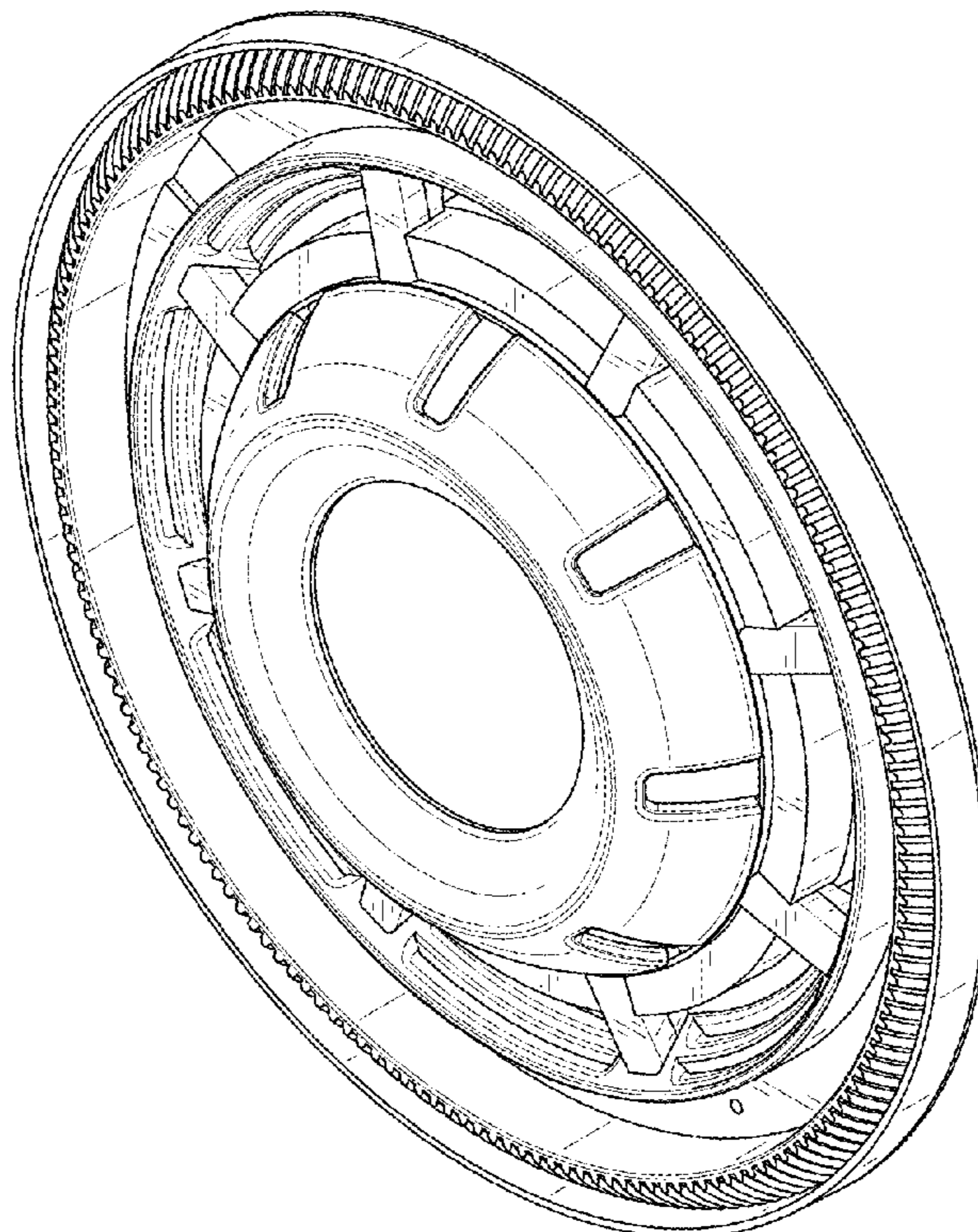
The ornamental design for a bezel for an automotive lighting
element, as shown and described.

DESCRIPTION

FIG. 1 is a perspective front view of a bezel;
FIG. 2 is a front view of the bezel;
FIG. 3 is a rear view of the bezel;
FIG. 4 is a right side view of the bezel;
FIG. 5 is a left side view of the bezel;
FIG. 6 is a top view of the bezel;
FIG. 7 is a bottom view of the bezel;
FIG. 8 is a perspective view of the bezel installed in an
automotive lighting element;
FIG. 9 is a front view of the bezel installed in the automotive
lighting element; and,
FIG. 10 is a side view of the bezel installed in the automotive
lighting element.

The broken lines form no part of the claimed design.

1 Claim, 8 Drawing Sheets



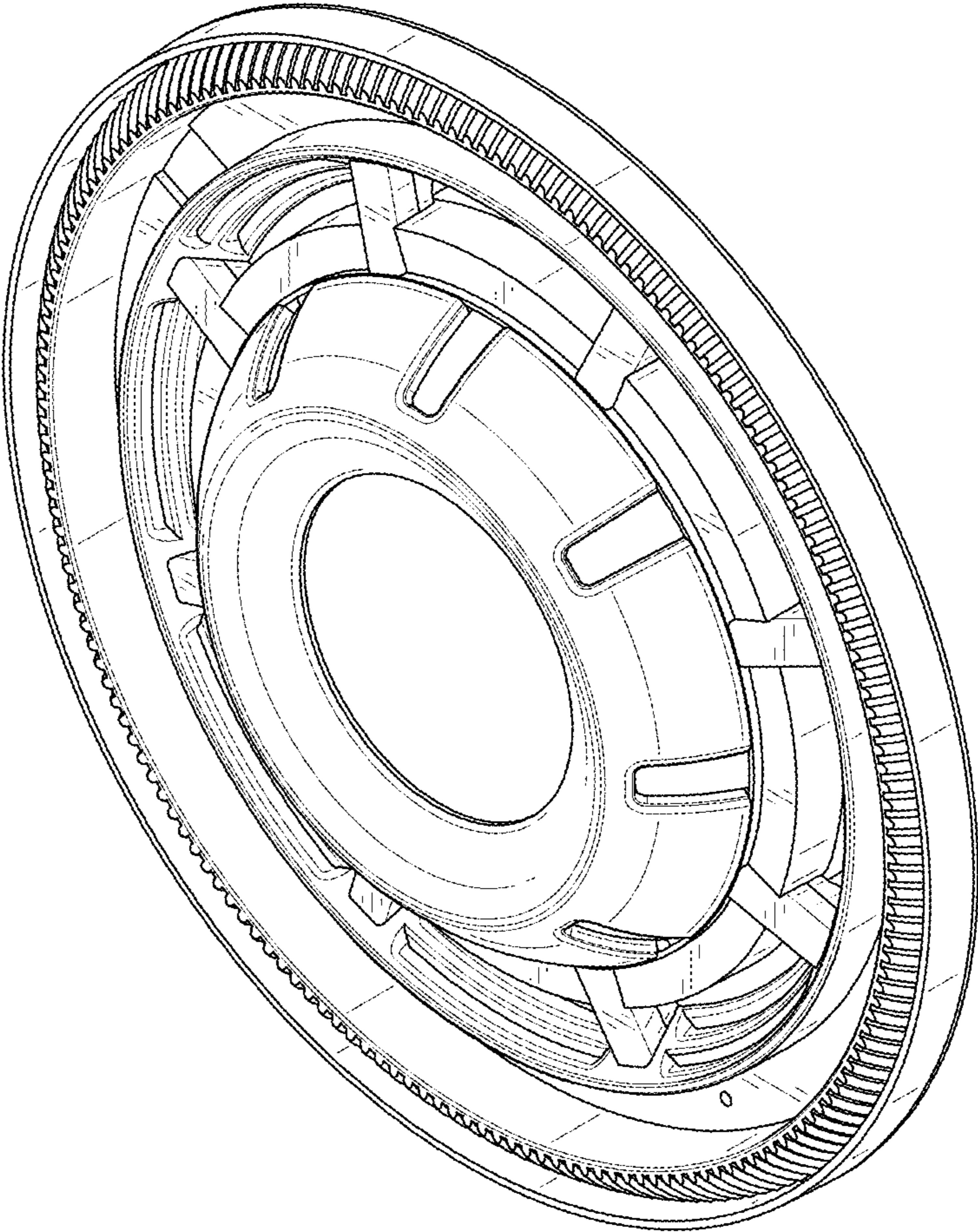


FIG. 1

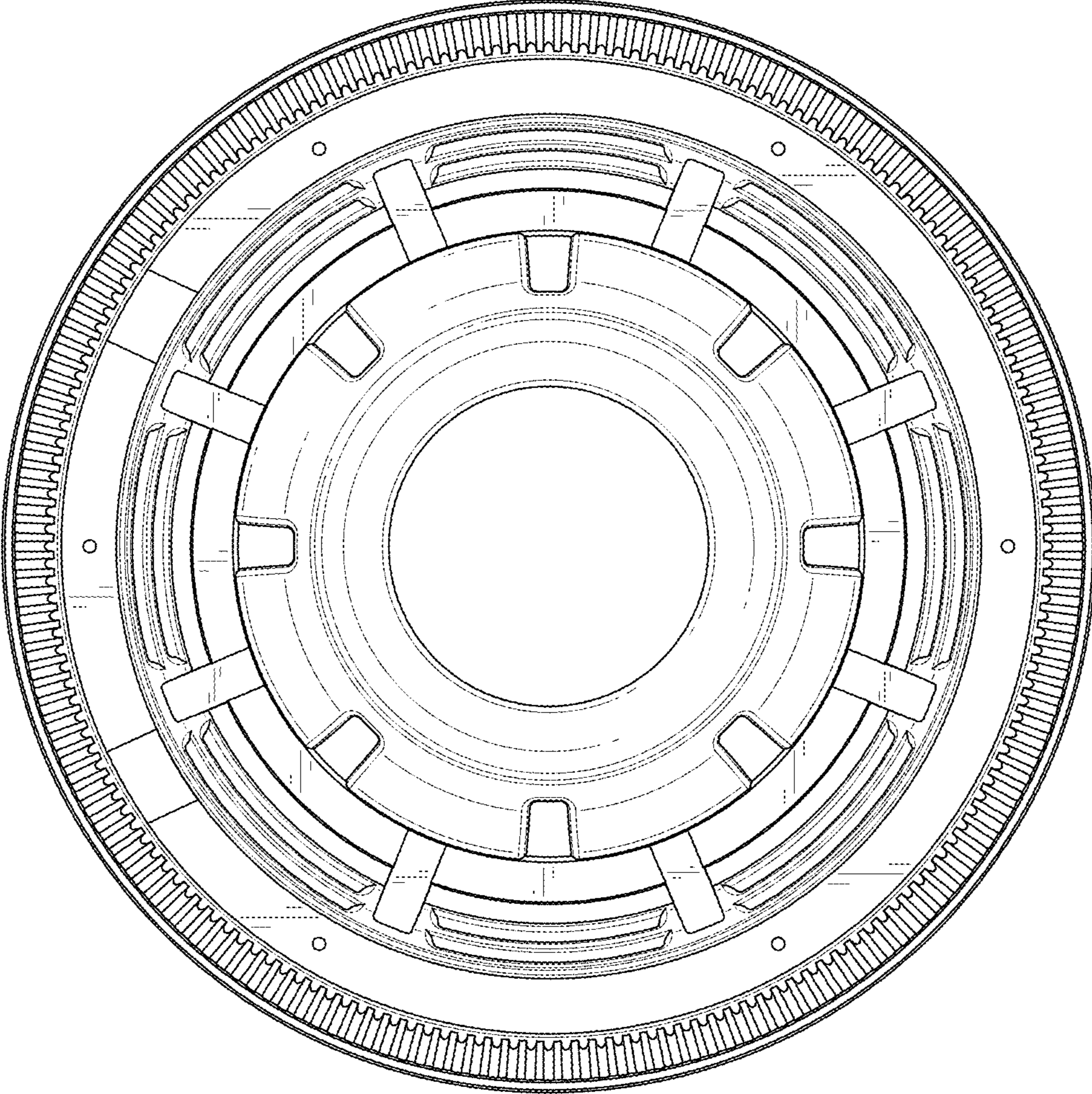


FIG. 2

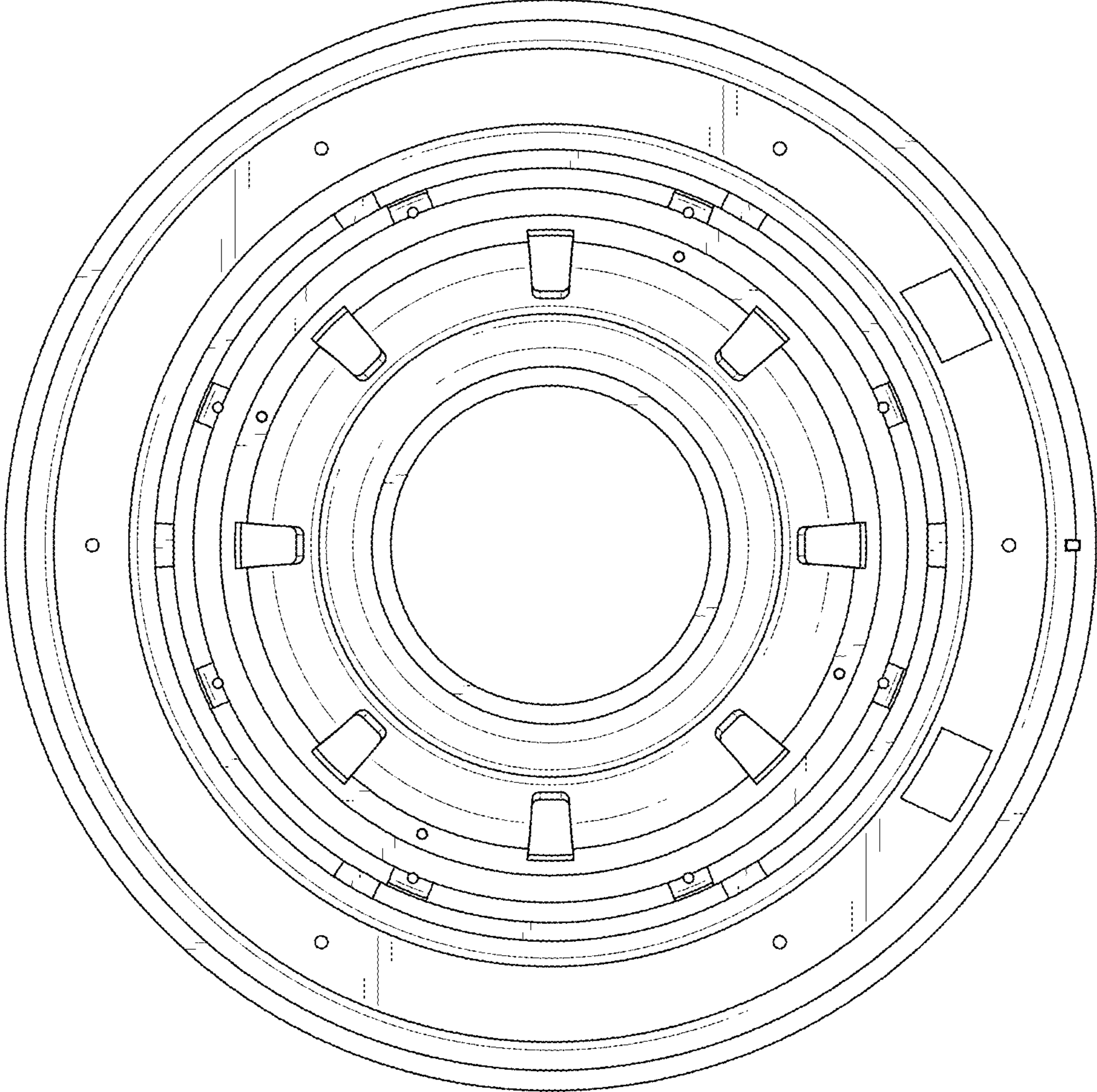


FIG. 3

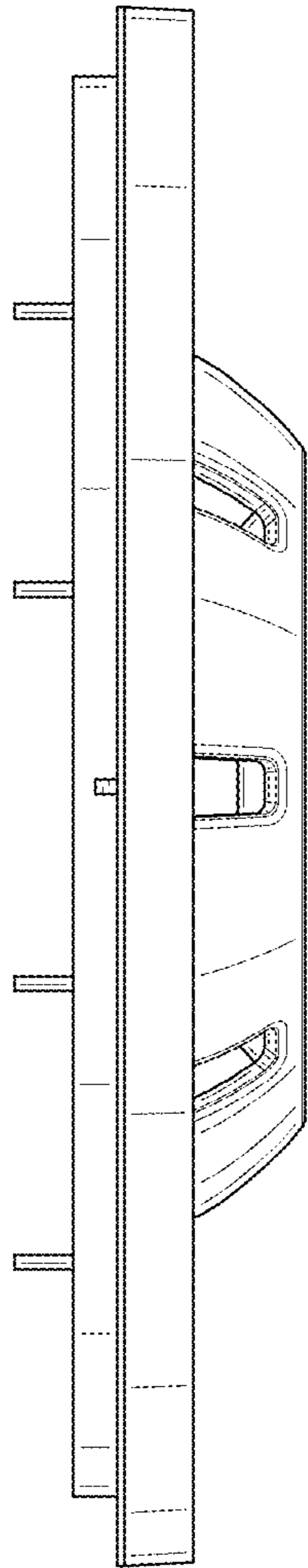


FIG. 4

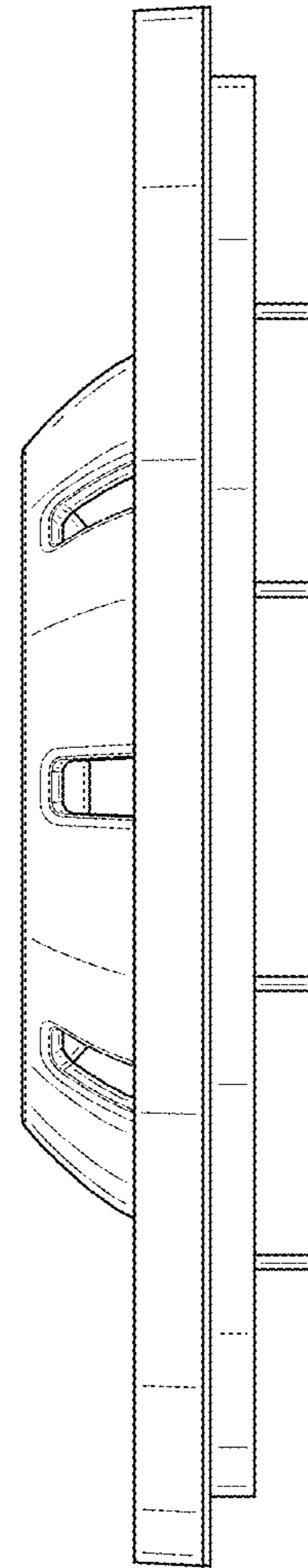


FIG. 5

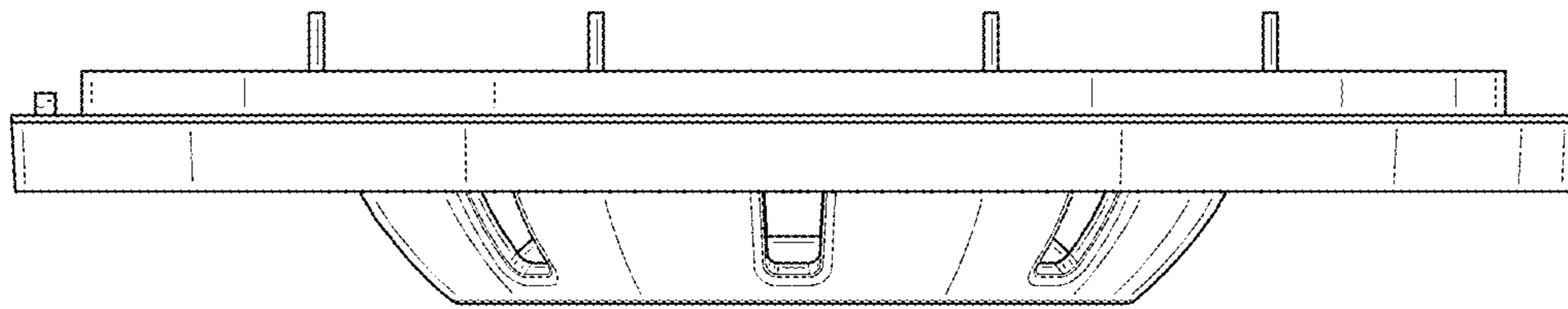


FIG. 6

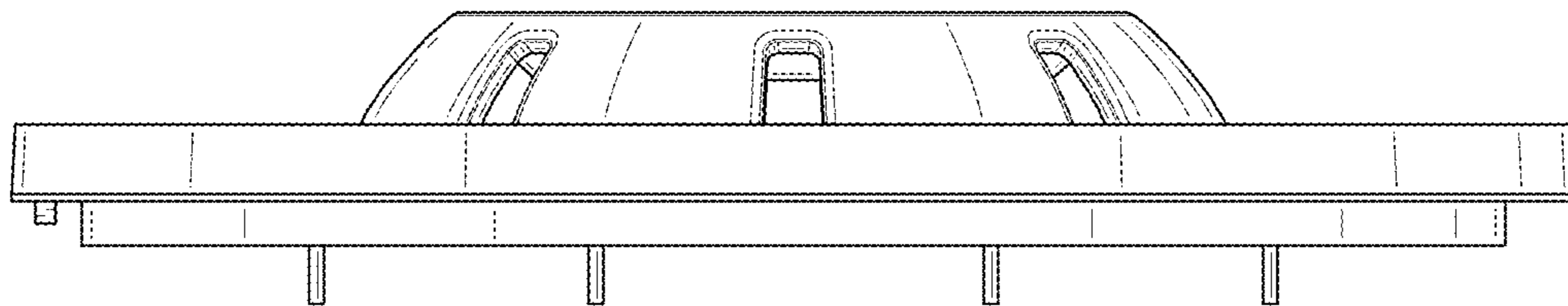


FIG. 7

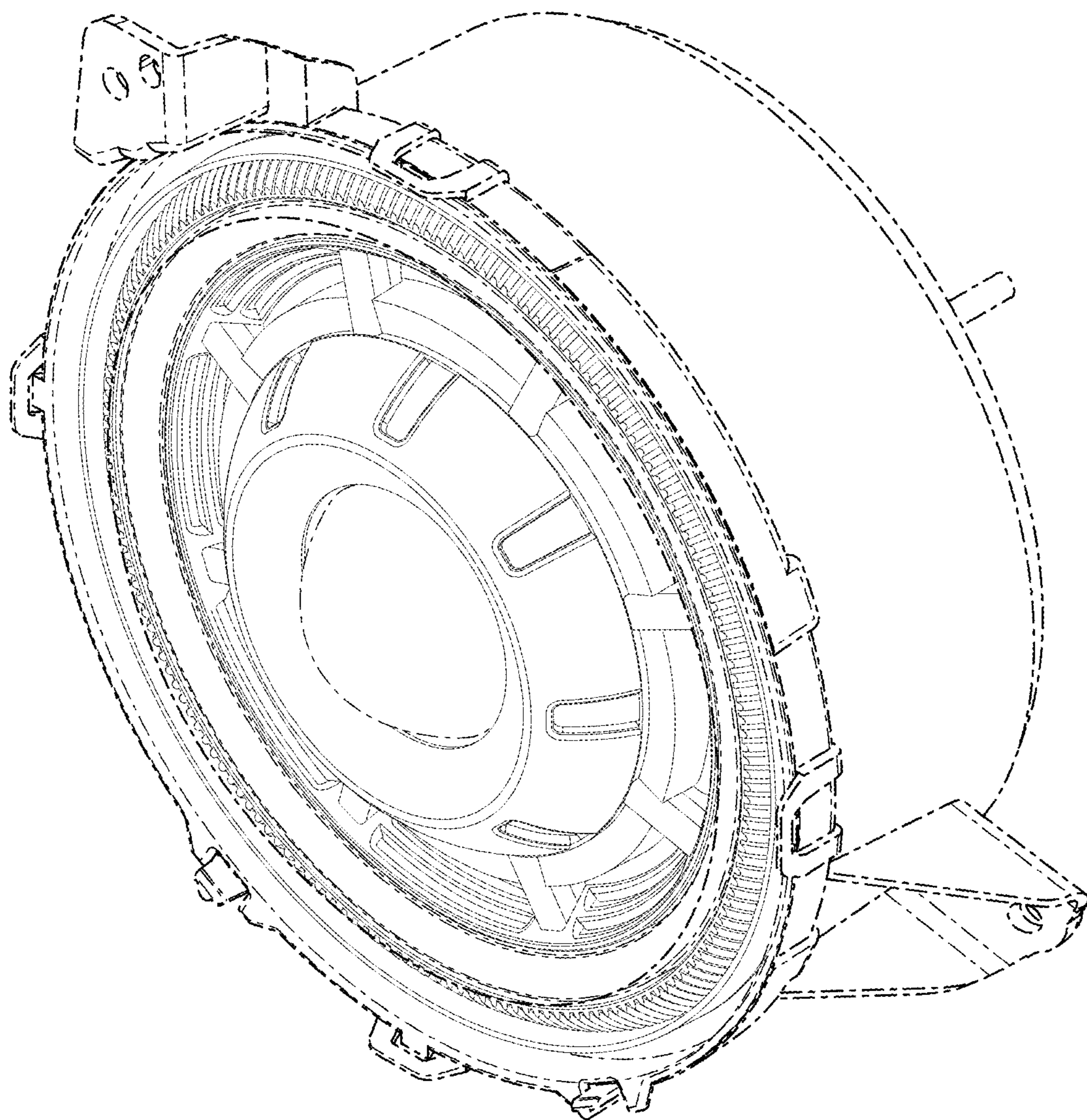


FIG. 8

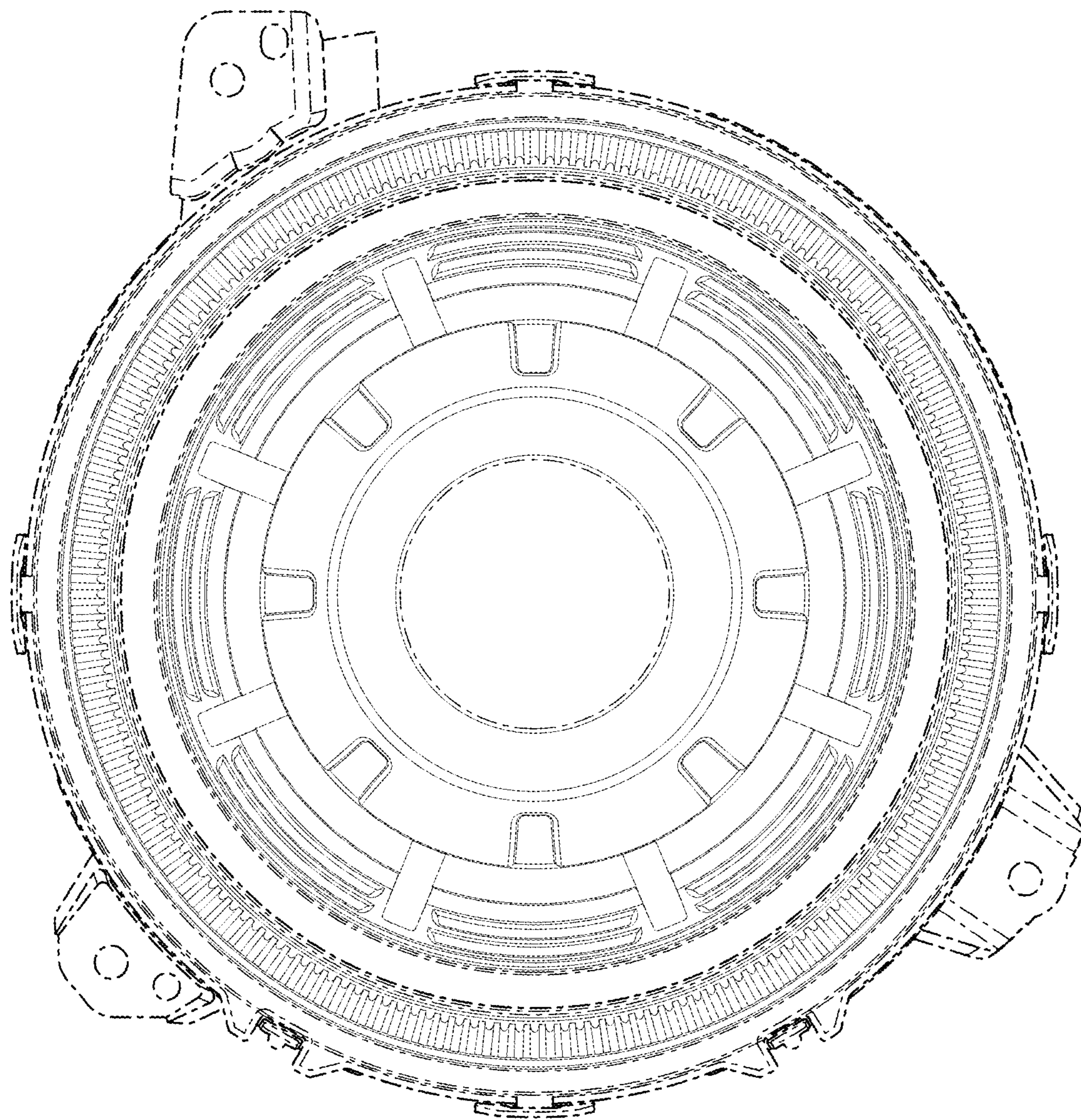


FIG. 9

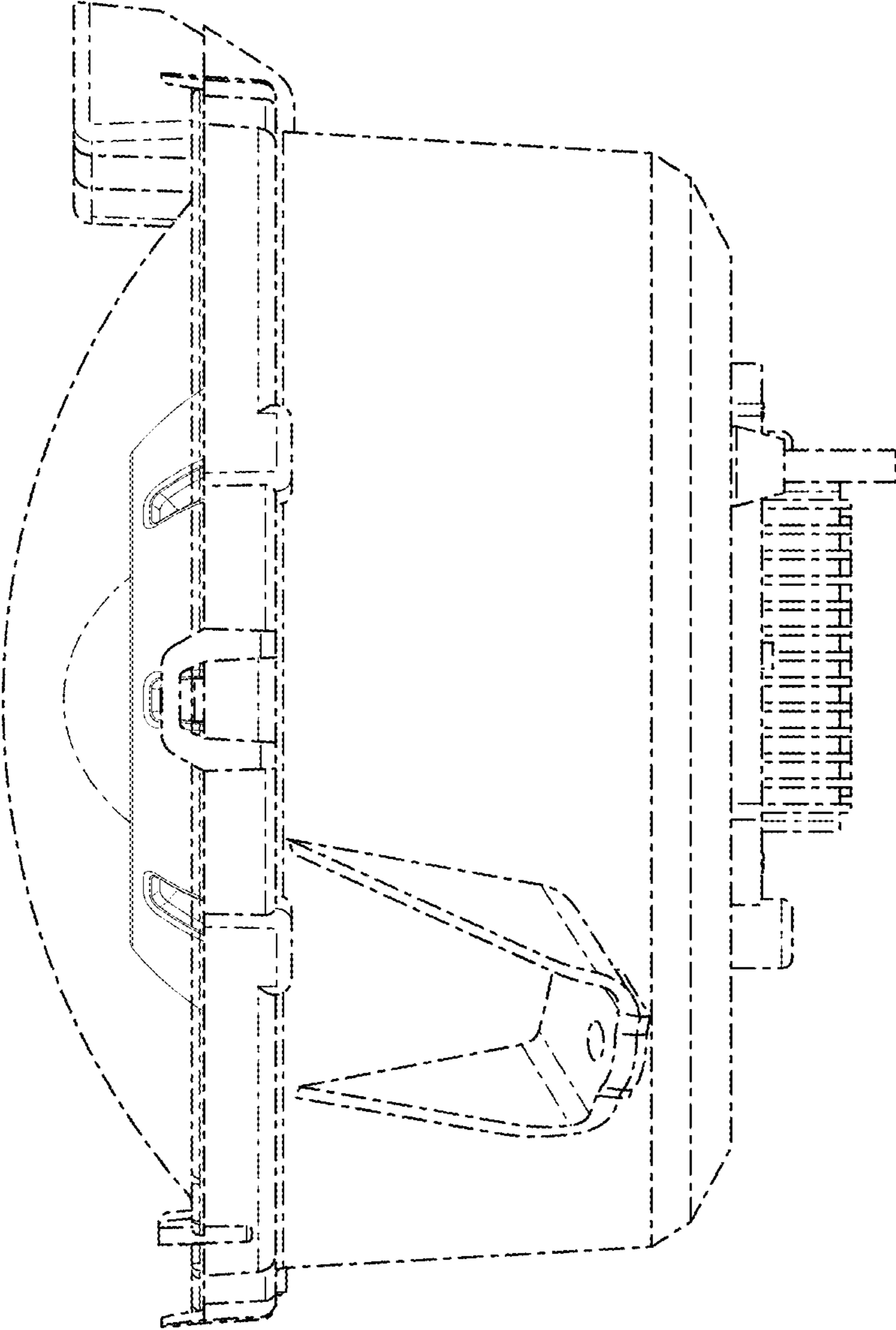


FIG. 10