



US00D877402S

(12) **United States Design Patent**
Klus

(10) **Patent No.:** **US D877,402 S**
(45) **Date of Patent:** **** Mar. 3, 2020**

(54) **EXTRUSION FOR LED BASED LIGHTING APPARATUS**

(71) Applicant: **Sylwester Klus**, Kamionka (PL)

(72) Inventor: **Sylwester Klus**, Kamionka (PL)

(**) Term: **15 Years**

(21) Appl. No.: **29/654,798**

(22) Filed: **Jun. 27, 2018**

(51) **LOC (12) Cl.** **26-05**

(52) **U.S. Cl.**
USPC **D26/138**

(58) **Field of Classification Search**
USPC D26/72, 74, 76, 78-83, 85, 86, 88, 90,
D26/93, 111, 113, 118, 119, 120, 121,
D26/122, 138, 139, 140, 141, 142, 152
CPC F21S 2/00; F21S 4/00; F21S 4/003; F21S
4/005; F21S 4/006; F21S 4/007; F21S
4/008; F21S 6/00; F21S 8/00; F21S
8/024; F21S 8/026; F21S 8/031; F21S
8/033; F21S 8/035-037; F21S 8/04; F21S
8/043; F21S 8/063
See application file for complete search history.

(56) **References Cited**

U.S. PATENT DOCUMENTS

D649,683 S * 11/2011 Trzesniowski D26/138
D649,686 S * 11/2011 Trzesniowski D26/138
D724,257 S * 3/2015 Klus D26/141
D775,409 S * 12/2016 Klus D26/138

D775,410 S * 12/2016 Klus D26/138
D782,104 S * 3/2017 Klus D26/138
D790,760 S * 6/2017 Klus D26/138
D792,017 S * 7/2017 Klus D26/138
D796,110 S * 8/2017 Klus D26/138
D799,065 S * 10/2017 Trennaine D25/119
D868,353 S * 11/2019 Trzcielinski D26/138
D869,073 S * 12/2019 Trzcielinski D26/138
D869,077 S * 12/2019 Trzcielinski D26/138
D869,078 S * 12/2019 Trzcielinski D26/138

* cited by examiner

Primary Examiner — *Natasha Vujcic*

(74) *Attorney, Agent, or Firm* — *Mark Terry*

(57) **CLAIM**

The ornamental design for an extrusion for LED based lighting apparatus, as shown and described.

DESCRIPTION

FIG. 1 is a top perspective view of an extrusion for LED based lighting apparatus, showing the new design; FIG. 2 is a bottom perspective view thereof; FIG. 3 is a front view thereof; FIG. 4 is a bottom view thereof; FIG. 5 is a rear view thereof; FIG. 6 is a top view thereof; and, FIG. 7 is a side view thereof. The uniformly dashed lines shown in the drawings illustrate portions of the extrusion for LED based lighting apparatus which form no part of the claimed design.

1 Claim, 4 Drawing Sheets

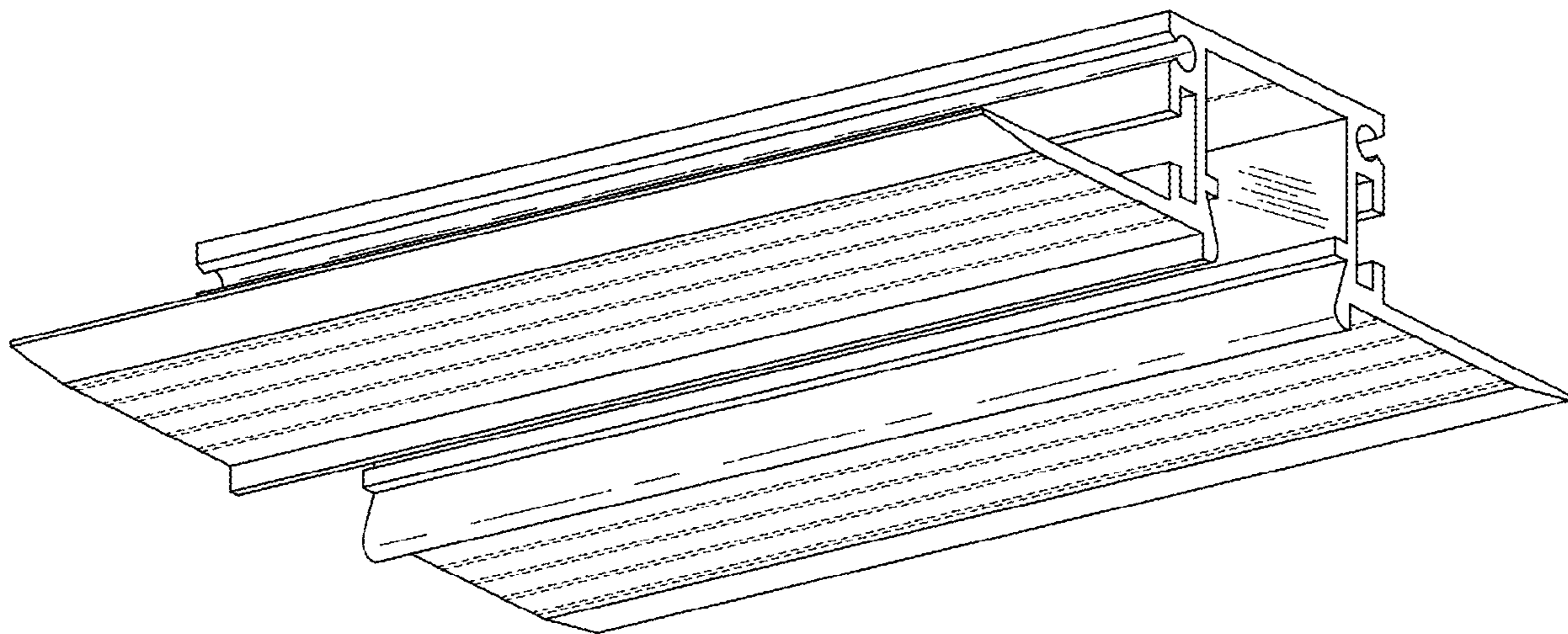


FIG. 1

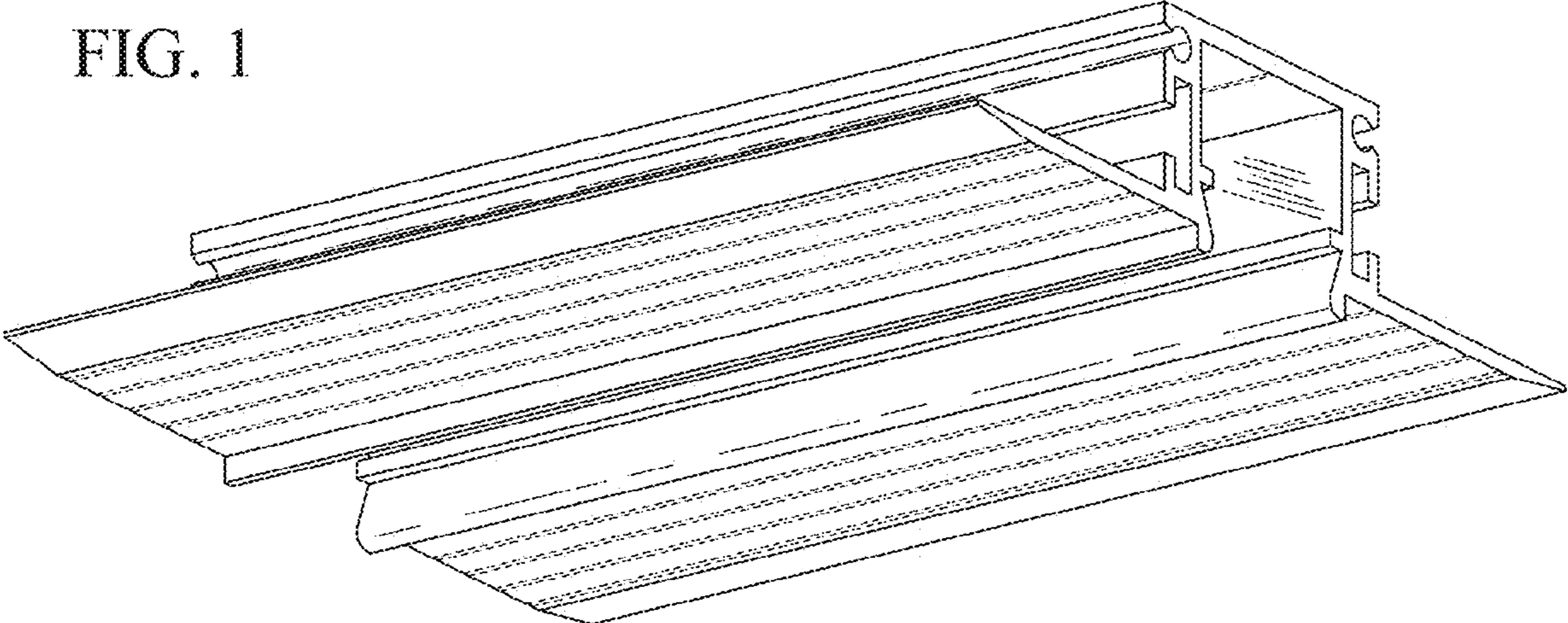


FIG. 2

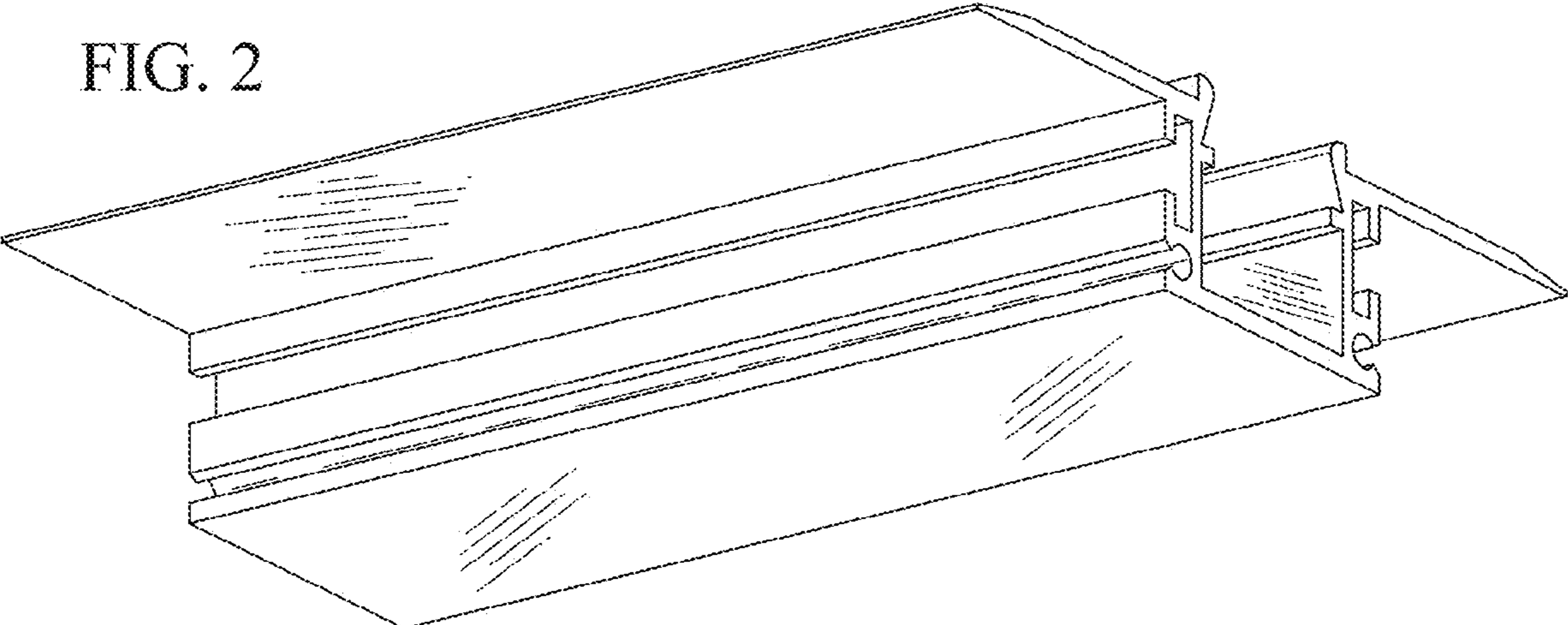


FIG. 3

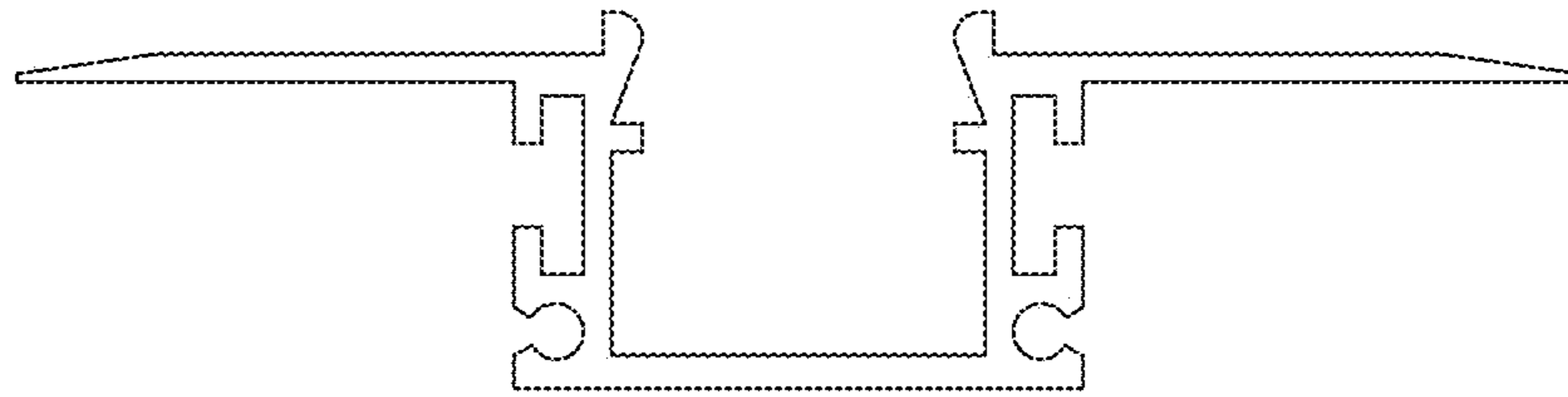


FIG. 4

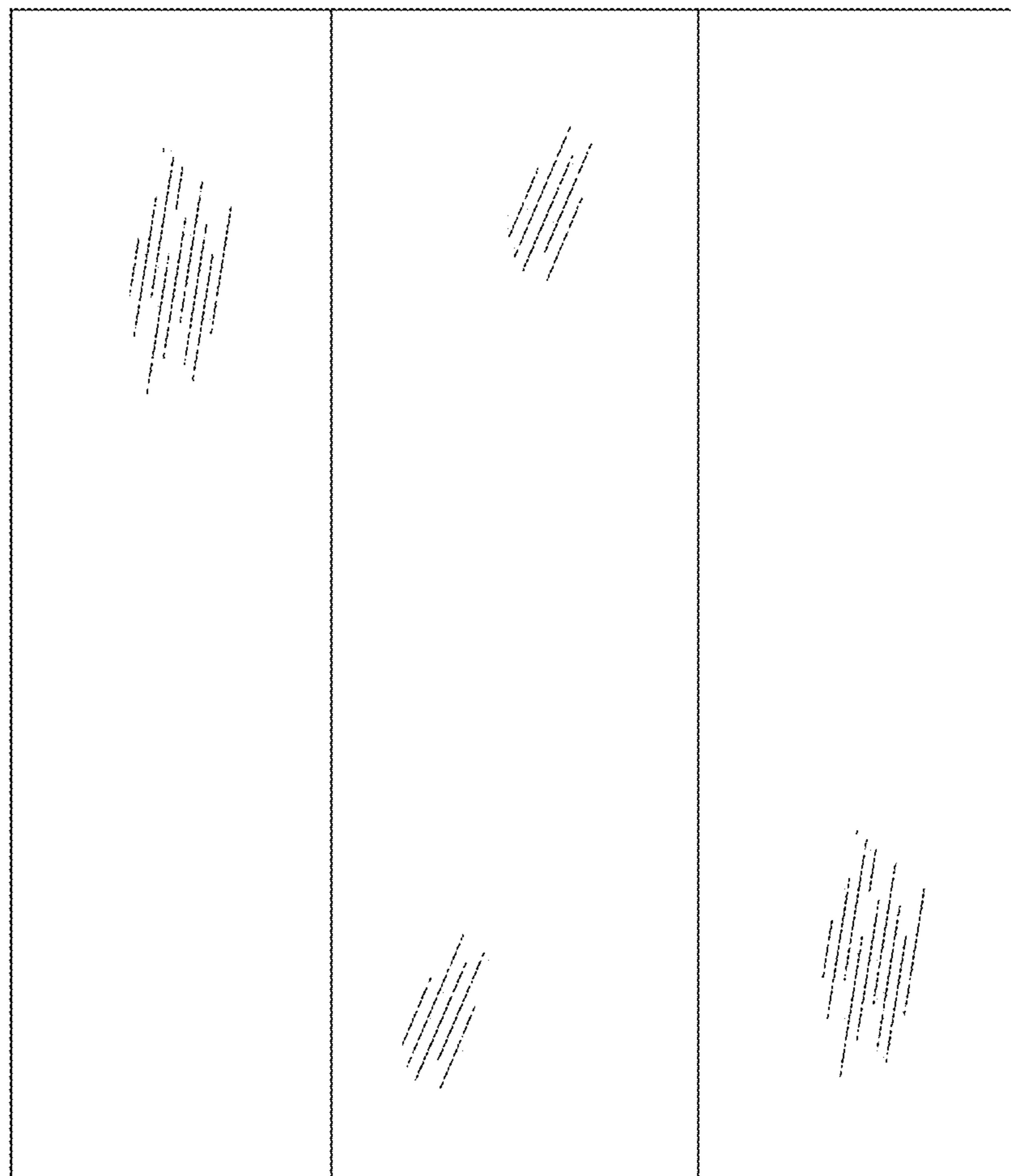


FIG. 5

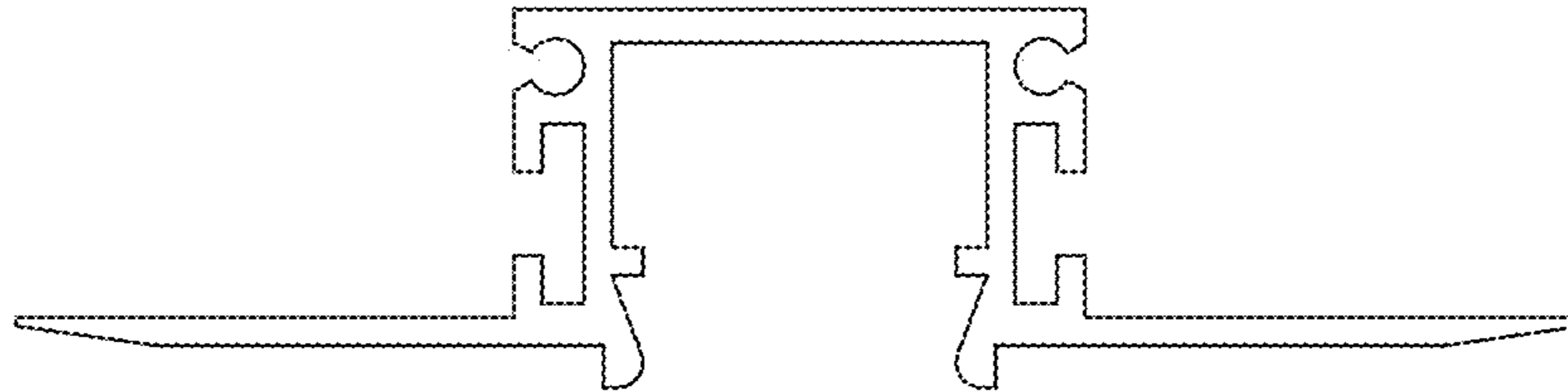


FIG. 6

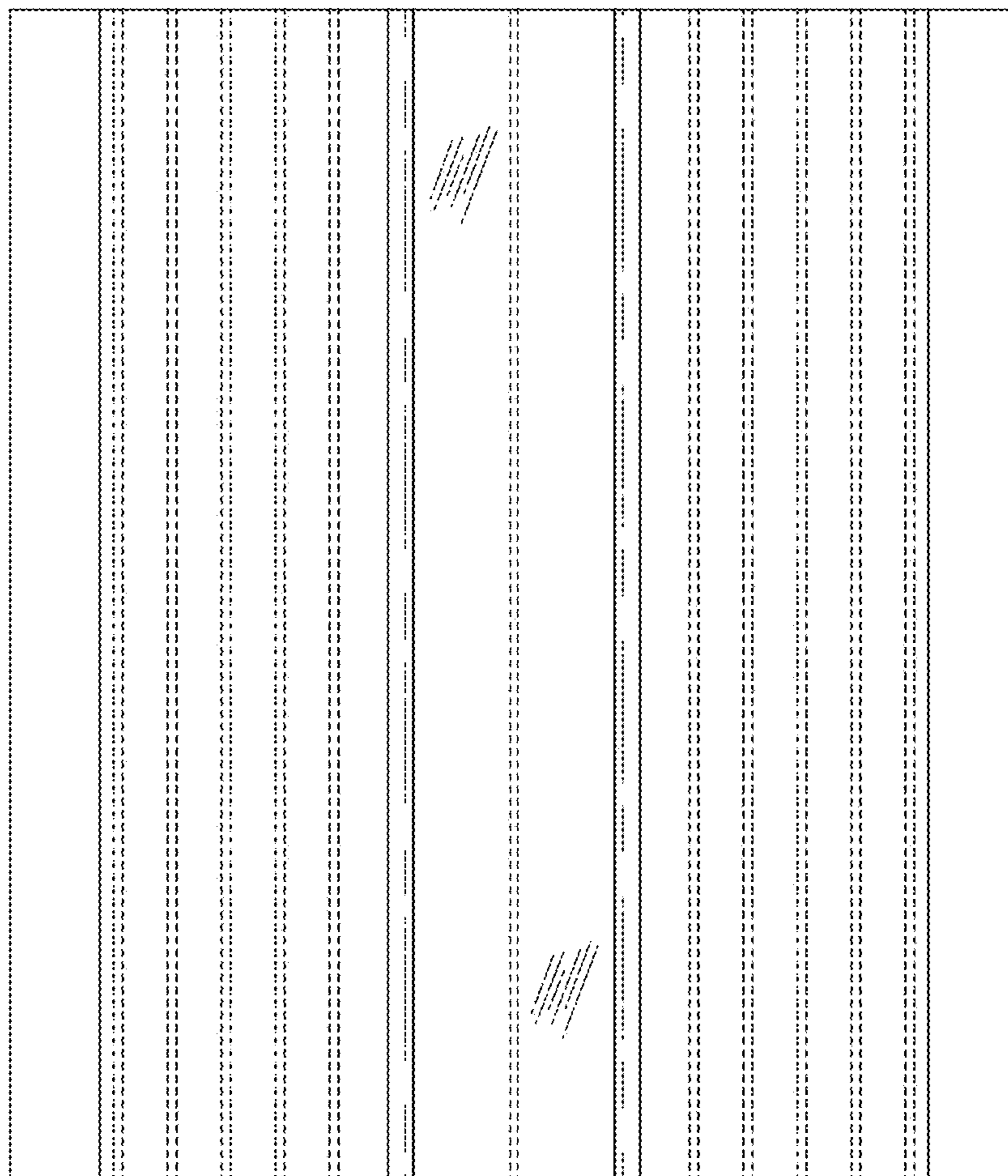


FIG. 7

