



US00D877401S

(12) **United States Design Patent**  
**Tepo et al.**

(10) **Patent No.:** **US D877,401 S**  
(45) **Date of Patent:** **\*\* Mar. 3, 2020**

- (54) **BAFFLE FOR A LIGHT FIXTURE**
- (71) Applicant: **ABL IP Holding LLC**, Decatur, GA (US)
- (72) Inventors: **Megan Marie Tepo**, Atlanta, GA (US); **Douglas Dewayne Grove**, Grayson, GA (US); **John M. Reilly**, Atlanta, GA (US); **Joseph J. Onda**, Lawrenceville, GA (US); **James S. Conn**, Conyers, GA (US); **Jeff Robert Shaner**, Loganville, GA (US)
- (73) Assignee: **ABL IP Holding LLC**, Atlanta, GA (US)

3,381,123 A	4/1968	Docimo	
D423,732 S *	4/2000	McGee	D30/129
6,779,908 B1	8/2004	Ng	
D501,269 S	1/2005	Parres	
D533,959 S *	12/2006	Wambaugh	D26/138
D599,951 S	9/2009	Pickard	
D601,295 S	9/2009	Brown	
7,597,460 B1	10/2009	Rashidi	
D689,649 S *	9/2013	Popper	D26/124
D691,321 S	10/2013	Chen	
D693,517 S *	11/2013	Davis	D26/138
D700,737 S *	3/2014	Campagna	D26/142
D707,877 S *	6/2014	Turner	D26/118
D718,004 S *	11/2014	Stovall	D30/129
D725,818 S *	3/2015	Yao	D26/118
D741,539 S *	10/2015	Gettings	D26/152
D742,583 S *	11/2015	Gettings	D26/152
D743,094 S *	11/2015	Gettings	D26/152

(\*\*) Term: **15 Years**

(21) Appl. No.: **29/602,708**

(22) Filed: **May 2, 2017**

(51) **LOC (12) Cl.** ..... **26-05**

(52) **U.S. Cl.**  
USPC ..... **D26/138**

(58) **Field of Classification Search**  
 USPC ..... D26/72, 74, 76, 78-83, 85, 86, 88, 90, D26/93, 111, 113, 118, 119, 120, 121, D26/122, 138, 139, 140, 141, 142, 152  
 CPC ..... F21S 2/00; F21S 4/00; F21S 4/003; F21S 4/005; F21S 4/006; F21S 4/007; F21S 4/008; F21S 6/00; F21S 8/00; F21S 8/024; F21S 8/026; F21S 8/031; F21S 8/033; F21S 8/035-8/037; F21S 8/04; F21S 8/043; F21S 8/063

See application file for complete search history.

(56) **References Cited**

**U.S. PATENT DOCUMENTS**

D158,240 S 4/1950 Wood  
 3,182,187 A 5/1965 Gellert

(Continued)

*Primary Examiner* — Natasha Vujcic

(74) *Attorney, Agent, or Firm* — Kilpatrick Townsend & Stockton LLP

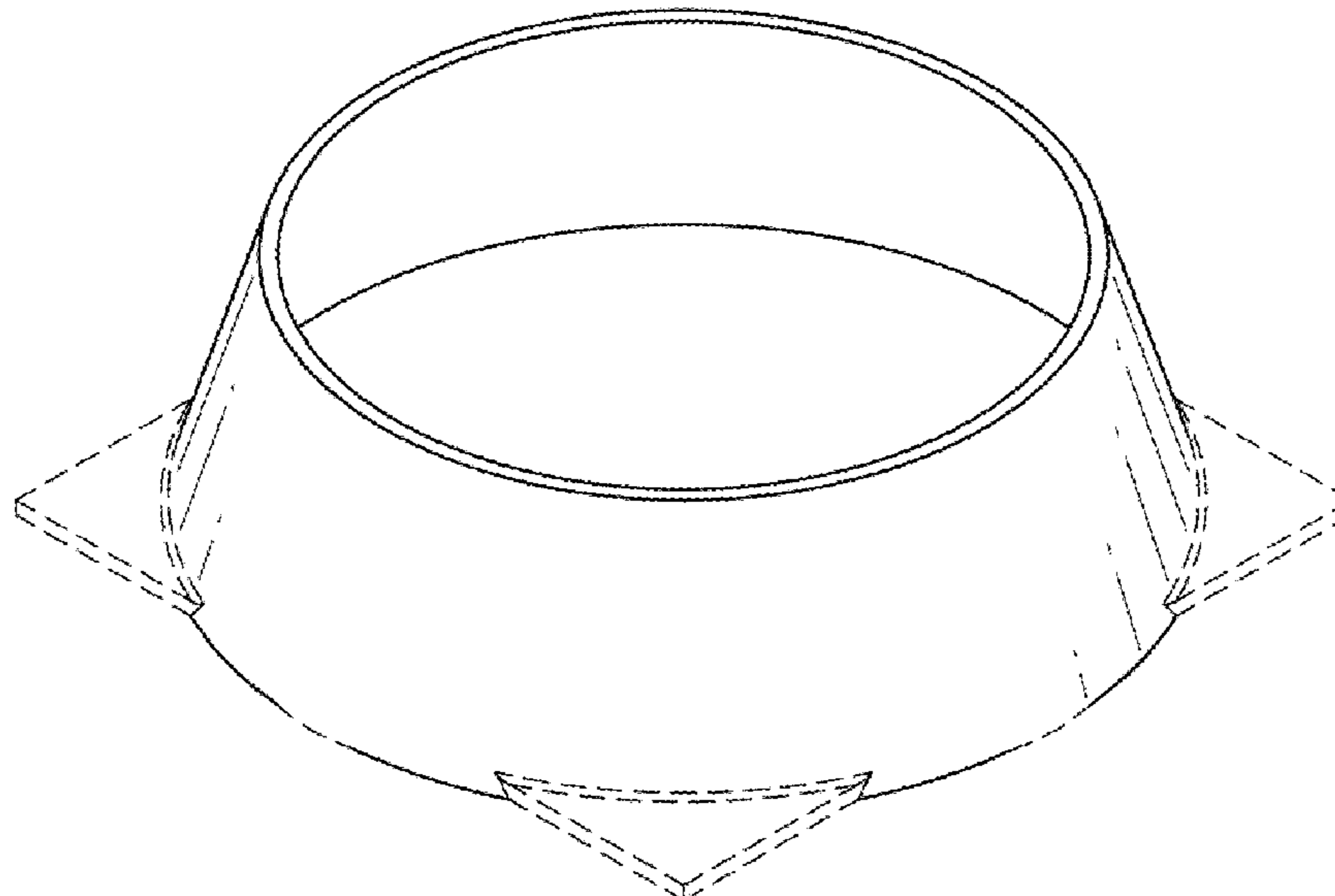
(57) **CLAIM**

The ornamental design for a baffle for a light fixture, as shown and described.

**DESCRIPTION**

FIG. 1 is a bottom plan view of a baffle for a light fixture; FIG. 2 is a bottom isometric view of the baffle of FIG. 1; FIG. 3 is a front elevation view of the baffle of FIG. 1, wherein the rear elevation view is a mirror image thereof; FIG. 4 is a left side elevation view of the baffle of FIG. 1, wherein the right side elevation view is a mirror image thereof; FIG. 5 is a top plan view of the baffle of FIG. 1; and, FIG. 6 is a top isometric view of the baffle of FIG. 1. The broken lines in the drawings illustrate portions of the baffle for a light fixture which form no part of the claimed design.

**1 Claim, 6 Drawing Sheets**



(56)

**References Cited**

U.S. PATENT DOCUMENTS

D750,315 S	2/2016	Yao	
D751,246 S *	3/2016	Yao .....	D26/118
D759,873 S	6/2016	Saaranen	
D767,808 S *	9/2016	Lehman .....	D26/74
D785,852 S *	5/2017	Rashidi Doust .....	D26/138
D824,566 S *	7/2018	Santoro .....	D26/74
D827,914 S	9/2018	Momin	
D829,367 S *	9/2018	Momin .....	D26/124
D851,326 S *	6/2019	Tepo .....	D26/138
D859,732 S *	9/2019	Robinson .....	D26/138

\* cited by examiner

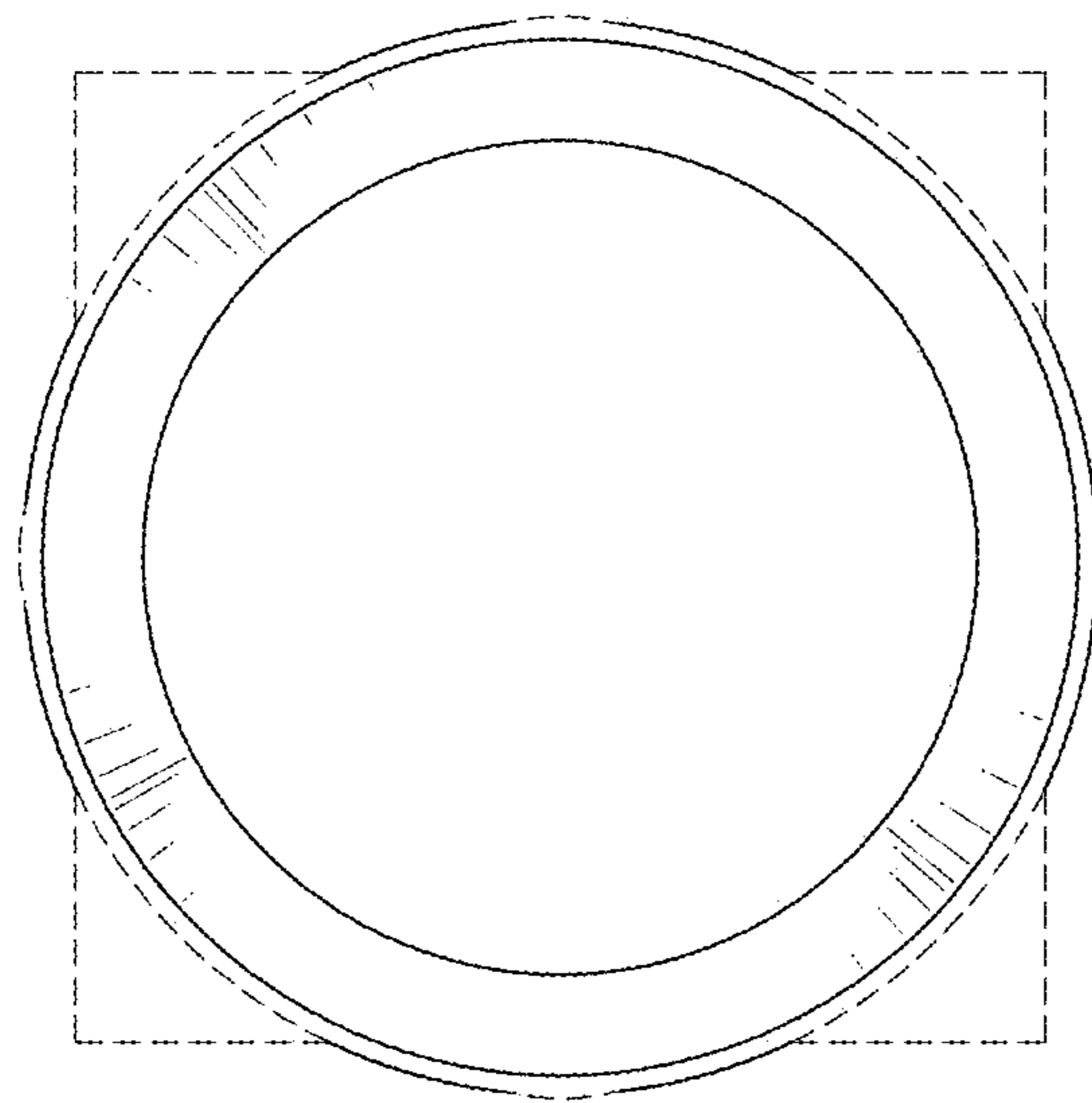


FIG. 1

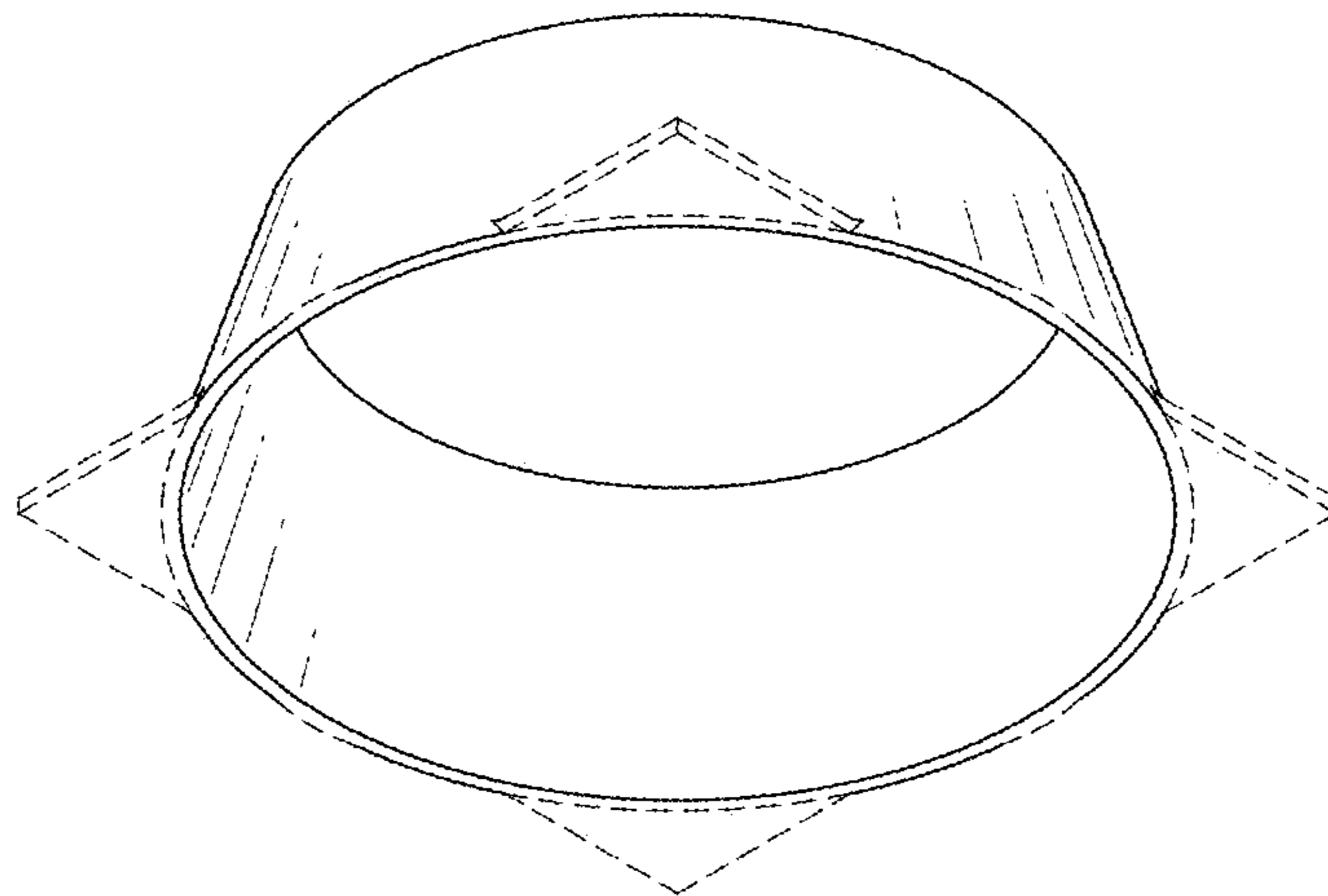


FIG. 2

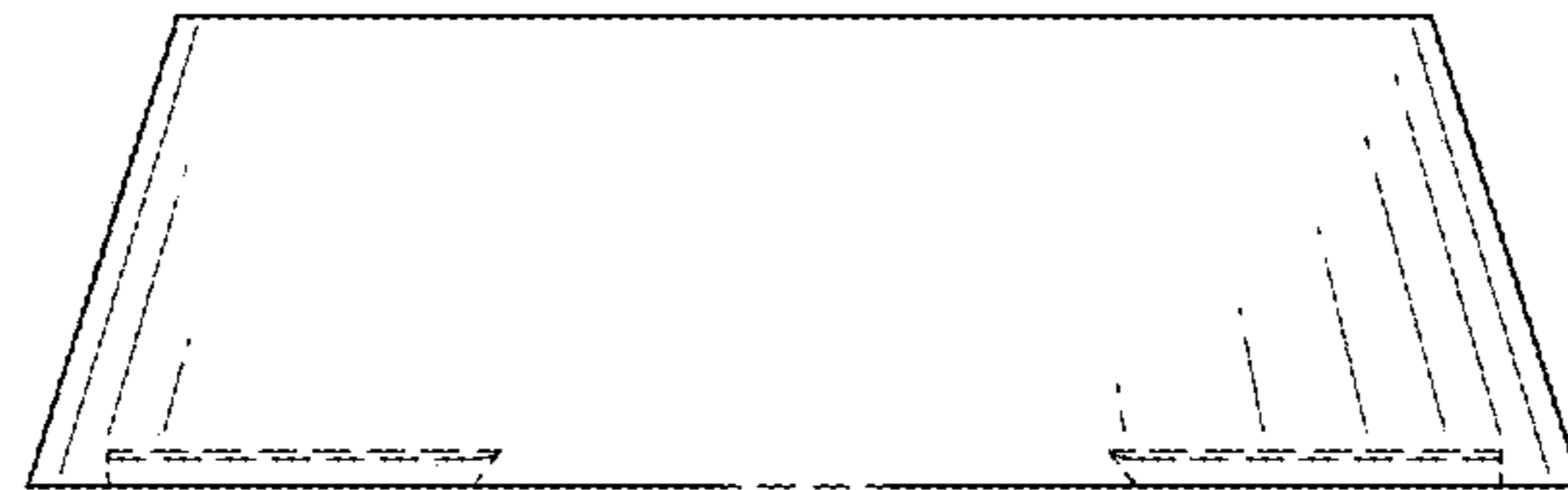


FIG. 3

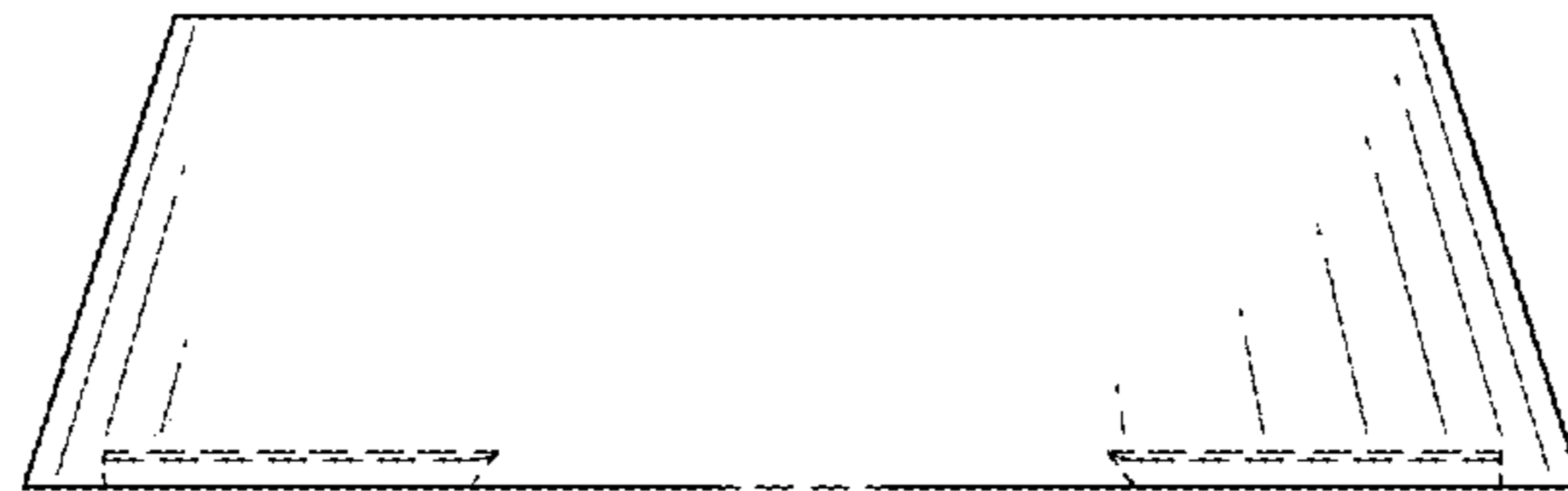


FIG.4

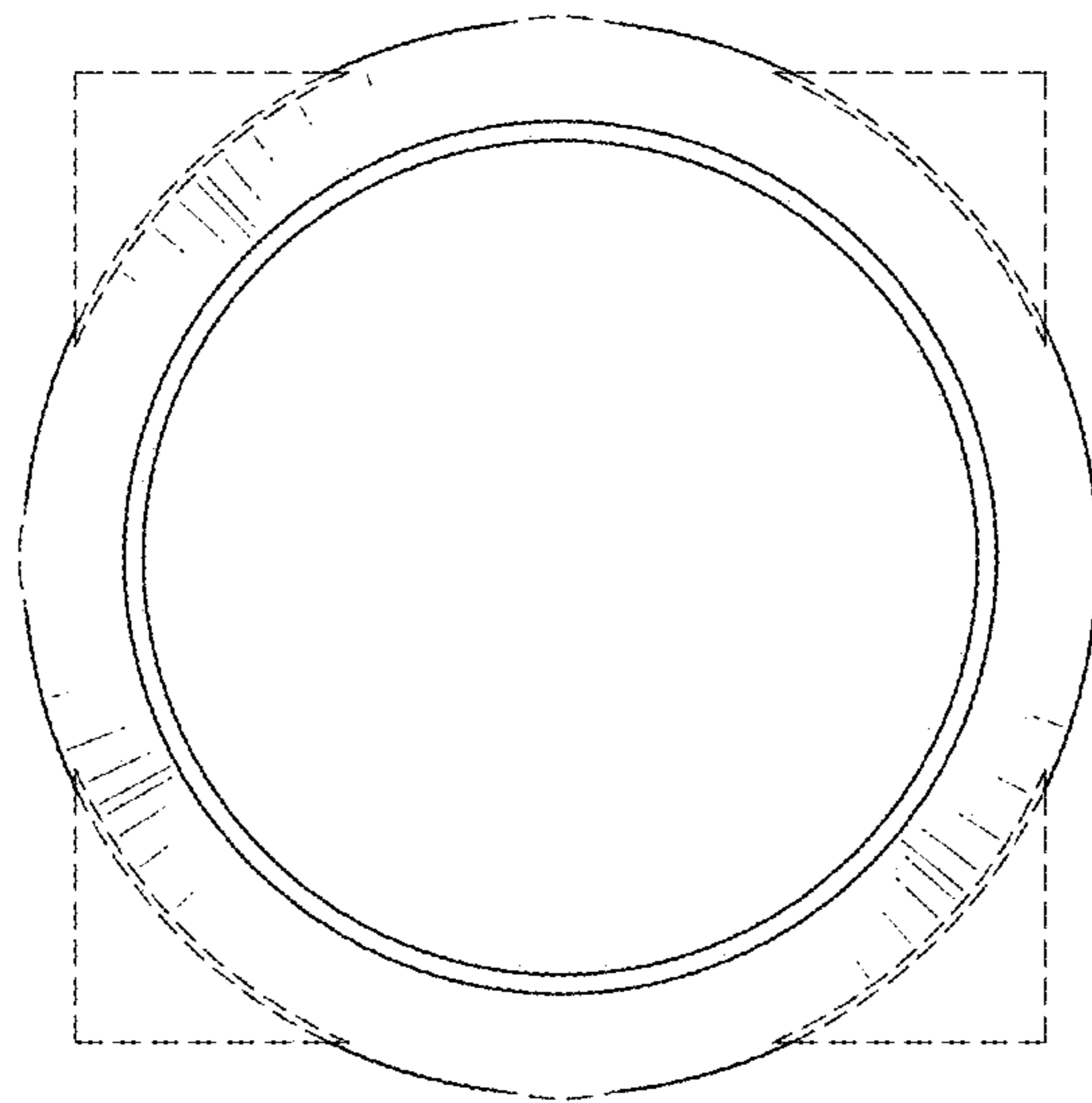


FIG.5

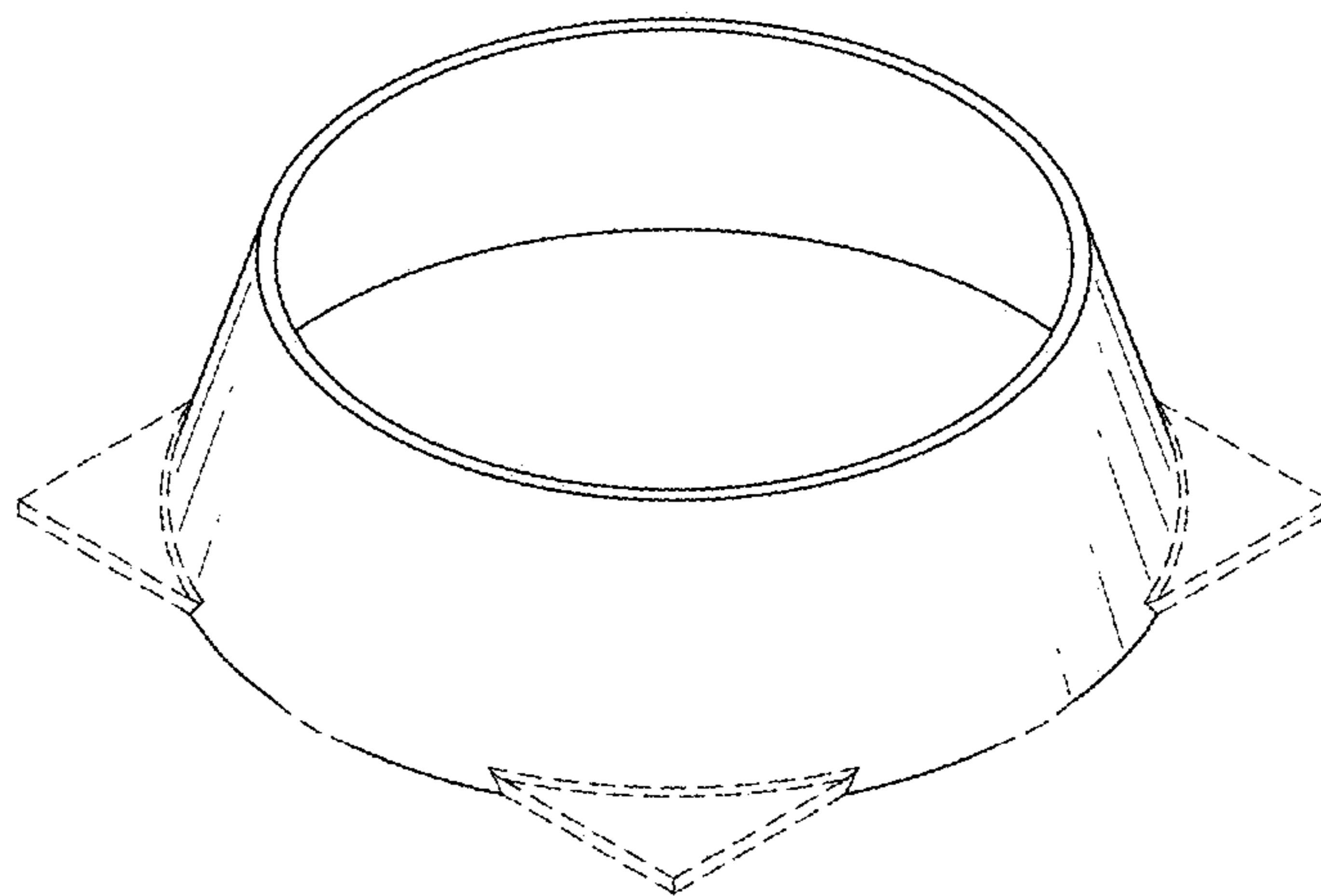


FIG. 6