

US00D877398S

(12) **United States Design Patent**
Vasilev

(10) **Patent No.:** **US D877,398 S**

(45) **Date of Patent:** **** Mar. 3, 2020**

(54) **LAMP**

(71) Applicant: **NATUZZI S.p.A.**, Santeramo in Colle (Bari) (IT)

(72) Inventor: **Victor Vasilev**, Milan (IT)

(73) Assignee: **Natuzzi S.p.A.**, Santeramo in Colle (Bari) (IT)

(**) Term: **15 Years**

(21) Appl. No.: **29/634,521**

(22) Filed: **Jan. 23, 2018**

(30) **Foreign Application Priority Data**

Jul. 27, 2017 (EM) 004122844-0001

(51) **LOC (12) Cl.** **26-03**

(52) **U.S. Cl.**
USPC **D26/106; D26/107**

(58) **Field of Classification Search**
USPC D26/24, 51, 62, 63, 65, 93, 106, 107
CPC F21Y 2101/02; F21S 6/003; F21V 21/26;
F21V 21/30

See application file for complete search history.

(56) **References Cited**

U.S. PATENT DOCUMENTS

D224,691 S * 8/1972 Duern et al. D26/107
D226,324 S * 2/1973 Longato D26/107
D276,083 S * 10/1984 Matthias D26/104

* cited by examiner

Primary Examiner — Brian N. Vinson

(74) *Attorney, Agent, or Firm* — Reising Ethington P.C.

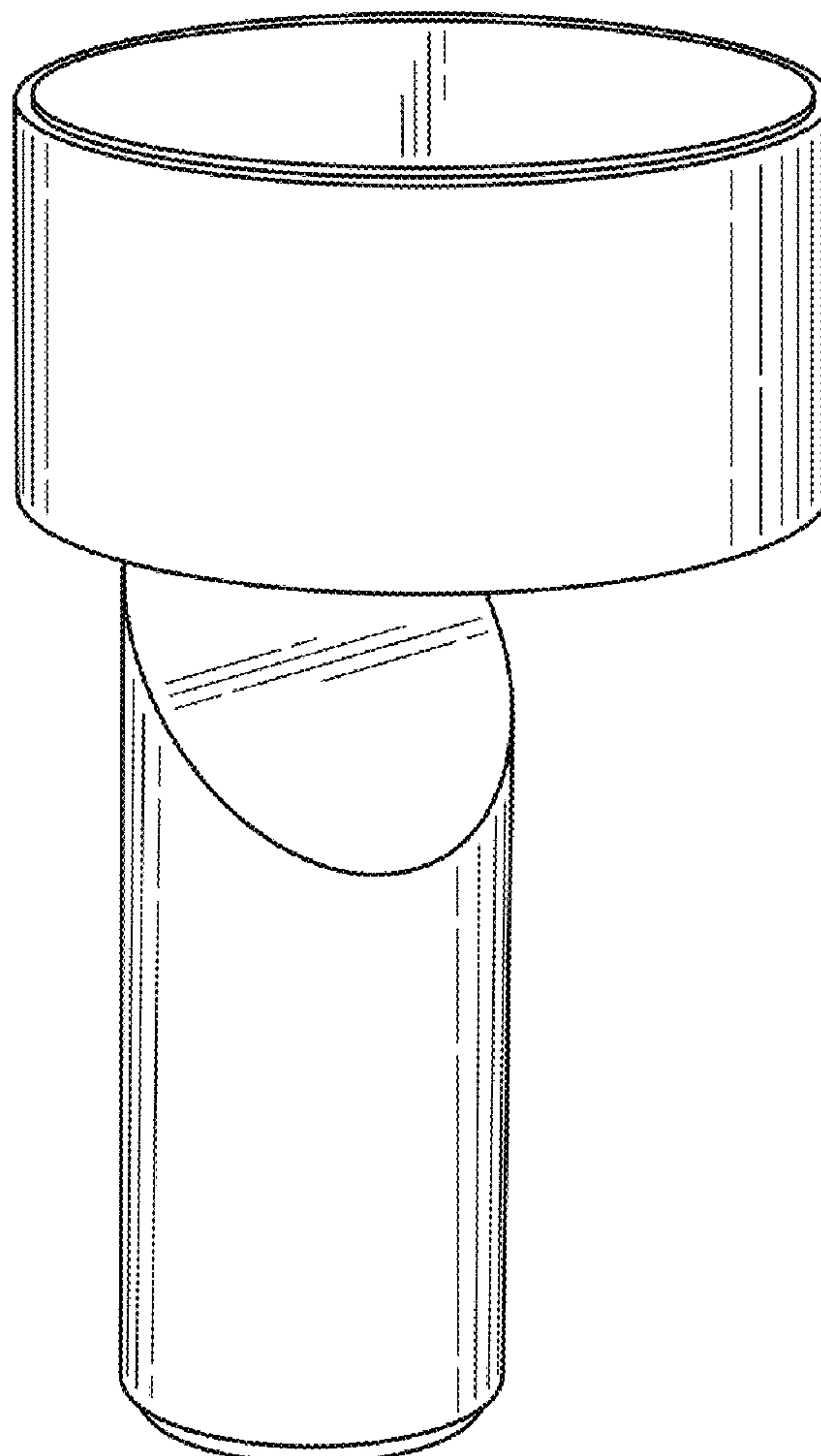
(57) **CLAIM**

The ornamental design for a lamp, as shown and described.

DESCRIPTION

FIG. 1 is a perspective view of the lamp;
FIG. 2 is a front view of the lamp;
FIG. 3 is a rear view of the lamp;
FIG. 4 is a top view of the lamp;
FIG. 5 is a bottom view of the lamp;
FIG. 6 is a left side view of the lamp; and,
FIG. 7 is a right side view of the lamp.

1 Claim, 2 Drawing Sheets



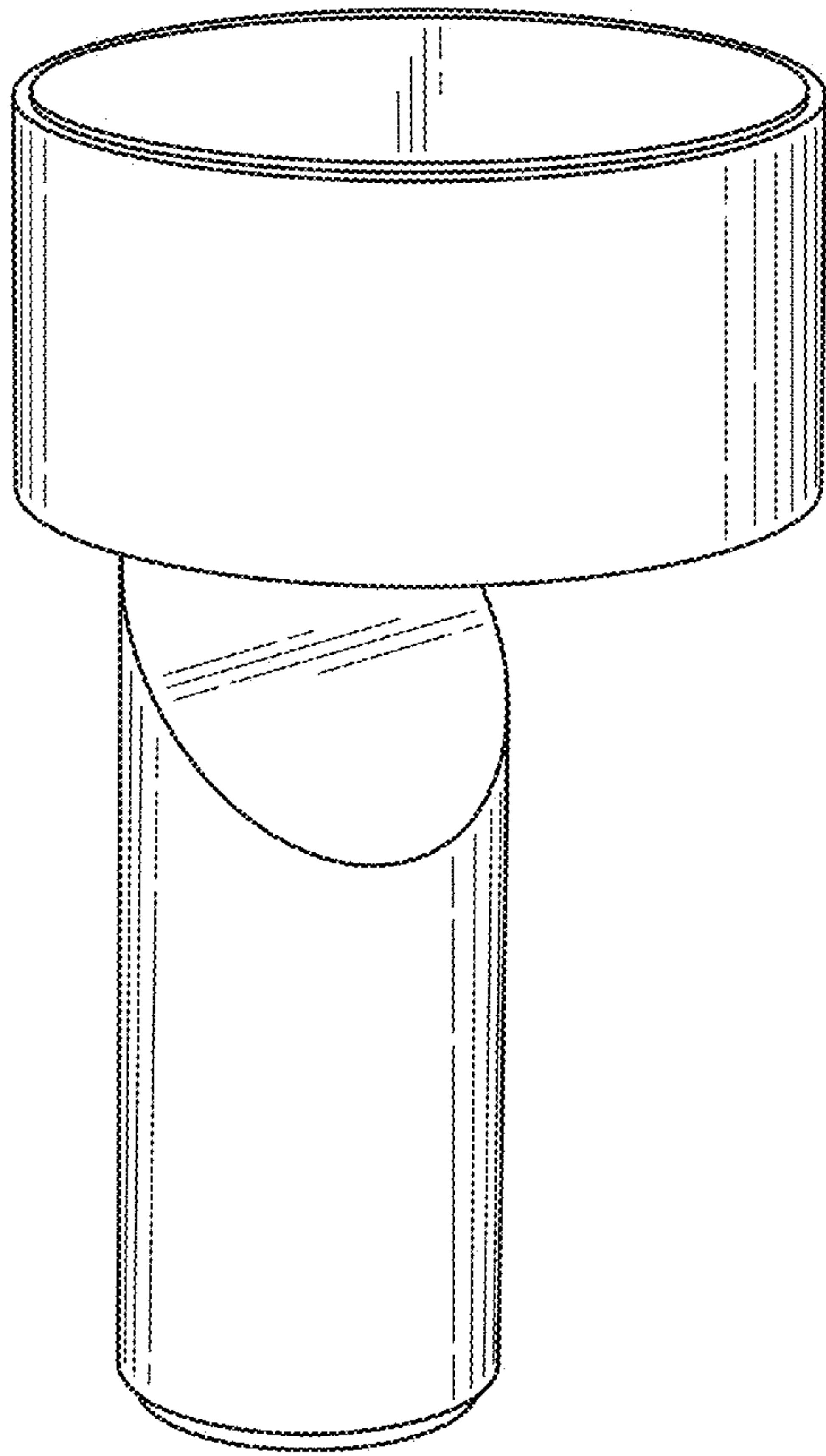


FIG. 1

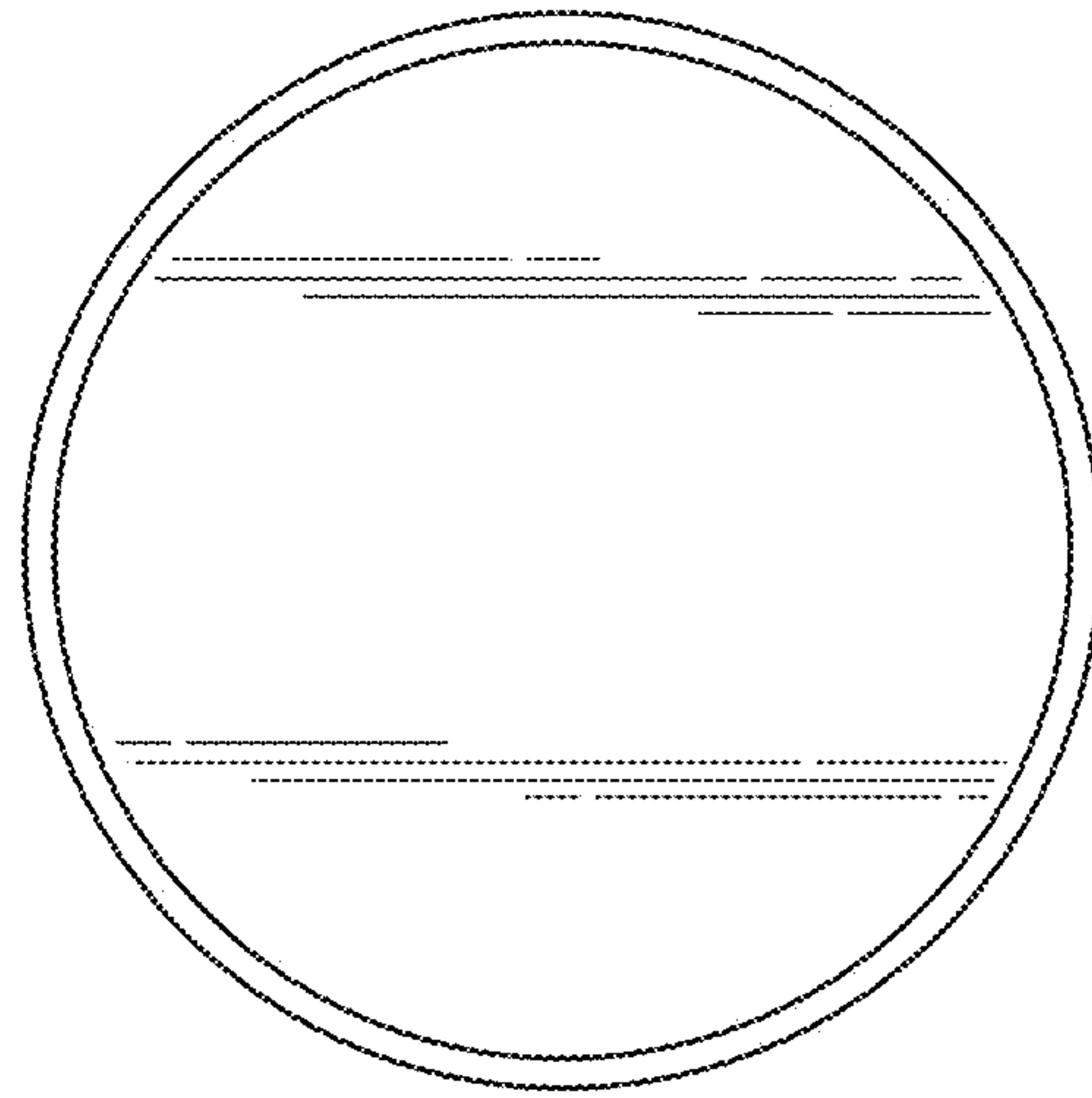


FIG. 4



FIG. 2

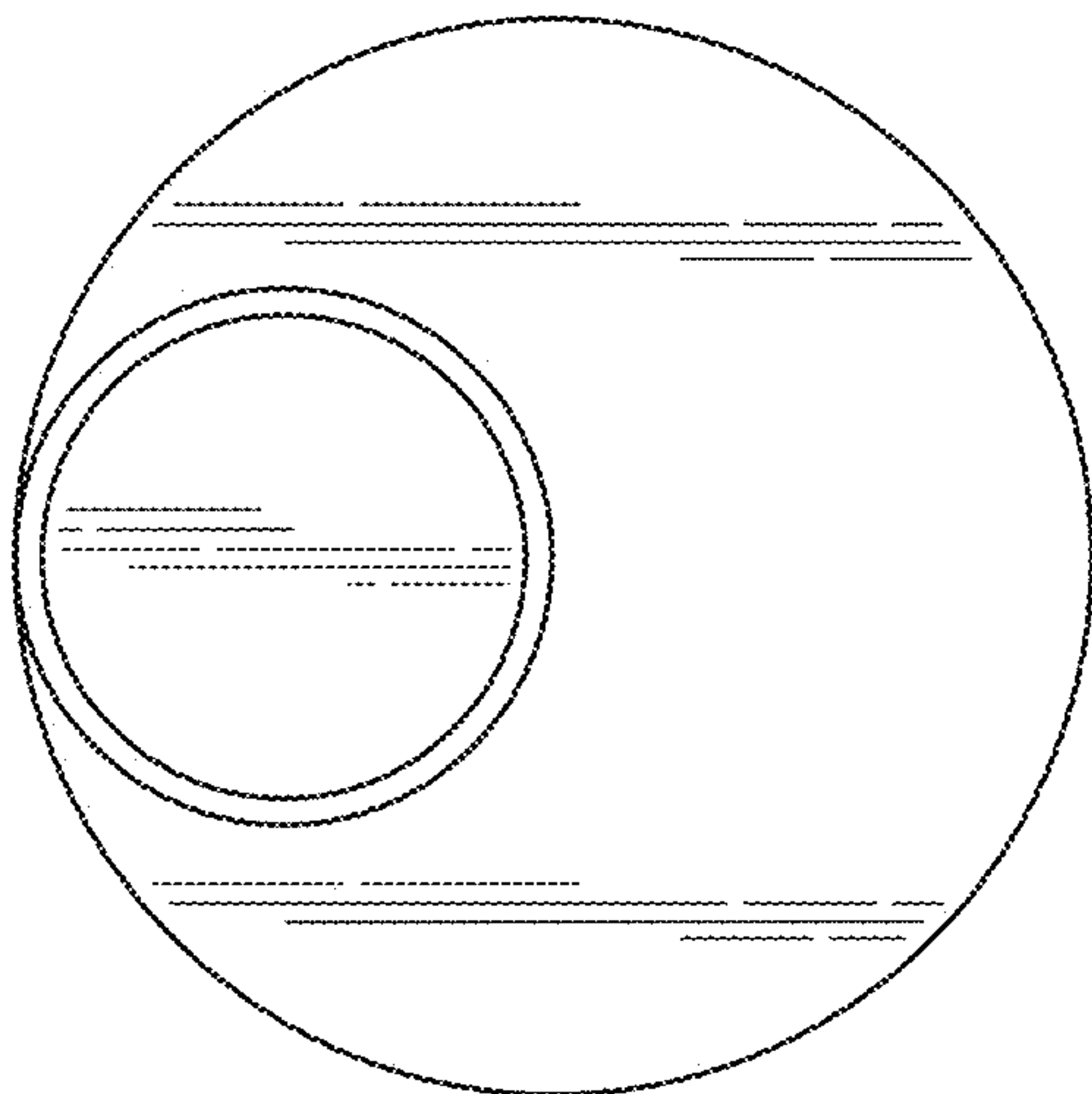


FIG. 5



FIG. 3

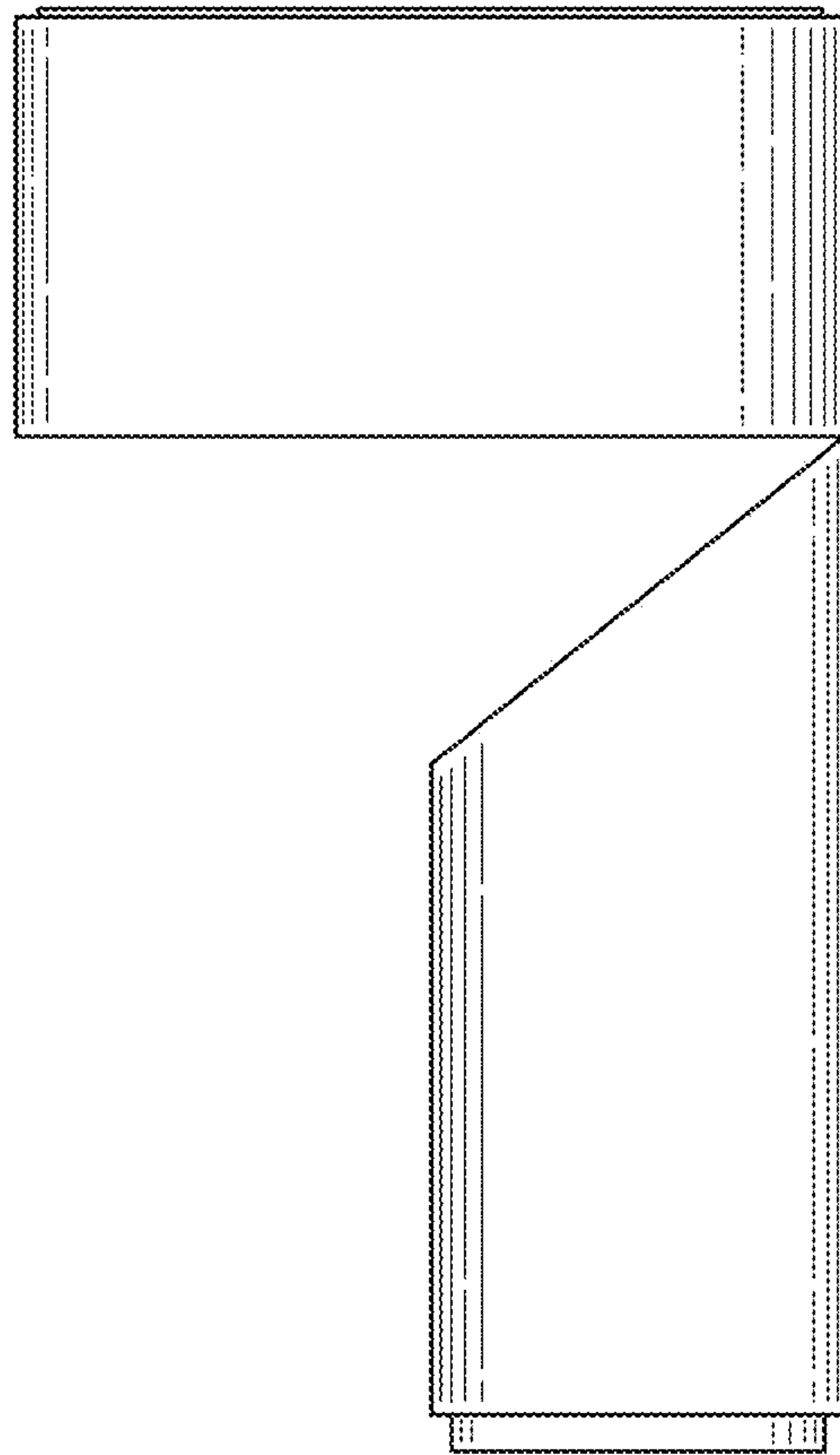
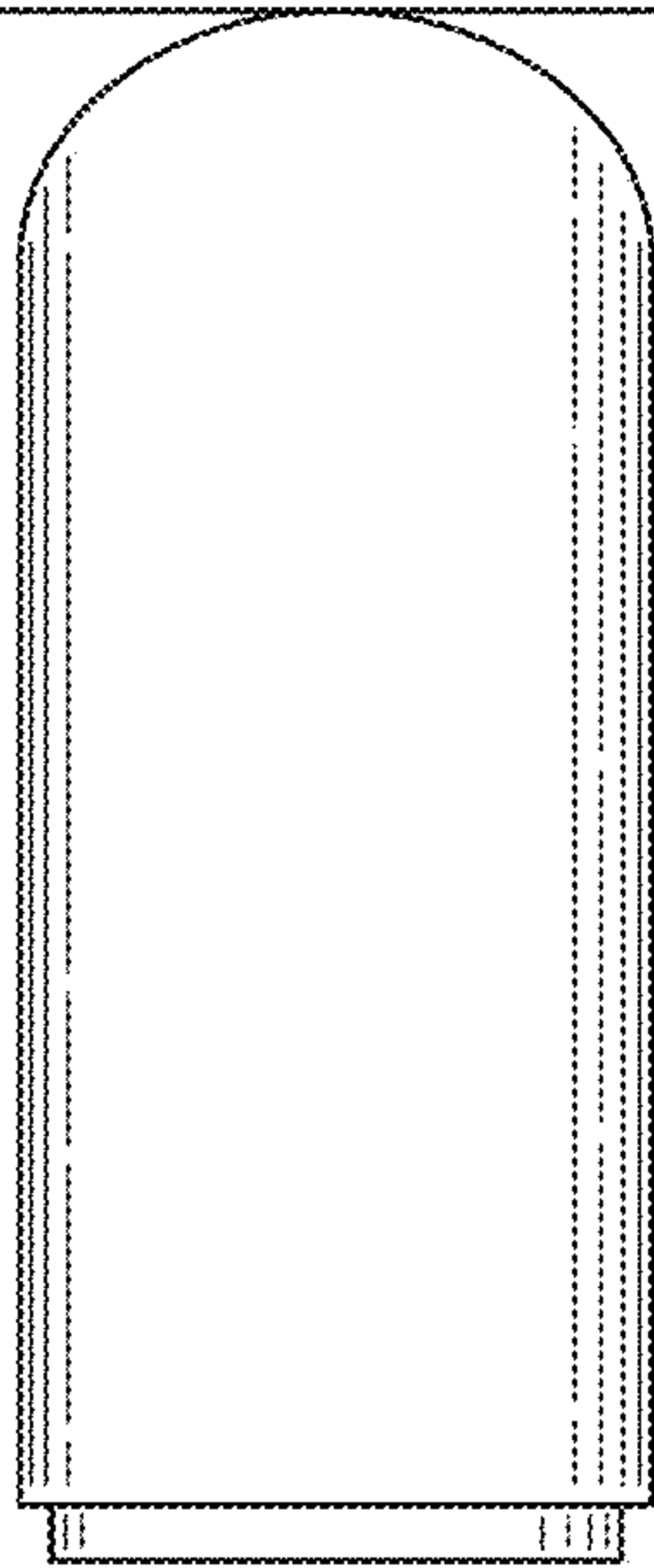


FIG. 7

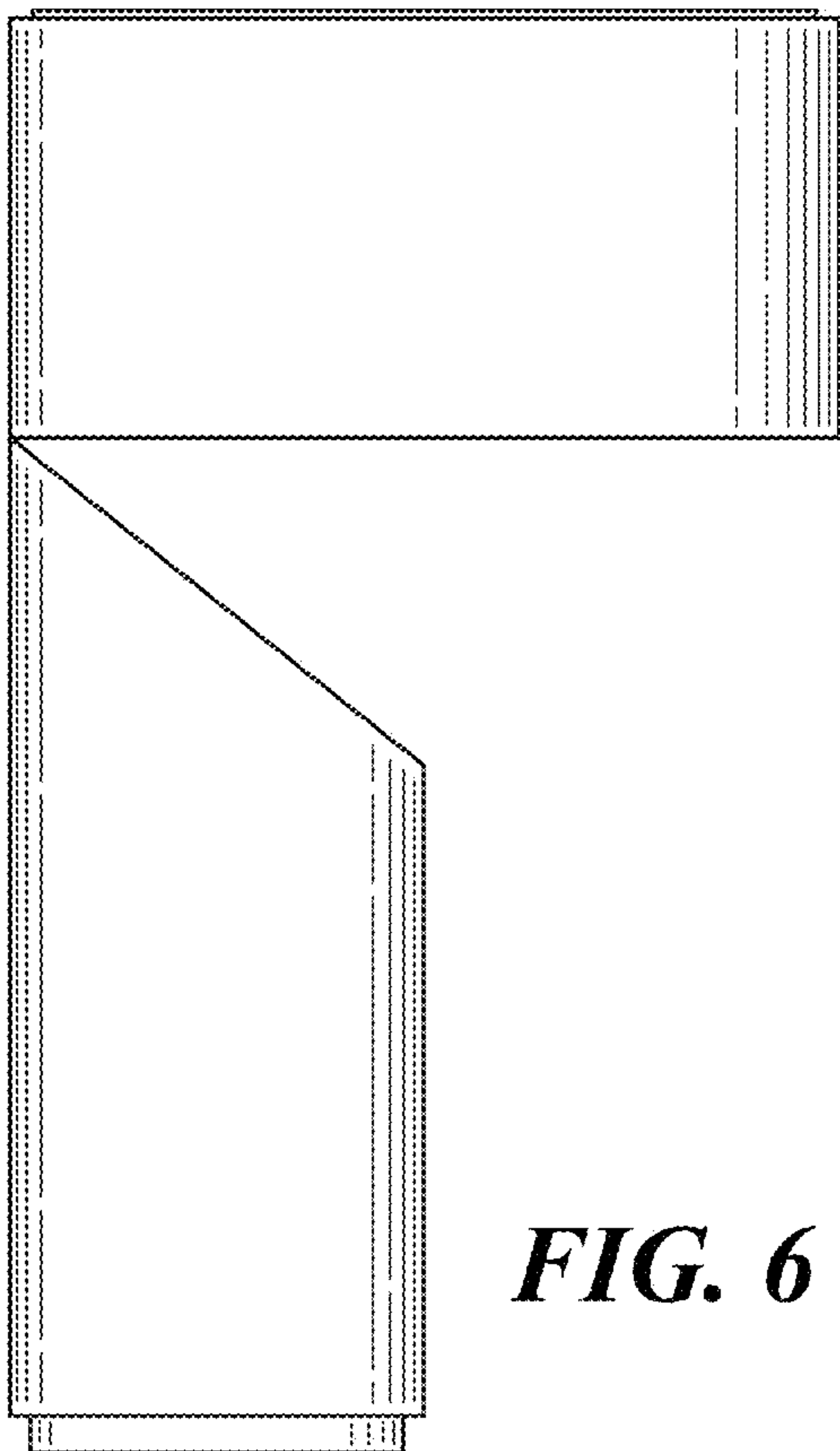


FIG. 6