



US00D877397S

(12) **United States Design Patent**  
**Ventura Conesa**

(10) **Patent No.:** **US D877,397 S**  
(45) **Date of Patent:** **\*\* Mar. 3, 2020**

(54) **LUMINAIRE**  
(71) Applicant: **Sergi Ventura Conesa**, Banyoles (ES)  
(72) Inventor: **Sergi Ventura Conesa**, Banyoles (ES)  
(\*\*) Term: **15 Years**  
(21) Appl. No.: **29/630,078**  
(22) Filed: **Dec. 19, 2017**

6,773,768 B2 \* 8/2004 Weiser ..... A63H 33/42  
248/160  
6,974,228 B2 \* 12/2005 Weiser ..... F21V 21/0824  
362/124  
D534,834 S \* 1/2007 Weiser ..... D11/162  
D539,363 S \* 3/2007 Weiser ..... D11/162  
D548,021 S \* 8/2007 Raia ..... D21/606  
D564,048 S \* 3/2008 Sato ..... D21/584  
D590,095 S \* 4/2009 Toomey ..... D26/98  
D652,765 S \* 1/2012 Conley ..... D11/162  
D786,734 S \* 5/2017 Weiser ..... D11/162

\* cited by examiner

(30) **Foreign Application Priority Data**

Jun. 21, 2017 (EP) ..... 004059681  
(51) **LOC (12) Cl.** ..... **26-03**  
(52) **U.S. Cl.**  
USPC ..... **D26/98**  
(58) **Field of Classification Search**  
USPC ..... D26/93, 98; D11/158, 162; D21/576,  
D21/579, 584, 606  
CPC . F21S 6/002; F21W 2101/00; F21W 2121/00;  
F21W 2131/30; F21V 21/0824; A63H  
33/42  
See application file for complete search history.

*Primary Examiner* — Brian N. Vinson  
(74) *Attorney, Agent, or Firm* — Blue Filament Law  
PLLC

(57) **CLAIM**

The ornamental design for a luminaire, as shown and described.

**DESCRIPTION**

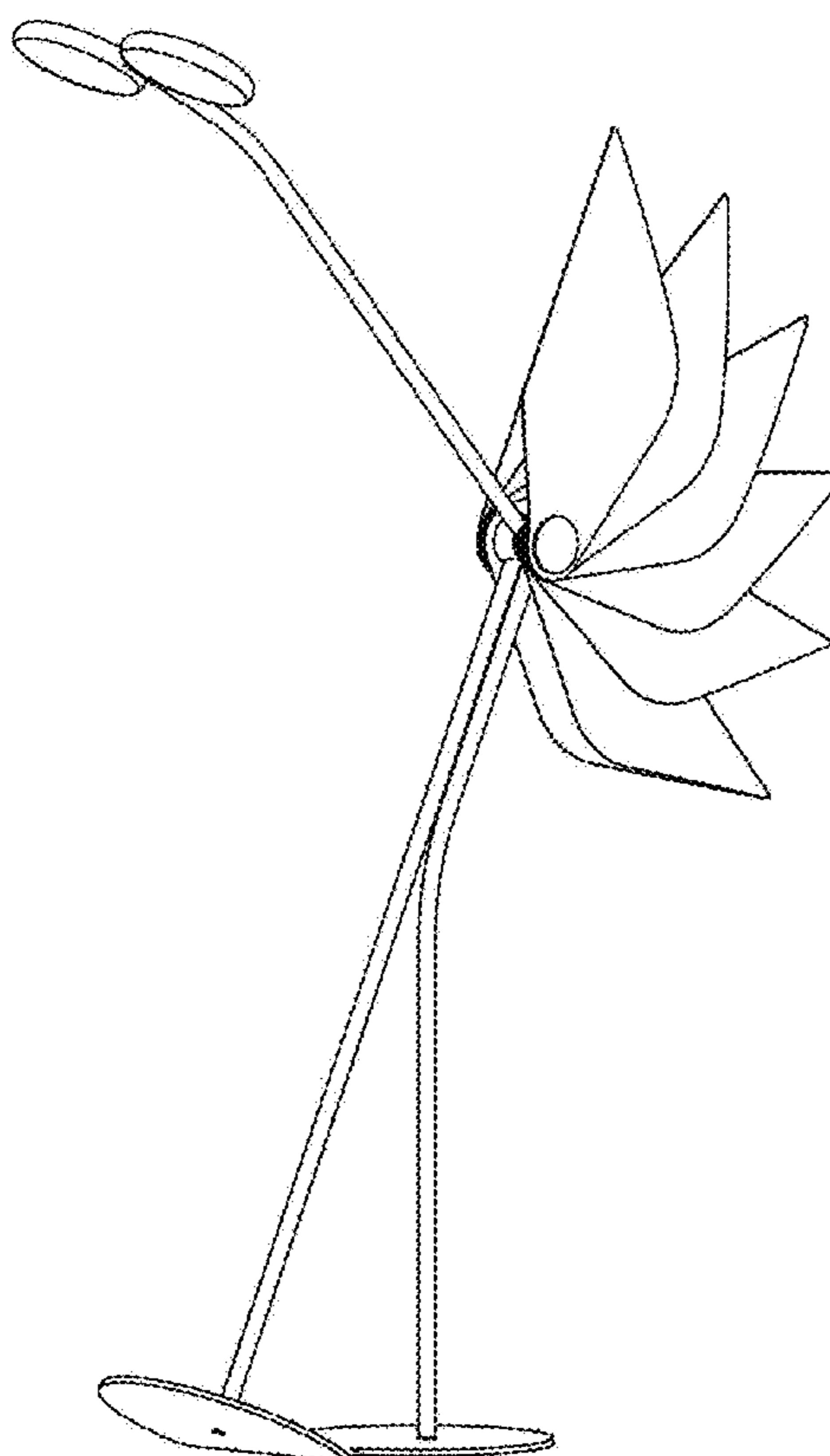
FIG. 1 is a front view of a luminaire showing my new design;  
FIG. 2 is a top view thereof;  
FIG. 3 is a left side view thereof, where the right side view is a mirror image of FIG. 3;  
FIG. 4 is a back view thereof;  
FIG. 5 is a bottom view thereof;  
FIG. 6 is a front perspective view thereof; and,  
FIG. 7 is a back perspective view thereof.

(56) **References Cited**

U.S. PATENT DOCUMENTS

D147,378 S \* 8/1947 Rouse ..... D21/606  
D249,170 S \* 8/1978 Enns ..... D21/606  
D455,674 S \* 4/2002 Ancona ..... D11/162

**1 Claim, 7 Drawing Sheets**



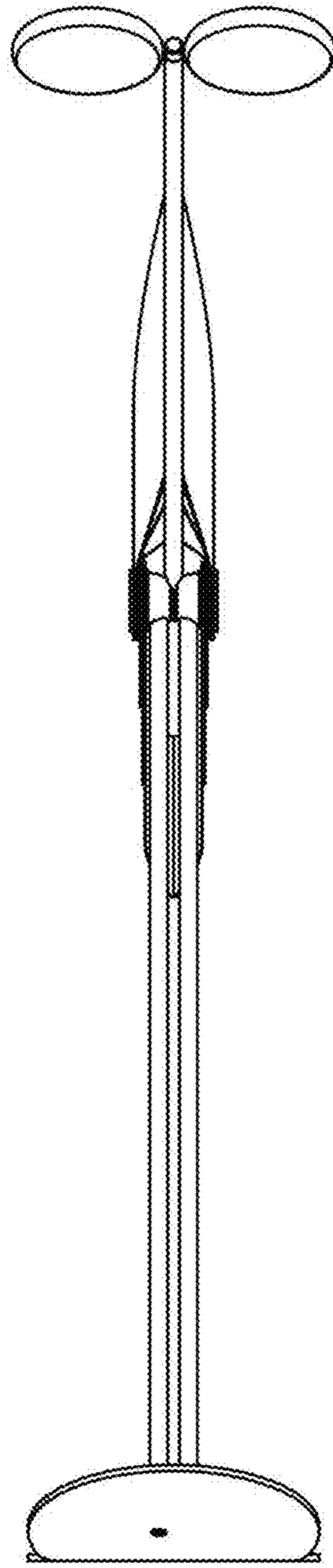


FIG. 1

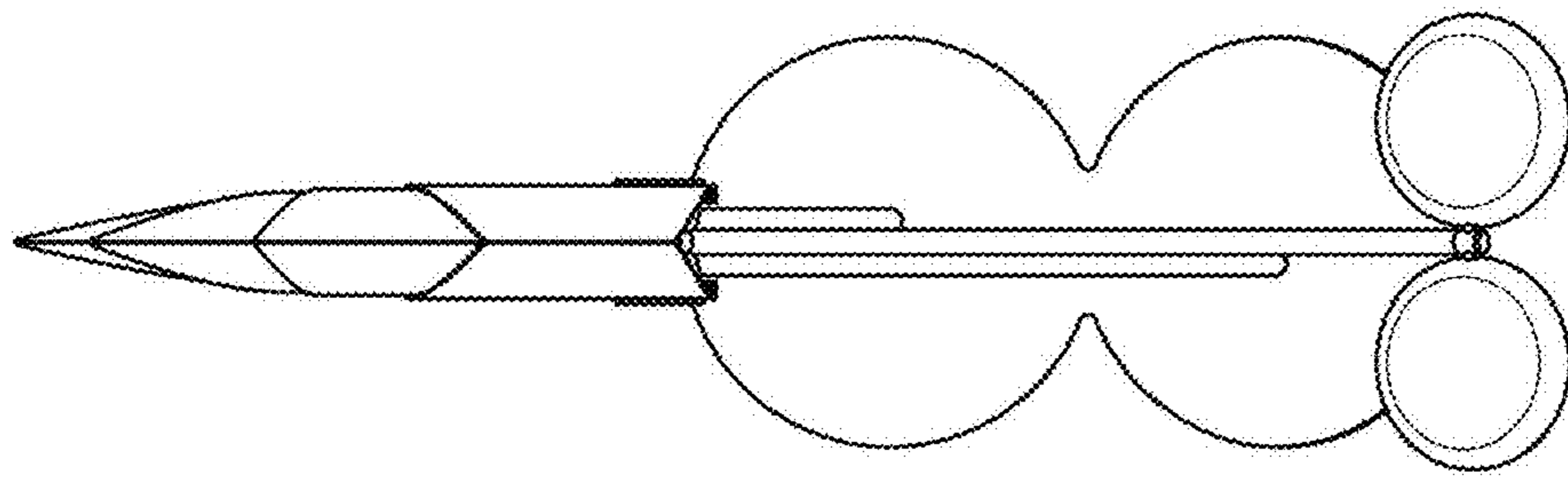


FIG. 2

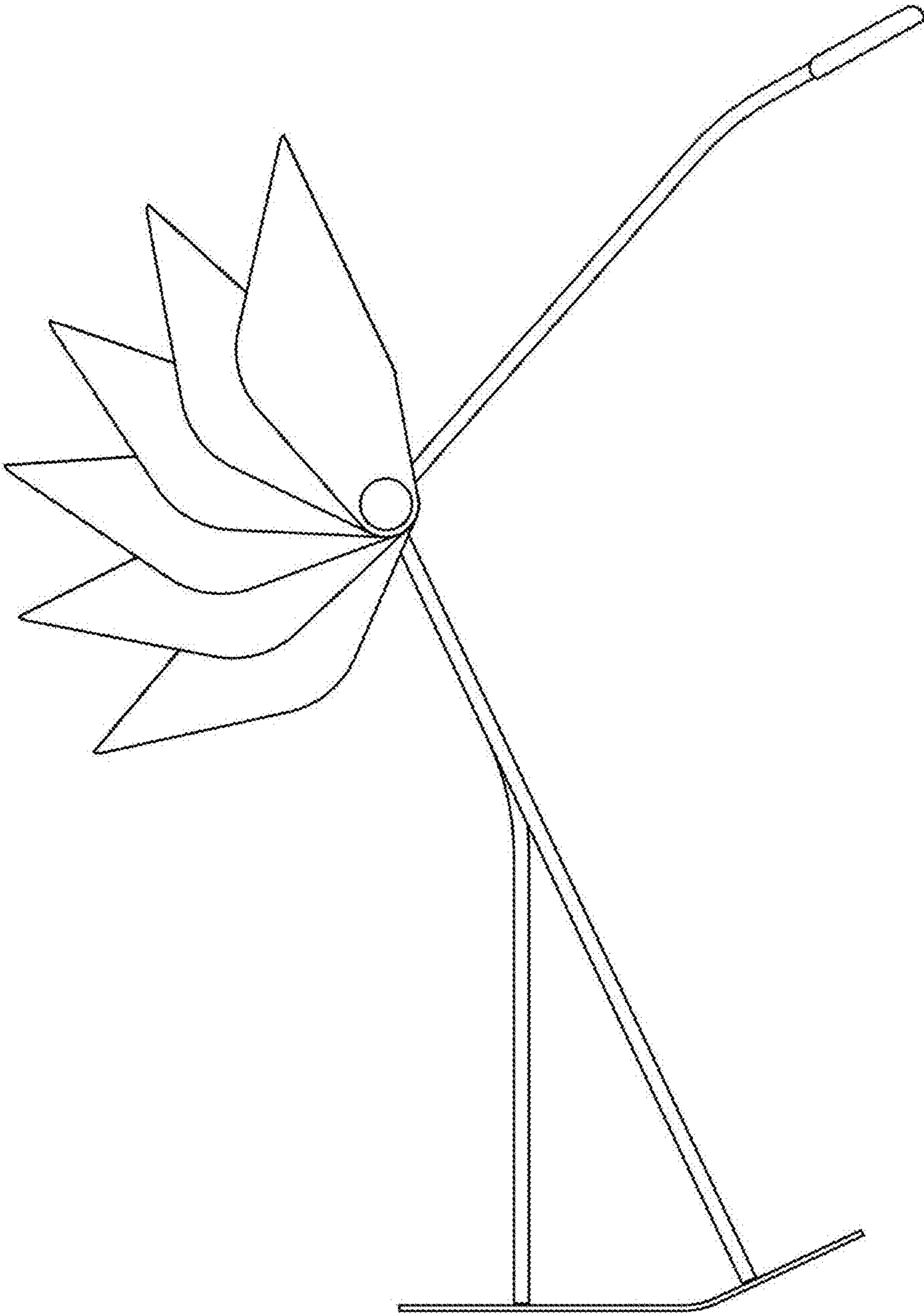


FIG. 3

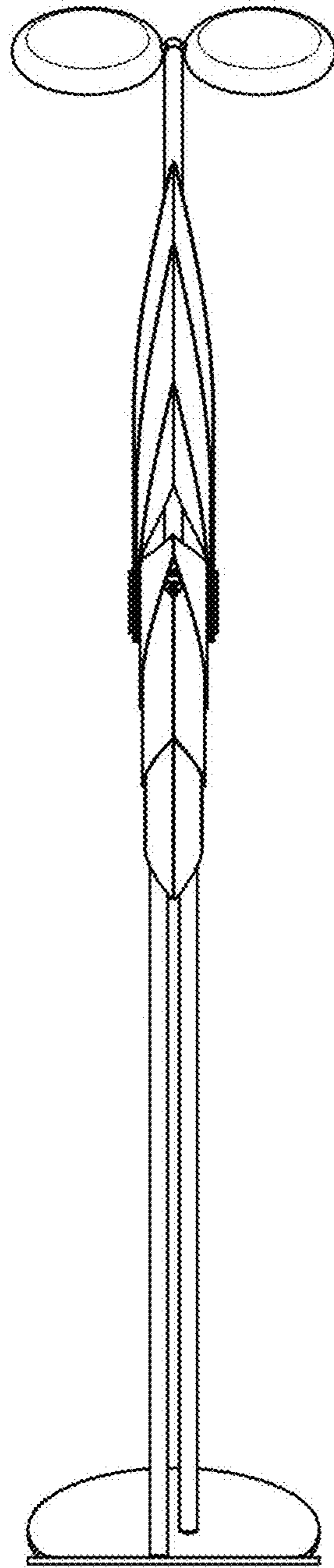


FIG. 4

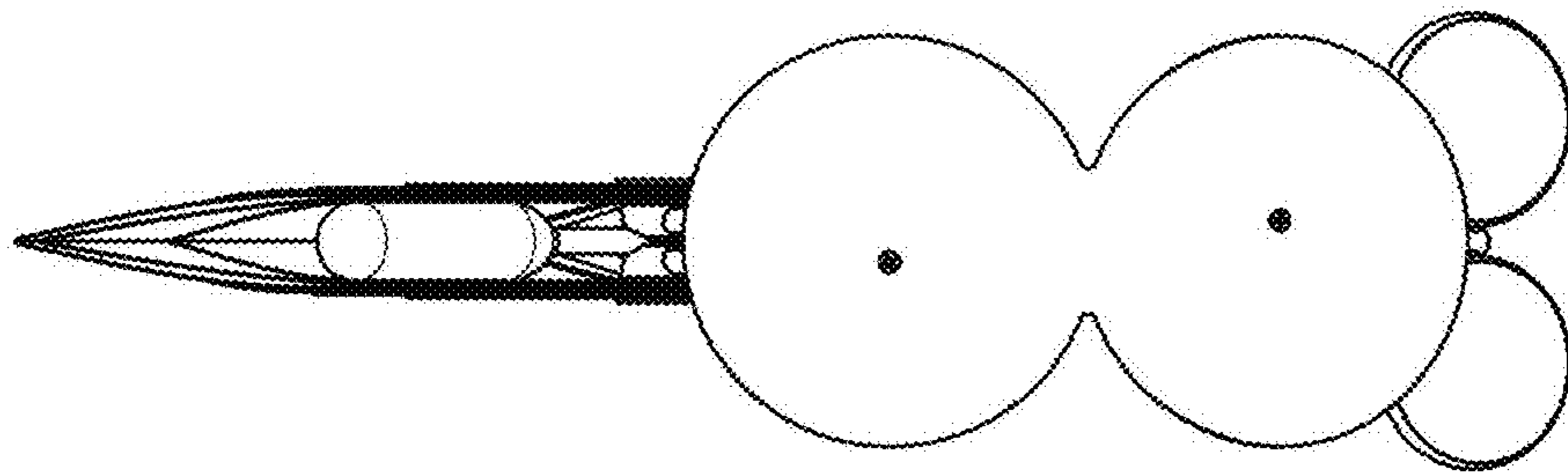


FIG. 5

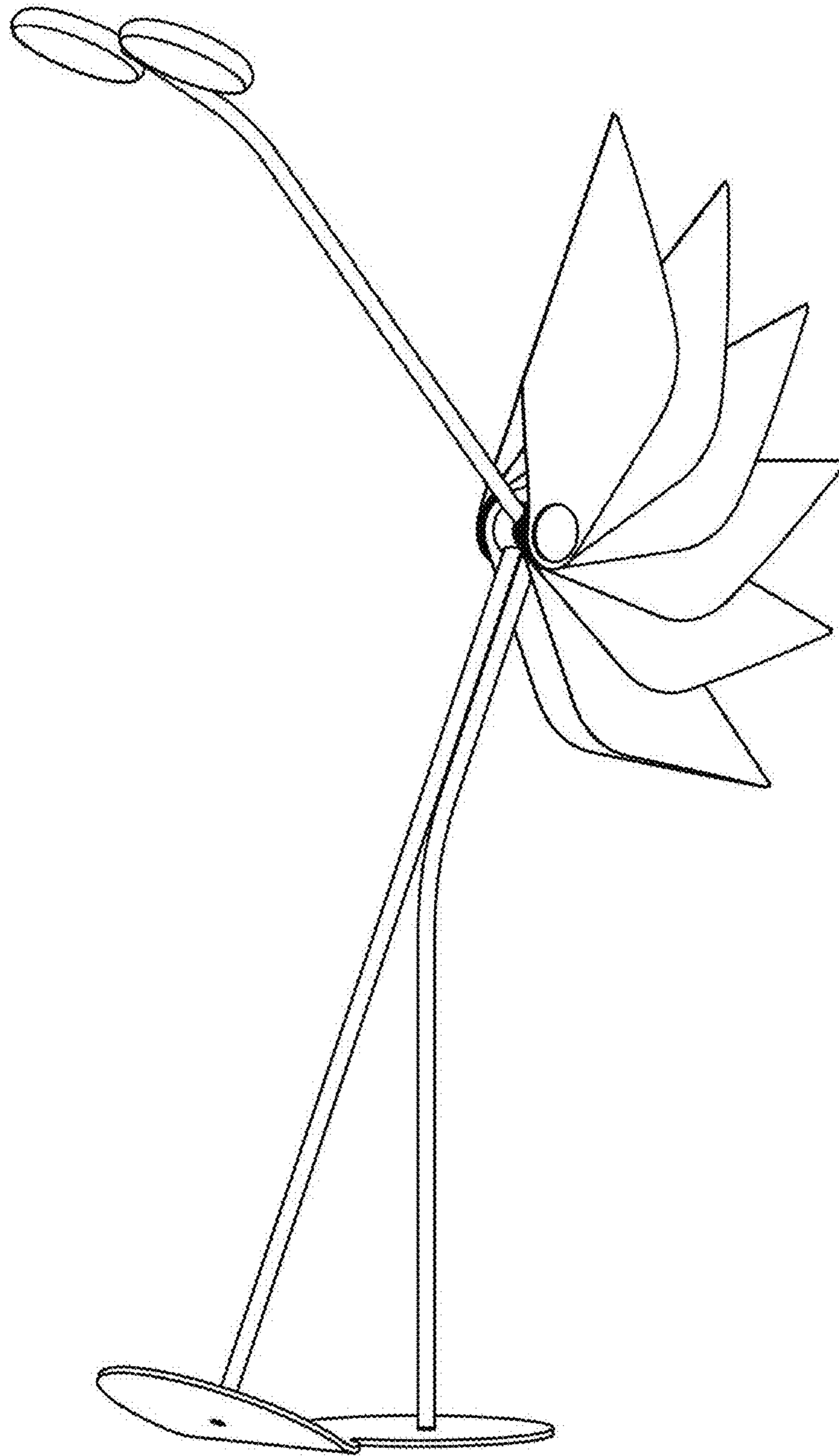


FIG. 6

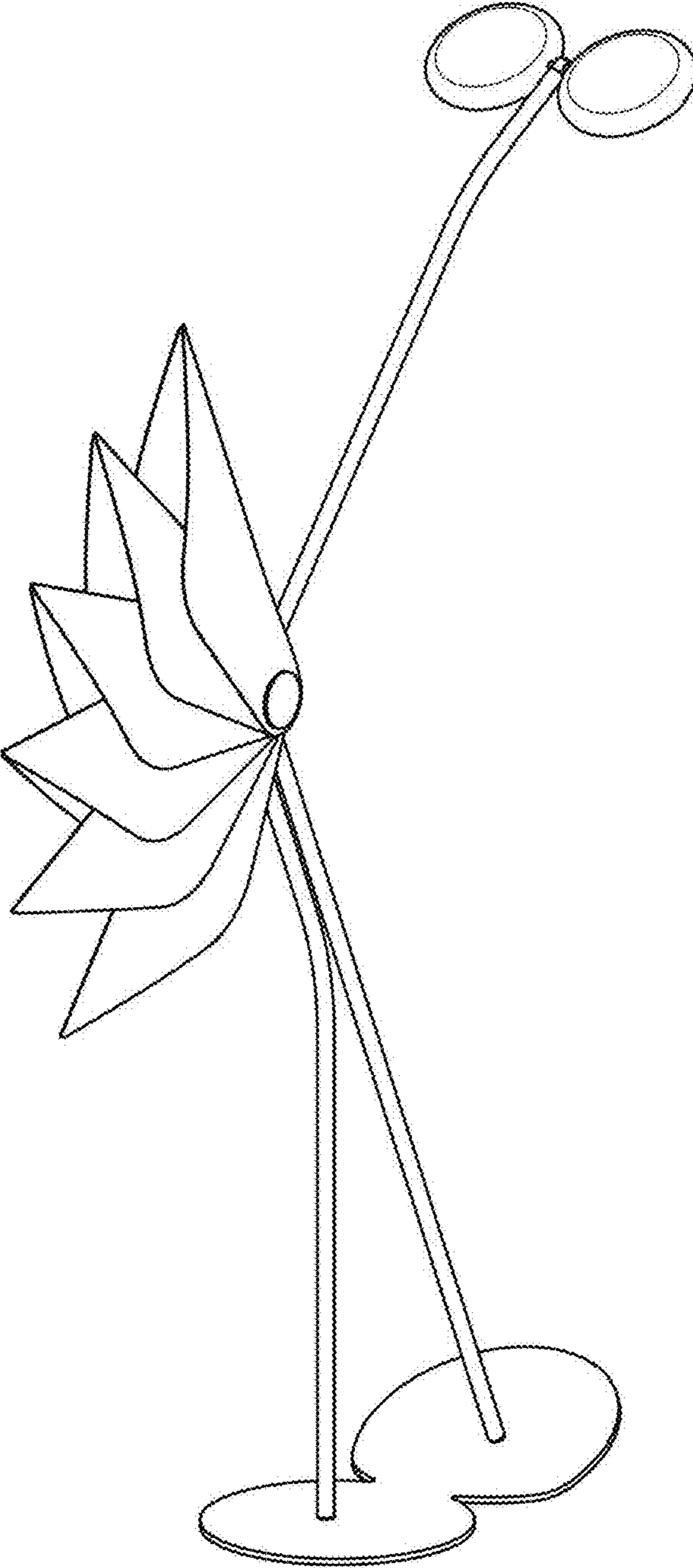


FIG. 7