



US00D877394S

(12) **United States Design Patent**
Amato et al.

(10) **Patent No.:** **US D877,394 S**
(45) **Date of Patent:** **** *Mar. 3, 2020**

(54) **LIGHTING FIXTURE**

- (71) Applicant: **The Urban Electric Company**, North Charleston, SC (US)
- (72) Inventors: **Michael Amato**, London (GB); **David Dawson**, Charleston, SC (US); **Jonathan Charpia**, Summerville, SC (US); **Joeangel Casanova**, North Charleston, SC (US); **Christopher Roof**, Charleston, SC (US); **Brianna Magagnoli**, North Charleston, SC (US); **Janis Golubeckis**, Mount Pleasant, SC (US)
- (73) Assignee: **The Urban Electric Company**, North Charleston, SC (US)
- (*) Notice: This patent is subject to a terminal disclaimer.
- (**) Term: **15 Years**
- (21) Appl. No.: **29/662,654**
- (22) Filed: **Sep. 7, 2018**

Related U.S. Application Data

- (63) Continuation-in-part of application No. 29/586,776, filed on Dec. 7, 2016, now Pat. No. Des. 831,262.
- (51) **LOC (12) Cl.** **26-03**
- (52) **U.S. Cl.**
USPC **D26/88; D26/89; D26/90**
- (58) **Field of Classification Search**
USPC D26/80-86, 88-91, 118
CPC F21S 8/04; F21S 8/043; F21S 8/046; F21S 8/061; F21S 8/063; F21S 8/065
See application file for complete search history.

(56) **References Cited**

U.S. PATENT DOCUMENTS

- D204,793 S * 5/1966 Rodriguez D26/63
- D206,454 S * 12/1966 Rosen D26/80

- D240,653 S * 7/1976 Eftekhar D26/80
- D603,083 S * 10/2009 Trumble D26/90
- D619,294 S * 7/2010 Sabernig D26/93
- D648,888 S * 11/2011 Spoth D26/88
- D670,420 S * 11/2012 Hui D26/51
- D760,420 S * 6/2016 Tomlinson D26/81

(Continued)

OTHER PUBLICATIONS

Laguna LED Outdoor Flushmount by Justice Design Group. From lumens.com visited Nov. 18, 2019. (Year: 2019).*

(Continued)

Primary Examiner — Clare E Heffin

(74) *Attorney, Agent, or Firm* — Haynsworth Sinkler Boyd, P.A.

(57) **CLAIM**

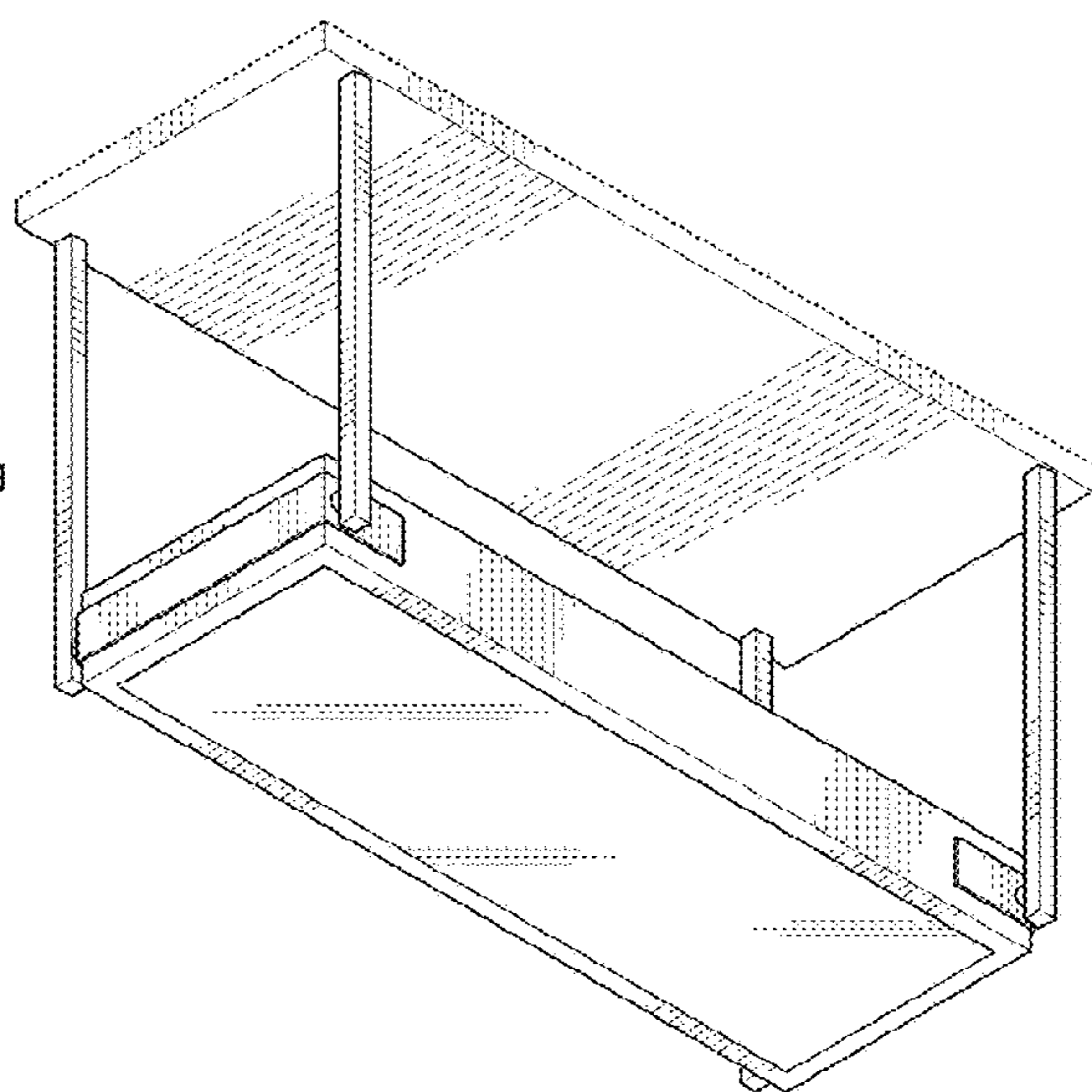
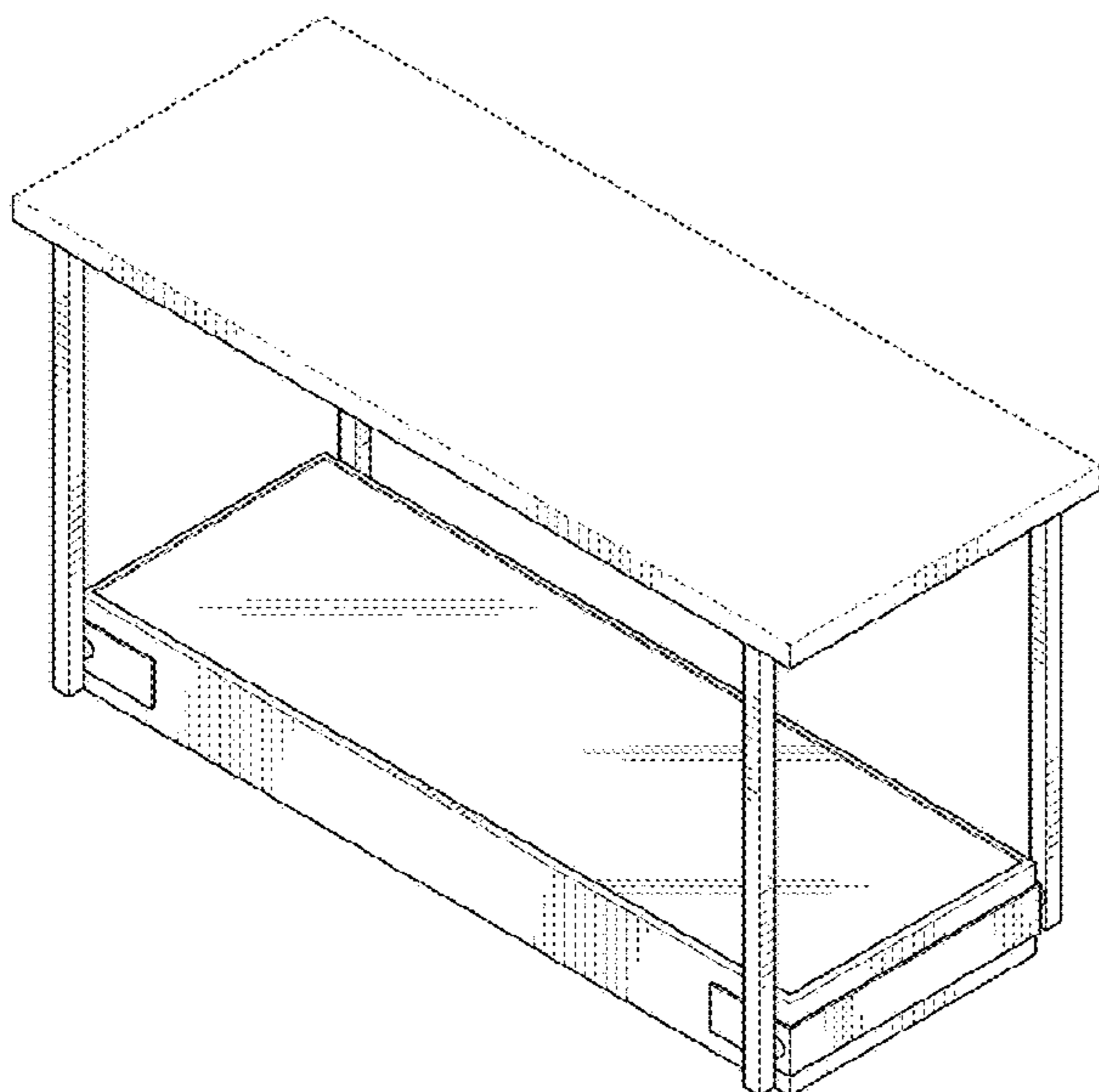
The ornamental design for a lighting fixture, as shown and described.

DESCRIPTION

FIG. 1 is a top perspective view of a lighting fixture depicting a new design;
 FIG. 2 is a bottom perspective view thereof;
 FIG. 3 is a front elevational view thereof;
 FIG. 4 is a back elevational view thereof;
 FIG. 5 is a right elevational view thereof;
 FIG. 6 is a left elevational view thereof;
 FIG. 7 is a top plan view thereof; and,
 FIG. 8 is a bottom plan view thereof.

The horizontal broken lines extending out beyond the perimeter of the top surface of the fixture in FIGS. 3-6 is intended to demonstrate environment only and forms no part of the claimed design. The remaining broken line disclosure in the views represents portions of the lighting fixture that form no part of the claimed design.

1 Claim, 6 Drawing Sheets



(56)

References Cited

U.S. PATENT DOCUMENTS

D831,262 S * 10/2018 Amato D26/88
D837,435 S * 1/2019 Richardson D26/82

OTHER PUBLICATIONS

Steppe Rectangle Semi Flush Ceiling Light by Hubbardton Forge.
From lightology.com visited Nov. 18, 2019. (Year: 2019).*

* cited by examiner

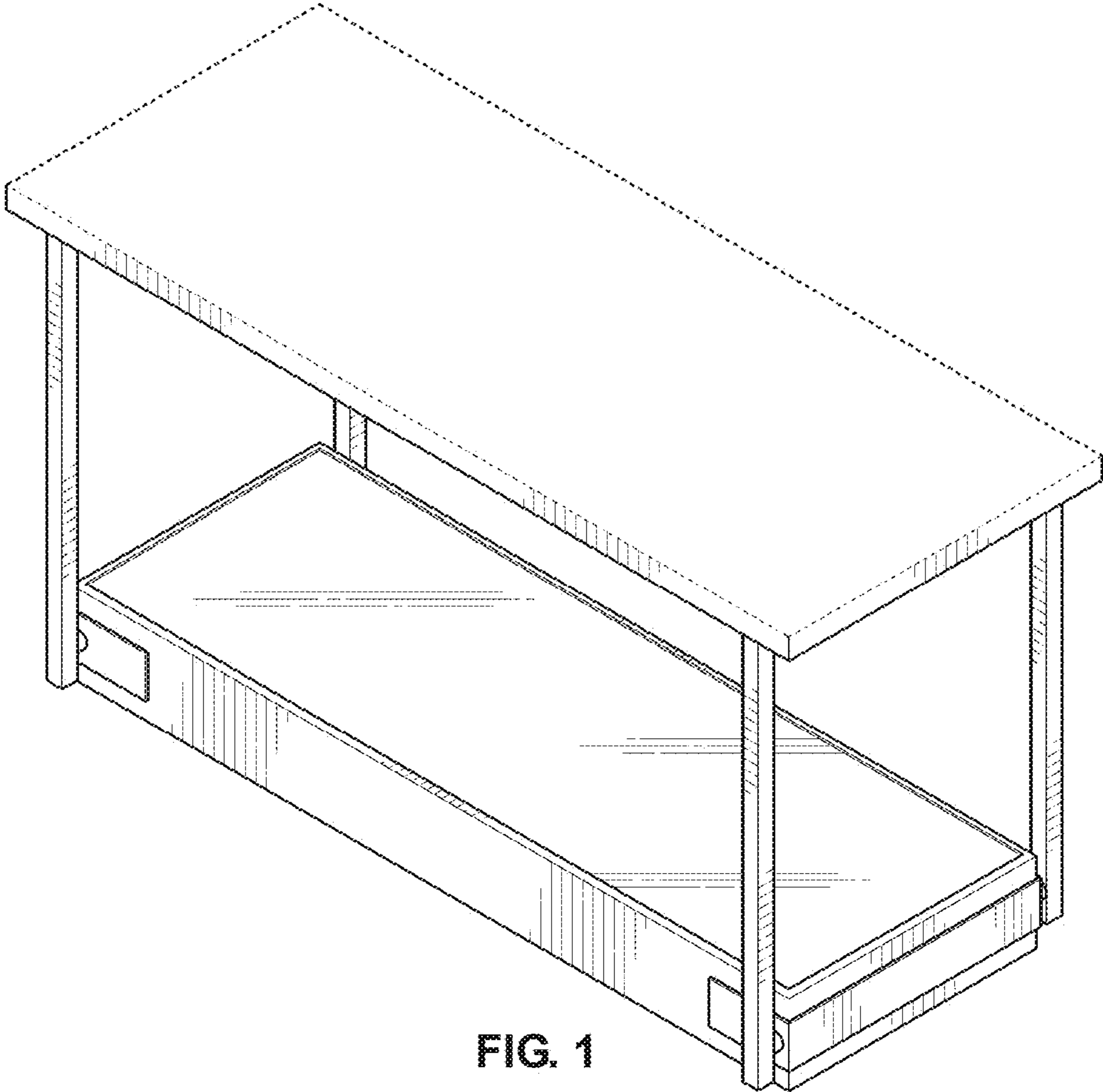


FIG. 1

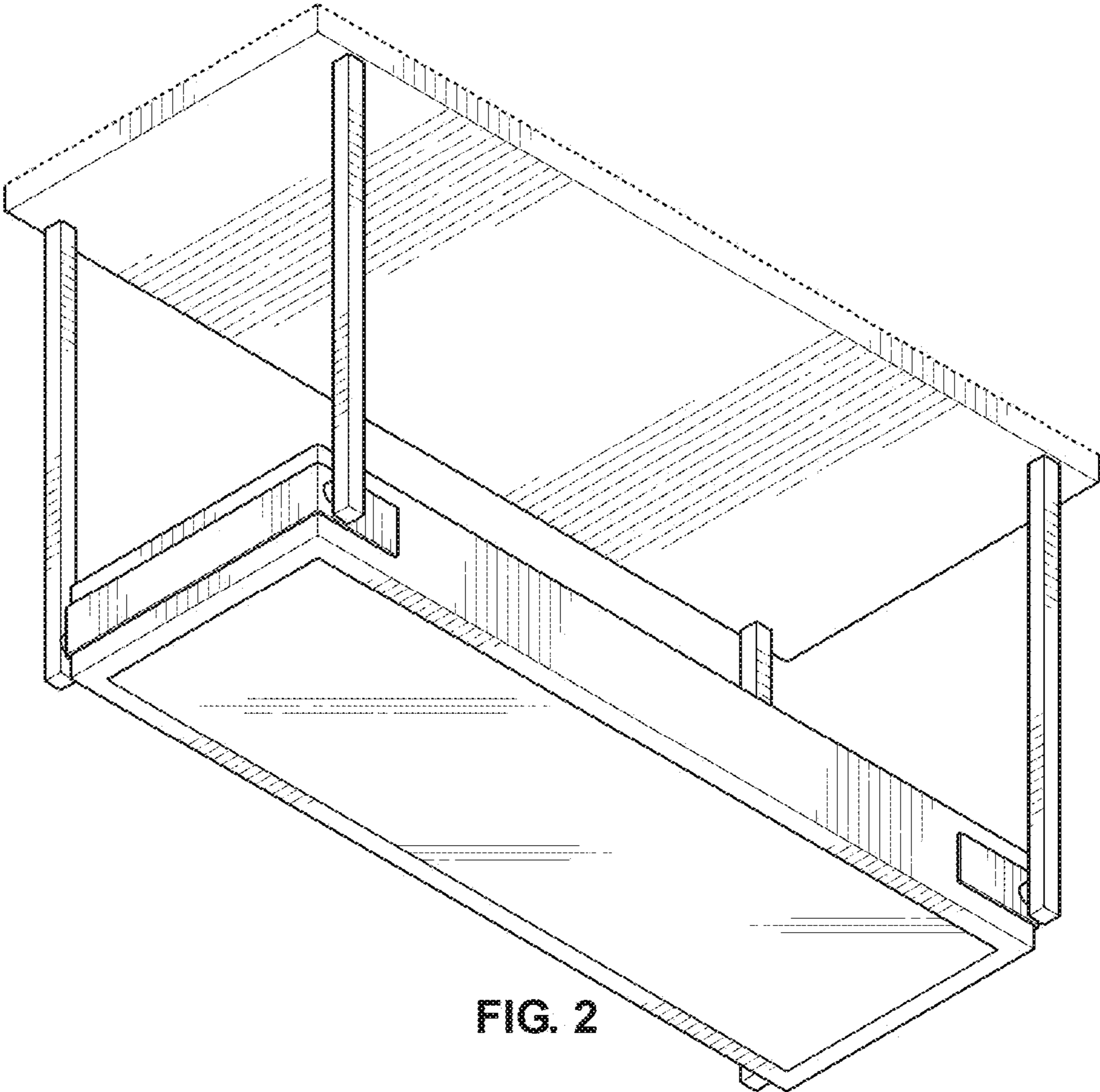


FIG. 2

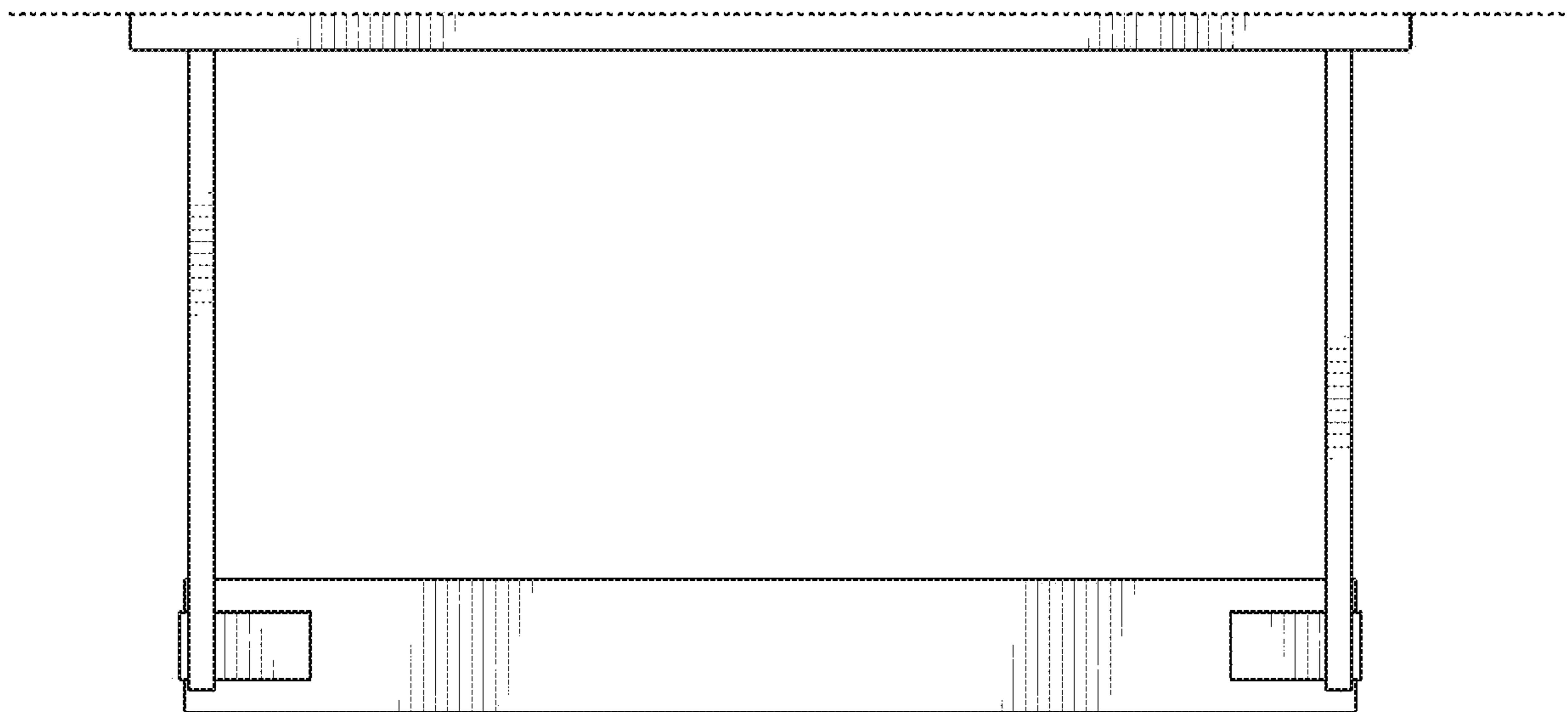


FIG. 3

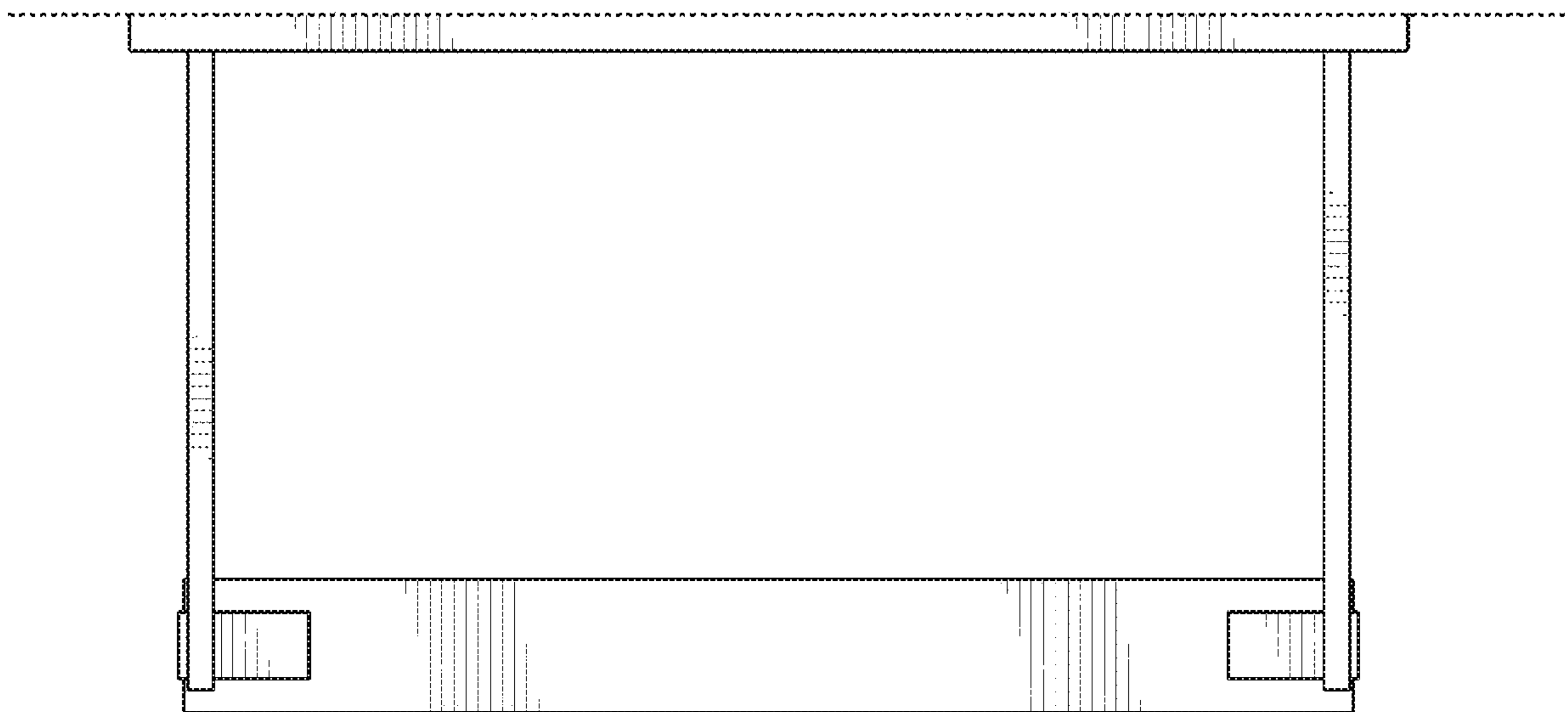


FIG. 4

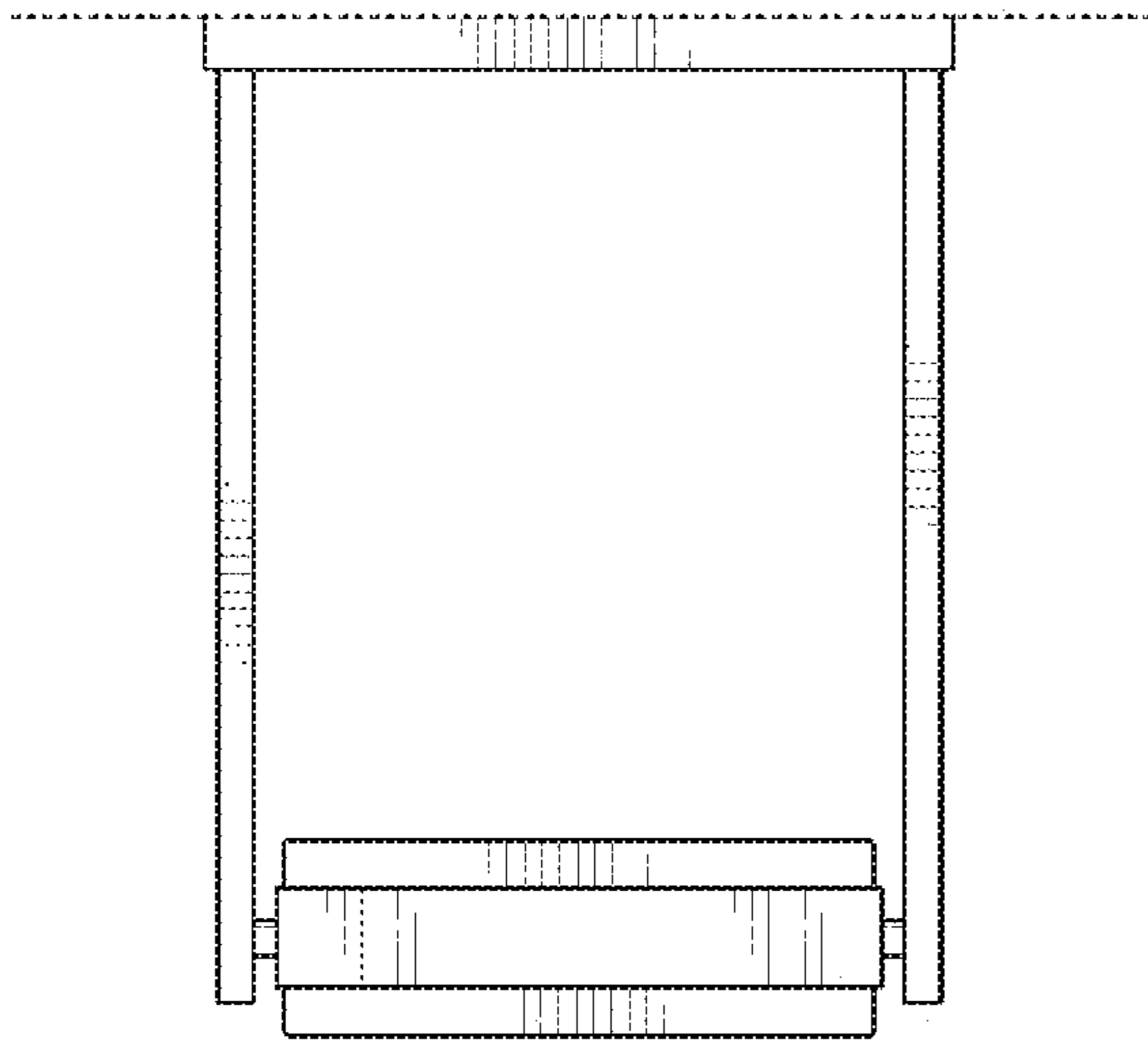


FIG. 5

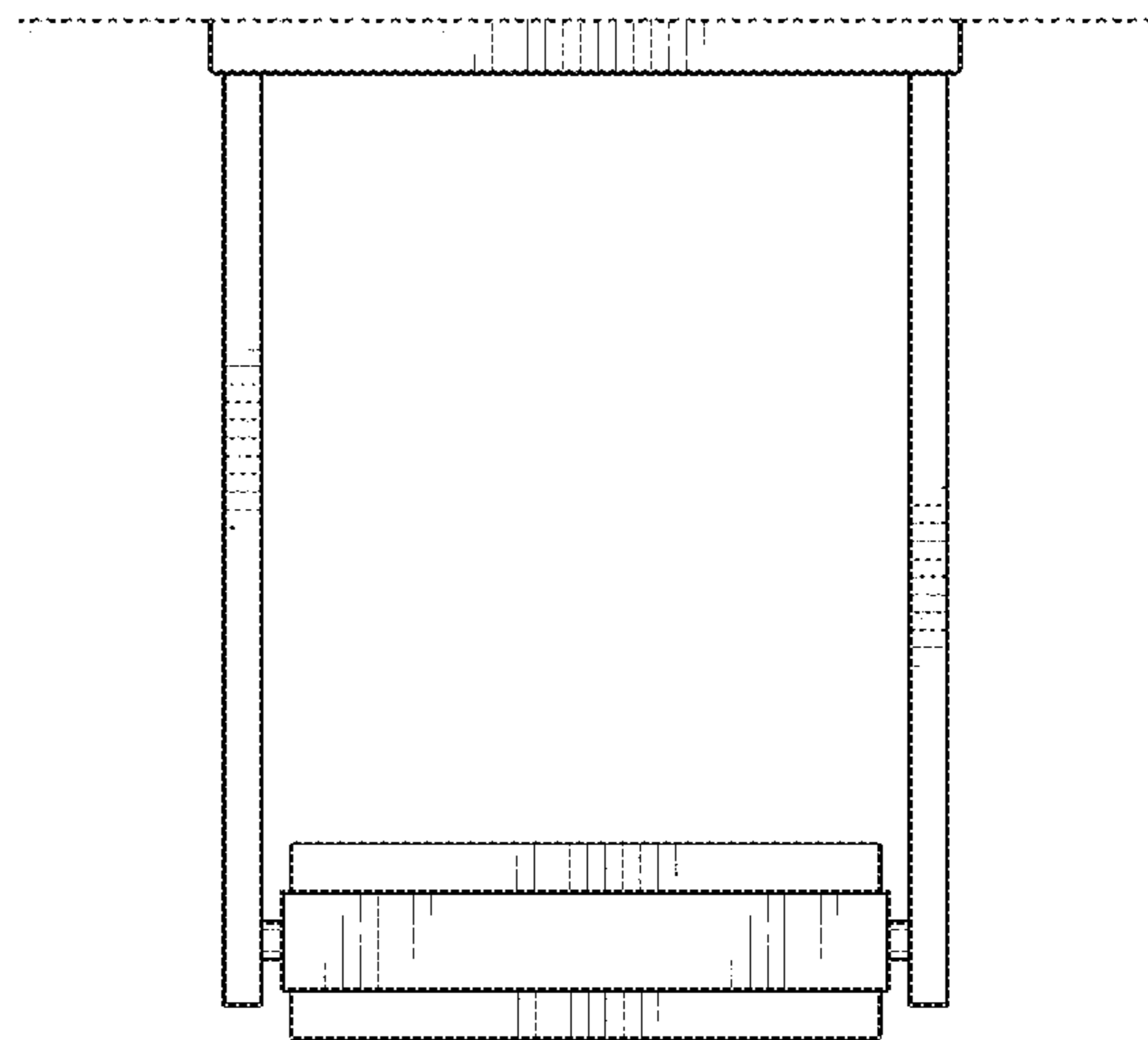


FIG. 6



FIG. 7

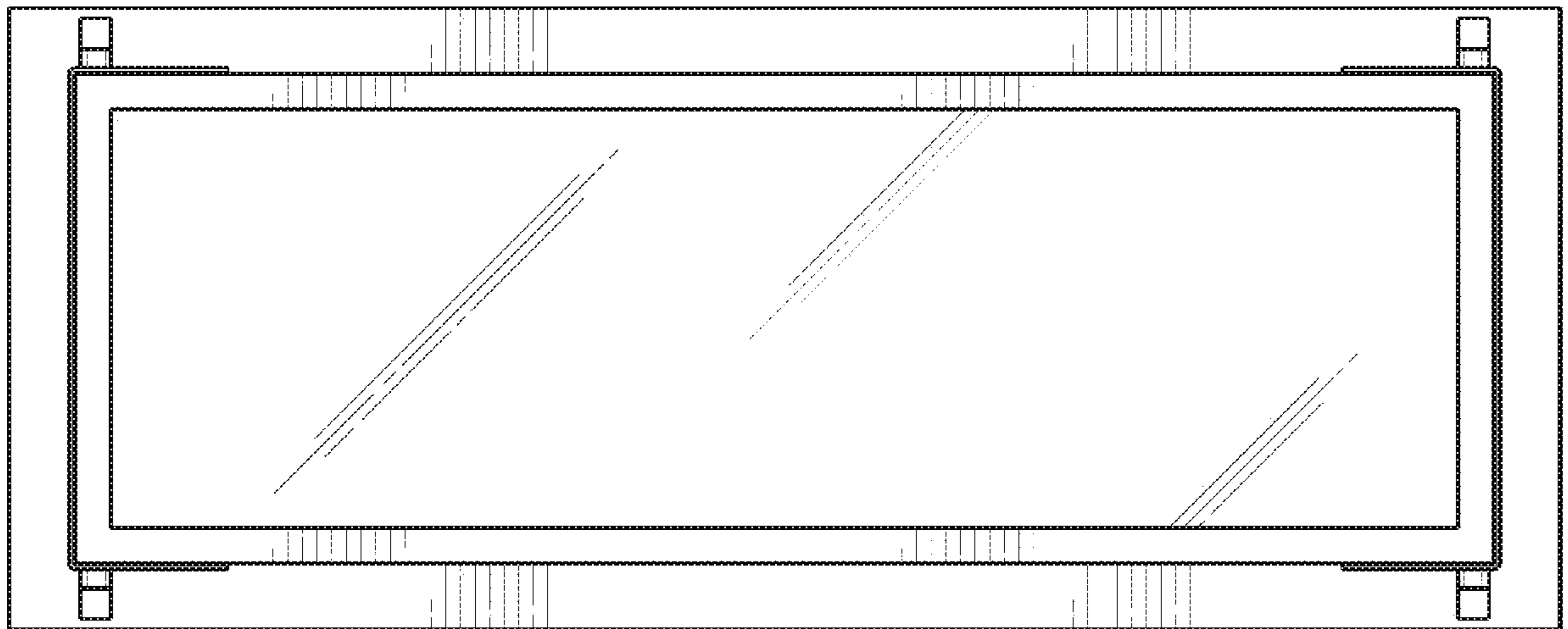


FIG. 8