



US00D877393S

(12) **United States Design Patent**
Yu et al.

(10) **Patent No.:** **US D877,393 S**
(45) **Date of Patent:** **** Mar. 3, 2020**

(54) **HANGING CEILING DUAL-PURPOSE
PANEL LAMP**

(71) Applicant: **Ningbo Ganpe Optoelectronics Co.,
Ltd., Ningbo (CN)**

(72) Inventors: **Xiangjun Yu, Ningbo (CN); Qilin Li,
Ningbo (CN)**

(**) Term: **15 Years**

(21) Appl. No.: **29/653,430**

(22) Filed: **Jun. 14, 2018**

(30) **Foreign Application Priority Data**

Apr. 19, 2018 (CN) 2018 3 0163792

(51) **LOC (12) Cl.** **26-03**

(52) **U.S. Cl.**
USPC **D26/88**

(58) **Field of Classification Search**

USPC D26/72, 81-86, 88-91
CPC F21S 8/04; F21S 8/043; F21S 8/046; F21S
8/06; F21S 8/061; F21S 8/063; F21S
8/065

See application file for complete search history.

(56) **References Cited**

U.S. PATENT DOCUMENTS

D465,872 S * 11/2002 Cacaci D26/90
D779,104 S * 2/2017 Krueckeberg D26/88
D797,982 S * 9/2017 Sonneman D26/88

D861,956 S * 10/2019 Preutz D26/88
2014/0211457 A1 * 7/2014 Tarsa F21S 8/06
362/147
2015/0277030 A1 * 10/2015 Huang F21V 3/04
362/611
2018/0274769 A1 * 9/2018 Vavruskova F21S 8/061
2019/0323668 A1 * 10/2019 Yu F21S 8/04

OTHER PUBLICATIONS

LED Round Suspended Direct/Indirect Projection Panel Light from
warehouse-lighting.com visited Nov. 21, 2019. (Year: 2019).*

* cited by examiner

Primary Examiner — Clare E Heflin

(74) *Attorney, Agent, or Firm* — W&K IP

(57) **CLAIM**

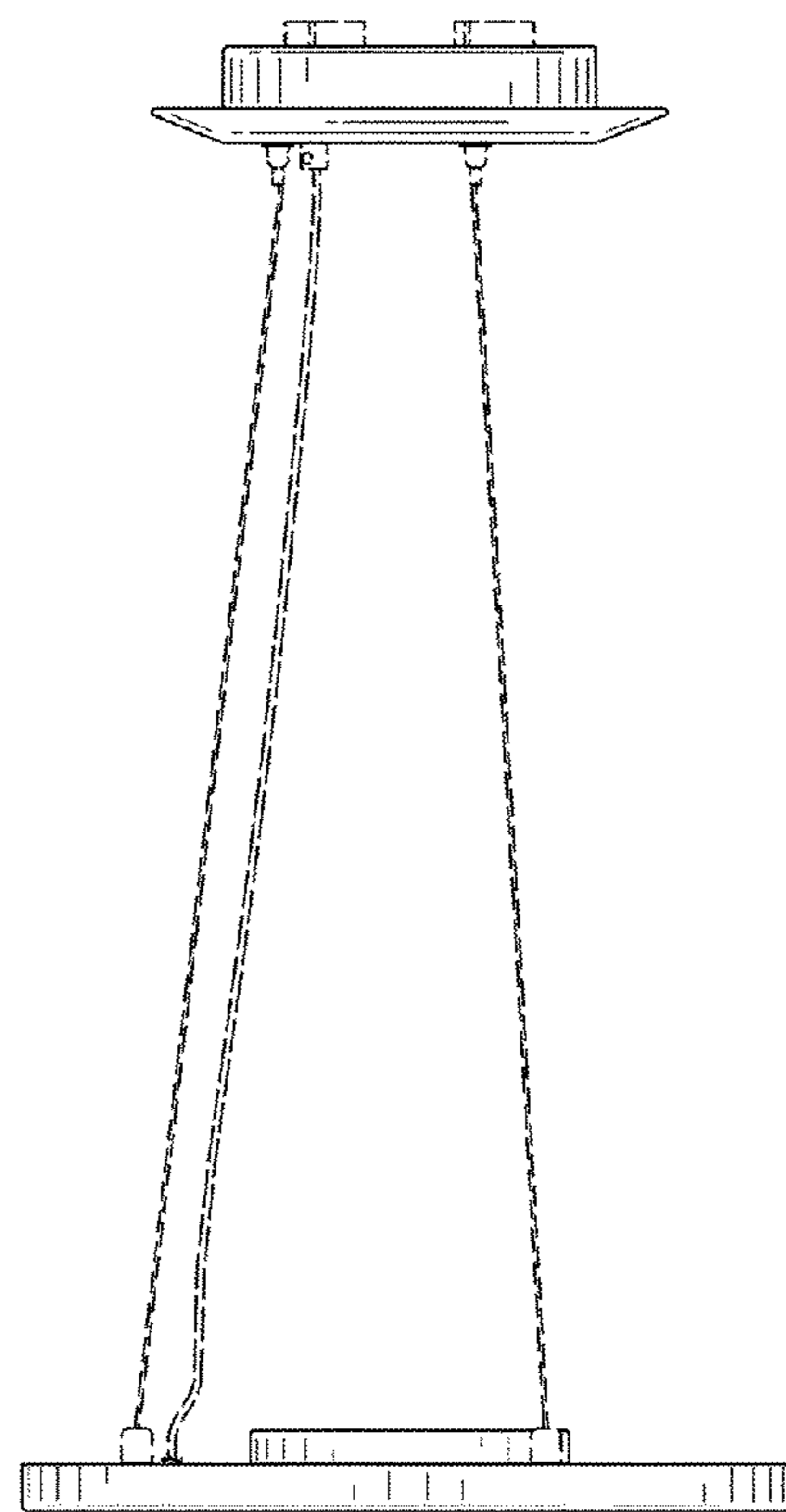
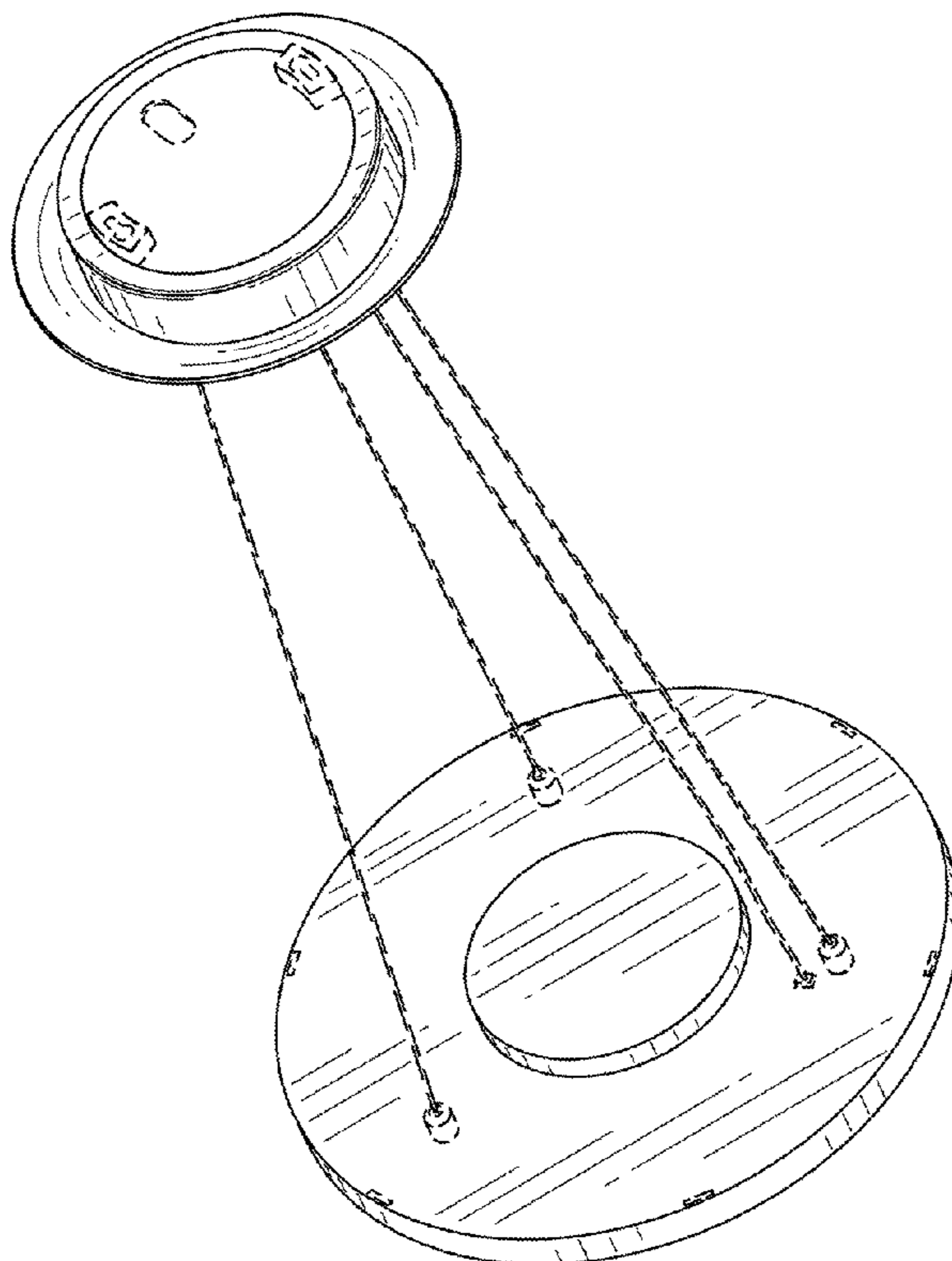
The ornamental design for a hanging ceiling dual-purpose
panel lamp, as shown and described.

DESCRIPTION

FIG. 1 is a perspective view of a hanging ceiling dual-
purpose panel lamp;
FIG. 2 is a front view thereof;
FIG. 3 is a rear view thereof;
FIG. 4 is a left view thereof;
FIG. 5 is a right view thereof;
FIG. 6 is a top view thereof; and,
FIG. 7 is a bottom view thereof.

The dashed or broken lines shown in the drawings depict
portions of the hanging ceiling dual-purpose panel lamp in
which the design is embodied that form no part of the
claimed design.

1 Claim, 7 Drawing Sheets



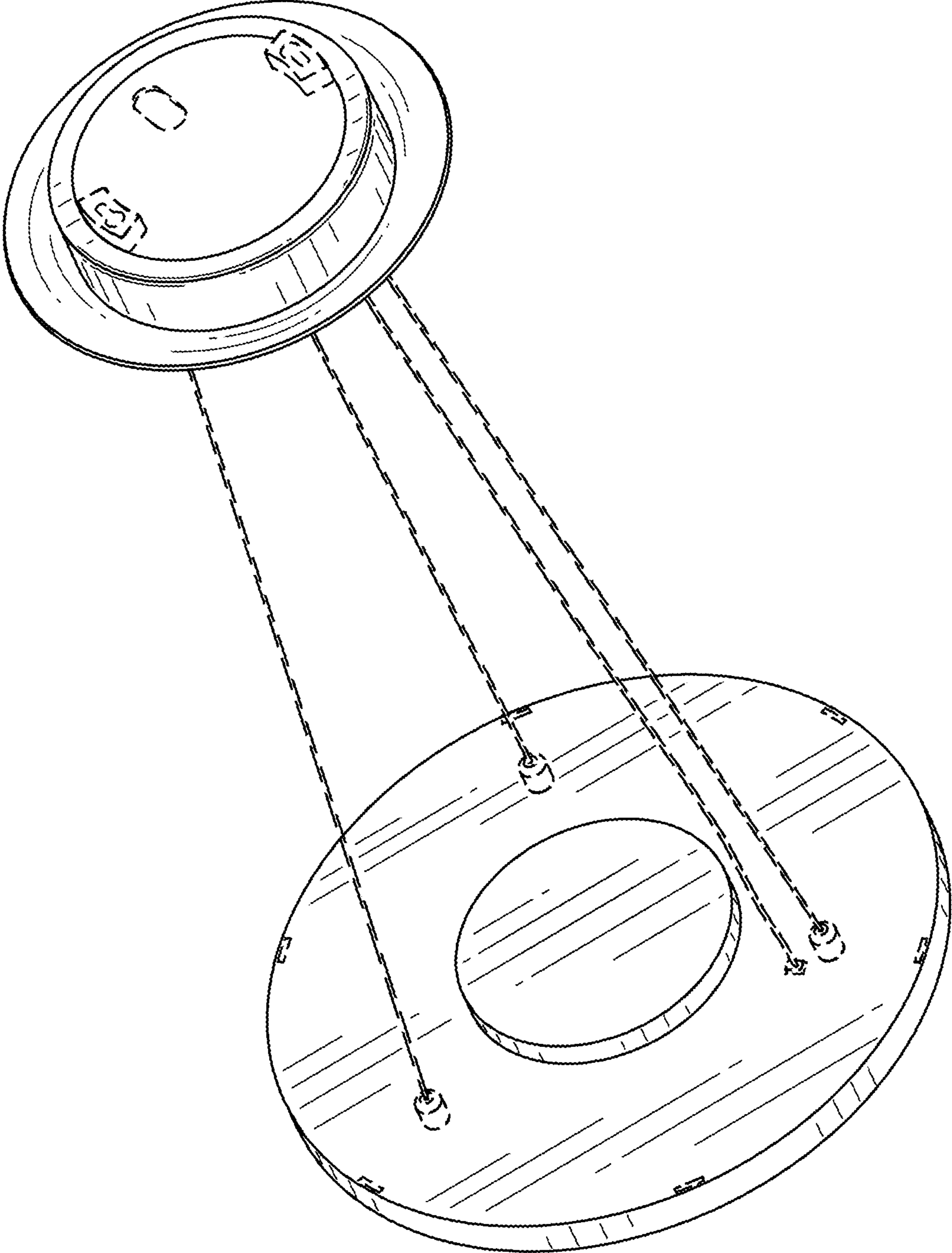


FIG. 1

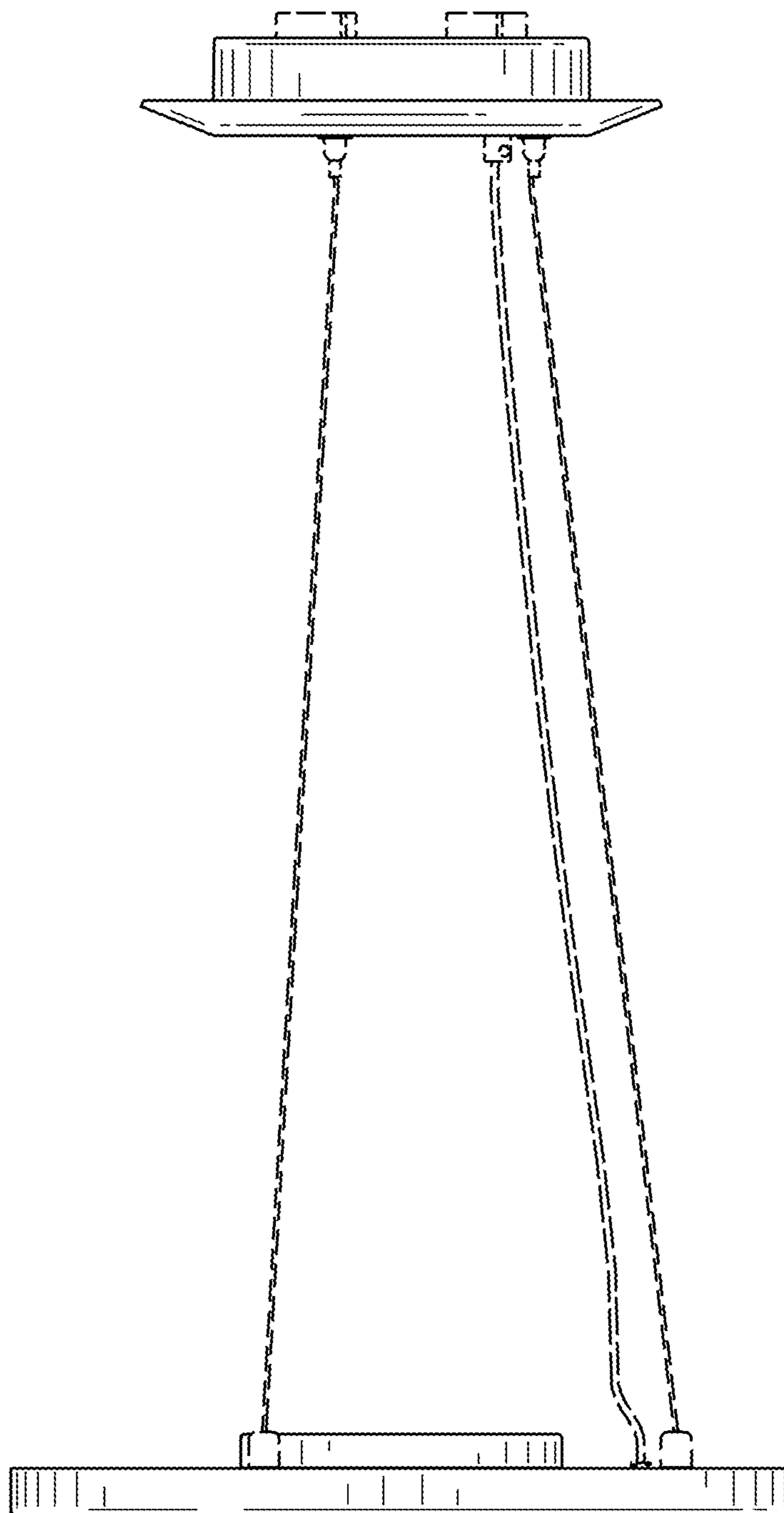


FIG. 2

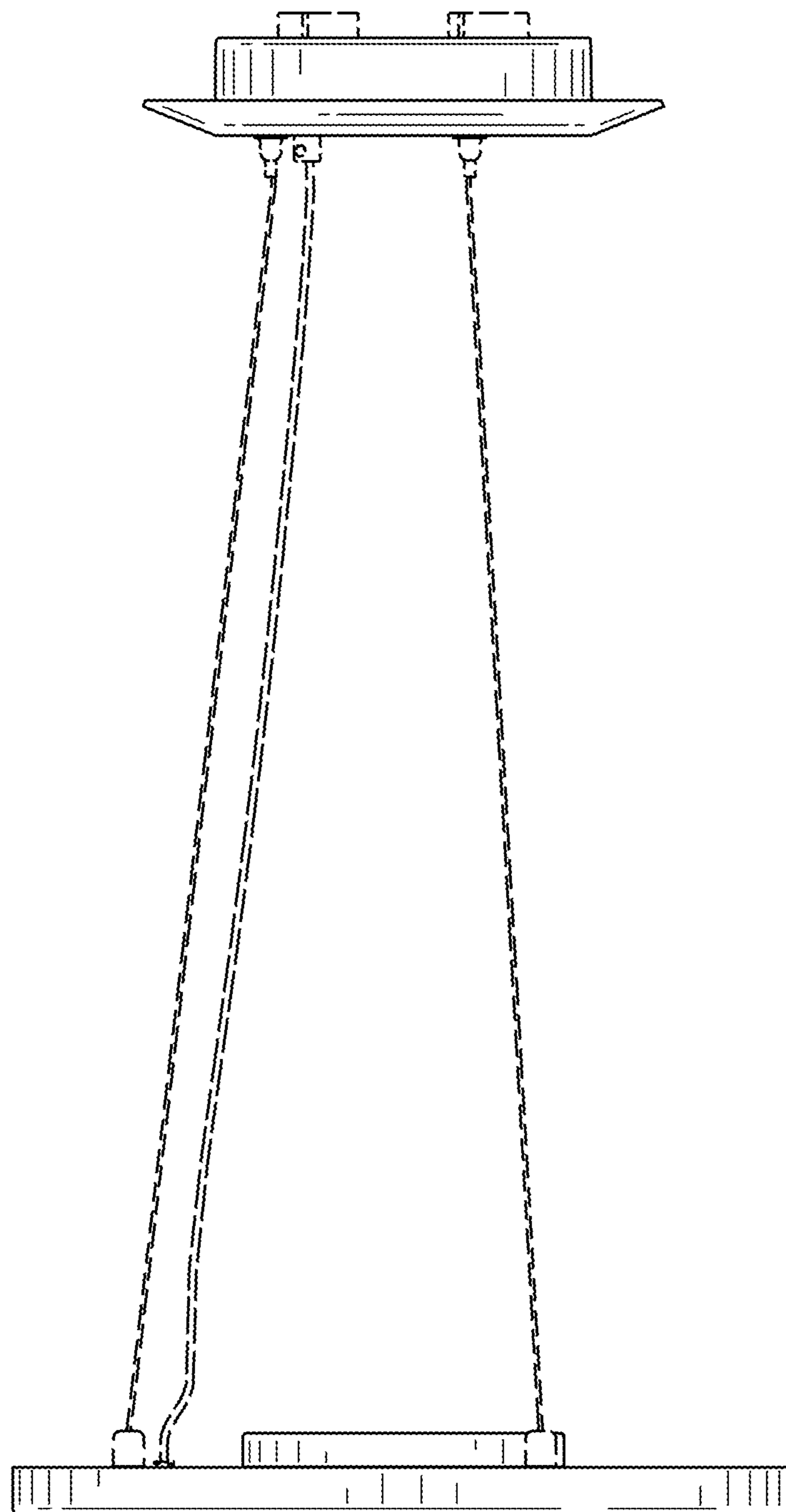


FIG. 3

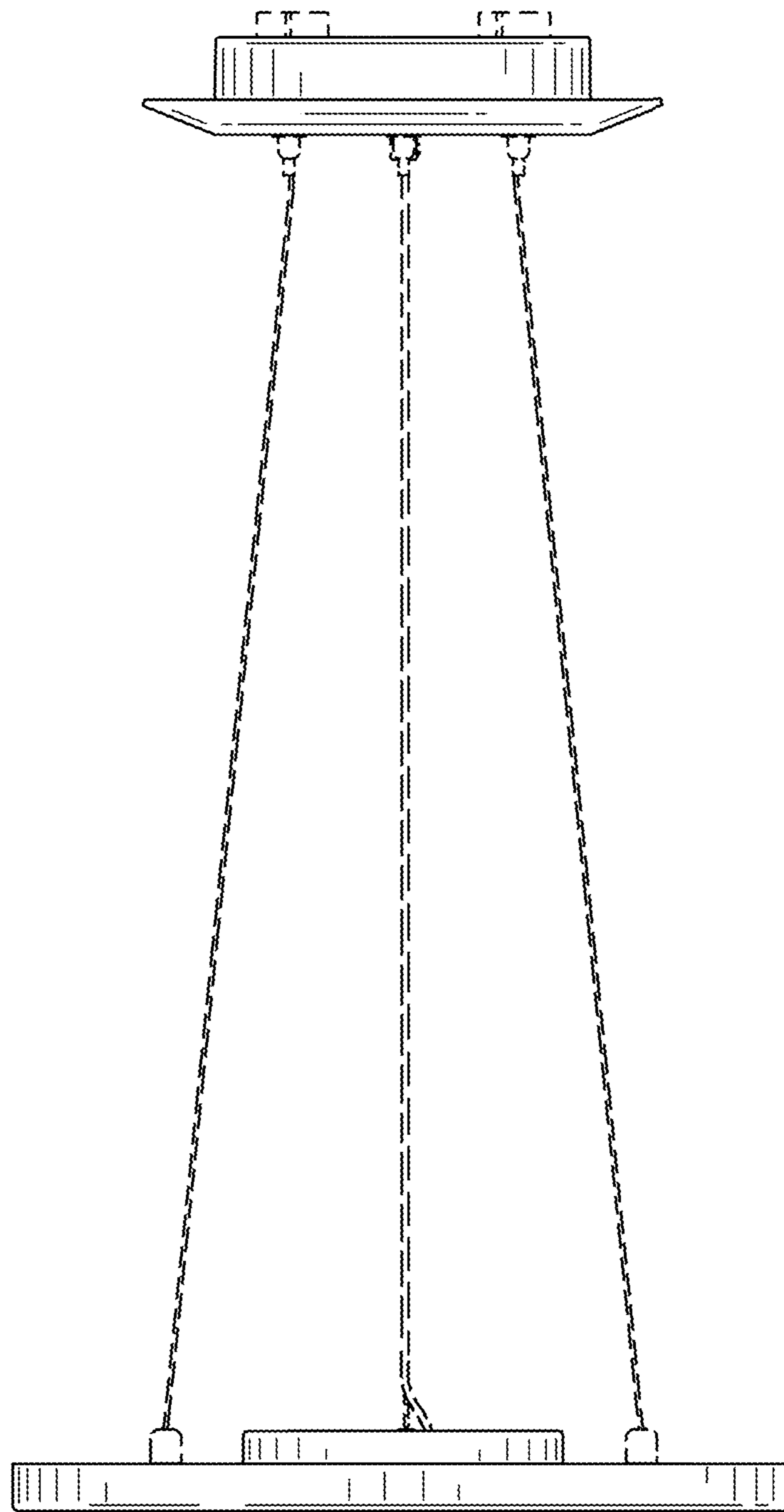


FIG. 4

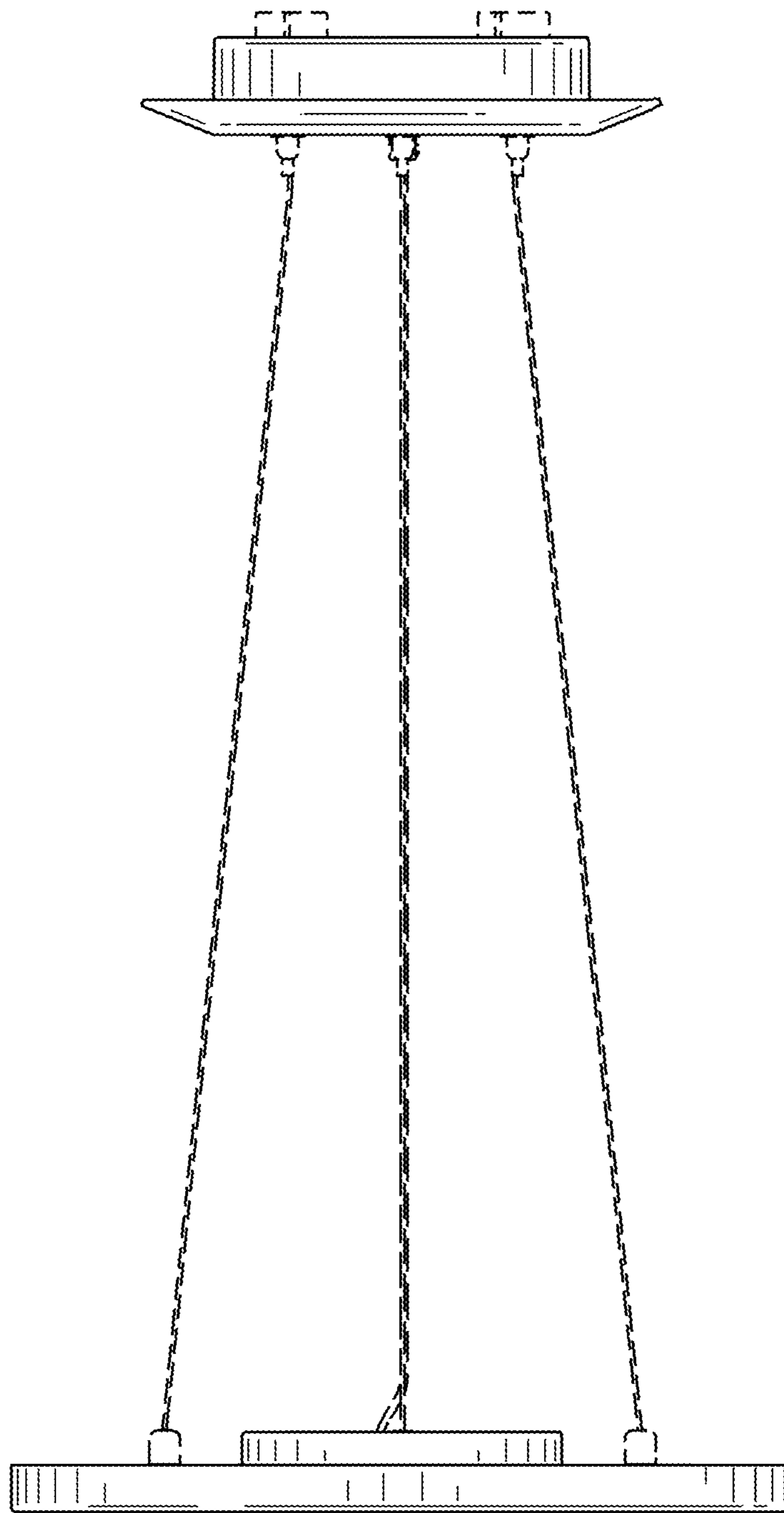


FIG. 5

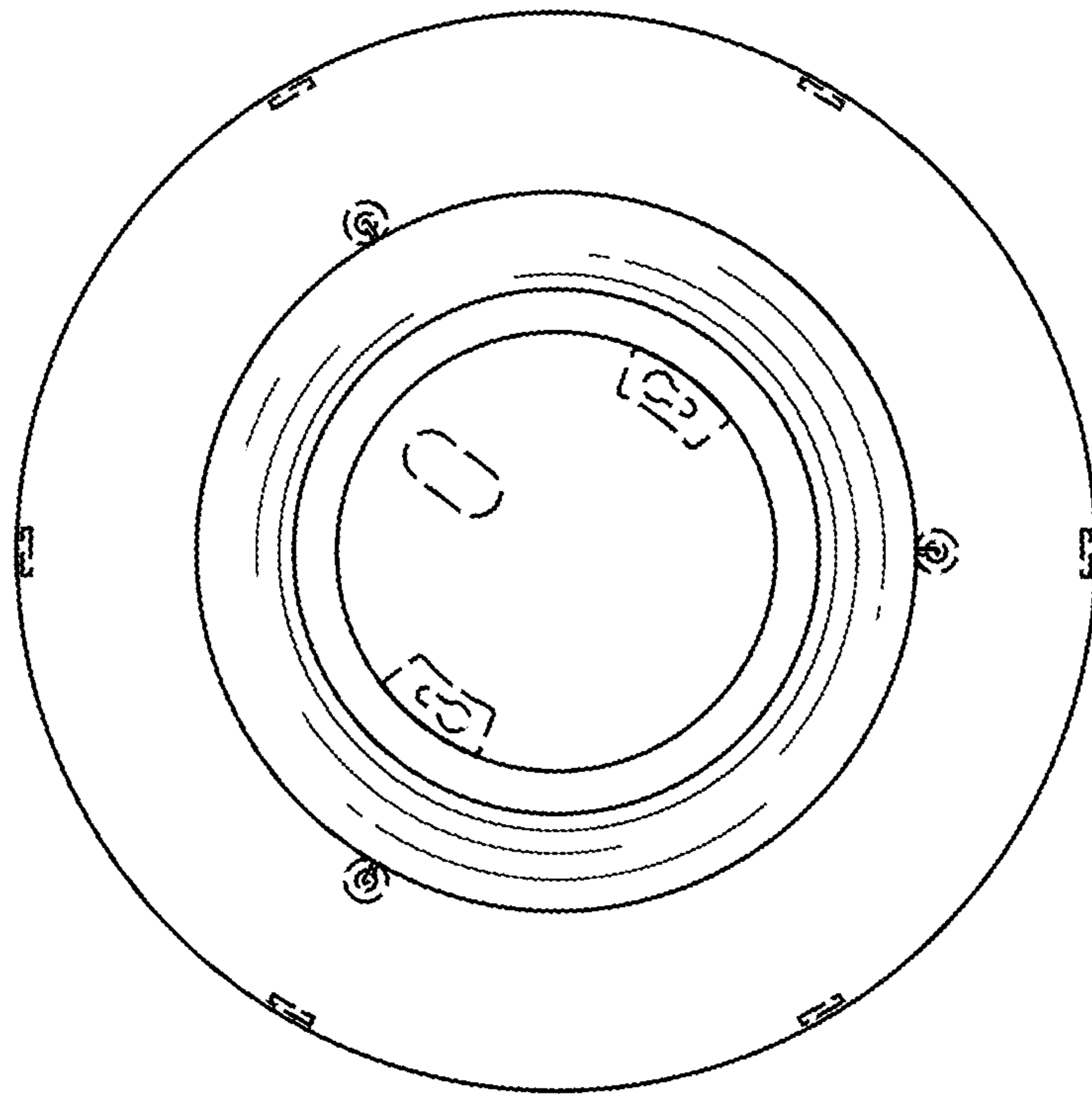


FIG. 6

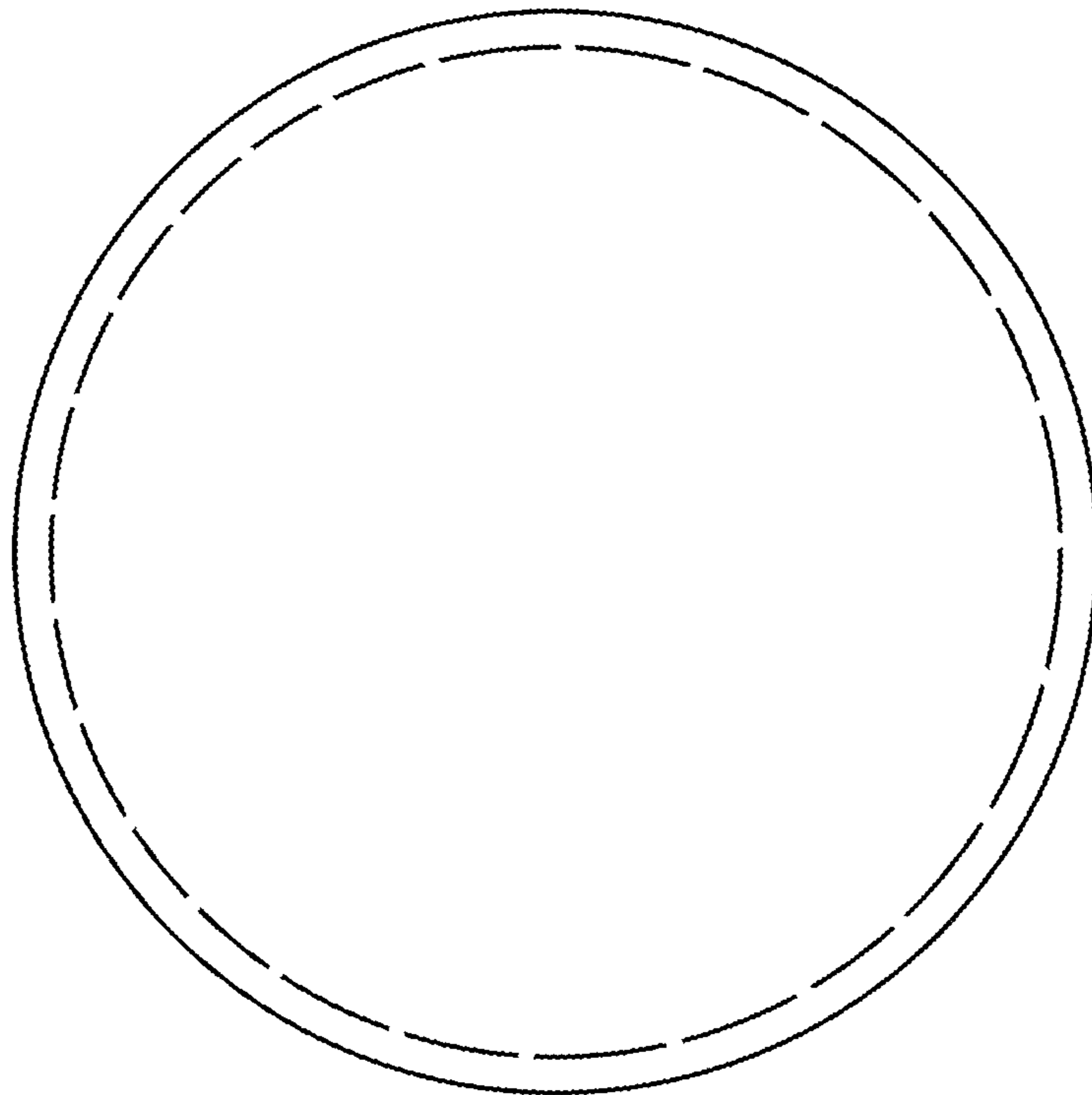


FIG. 7