



US00D877391S

(12) **United States Design Patent**
Lin

(10) **Patent No.:** **US D877,391 S**
(45) **Date of Patent:** **** Mar. 3, 2020**

(54) **TRACK LIGHT**

(71) Applicant: **Ting-Mao Lin**, Taoyuan (TW)

(72) Inventor: **Ting-Mao Lin**, Taoyuan (TW)

(**) Term: **15 Years**

(21) Appl. No.: **29/647,443**

(22) Filed: **May 13, 2018**

(51) **LOC (12) Cl.** **26-05**

(52) **U.S. Cl.**
USPC **D26/76**

(58) **Field of Classification Search**
USPC D26/42, 58, 72, 75, 76, 80, 81, 90, 102
CPC F21V 7/005; F21V 7/0008; F21V 7/0016;
F21V 21/00; F21V 21/005; F21V 21/088;
F21V 21/0885; F21S 8/031; F21S 8/038;
F21S 8/04; F21S 8/06; F21S 8/063; F21S
8/066; F21S 4/00; F21S 4/28; F21S 9/02;
F21S 8/00; F21S 8/03; F21S 8/043; F21Y
2101/00; F21Y 2103/00; F21Y 2103/10
See application file for complete search history.

(56) **References Cited**

U.S. PATENT DOCUMENTS

4,045,665	A *	8/1977	Williams	F21S 8/035 362/355
D374,737	S *	10/1996	Can	D26/80
D532,544	S *	11/2006	Woertler	D26/80
D629,554	S *	12/2010	Gielen	D26/76
D645,193	S *	9/2011	Chung	D26/75
D660,498	S *	5/2012	Chung	D26/75

D732,225	S *	6/2015	Grandsart	D26/75
D756,553	S *	5/2016	Kim	D26/76
D764,092	S *	8/2016	Cai	D26/76
D766,487	S *	9/2016	Cai	D26/76
D775,395	S *	12/2016	Huyghe	D26/80
D791,383	S *	7/2017	Yu	D26/76
D801,570	S *	10/2017	Grandsart	D26/76
D808,566	S *	1/2018	Goetz-Schaefer	D26/76
D844,880	S *	4/2019	Zeng	D26/76
D864,454	S *	10/2019	Lv	D26/76
2008/0314944	A1 *	12/2008	Tsai	F21S 2/005 224/331
2015/0260389	A1 *	9/2015	Caron	F21V 29/74 362/218
2019/0049100	A1 *	2/2019	Seligman	F21V 21/22
2019/0162394	A1 *	5/2019	Guerra	F21V 15/015
2019/0234590	A1 *	8/2019	Beland	F21V 21/088

* cited by examiner

Primary Examiner — Cathron C Brooks

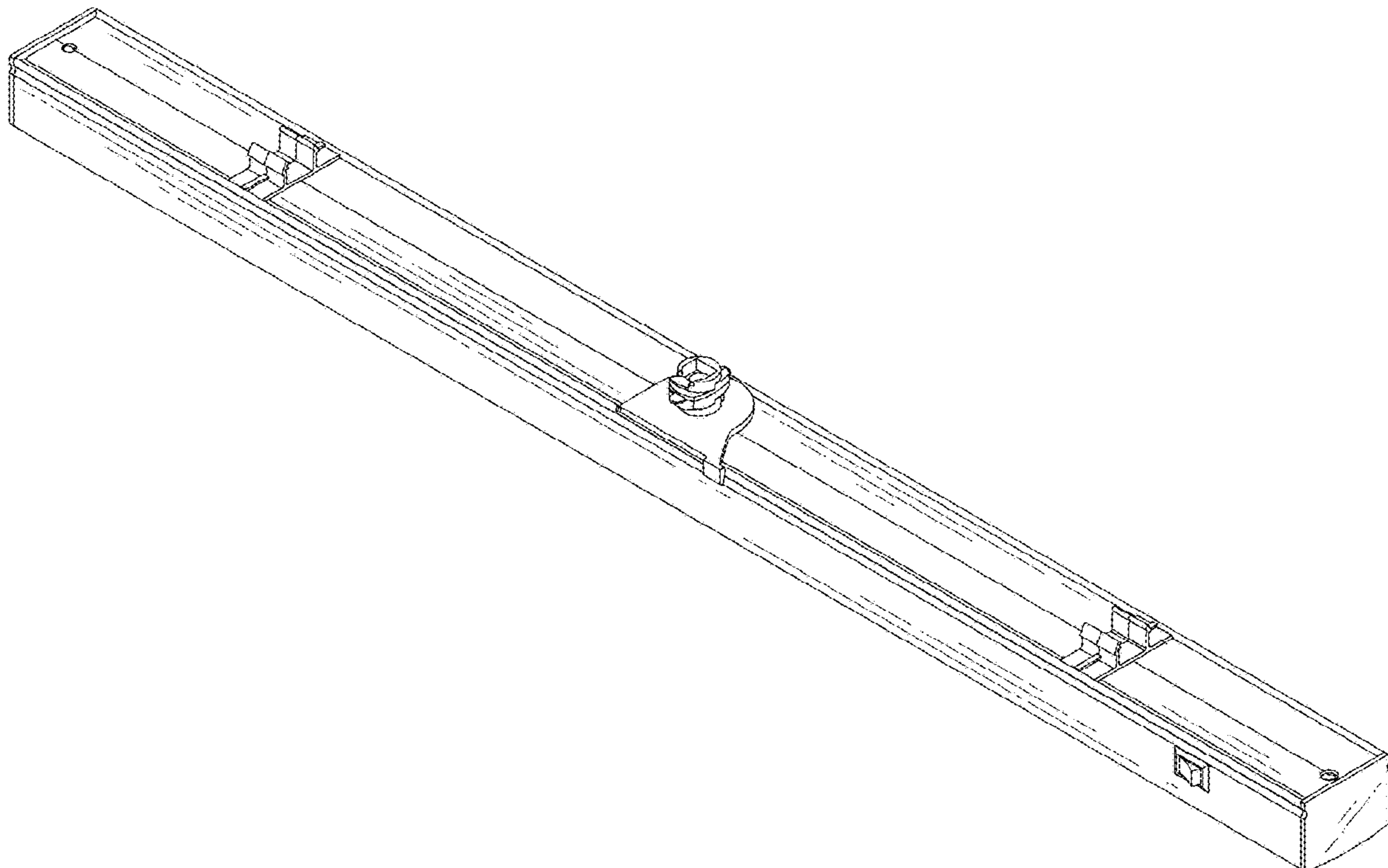
(57) **CLAIM**

The ornamental design for a track light, as shown and described.

DESCRIPTION

FIG. 1 is a front perspective view of a track light showing my new design;
FIG. 2 is a front elevational view thereof;
FIG. 3 is a rear elevational view thereof;
FIG. 4 is a left side elevational view thereof;
FIG. 5 is a right side elevational view thereof;
FIG. 6 is a top plan view thereof; and,
FIG. 7 is a bottom plan view thereof.

1 Claim, 6 Drawing Sheets



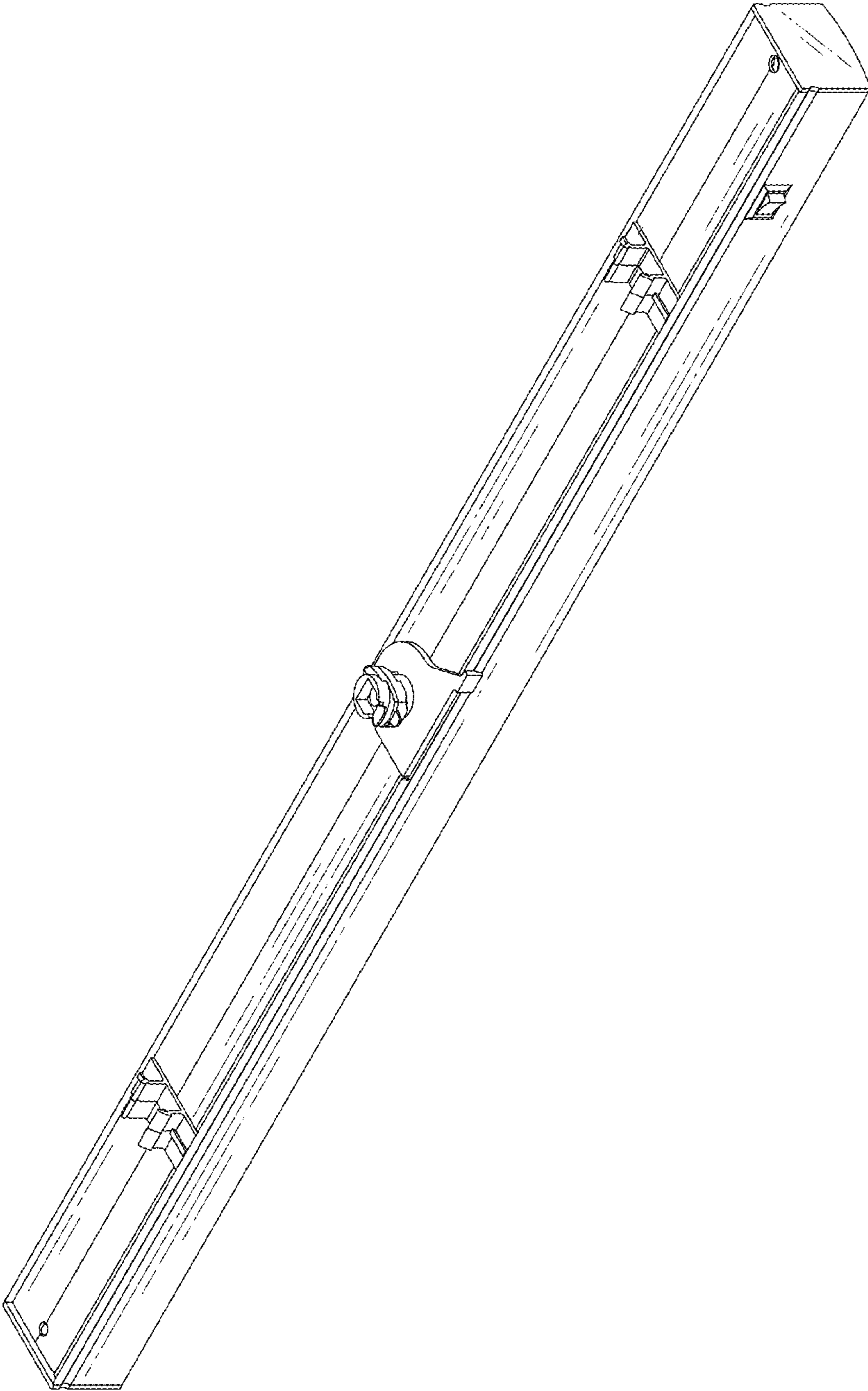


Fig. 1

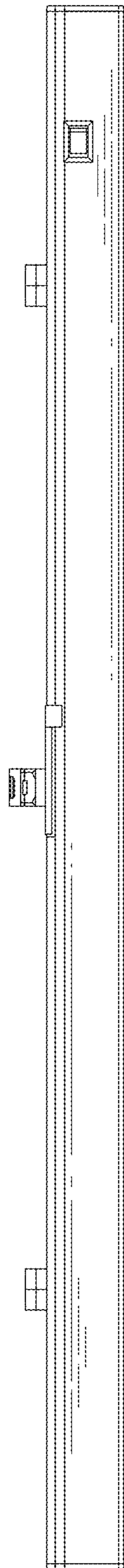


Fig. 2

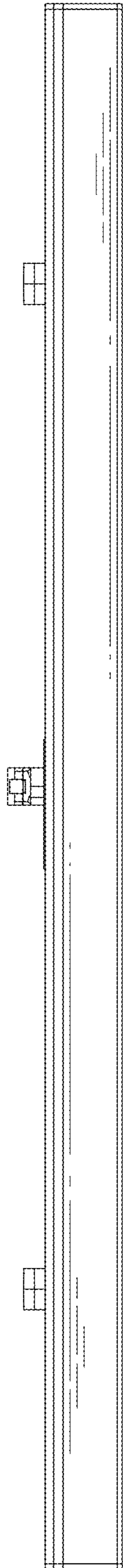


Fig.3

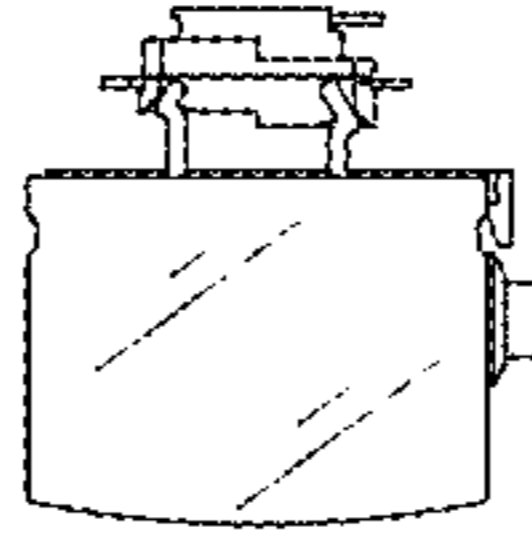


Fig.4

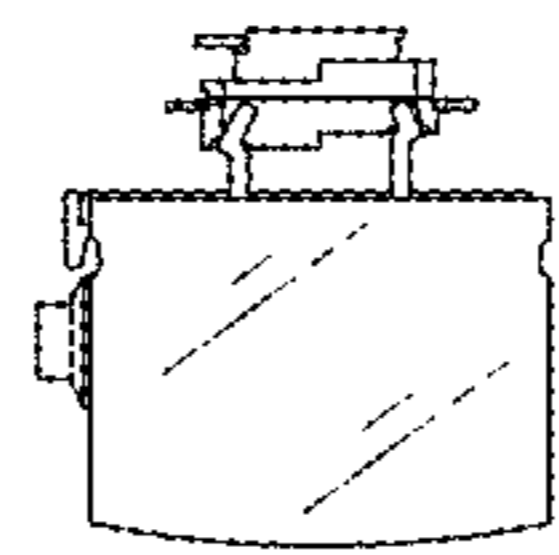


Fig.5

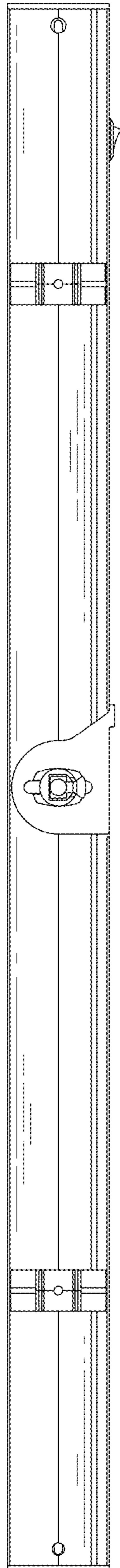


Fig.6

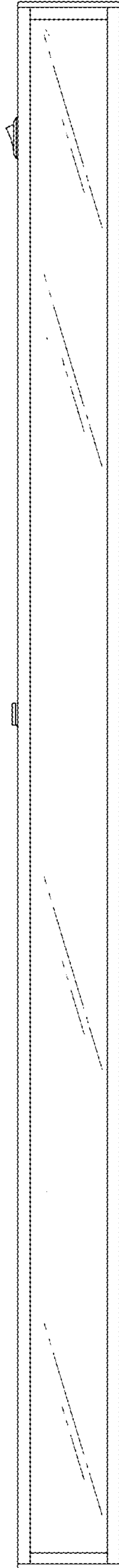


Fig. 7