



US00D877386S

(12) **United States Design Patent Grant** (10) **Patent No.:** **US D877,386 S**  
(45) **Date of Patent:** **\*\* Mar. 3, 2020**

(54) **ILLUMINATED POST CAP HAVING A DUAL LIGHTING EFFECT**

(74) *Attorney, Agent, or Firm* — LK Global | Lorenz & Kopf

(71) Applicant: **Classy Caps Mfg. Inc.**, Kingsville (CA)

(57) **CLAIM**

The ornamental design for an illuminated post cap having a dual lighting effect, as shown and described.

(72) Inventor: **Darcey Grant**, Kingsville (CA)

(\*\*) Term: **15 Years**

**DESCRIPTION**

(21) Appl. No.: **29/692,903**

FIG. 1 is a perspective view of a first embodiment of the post cap in an unilluminated state;  
FIG. 2 is a front elevation of the cap shown in FIG. 1, the rear elevation being identical thereto;  
FIG. 3 is a right-side elevation of the cap shown in FIG. 1, the left-side elevation being identical thereto;  
FIG. 4 is a top plan view of the cap shown in FIG. 1;  
FIG. 5 is a bottom plan view of the cap shown in FIG. 1;  
FIG. 6 is a perspective view of the post cap in an illuminated state;

(22) Filed: **May 29, 2019**

(51) **LOC (12) Cl.** ..... **29-05**

(52) **U.S. Cl.**  
USPC ..... **D26/67**

(58) **Field of Classification Search**  
USPC ..... D26/67-70, 104; D25/135  
CPC .. F21S 8/081; F21S 8/083; F21S 8/088; F21S 8/032; F21S 9/037; F21V 3/023; F21V 21/0824; F21W 2111/023; F21W 2131/109

See application file for complete search history.

FIG. 7 is a perspective view of a second embodiment of the post cap of FIG. 1, the only difference being the size of the base, it being understood that all other surfaces are the same as those of the first embodiment;  
FIG. 8 is a perspective view of a third embodiment of the post cap of FIG. 1, the only difference being the size of the base, it being understood that all other surfaces are the same as those of the first embodiment; and,  
FIG. 9 is a perspective view of a fourth embodiment of the post cap of FIG. 1, the only difference being the size of the base, it being understood that all other surfaces are the same as those of the first embodiment.

(56) **References Cited**

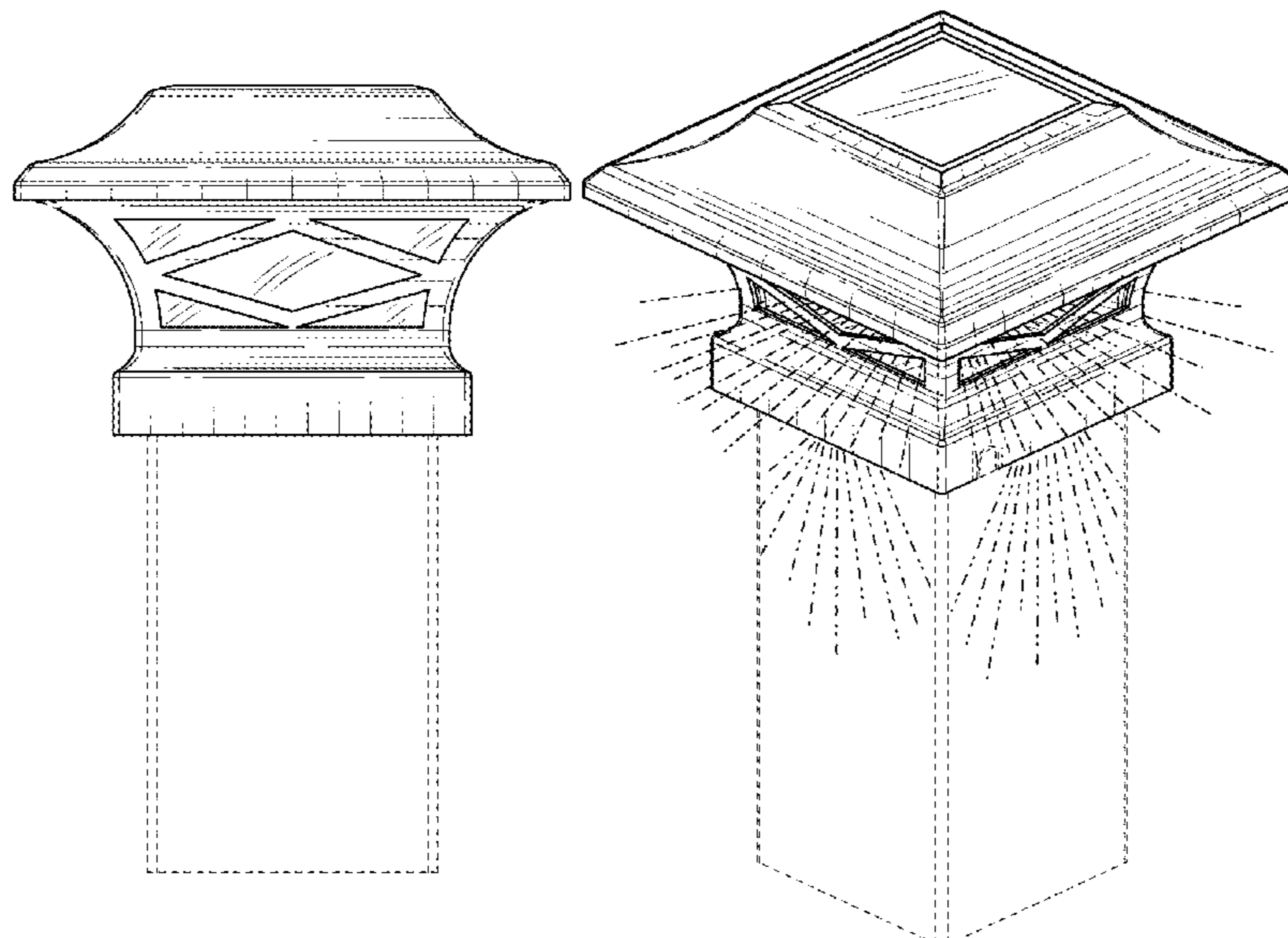
**U.S. PATENT DOCUMENTS**

D316,458 S *	4/1991	Spotts	.....	D26/67
D580,581 S *	11/2008	Grant	.....	D25/135
D616,134 S *	5/2010	Grant	.....	D25/135
D624,227 S *	9/2010	Grant	.....	D25/135
D629,551 S *	12/2010	Jing	.....	D26/67
D670,405 S *	11/2012	McKenzie	.....	D25/135
D693,510 S *	11/2013	Chen	.....	D26/67
D744,687 S *	12/2015	Li	.....	D26/67
D822,866 S *	7/2018	Chen	.....	D26/67
2002/0148183 A1 *	10/2002	Grant	.....	F21S 8/081
				52/300
2005/0213316 A1 *	9/2005	Inman	.....	F21S 8/083
				362/152

(Continued)

*Primary Examiner* — Clare E Heflin

**1 Claim, 7 Drawing Sheets**



(56)

**References Cited**

U.S. PATENT DOCUMENTS

2007/0242451 A1\* 10/2007 Richmond ..... F21S 9/03  
362/183  
2015/0338040 A1\* 11/2015 Swope ..... F21S 8/083  
362/183

\* cited by examiner

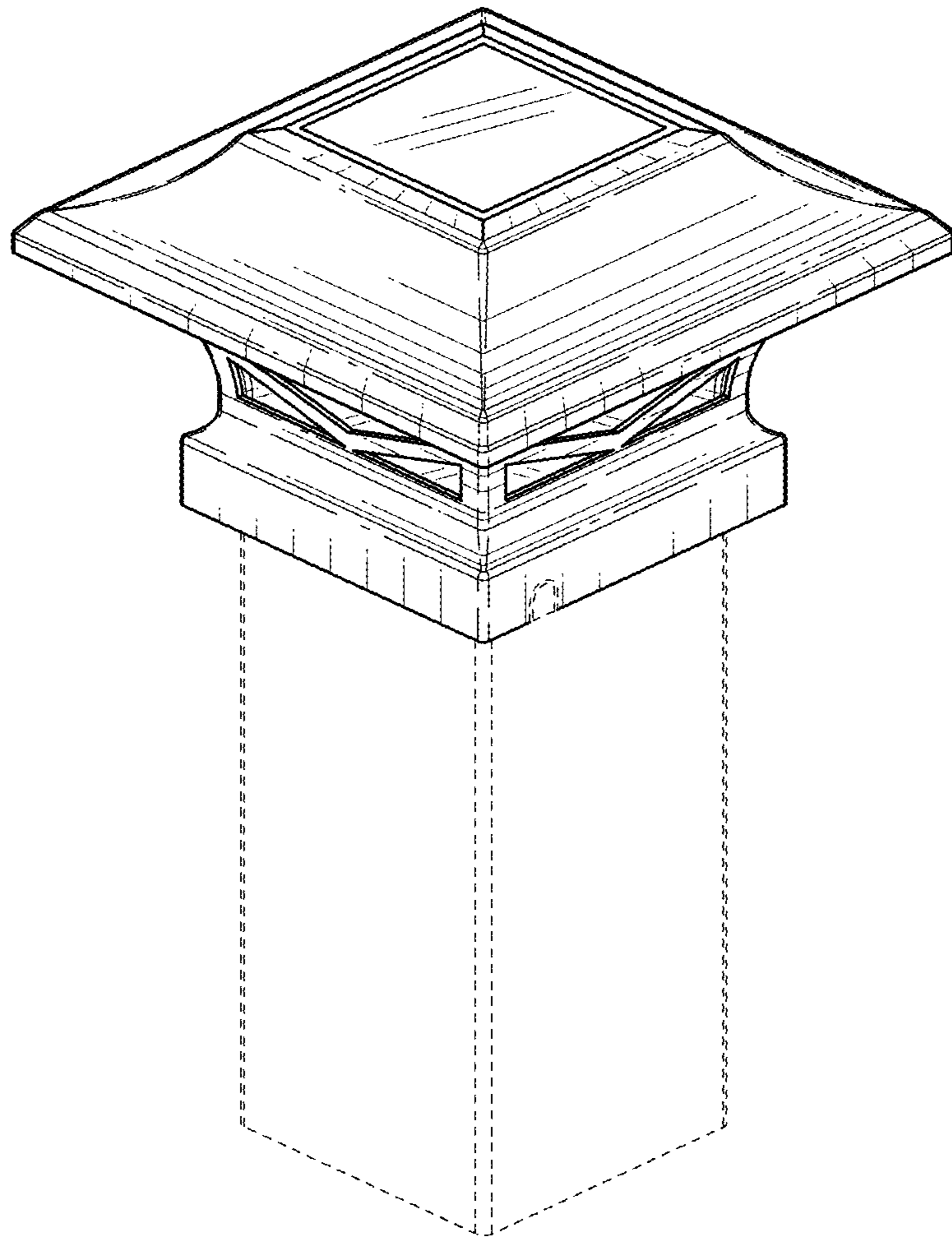


FIG. 1

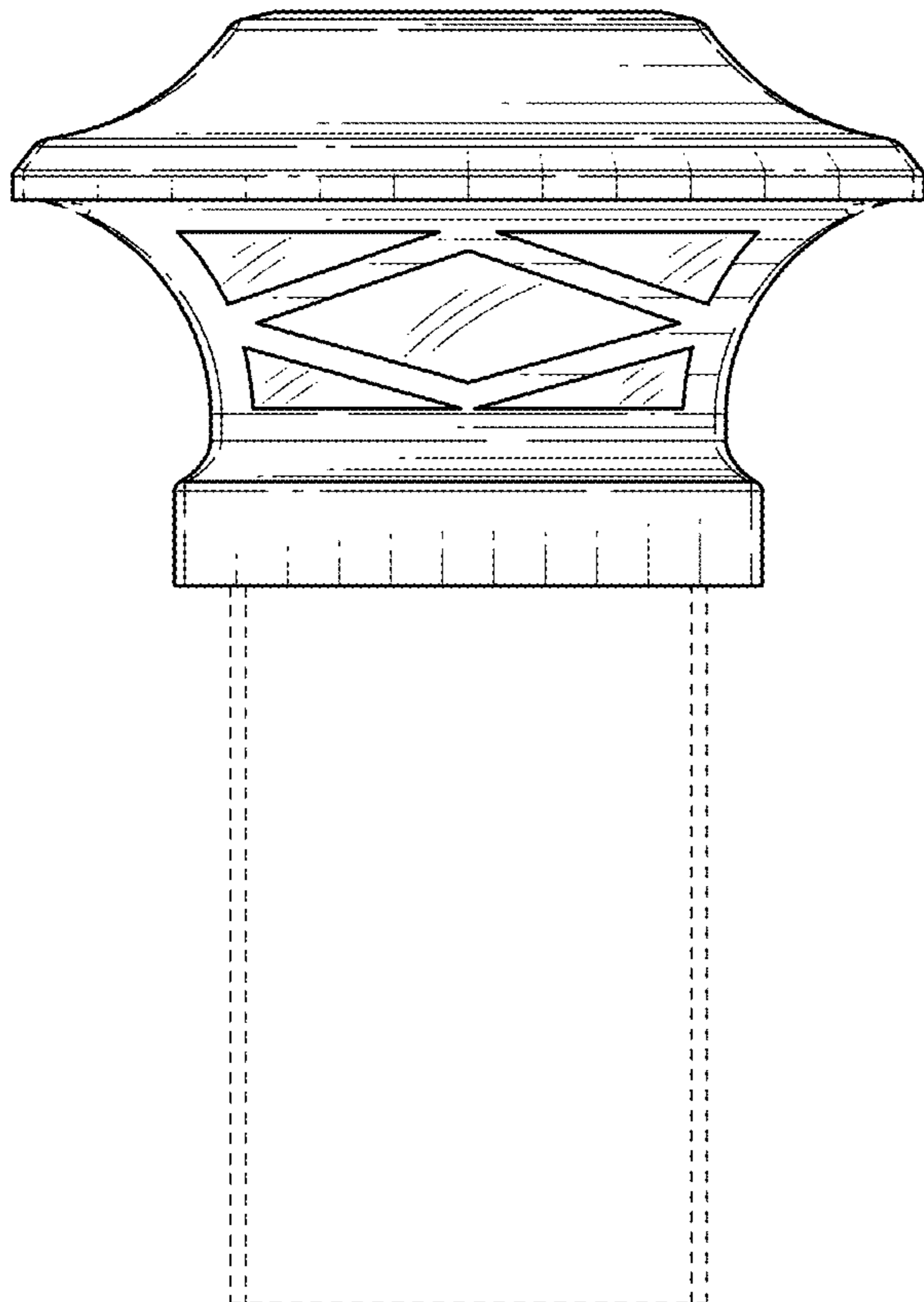


FIG. 2

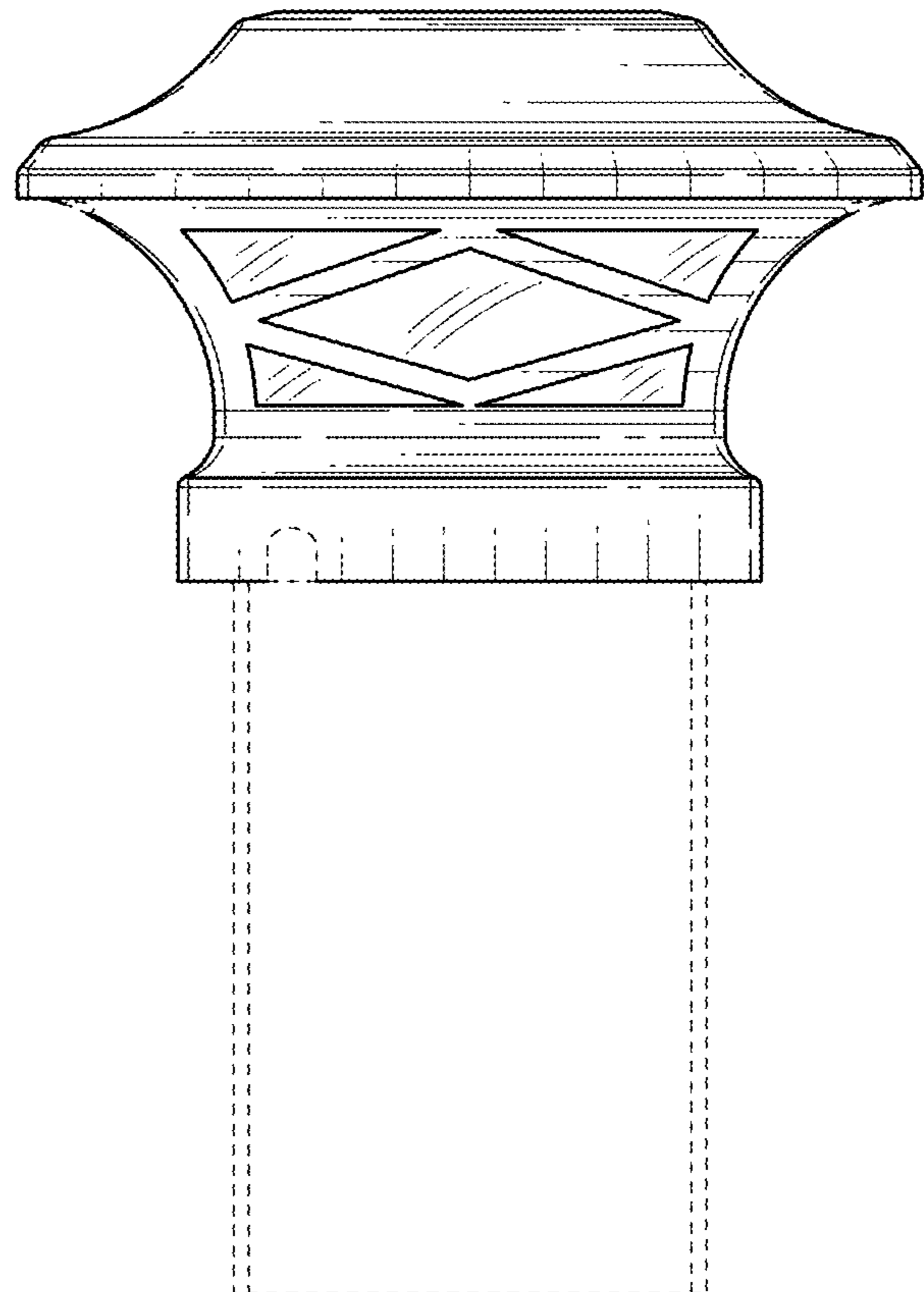


FIG. 3

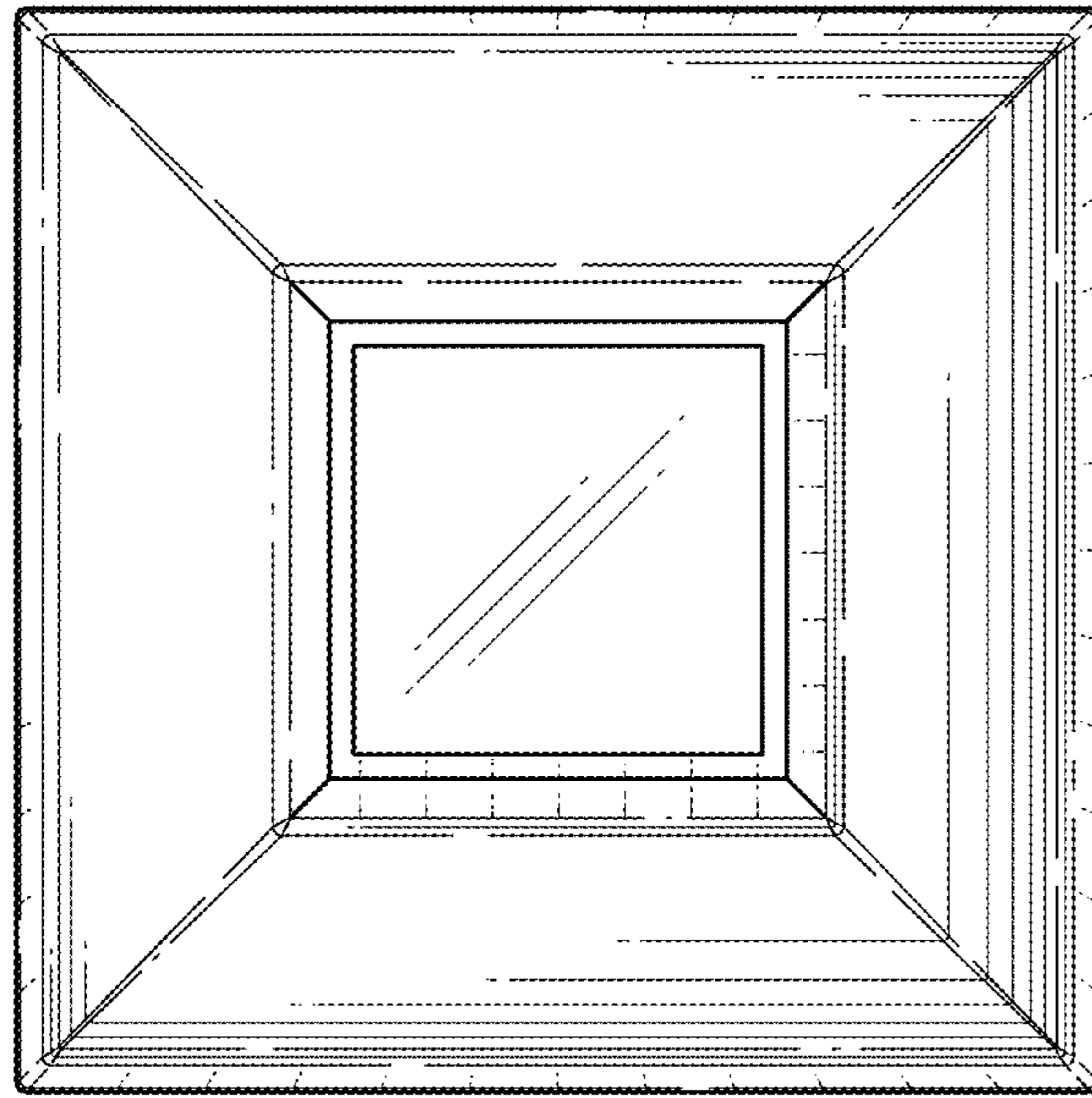


FIG. 4

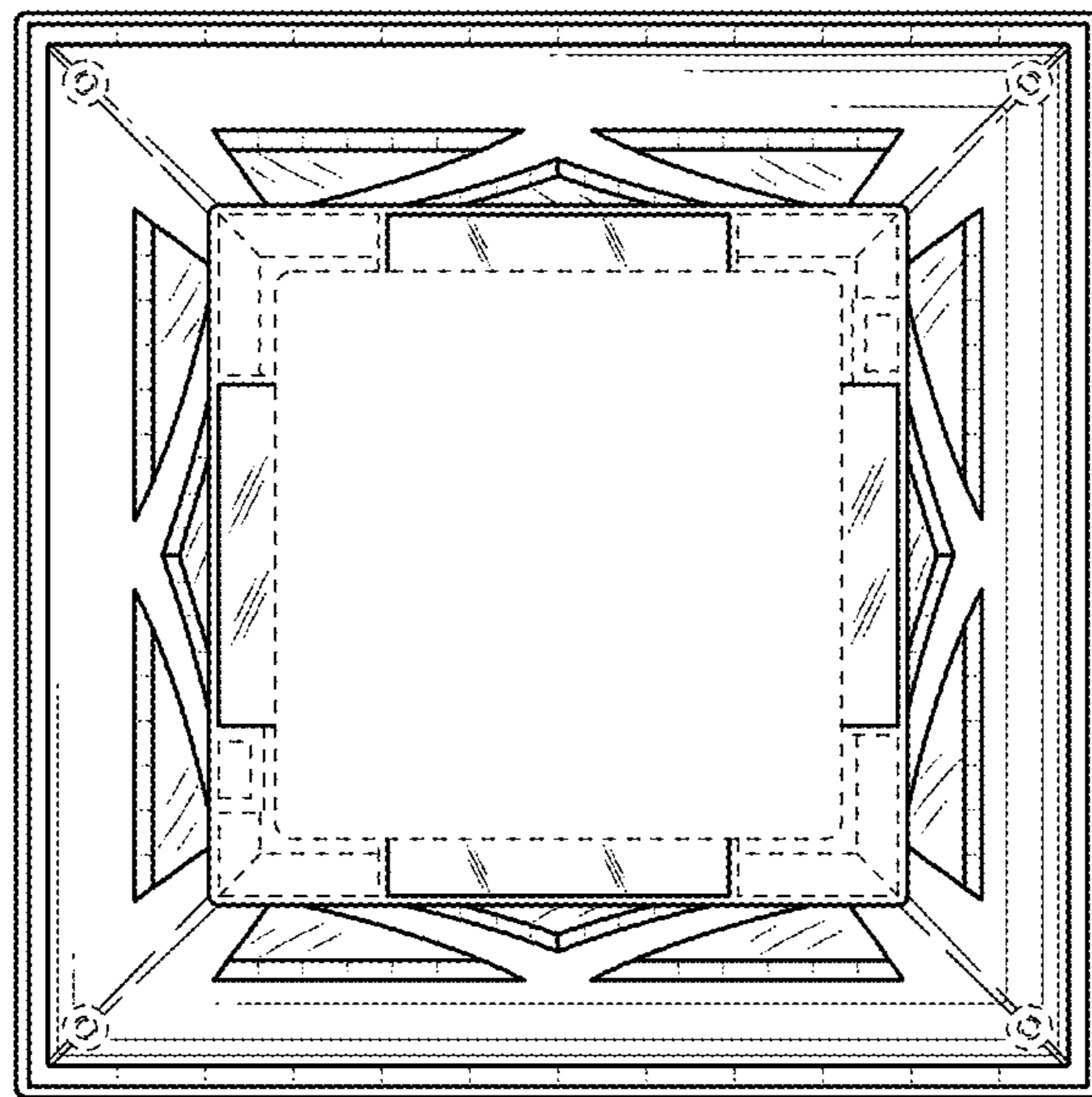


FIG. 5

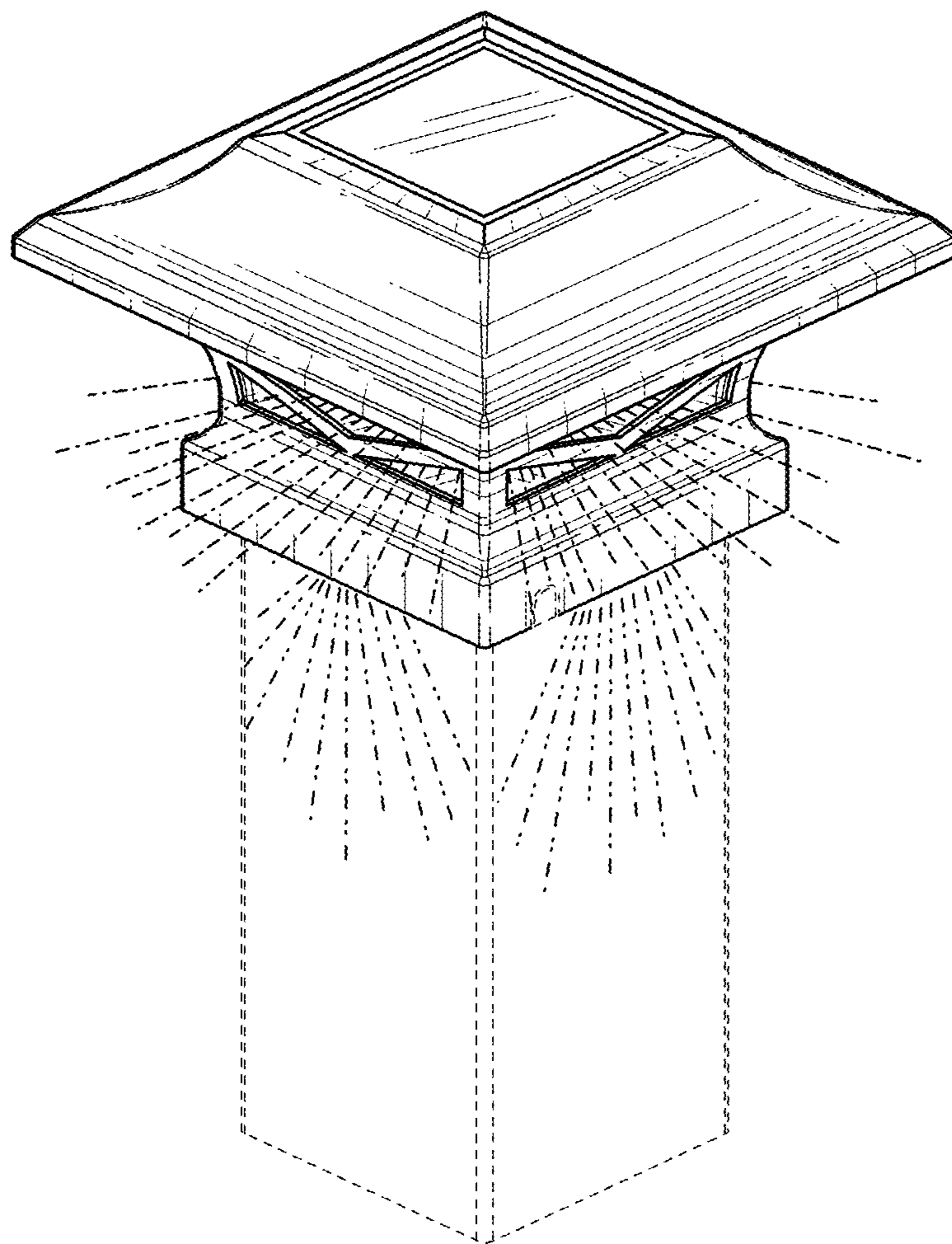


FIG. 6

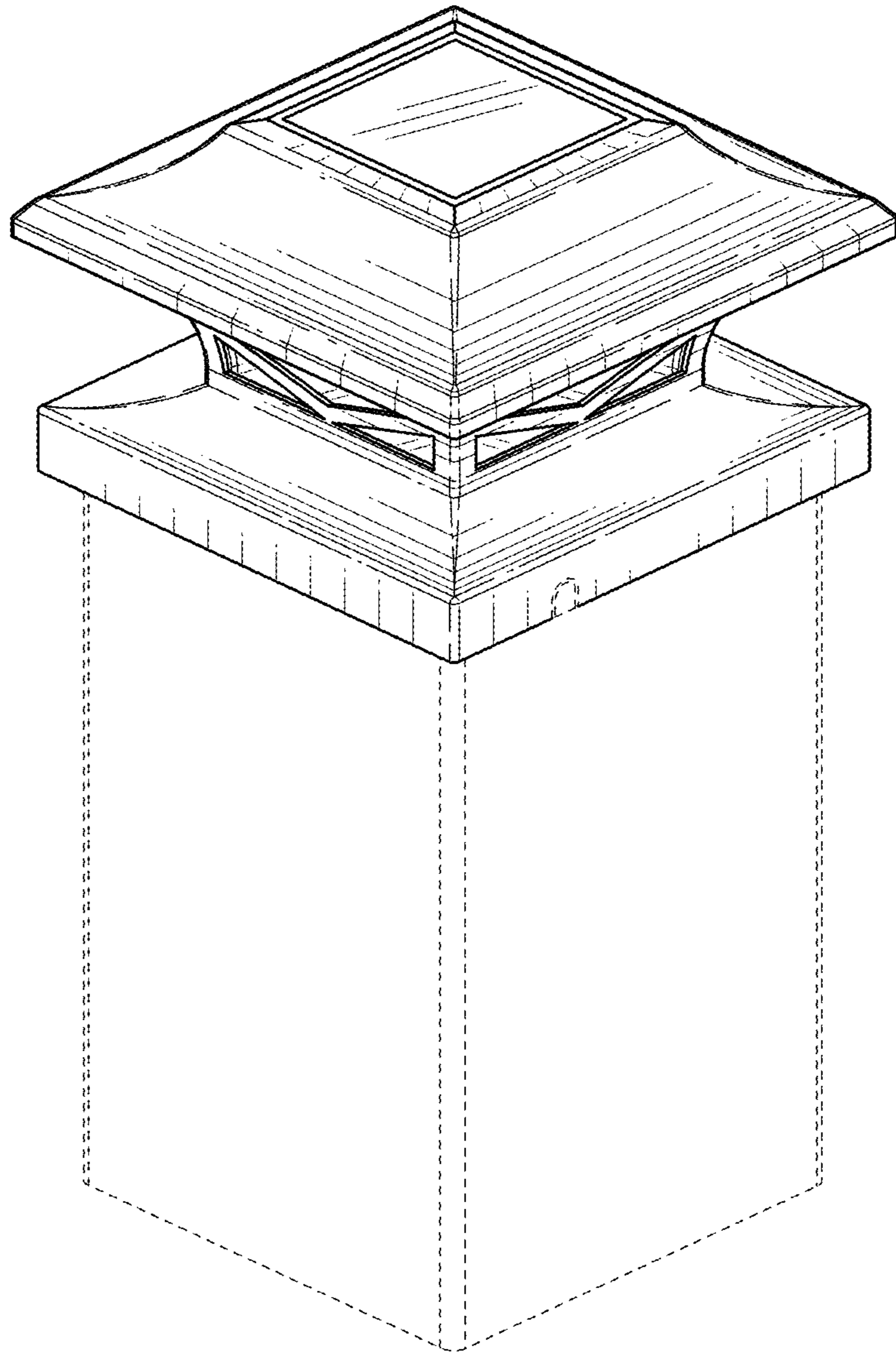


FIG. 7

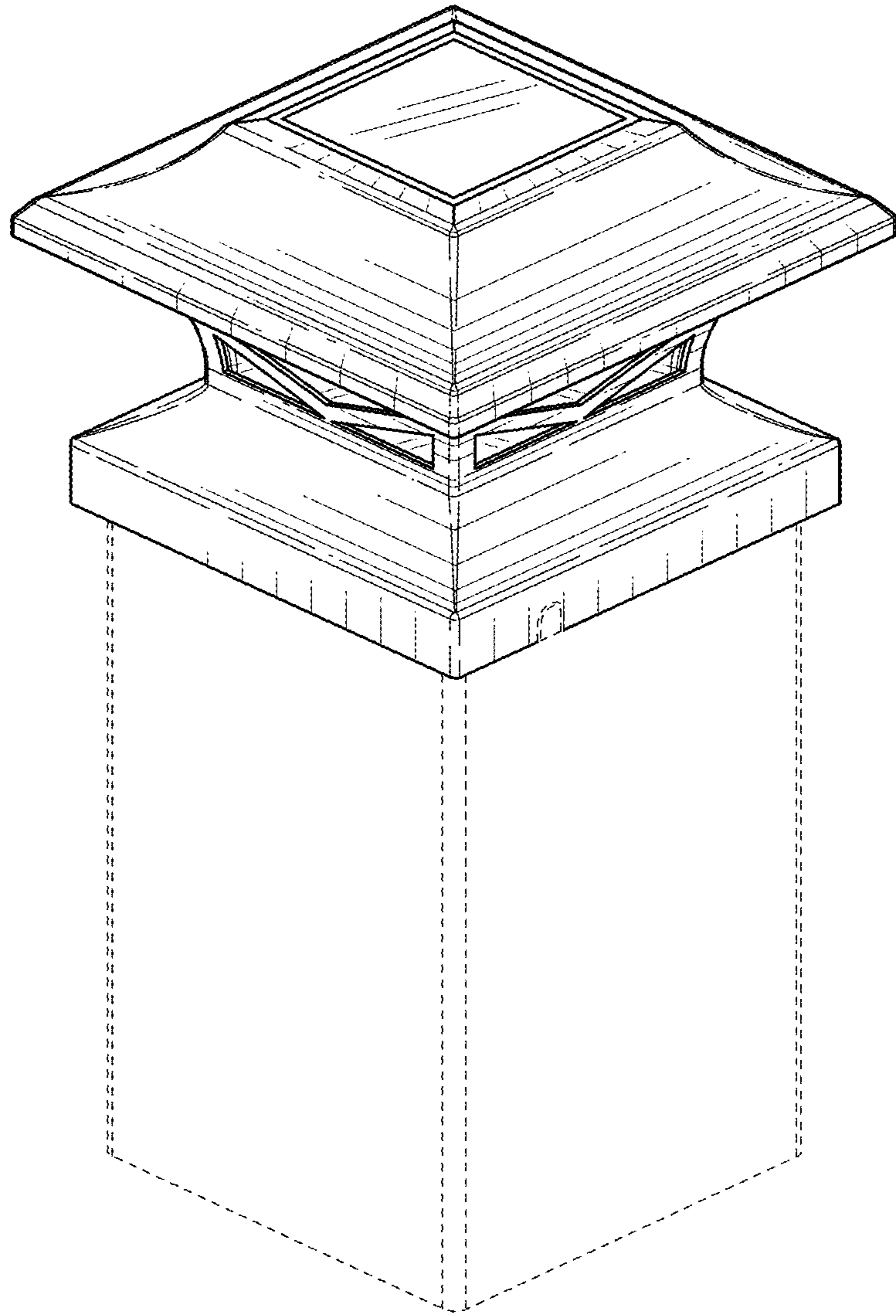


FIG. 8



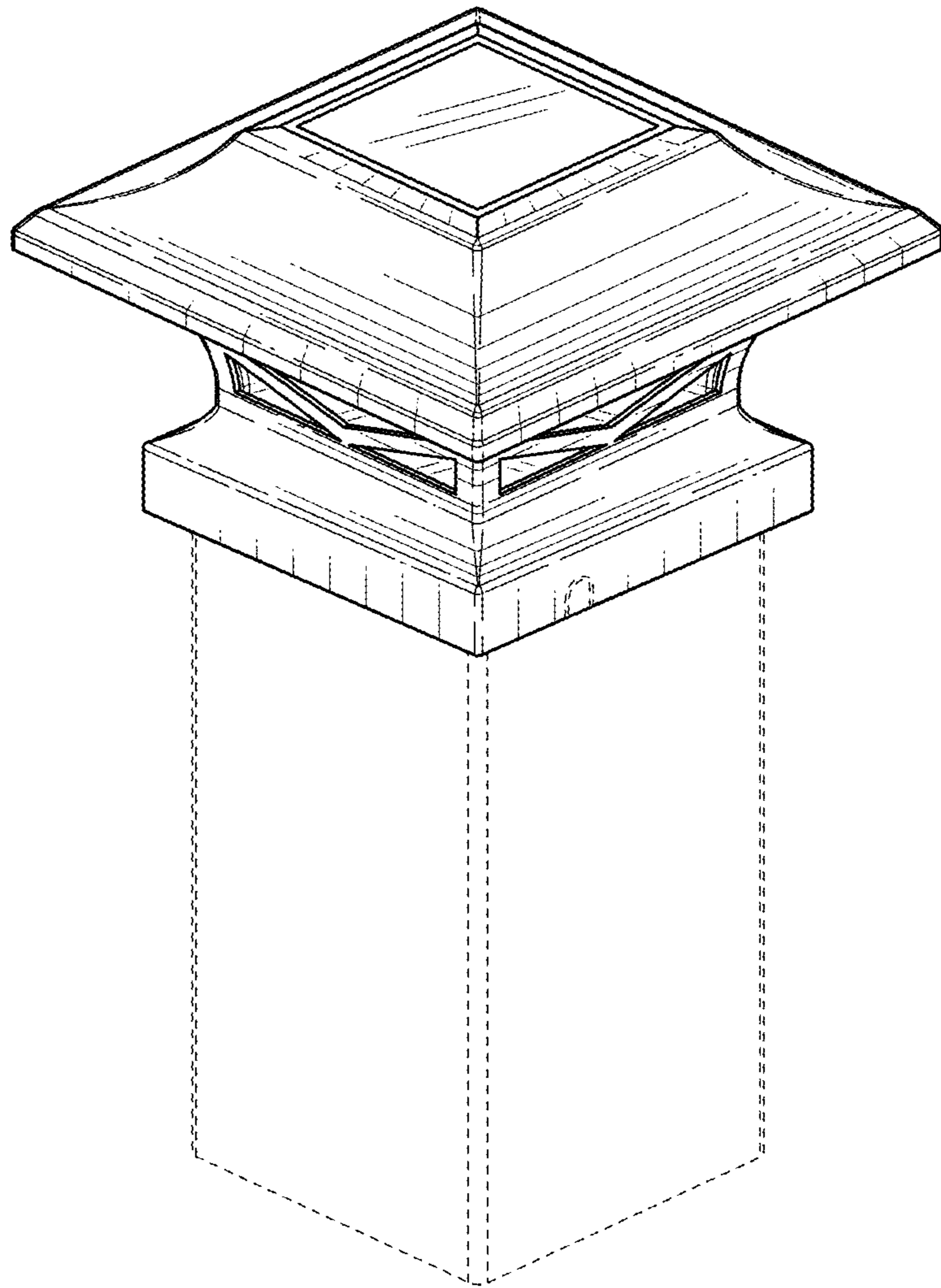


FIG. 9