



US00D877385S

(12) **United States Design Patent**  
**Gibson et al.**

(10) **Patent No.:** **US D877,385 S**  
(45) **Date of Patent:** **\*\* Mar. 3, 2020**

- (54) **TOP MOUNT LIGHT FIXTURE**
- (71) Applicant: **ABL IP Holding LLC**, Atlanta, GA (US)
- (72) Inventors: **Jon Eric Gibson**, Covington, GA (US); **Adam Pate**, Chamblee, GA (US); **Eric Fickas**, Plain City, OH (US); **Mark Mnich**, Westerville, OH (US)
- (73) Assignee: **ABL IP Holding LLC**, Atlanta, GA (US)
- (\*\*) Term: **15 Years**
- (21) Appl. No.: **29/643,738**
- (22) Filed: **Apr. 11, 2018**
- (51) **LOC (12) Cl.** ..... **26-05**
- (52) **U.S. Cl.**  
USPC ..... **D26/67**
- (58) **Field of Classification Search**  
USPC ..... D26/67-71; D25/135  
CPC .... F21S 8/08; F21S 8/081; F21S 8/083; F21S 8/088; F21S 9/03; F21S 9/037; F21V 21/0824; F21W 2111/023; F21W 2111/02; F21W 2131/109  
See application file for complete search history.

(56) **References Cited**

**U.S. PATENT DOCUMENTS**

D266,958 S	11/1982	Gernhardt	
D301,175 S *	5/1989	Benjamin	D26/67
D321,406 S	11/1991	Schlesselman	
D405,206 S	2/1999	Taylor et al.	
D451,227 S	11/2001	Orellana et al.	
D553,779 S *	10/2007	Butler	D26/67
D592,342 S	5/2009	Kinnune et al.	
D599,496 S *	9/2009	Lodhie	D26/67
D599,935 S *	9/2009	van Klinken	D26/67
D615,682 S *	5/2010	van Klinken	D26/67

D656,659 S 3/2012 Kong et al.  
D657,485 S 4/2012 Kong et al.  
D665,526 S 8/2012 Kong et al.  
(Continued)

**OTHER PUBLICATIONS**

U.S. Appl. No. 29/643,734 , "Notice of Allowance", dated Mar. 14, 2019, 5 pages.  
(Continued)

*Primary Examiner* — Clare E Hefflin

(74) *Attorney, Agent, or Firm* — Kilpatrick Townsend & Stockton LLP

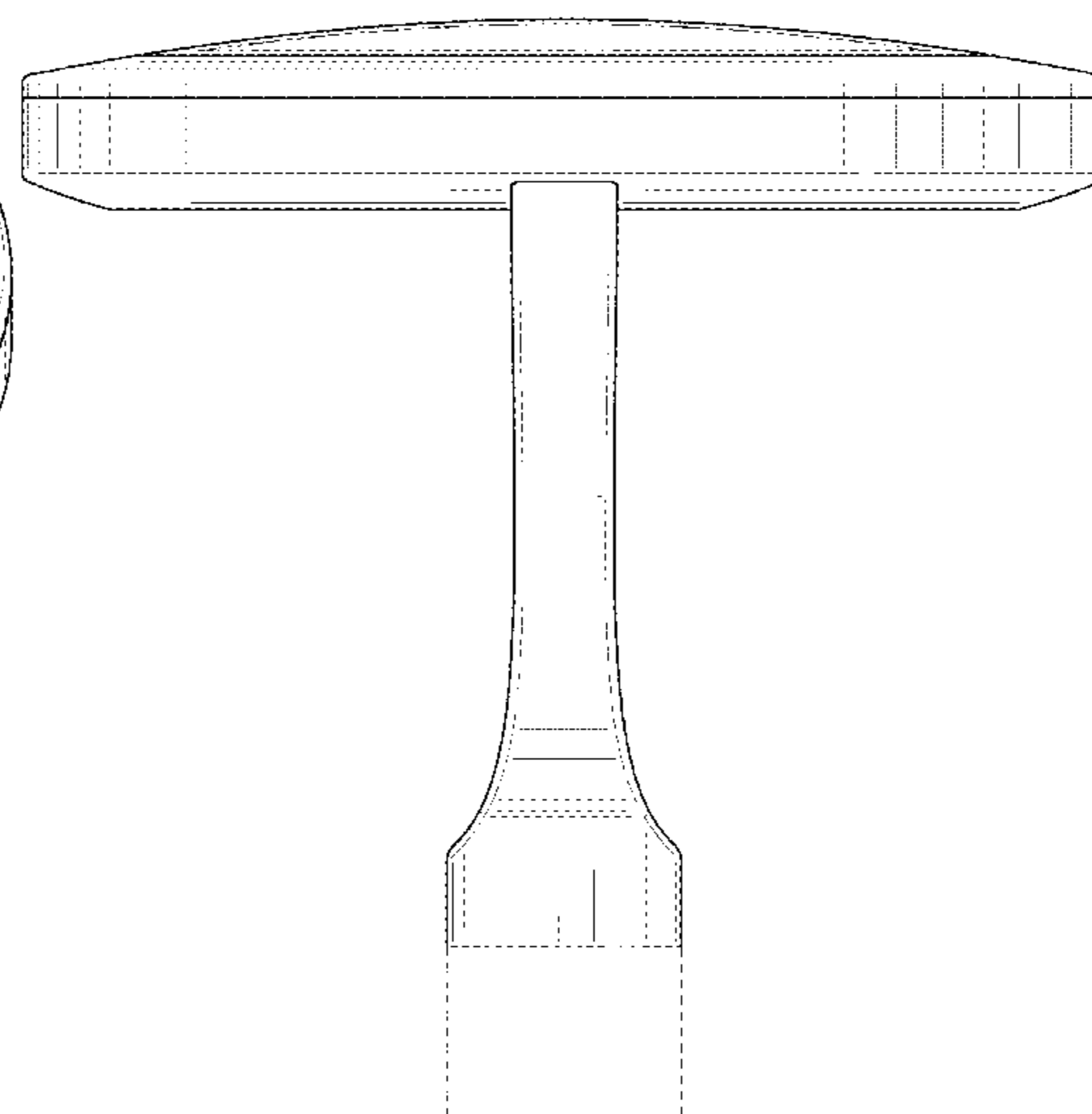
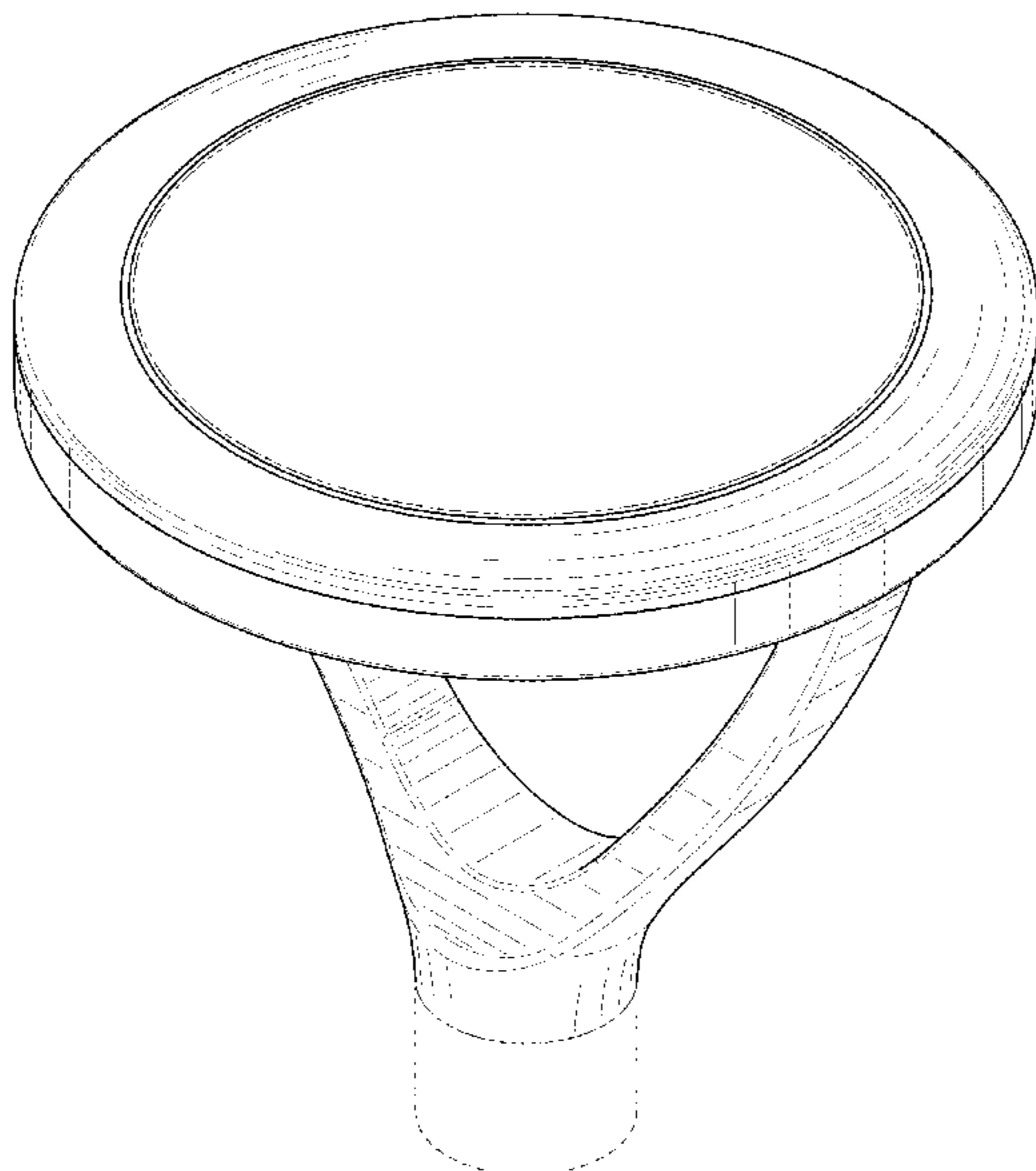
(57) **CLAIM**

The ornamental design for a top mount light fixture, as shown and described.

**DESCRIPTION**

FIG. 1 is a top perspective view of a top mount light fixture. FIG. 2 is a bottom perspective view of the top mount light fixture of FIG. 1. FIG. 3 is a front view of the top mount light fixture of FIG. 1. FIG. 4 is a right side view of the top mount light fixture of FIG. 1. FIG. 5 is a rear view of the top mount light fixture of FIG. 1. FIG. 6 is a left side view of the top mount light fixture of FIG. 1. FIG. 7 is a top view of the top mount light fixture of FIG. 1; and, FIG. 8 is a bottom view of the top mount light fixture of FIG. 1. The details shown in broken lines are for illustrative purposes only and form no part of the claimed design. The dash-dot-dot-dash broken lines represent boundaries of unclaimed portions of the claimed design and form no part of the claimed design.

**1 Claim, 8 Drawing Sheets**



(56)

**References Cited**

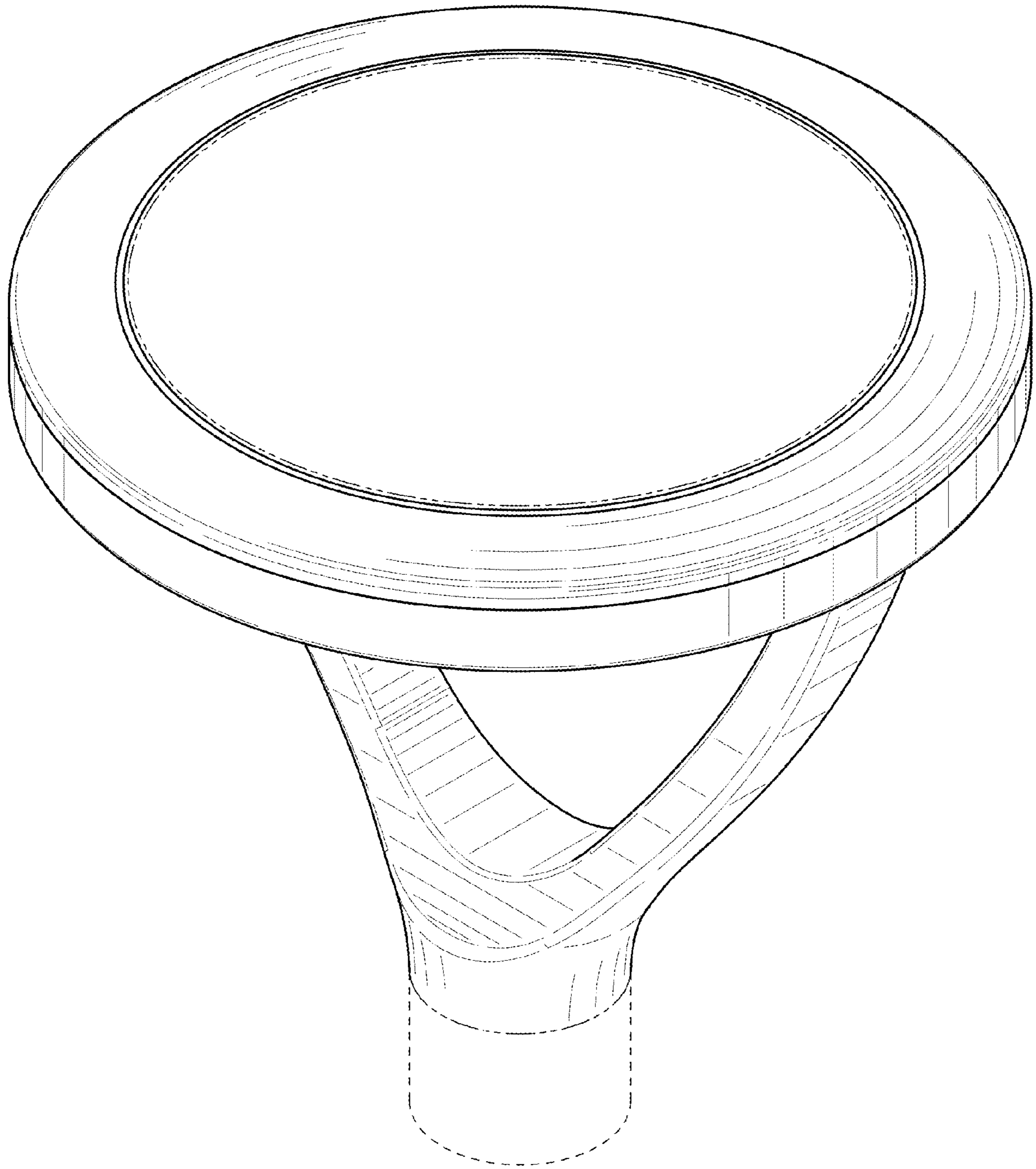
U.S. PATENT DOCUMENTS

D670,018	S *	10/2012	Sauvage .....	D26/68
D678,580	S	3/2013	Rizzi et al.	
D711,034	S	8/2014	Sturgis et al.	
8,845,152	B2 *	9/2014	Butler .....	F21V 21/06 362/431
D741,548	S *	10/2015	Ladewig .....	D28/67
D755,431	S	5/2016	Chen et al.	
D786,467	S *	5/2017	Wan .....	D26/67
D823,517	S	7/2018	Ladewig	
10,222,544	B1 *	3/2019	Moghal .....	G02B 6/0093
D844,877	S *	4/2019	Ladewig .....	D26/68
D853,615	S *	7/2019	Ahrari .....	D26/67
2004/0095773	A1	5/2004	Gaskins et al.	
2009/0086491	A1	4/2009	Ruud et al.	
2009/0109676	A1 *	4/2009	Lodhie .....	F21K 9/00 362/249.06
2009/0296392	A1 *	12/2009	Wilcox .....	F21S 8/081 362/249.02
2011/0222284	A1	9/2011	Kong et al.	
2012/0057340	A1	3/2012	Rami et al.	
2013/0148361	A1 *	6/2013	Chen .....	F21S 8/088 362/296.05

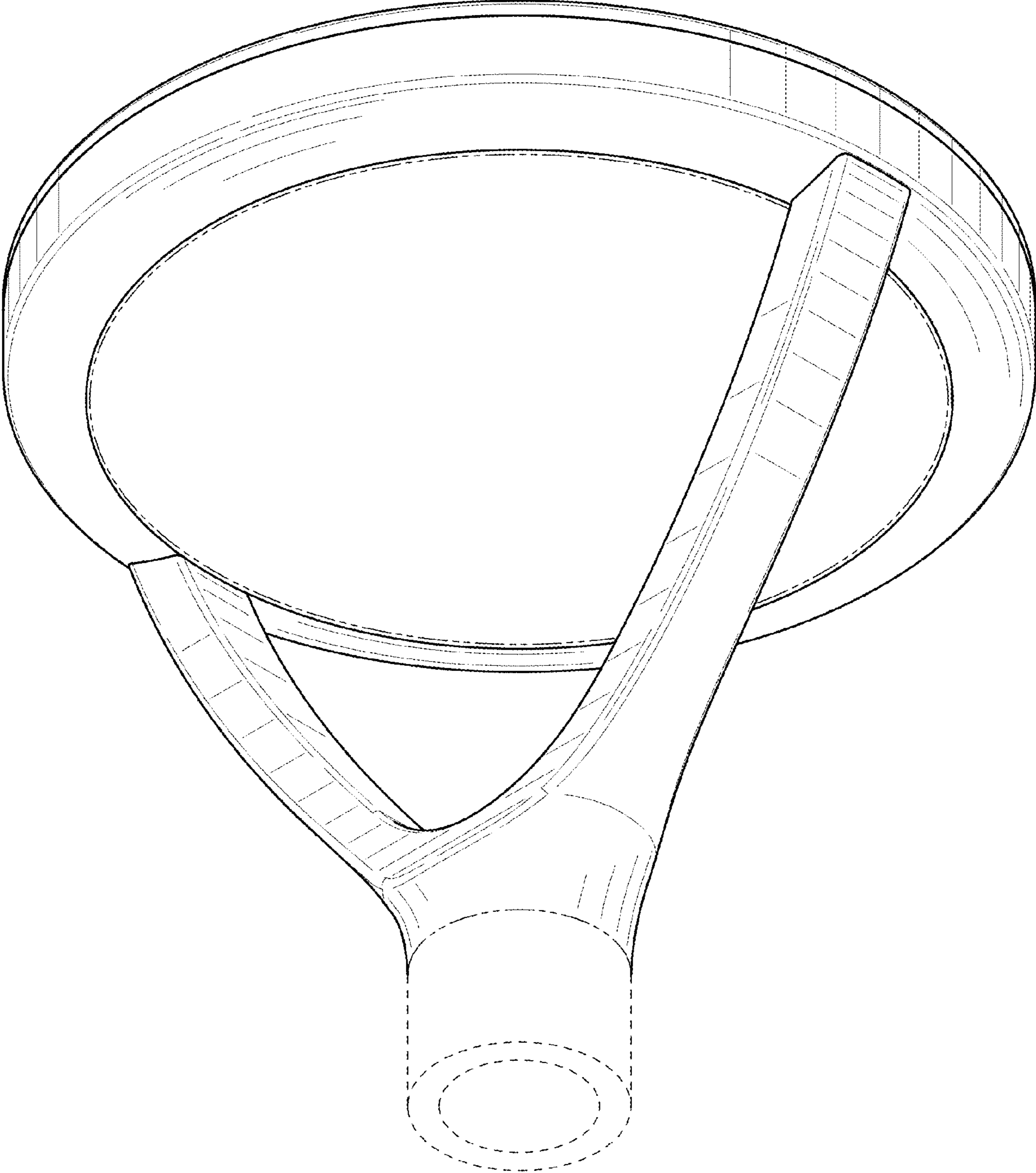
OTHER PUBLICATIONS

U.S. Appl. No. 29/643,734 , “Restriction Requirement”, dated Feb. 8, 2019, 7 pages.

\* cited by examiner

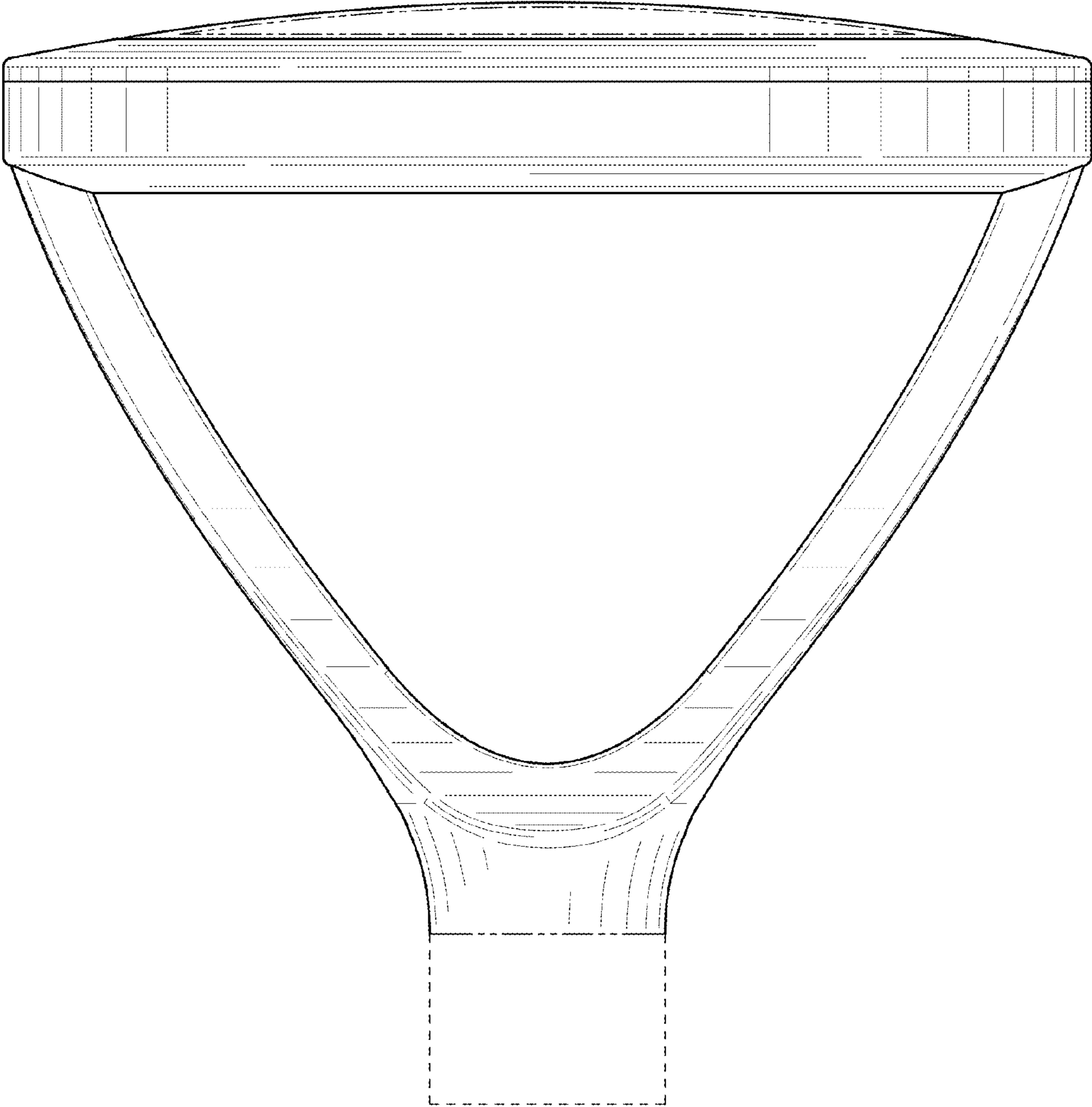


**FIG. 1**

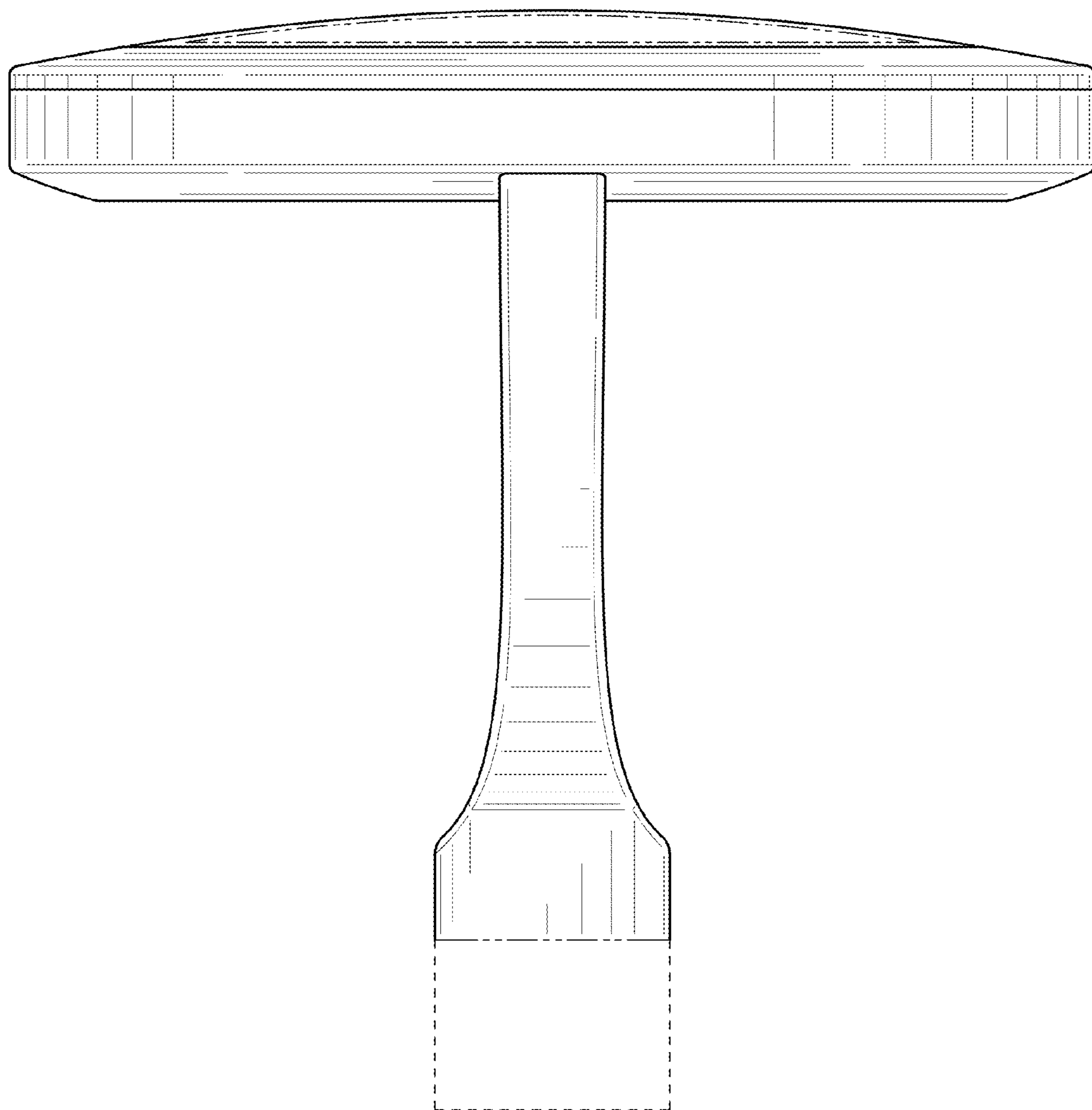


**FIG. 2**

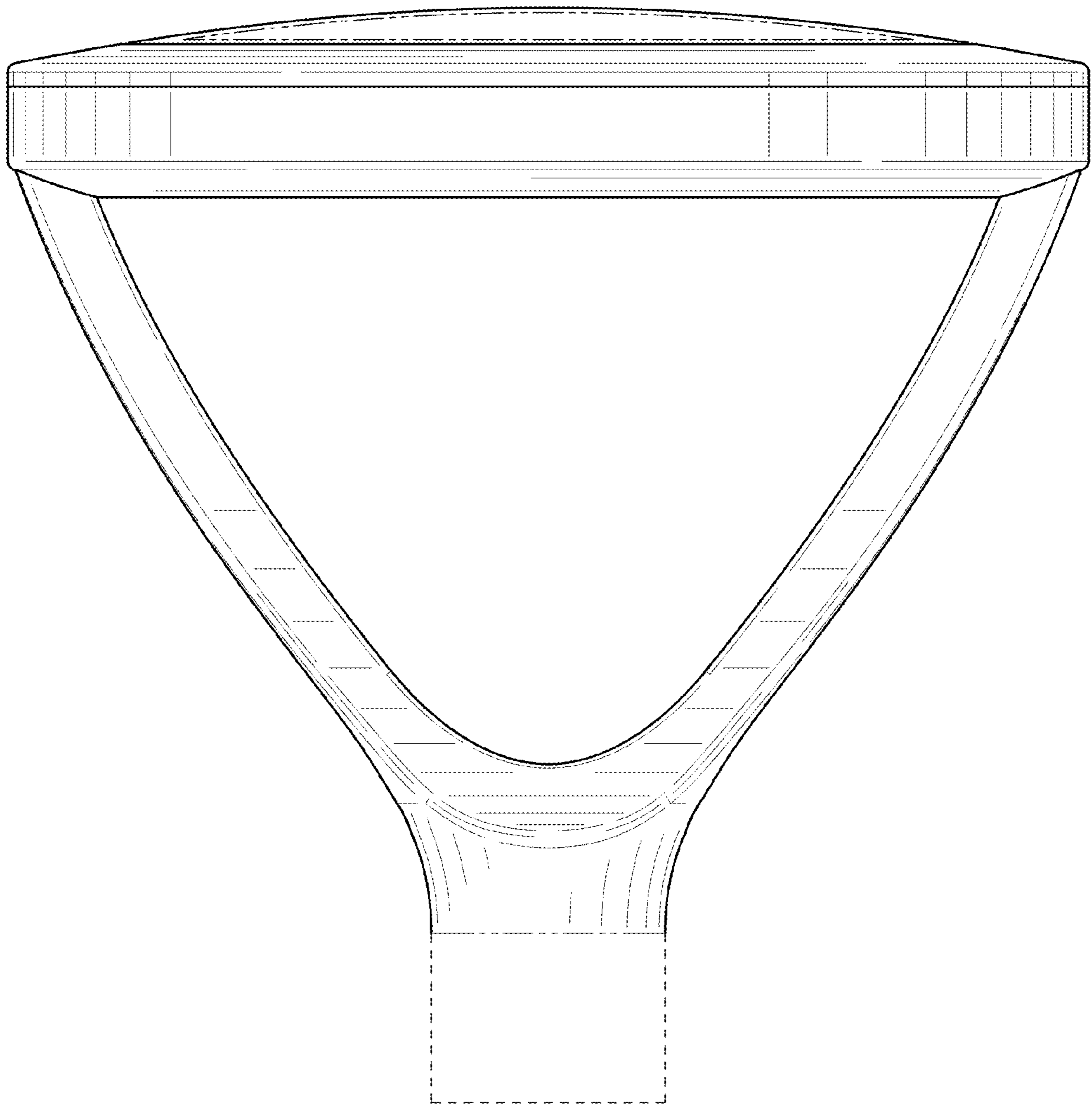




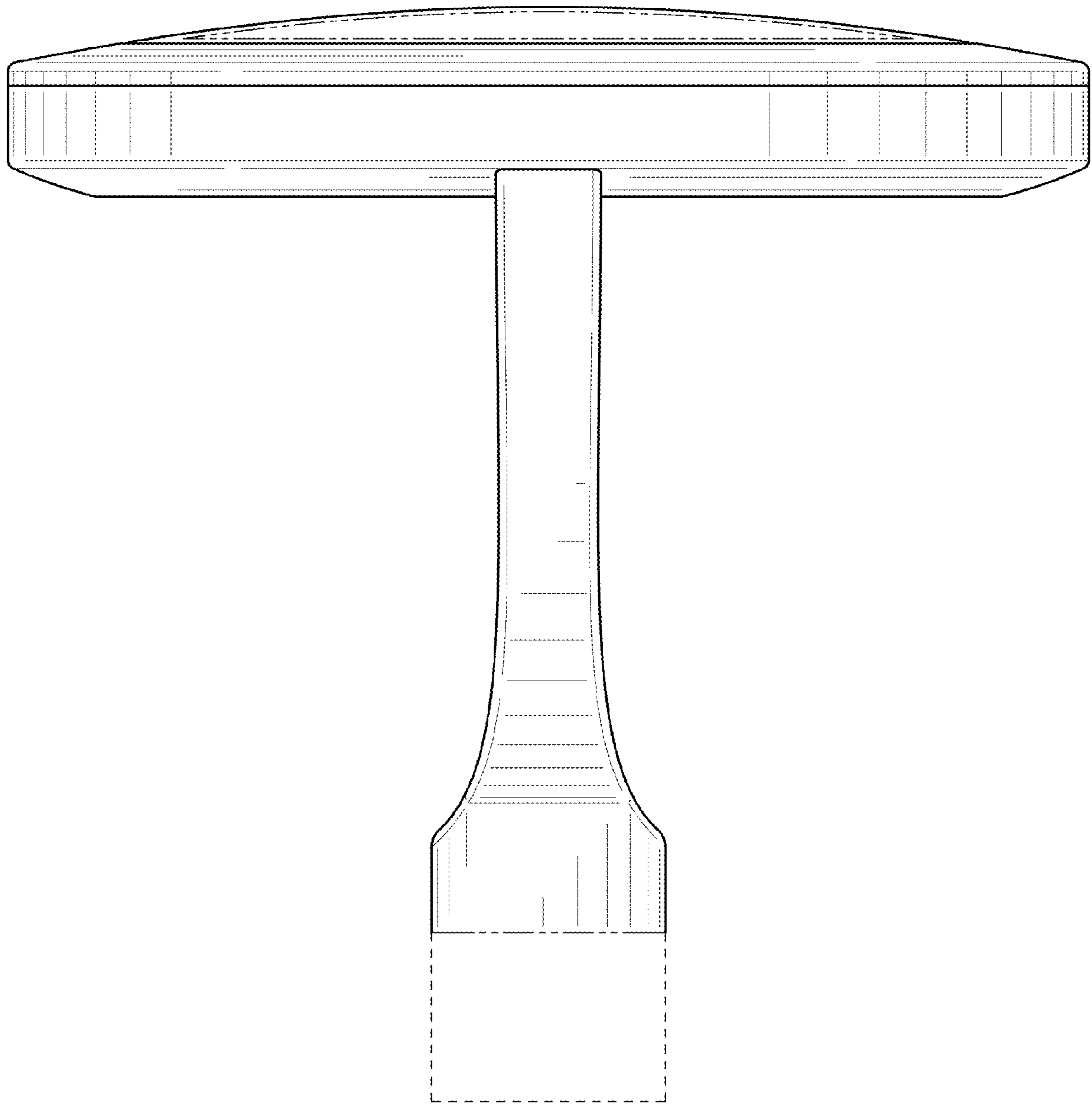
**FIG. 3**



**FIG. 4**

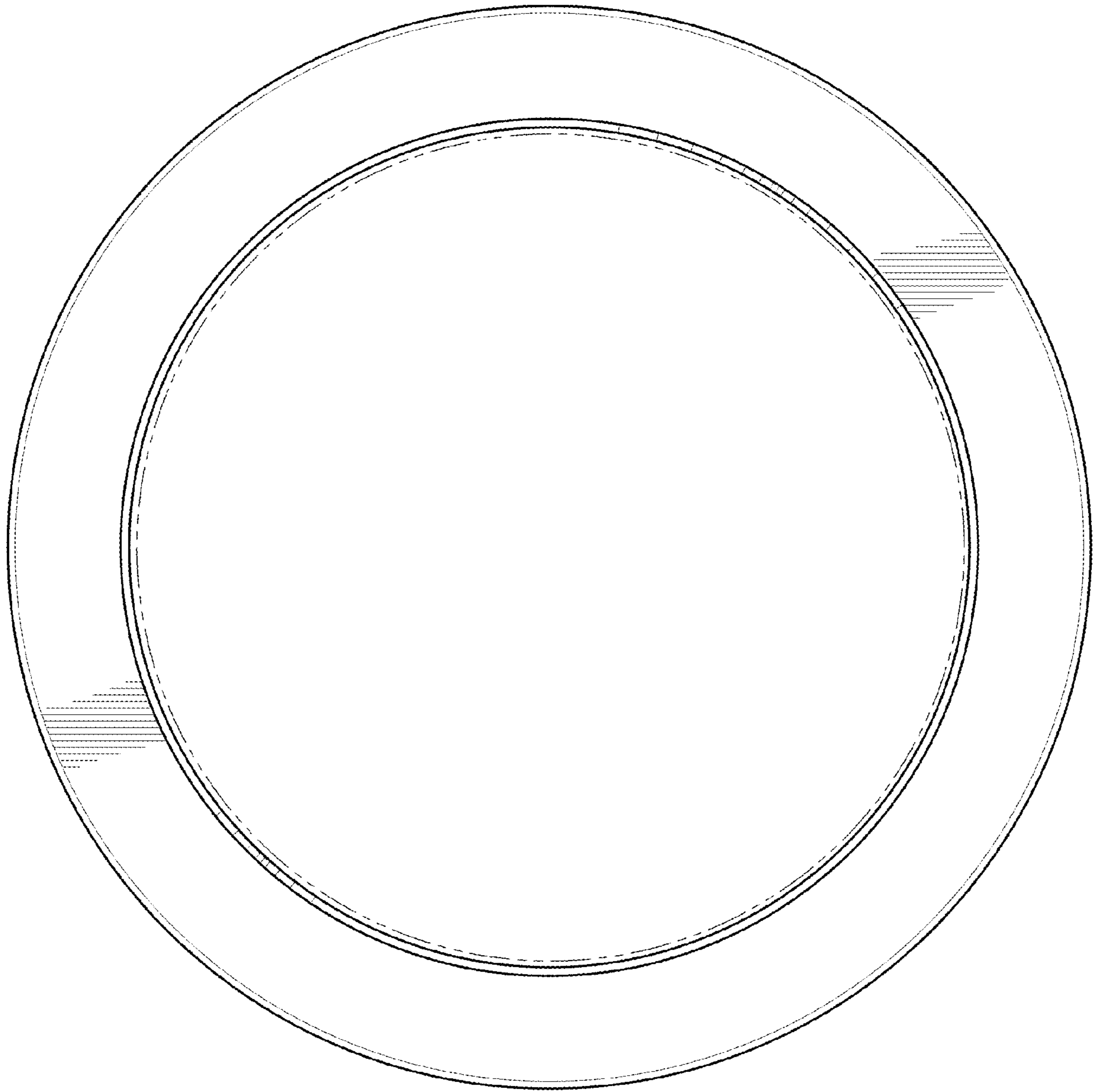


**FIG. 5**

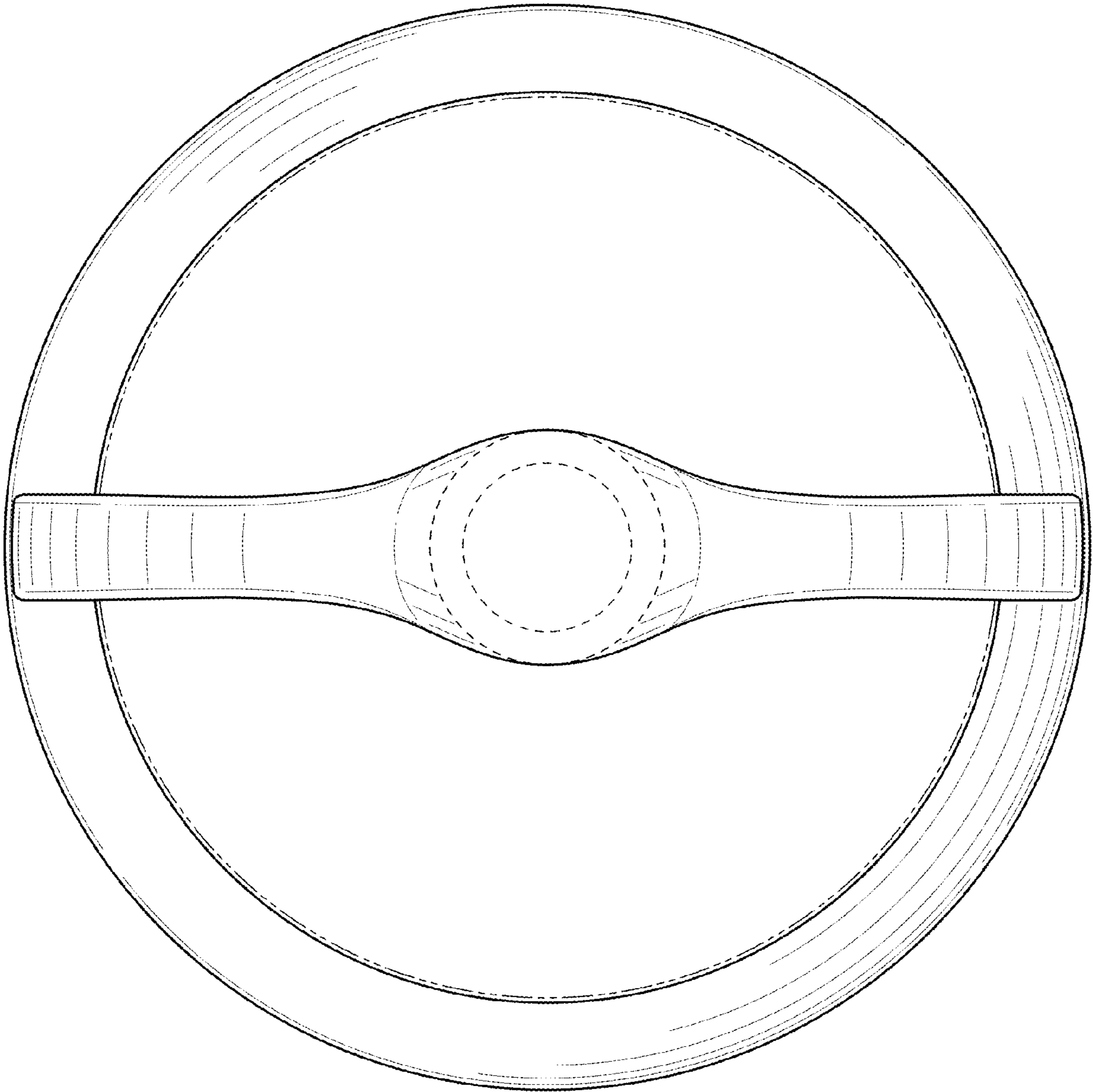


**FIG. 6**





**FIG. 7**



**FIG. 8**