



US00D877384S

(12) **United States Design Patent** (10) **Patent No.:** **US D877,384 S**  
**Joshi et al.** (45) **Date of Patent:** **\*\* Mar. 3, 2020**

(54) **FLOOD LIGHT**  
(71) Applicant: **Eaton Intelligent Power Limited,**  
Dublin (IE)  
(72) Inventors: **Tanmay Joshi, Pune (IN); Terry**  
**Headrick, Tyrone, GA (US)**  
(73) Assignee: **Eaton Intelligent Power Limited,**  
Dublin (IE)  
(\*\*) Term: **15 Years**  
(21) Appl. No.: **29/661,394**  
(22) Filed: **Aug. 27, 2018**  
(51) **LOC (12) Cl.** ..... **26-05**  
(52) **U.S. Cl.**  
USPC ..... **D26/63; D26/118**  
(58) **Field of Classification Search**  
USPC ..... D26/24, 25, 35, 60, 61, 63, 65, 70, 72,  
D26/81, 83, 92, 102, 11, 118, 124;  
D16/239; D14/126  
CPC ..... F21V 21/02; F21V 21/06; F21V 21/14;  
F21V 21/26; F21V 21/30; F21V 5/007;  
F21V 14/00; F21V 14/02; F21V 14/04;  
F21V 14/06; F21W 2131/10; F21W  
2131/40; F21W 2131/107; F21W  
2131/109; F21W 2131/401-407; F21W  
2131/1005; F21S 8/00; F21S 8/04; F21S  
8/08; F21S 8/003; F21S 8/043  
See application file for complete search history.

(56) **References Cited**  
U.S. PATENT DOCUMENTS  
D370,070 S \* 5/1996 Kay ..... D26/63  
D413,996 S \* 9/1999 Andrus ..... D26/63  
D414,579 S \* 9/1999 Denison ..... D26/63  
D542,959 S \* 5/2007 Yao ..... D26/63  
D647,234 S \* 10/2011 Izardel ..... D26/65

D654,200 S \* 2/2012 Chen ..... D26/63  
D654,605 S \* 2/2012 Chen ..... D26/63  
D654,606 S \* 2/2012 Chen ..... D26/63  
D773,707 S \* 12/2016 Lentine ..... D26/63  
D777,965 S \* 1/2017 Mirchandani ..... D26/63  
D790,100 S \* 6/2017 Jadhav ..... D26/63  
D793,599 S \* 8/2017 Brynjolfsson ..... D26/63  
D797,974 S \* 9/2017 Liang ..... D26/63  
D797,975 S \* 9/2017 Lentine ..... D26/63  
D798,484 S \* 9/2017 Lentine ..... D26/63  
D799,730 S \* 10/2017 Jadhav ..... D26/63  
D804,083 S \* 11/2017 Lentine ..... D26/118  
D818,171 S \* 5/2018 Brynjolfsson ..... D26/63  
D822,869 S \* 7/2018 Akinrele ..... D26/71  
D827,175 S \* 8/2018 Yang ..... D26/63  
D827,896 S \* 9/2018 Yang ..... D26/63  
D827,897 S \* 9/2018 Yang ..... D26/63  
D828,943 S \* 9/2018 Yang ..... D26/63  
D837,430 S \* 1/2019 Yang ..... D26/63  
D837,431 S \* 1/2019 Peng ..... D26/63

(Continued)

*Primary Examiner* — Wan Laymon  
*Assistant Examiner* — Clint A Samuel  
(74) *Attorney, Agent, or Firm* — King & Spalding LLP

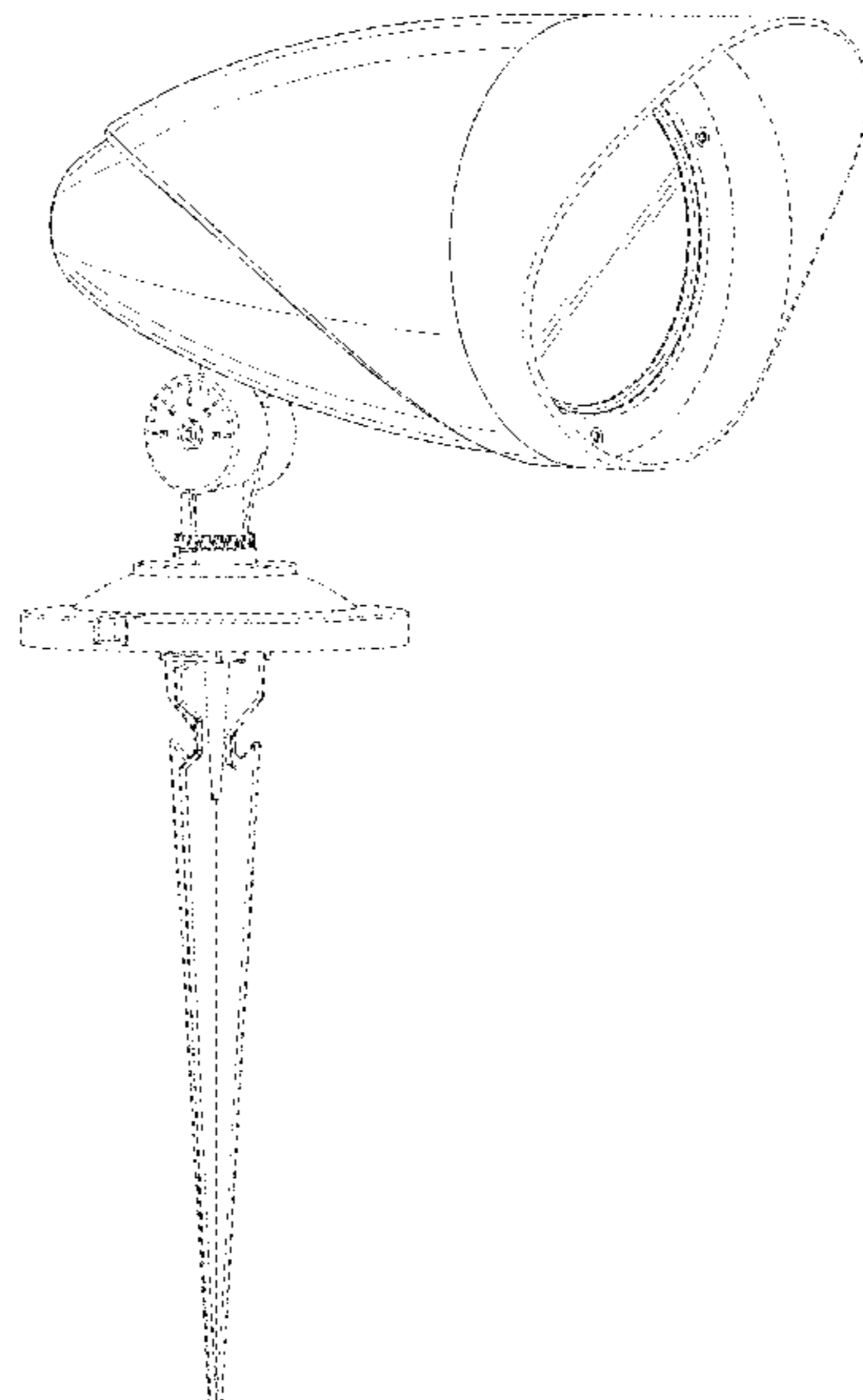
(57) **CLAIM**

The ornamental design for a flood light, as shown and described.

**DESCRIPTION**

FIG. 1 is a top front perspective view of a flood light, showing our new design;  
FIG. 2 is a bottom back perspective view thereof;  
FIG. 3 is a front elevation view thereof;  
FIG. 4 is a back elevation view thereof;  
FIG. 5 is a left side elevation view thereof;  
FIG. 6 is a right side elevation view thereof;  
FIG. 7 is a top plan view thereof; and,  
FIG. 8 is a bottom view thereof.  
The broken lines shown in the figures illustrate portions of the flood light that form no part of the claimed design.

**1 Claim, 8 Drawing Sheets**



(56)

**References Cited**

U.S. PATENT DOCUMENTS

D838,889 S *	1/2019	Liu .....	D26/63
D838,890 S *	1/2019	Xiong .....	D26/63
D841,210 S *	2/2019	Ye .....	D26/63
D849,981 S *	5/2019	Hwa .....	D26/63
D851,312 S *	6/2019	Hwa .....	D26/63
D853,612 S *	7/2019	Zhu .....	D26/63
D859,718 S *	9/2019	Groat .....	D26/63
2018/0328575 A1 *	11/2018	Khubani .....	F21V 14/00

\* cited by examiner

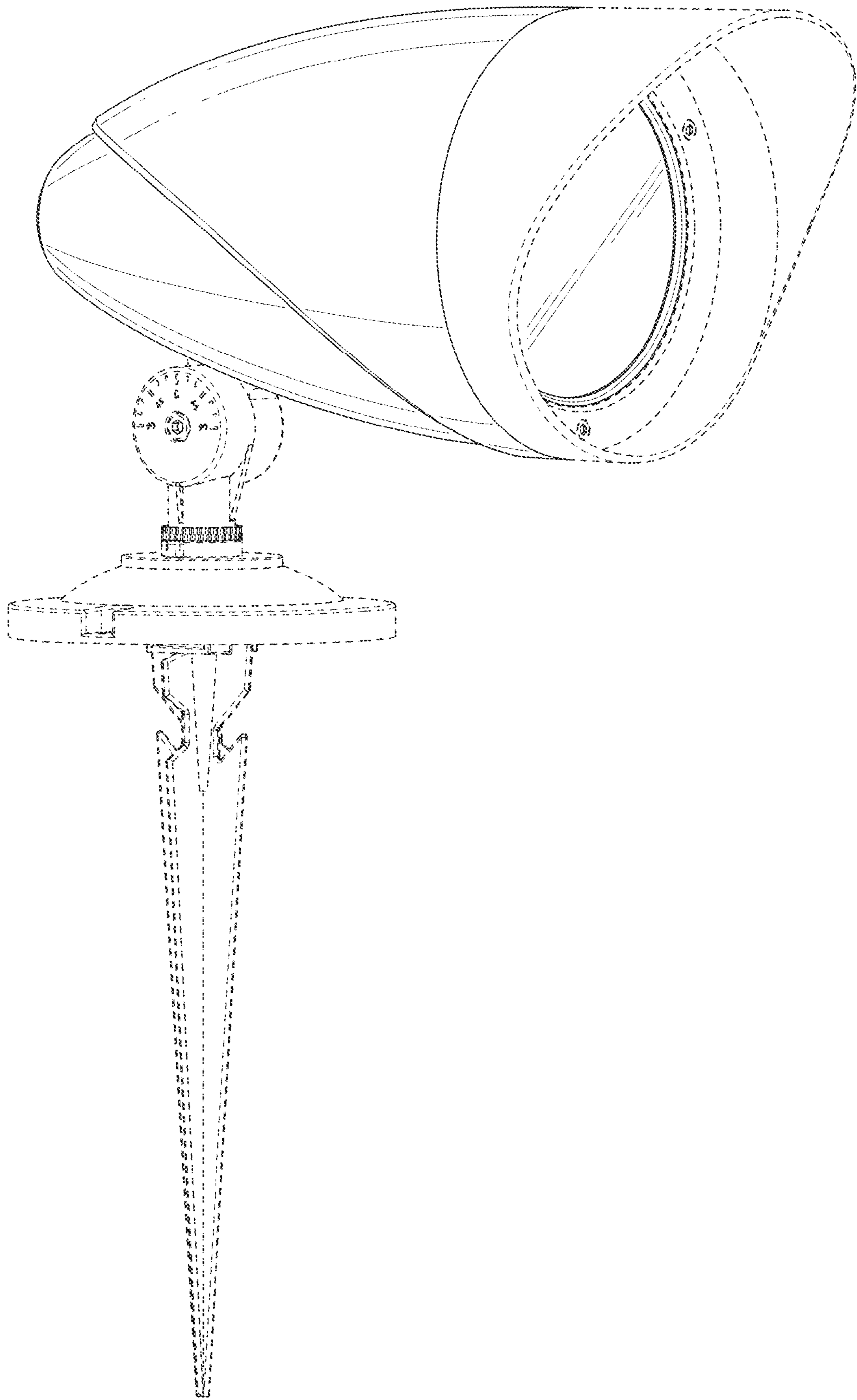


FIG. 1

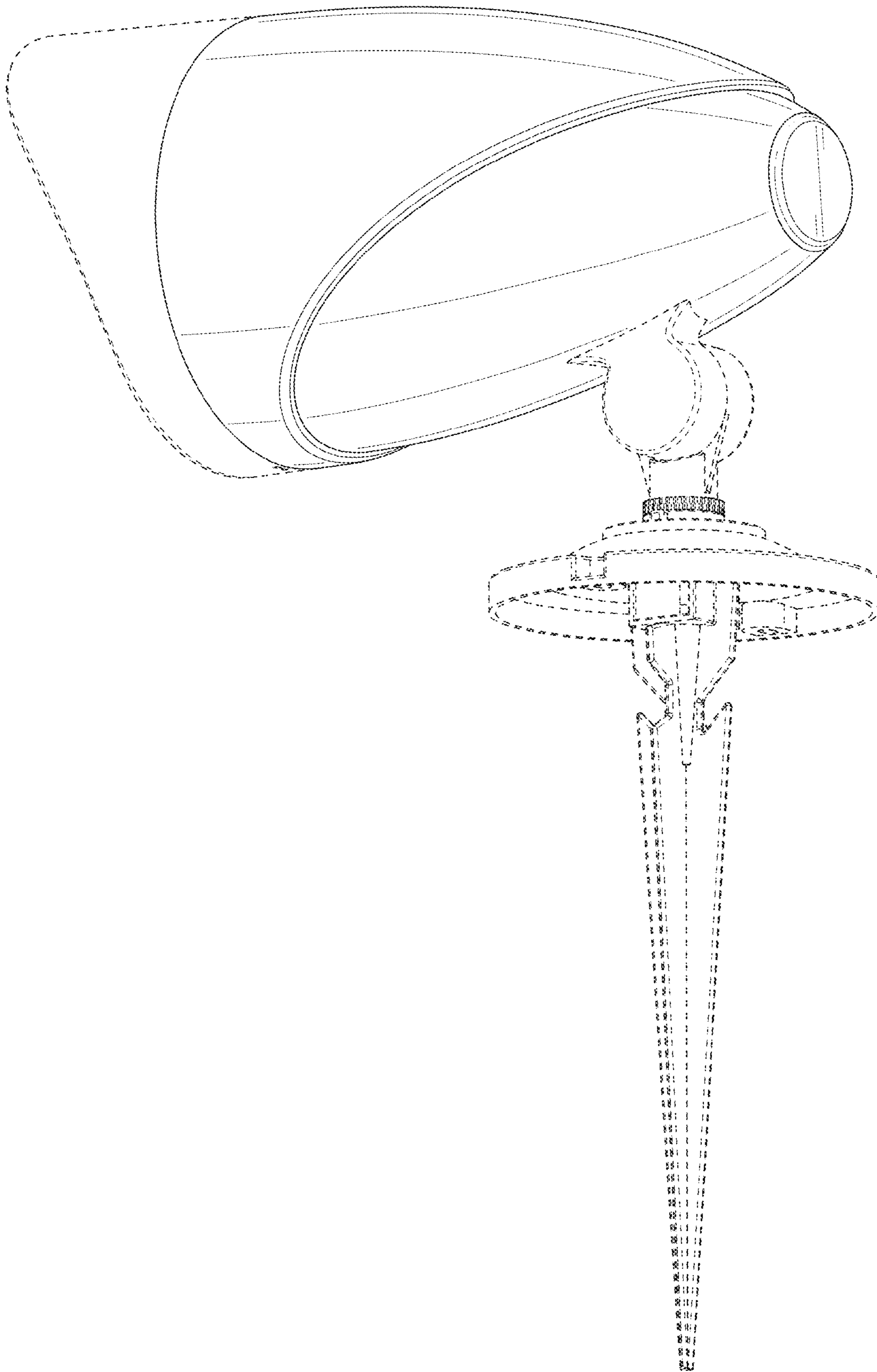


FIG. 2

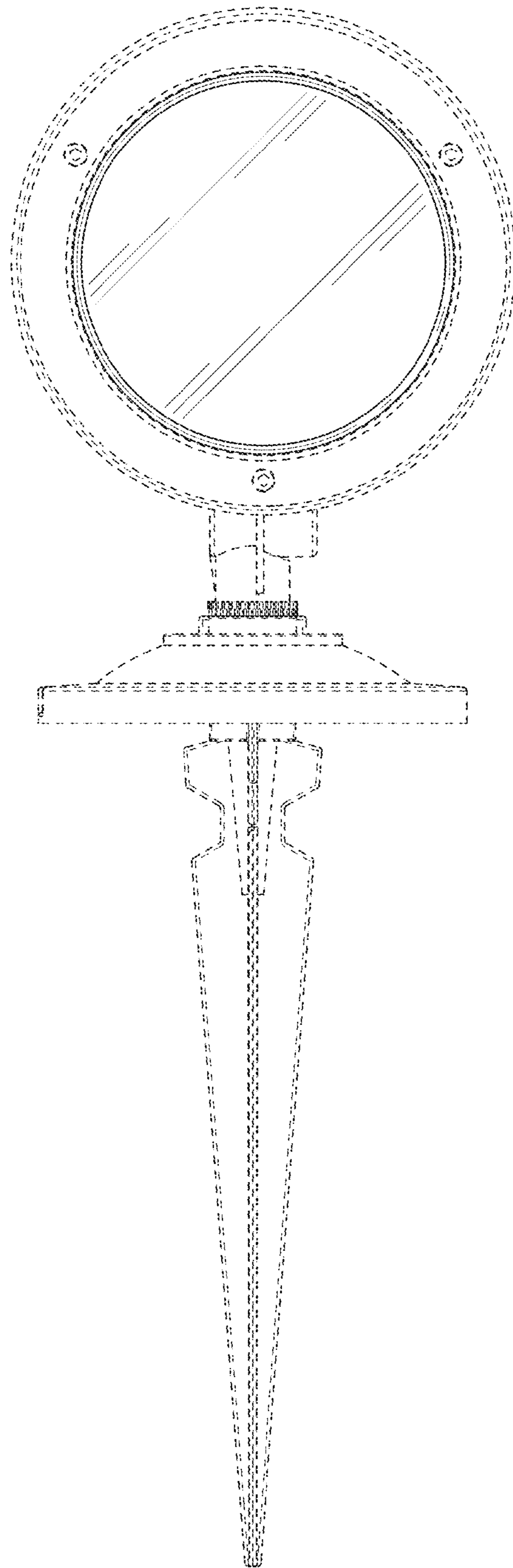


FIG. 3



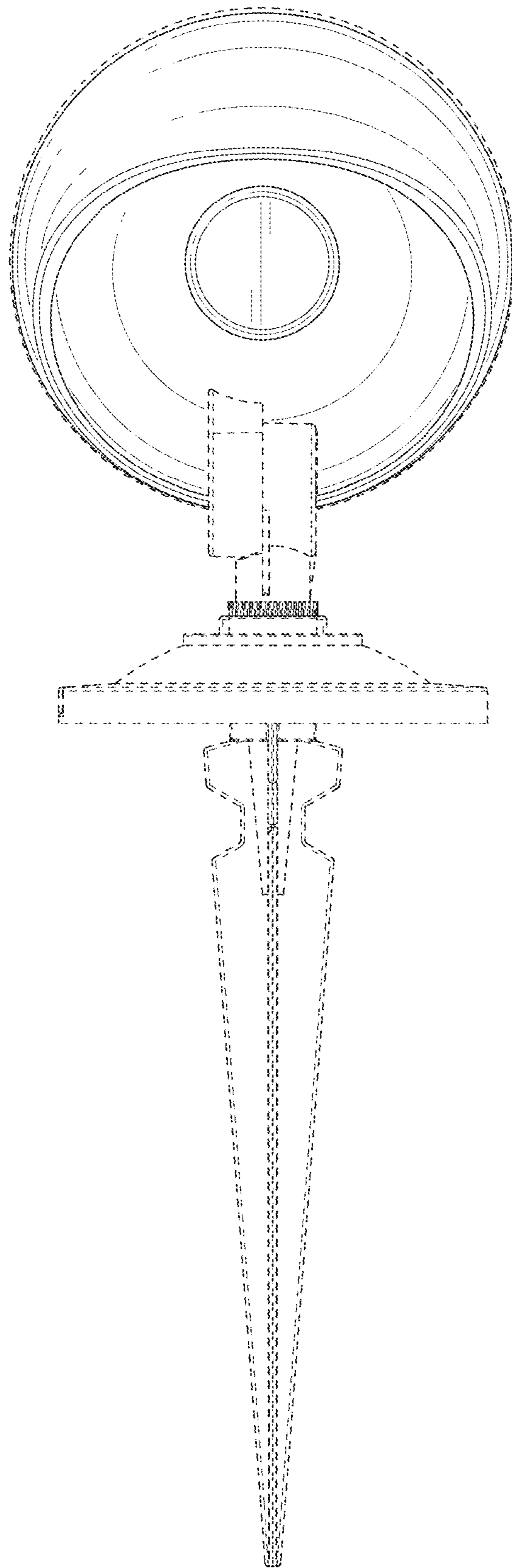


FIG. 4

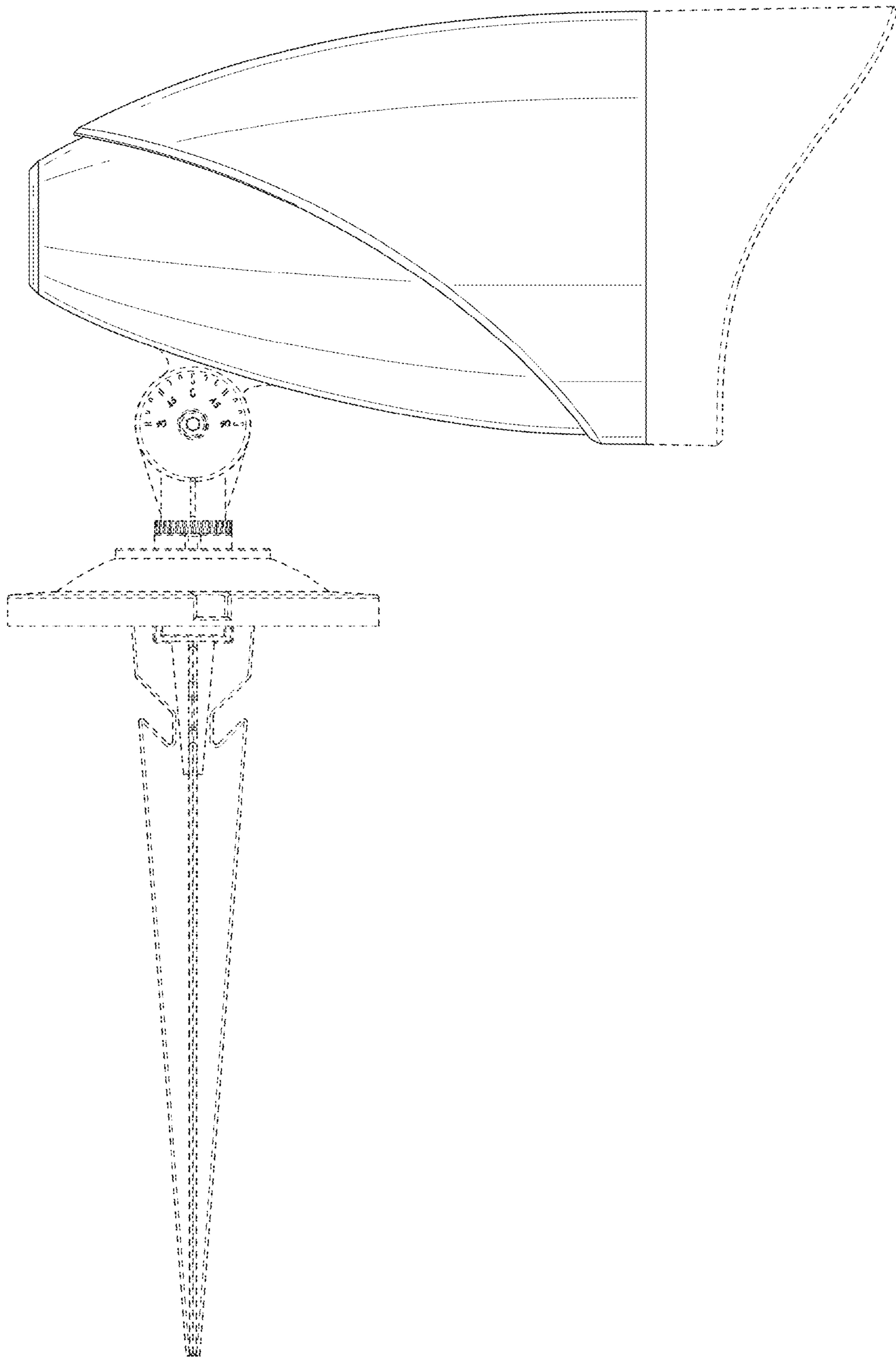


FIG. 5

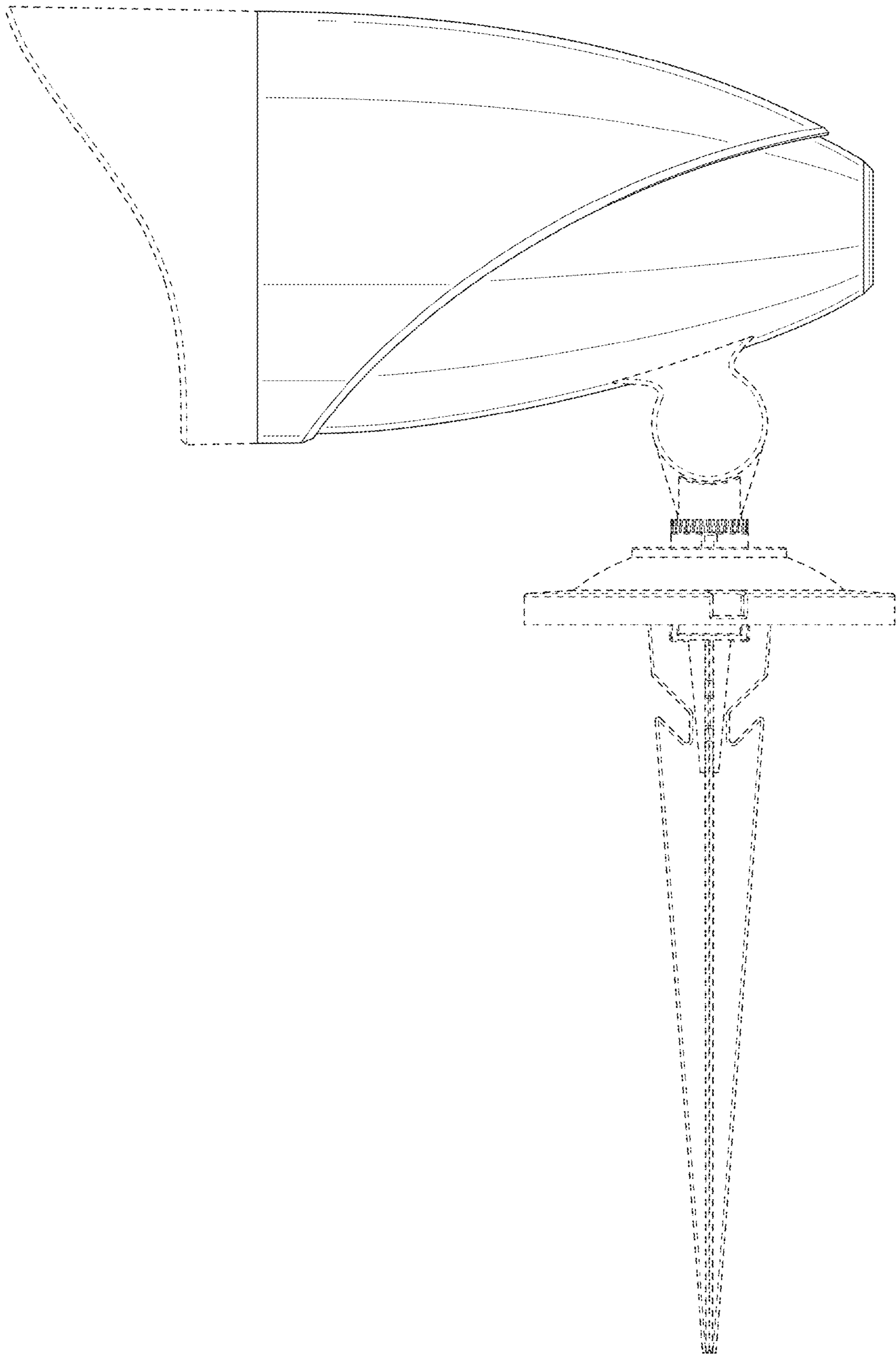


FIG. 6



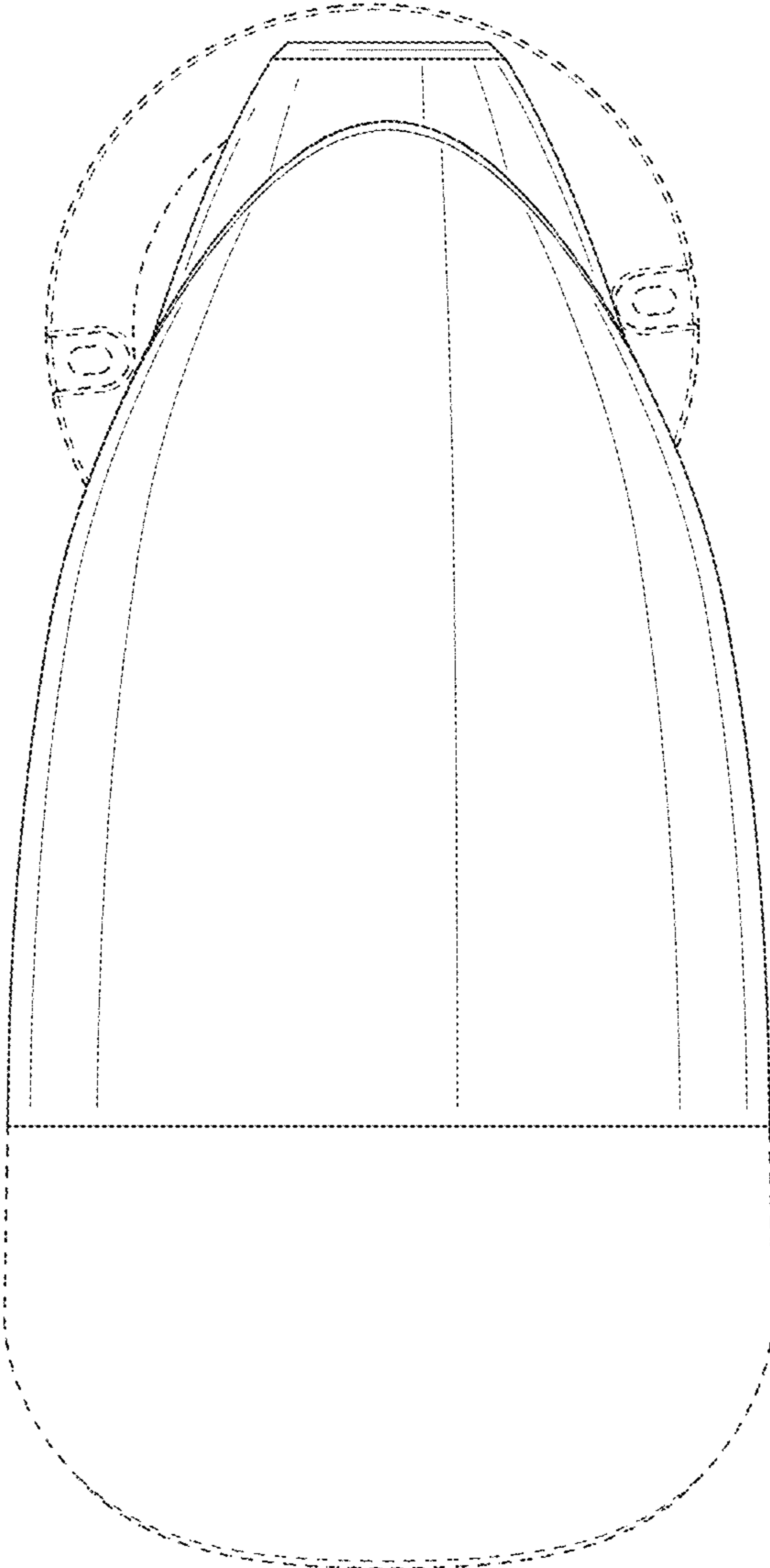


FIG. 7

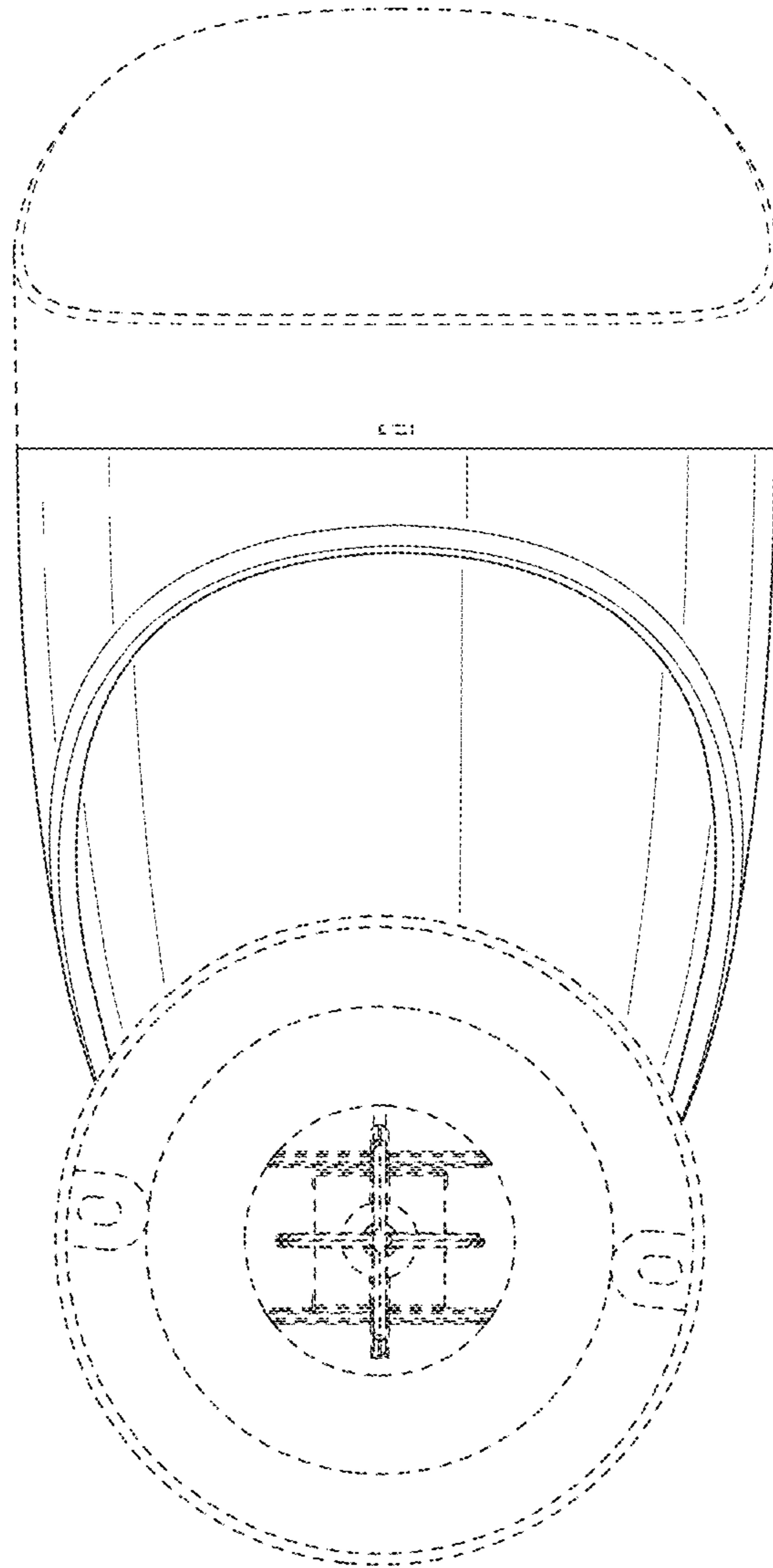


FIG. 8