



US00D877383S

(12) **United States Design Patent**
Leahy et al.

(10) **Patent No.:** **US D877,383 S**

(45) **Date of Patent:** **** Mar. 3, 2020**

(54) **LIGHTING FIXTURE**

(71) Applicant: **Lumenture, LLC**, Redding, CT (US)

(72) Inventors: **James D. Leahy**, Redding, CT (US);
Andrew F. Sack, Redding, CT (US)

(73) Assignee: **Lumenture, LLC**, Redding, CT (US)

(**) Term: **15 Years**

(21) Appl. No.: **29/629,789**

(22) Filed: **Dec. 15, 2017**

(51) **LOC (12) Cl.** **26-03**

(52) **U.S. Cl.**
USPC **D26/63**

(58) **Field of Classification Search**
USPC D26/60-66, 72, 85, 87, 92
CPC . F21K 9/00; F21V 5/007; F21V 7/005; F21V
7/0083; F21V 11/04; F21V 11/14; F21V
15/01; F21V 19/001; F21V 21/002; F21V
21/06; F21V 21/0885; F21V 21/145;
F21V 21/30; F21V 33/0024; F21V 7/05
See application file for complete search history.

(56) **References Cited**

U.S. PATENT DOCUMENTS

D757,976 S * 5/2016 Eustace D26/63
D785,220 S * 4/2017 Swai D26/63

D827,174 S * 8/2018 Yu D26/63
D836,231 S * 12/2018 Swai D26/63
D838,025 S * 1/2019 Yu D26/63

* cited by examiner

Primary Examiner — Brian N. Vinson

(74) *Attorney, Agent, or Firm* — Winthrop & Weinstine,
P.A.

(57) **CLAIM**

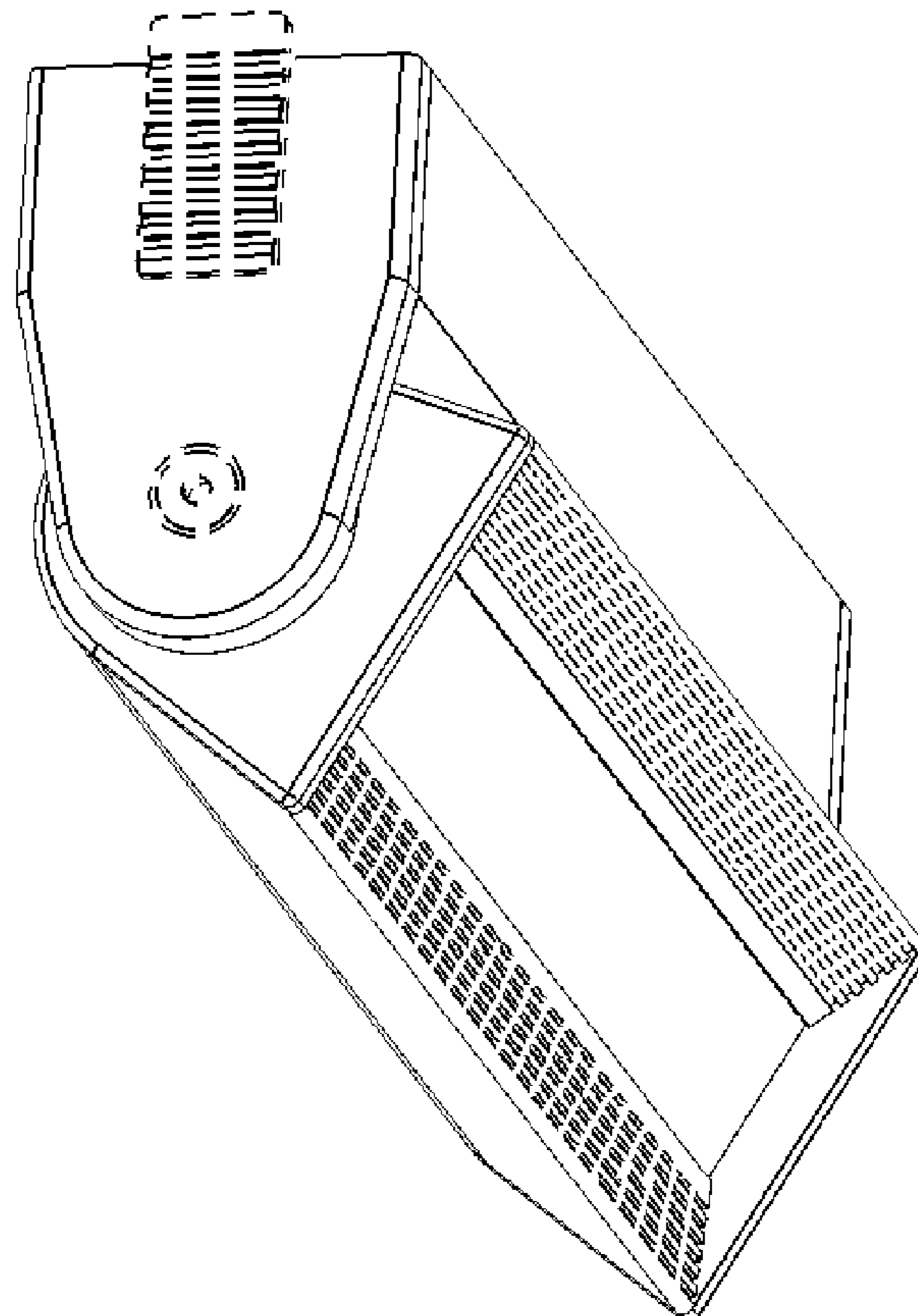
The ornamental design for a lighting fixture, as shown and described.

DESCRIPTION

FIG. 1 is a top, right perspective for the lighting fixture;
FIG. 2 is a top, left perspective view thereof;
FIG. 3 is a top view thereof;
FIG. 4 is a left side view thereof;
FIG. 5 is a front end view thereof;
FIG. 6 is a top cross-sectional view thereof;
FIG. 7 is a bottom cross-sectional view thereof;
FIG. 8 is a right side view thereof;
FIG. 9 is a back, bottom, left perspective view thereof;
FIG. 10 is a back, bottom, right perspective view thereof;
FIG. 11 is a bottom view thereof;
FIG. 12 is a front, bottom, right perspective view thereof;
FIG. 13 is a front, bottom, left perspective view thereof; and,
FIG. 14 is a back end view thereof.

The broken lines are included for the purpose of illustrating the portions of the lighting fixture that form no part of the claimed design.

1 Claim, 13 Drawing Sheets



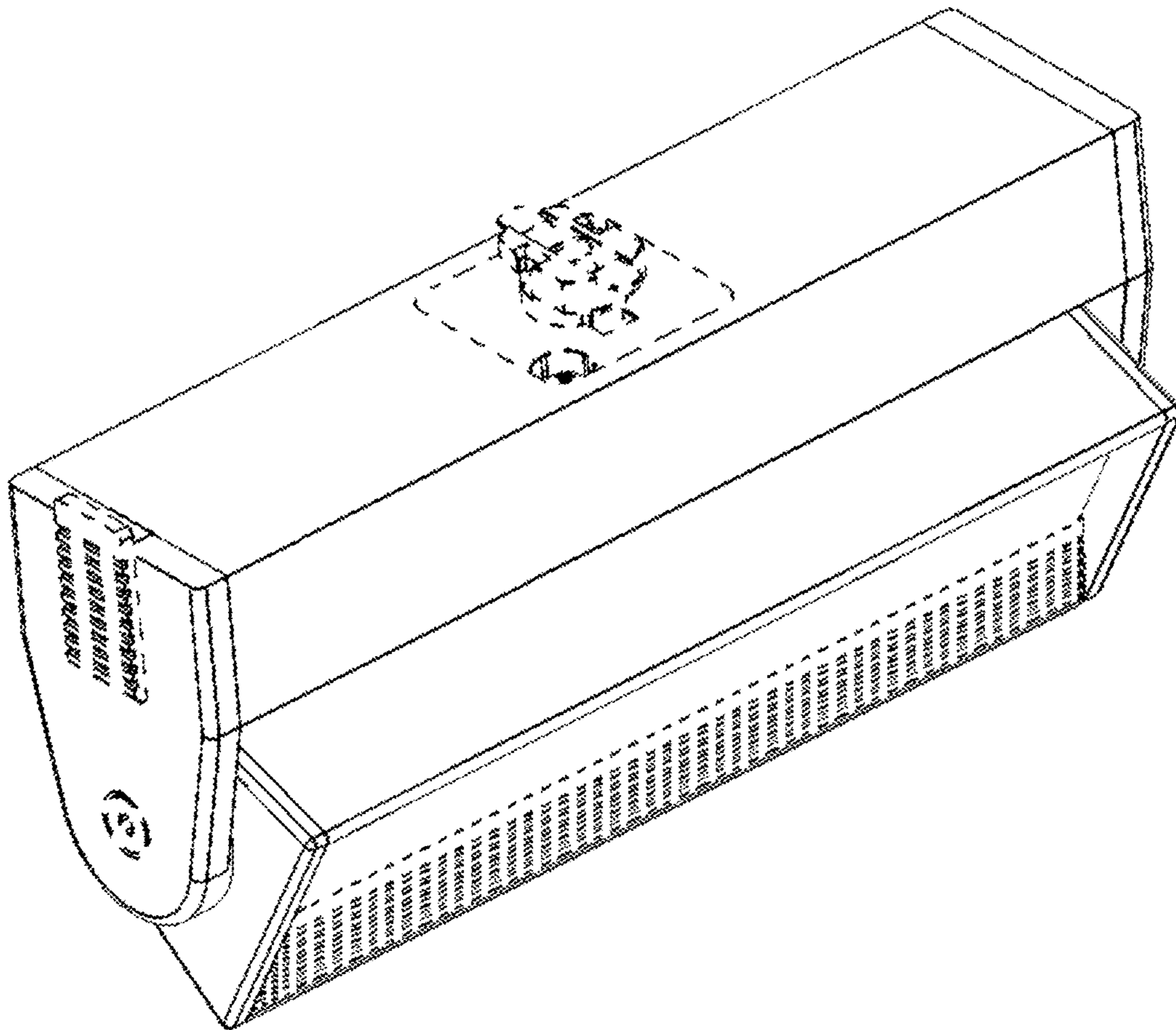


FIG. 1

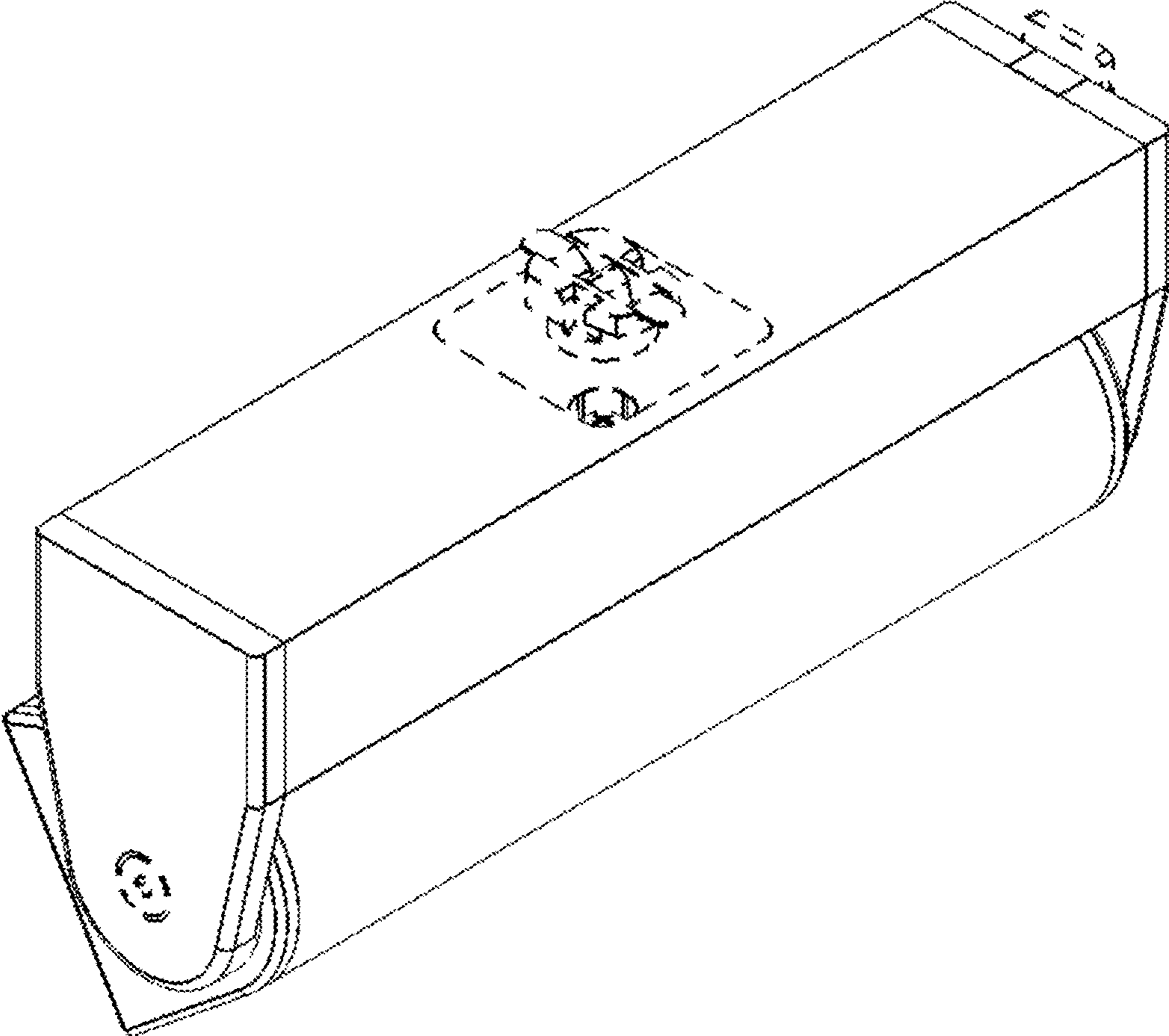


FIG. 2

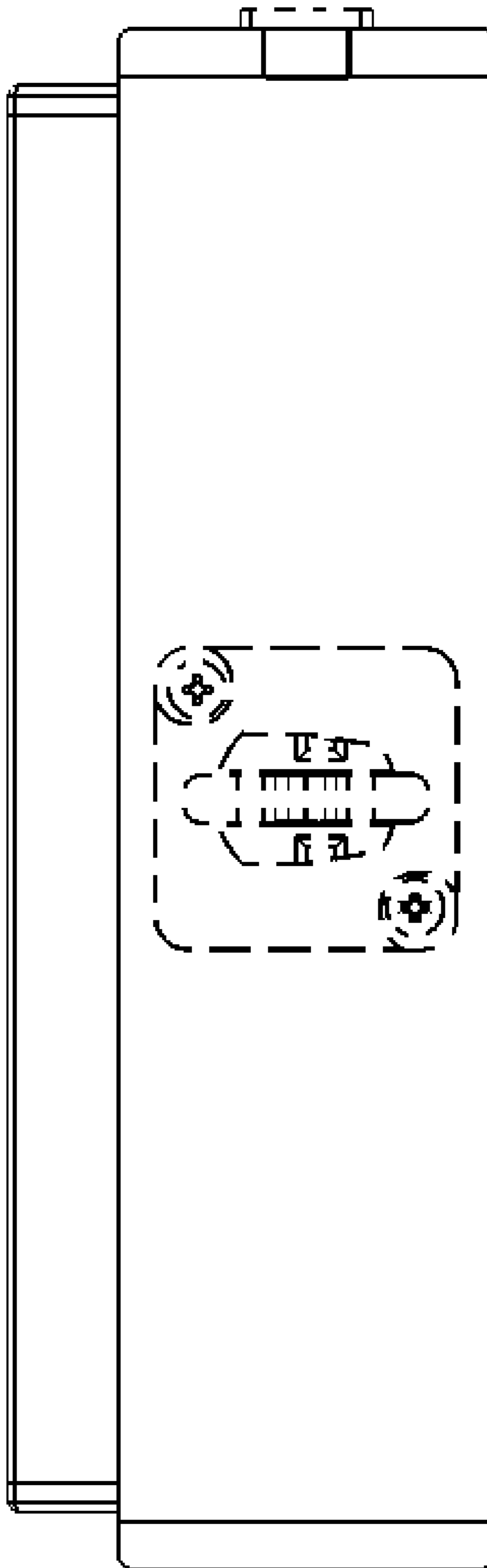


FIG. 3

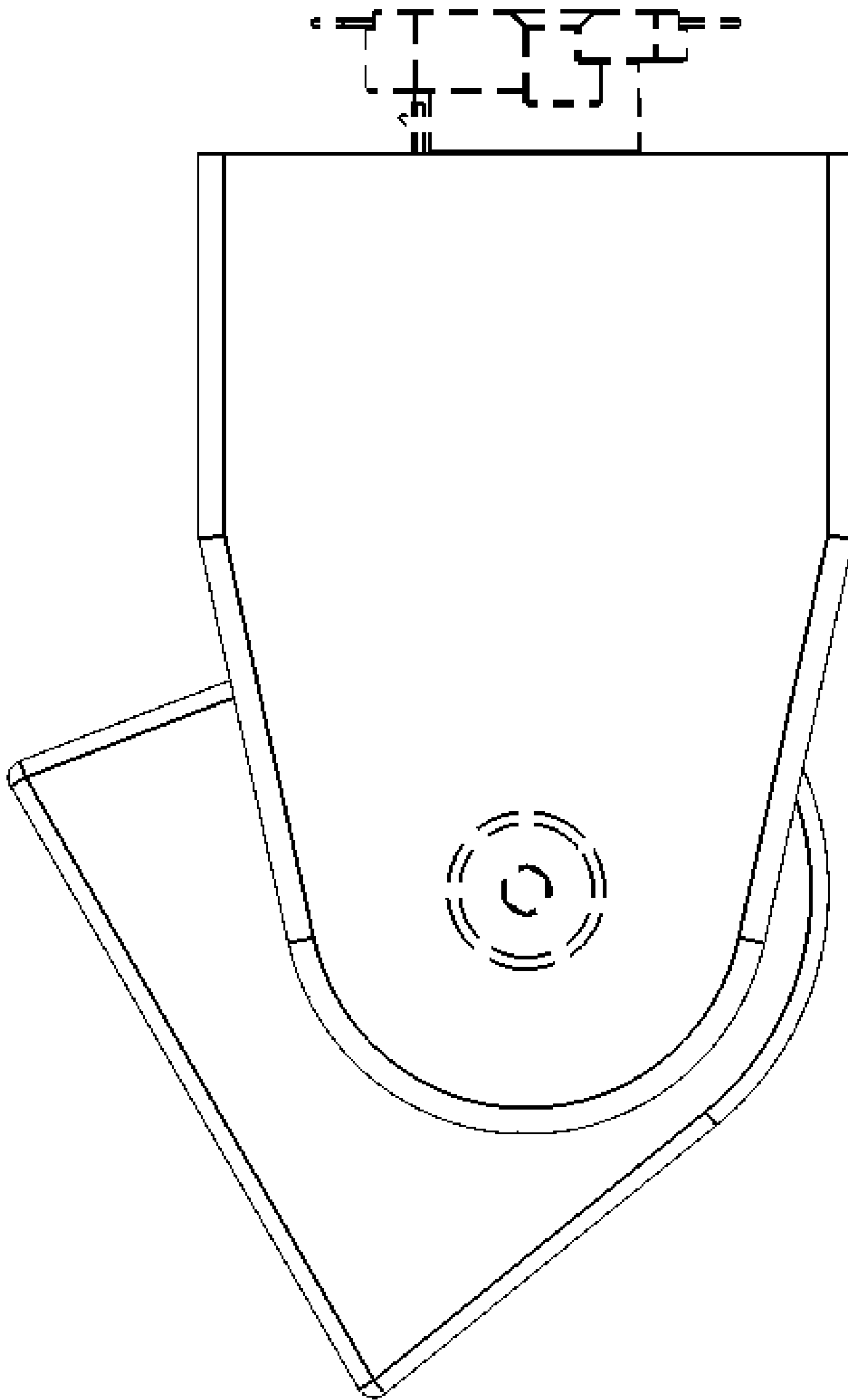


FIG. 4

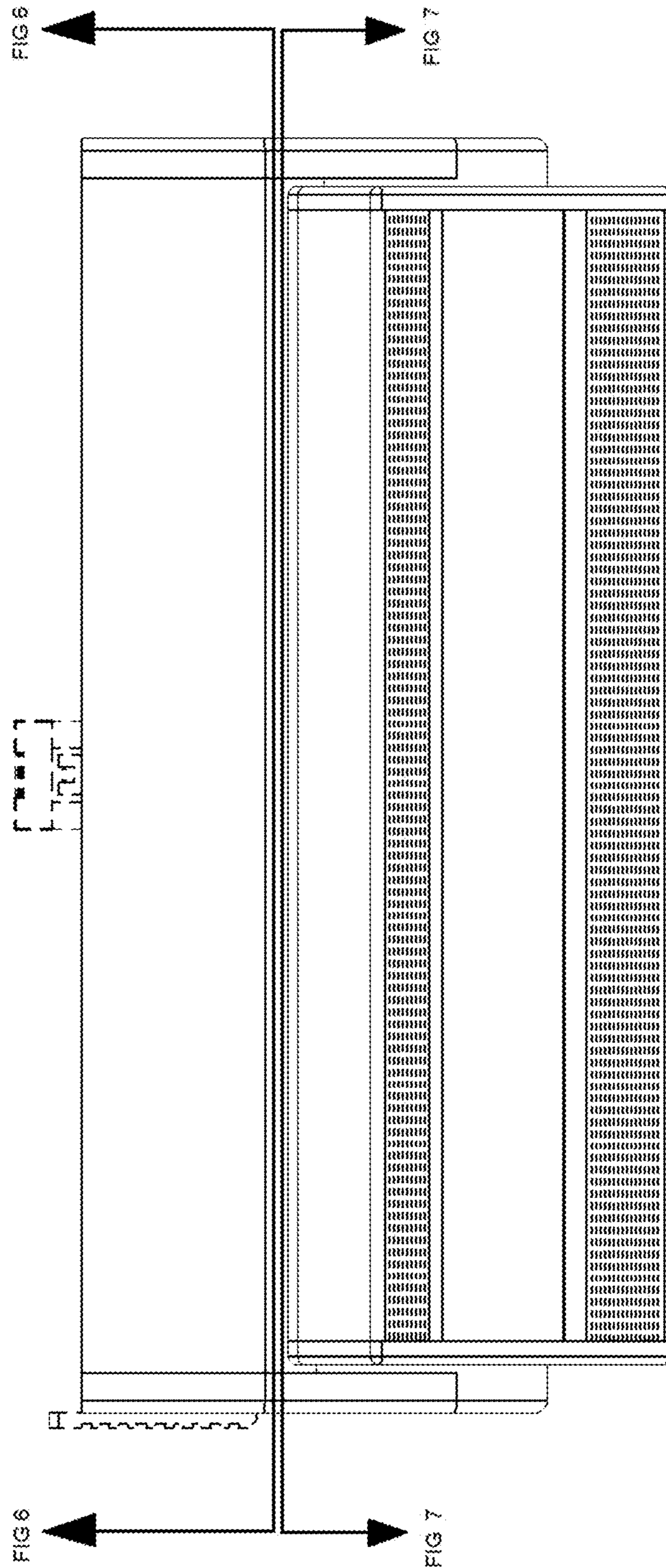


FIG. 5

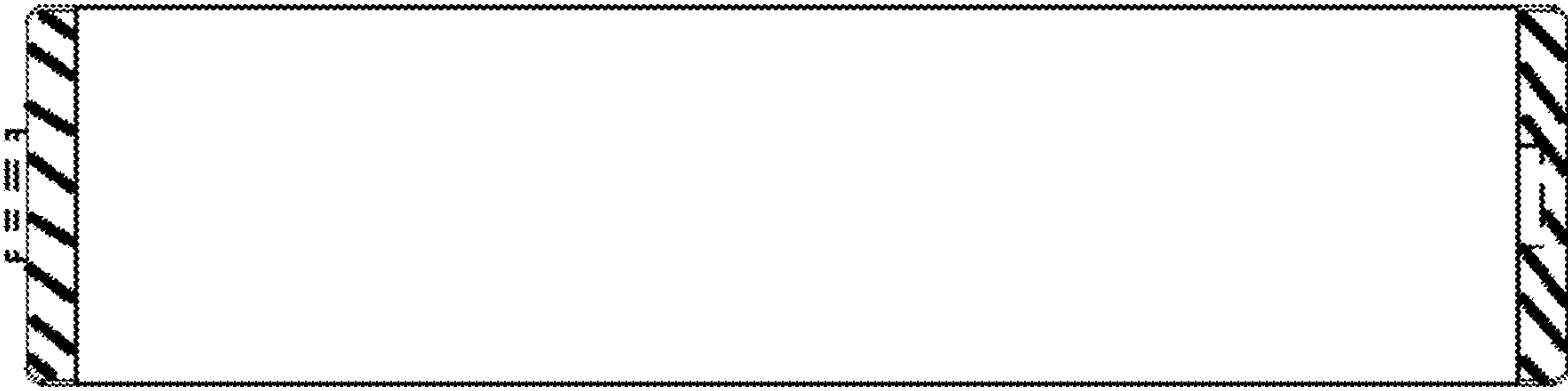


FIG. 6

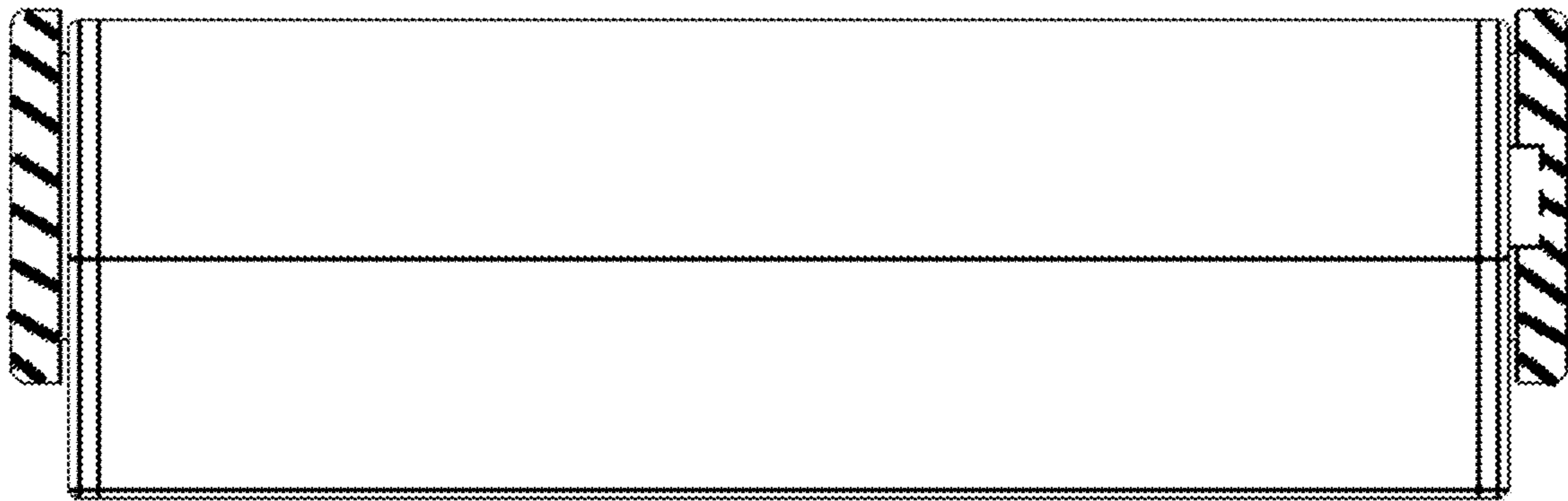


FIG. 7

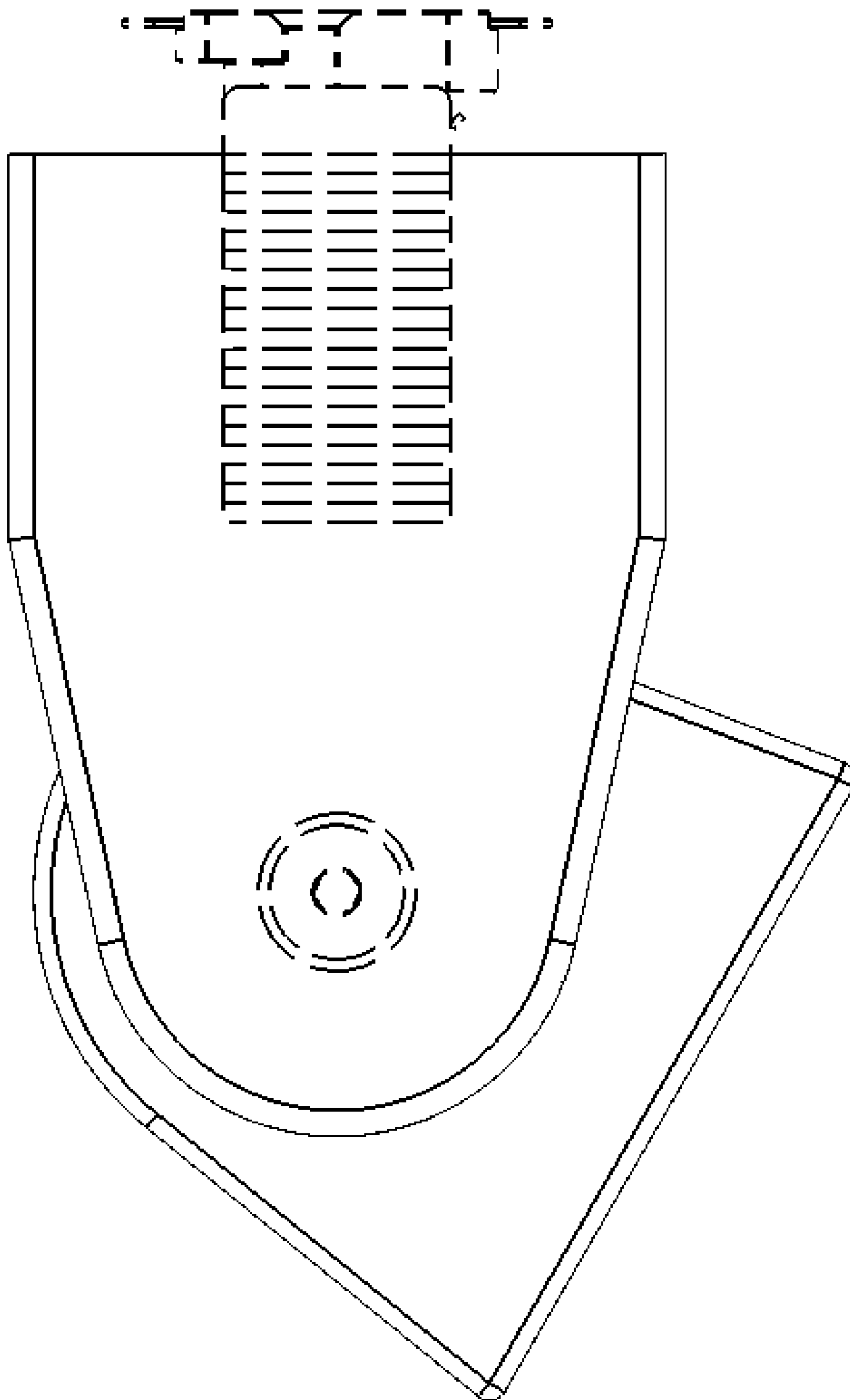


FIG. 8

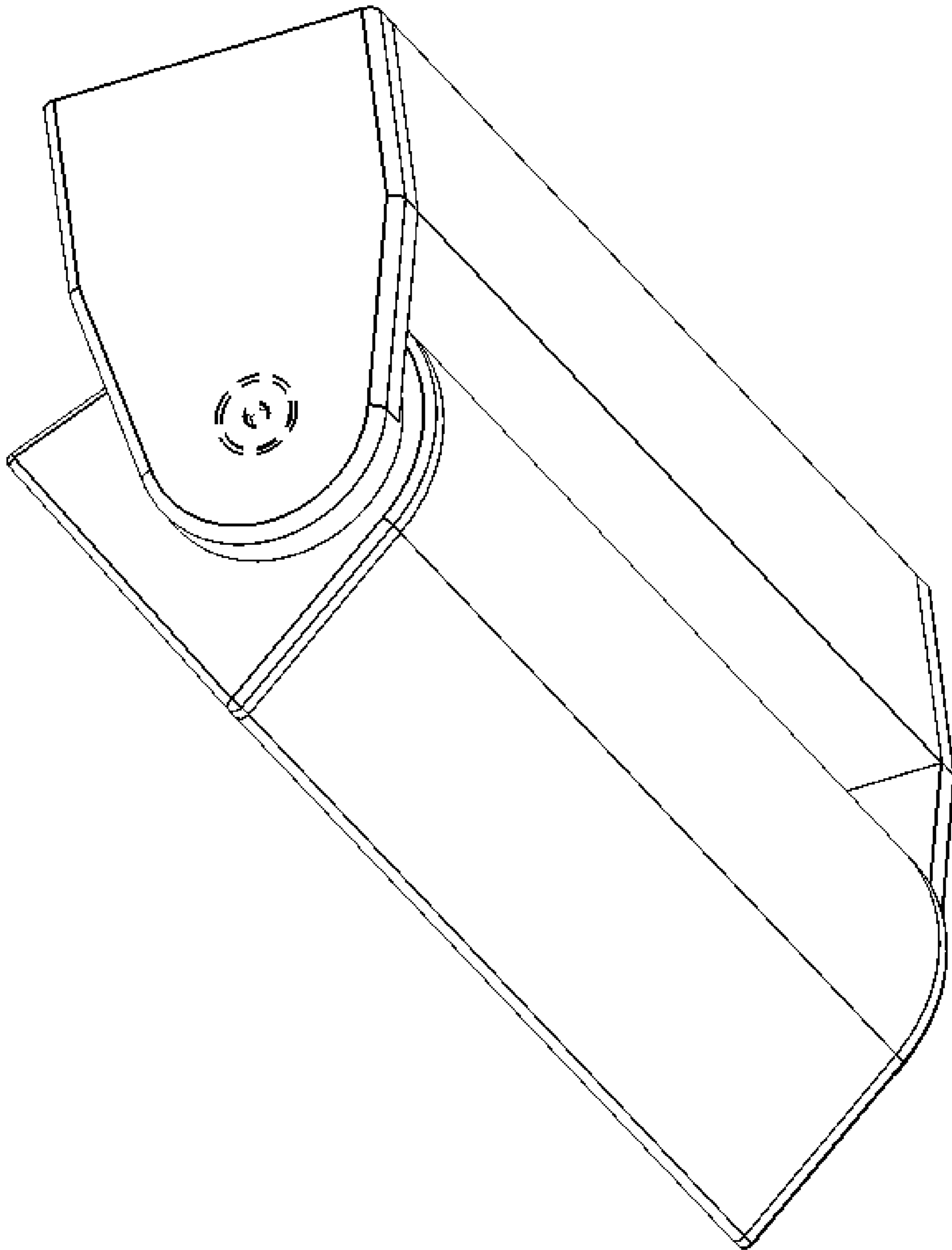


FIG. 9

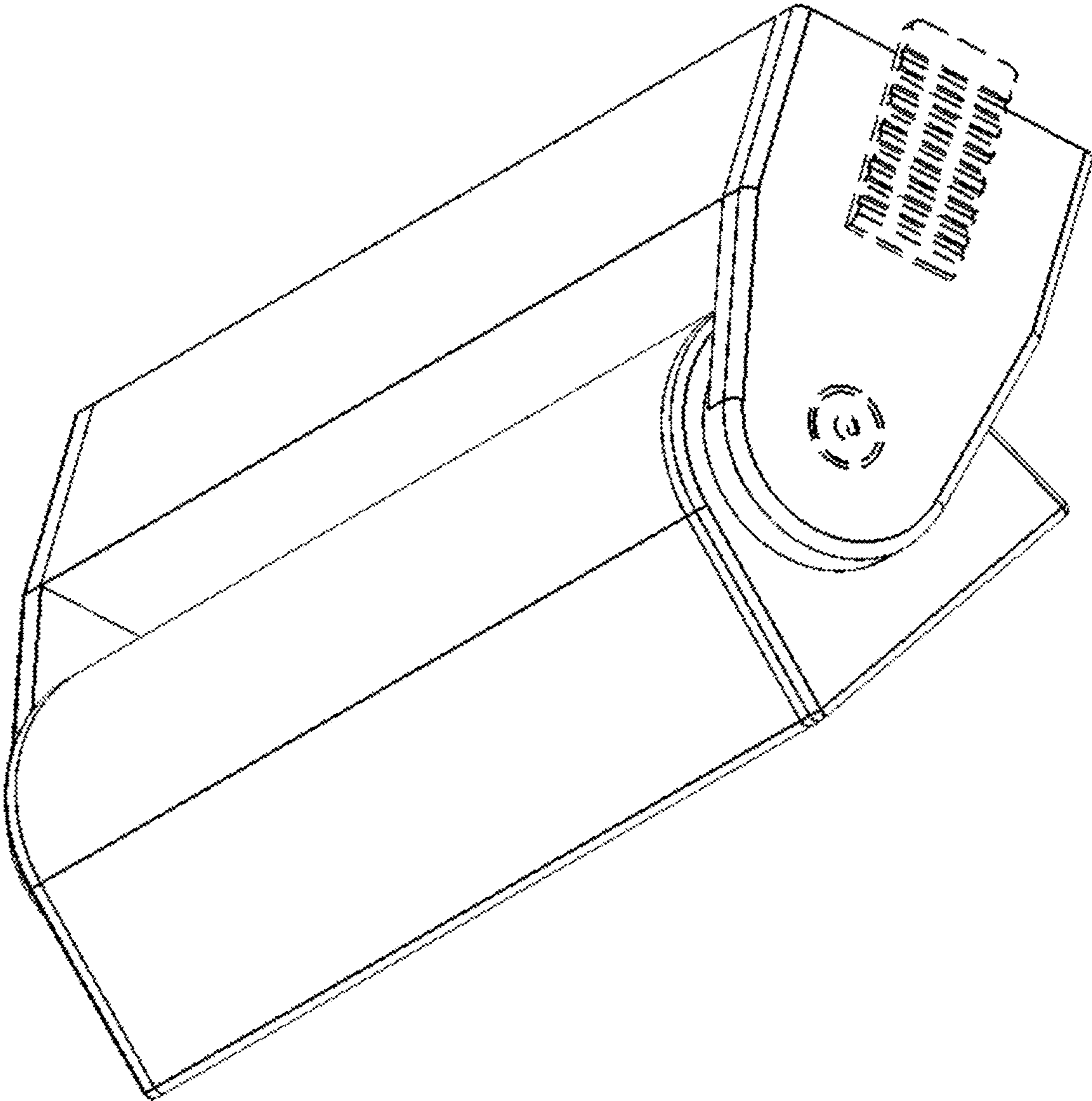


FIG. 10

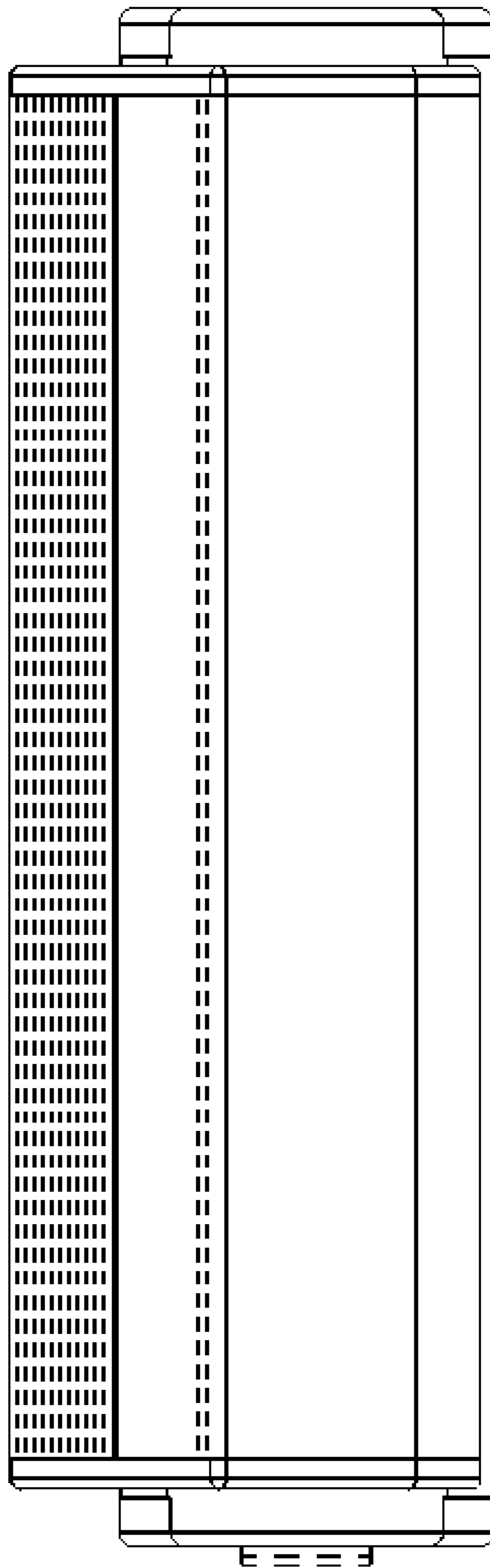


FIG. 11

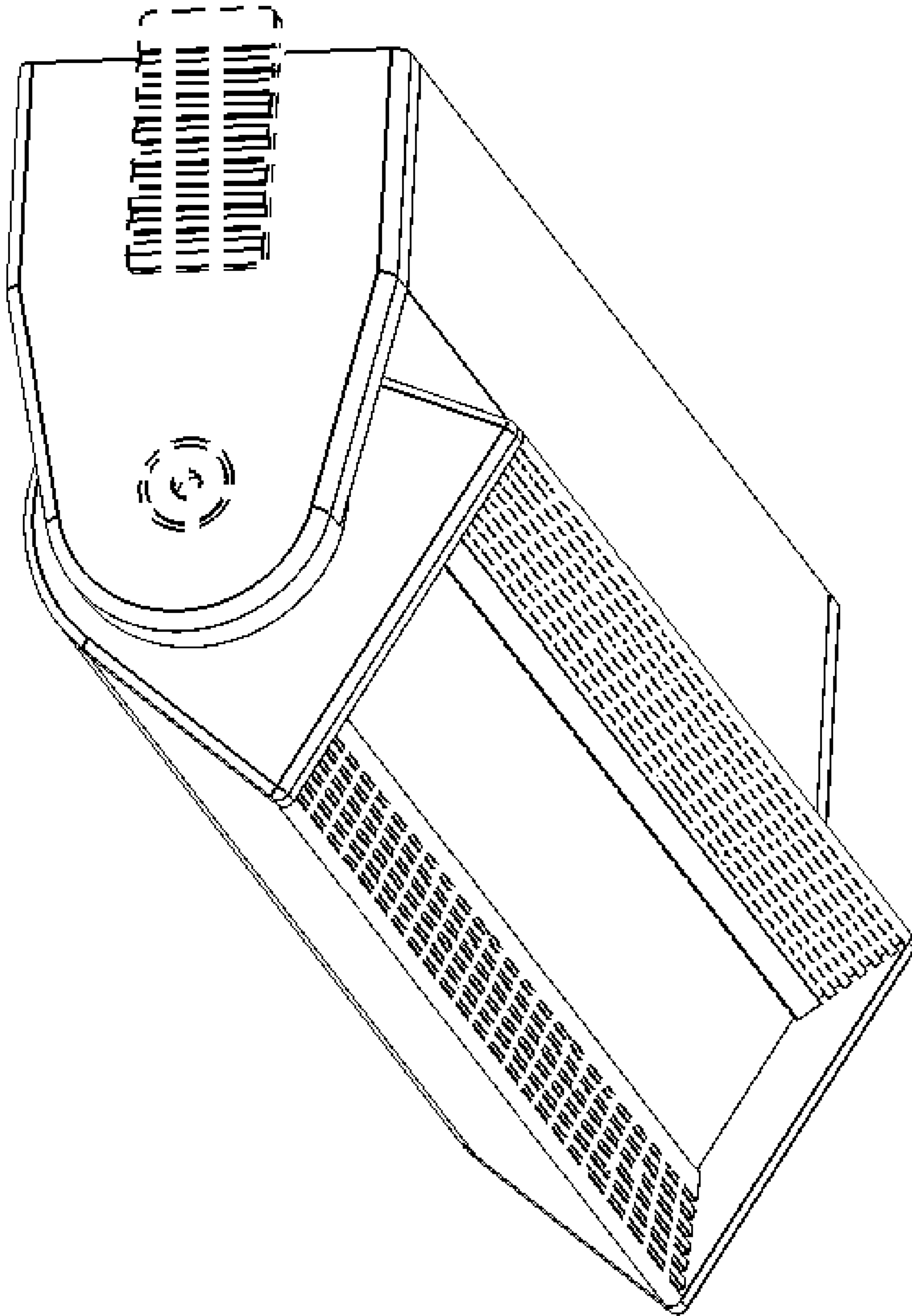


FIG. 12

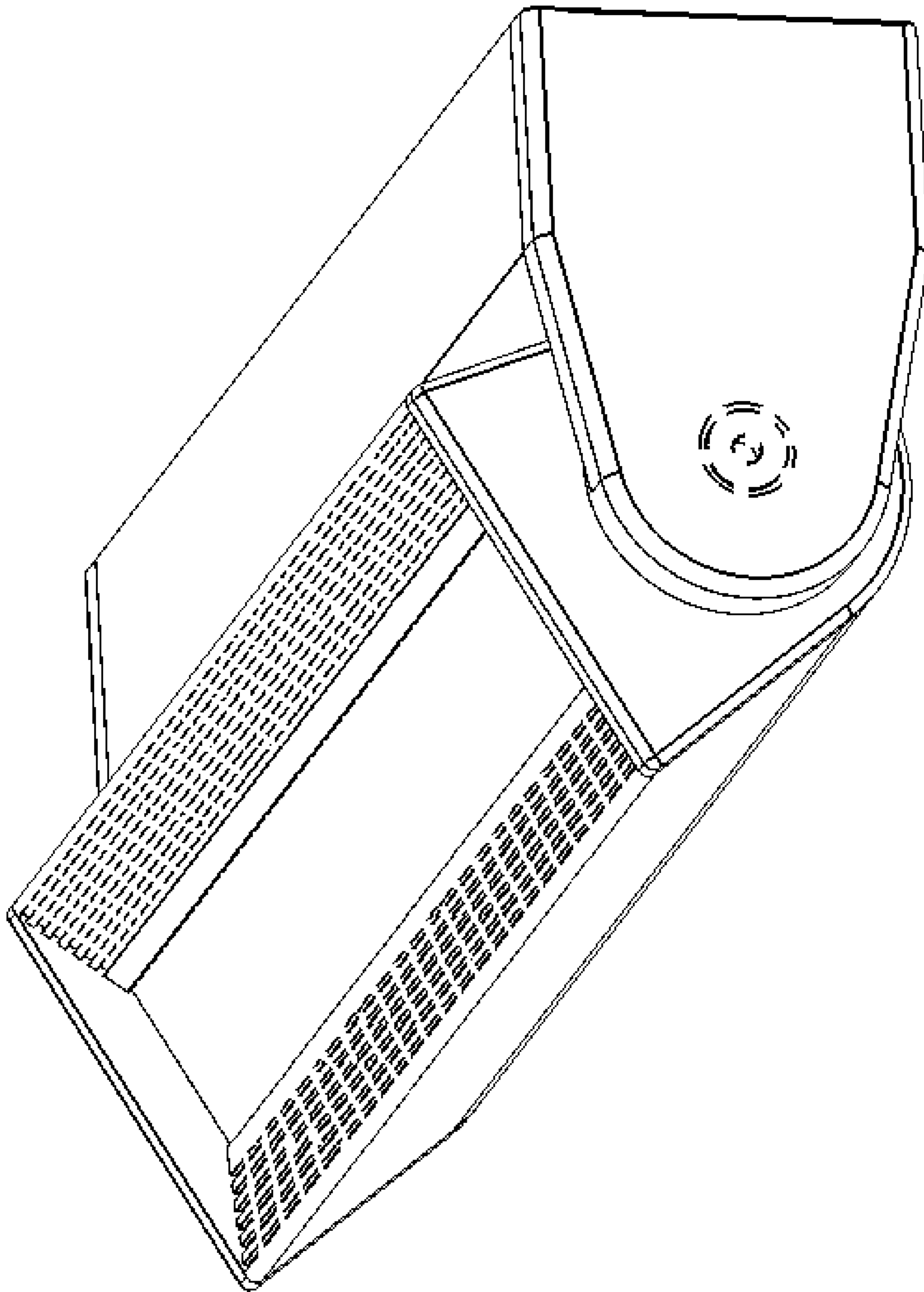


FIG. 13

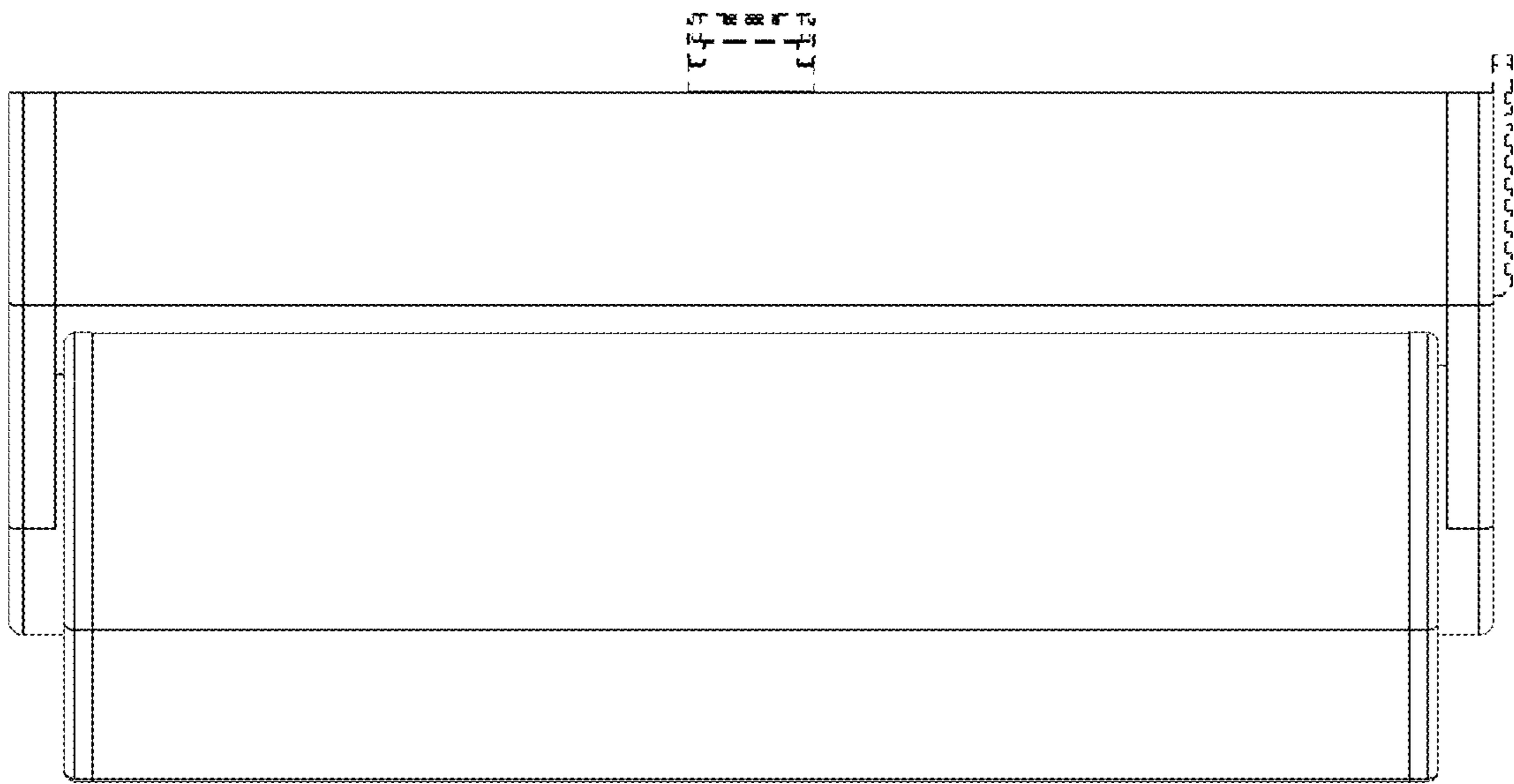


FIG. 14