

US00D877381S

(12) **United States Design Patent** (10) **Patent No.:** **US D877,381 S**
McRoberts (45) **Date of Patent:** **** Mar. 3, 2020**

(54) **CEILING FAN LIGHT GLASS**
(71) Applicant: **HUNTER FAN COMPANY,**
Memphis, TN (US)
(72) Inventor: **Claire Bernice McRoberts,** Memphis,
TN (US)
(73) Assignee: **Hunter Fan Company,** Memphis, TN
(US)

D109,331 S * 4/1938 McManus et al. D9/772
D116,861 S * 9/1939 Mas D9/500
D198,539 S * 6/1964 Freed D26/70
D211,641 S * 7/1968 Schlessel D26/2
D222,646 S * 11/1971 Clark, Jr. D26/2
D237,001 S * 9/1975 Von Senda D11/147
D262,406 S * 12/1981 Zabransky D26/2
D271,804 S * 12/1983 Momoda D24/117
D271,906 S * 12/1983 Zabransky D26/2

(Continued)

(**) Term: **15 Years**

(21) Appl. No.: **29/621,457**

(22) Filed: **Oct. 9, 2017**

Related U.S. Application Data

(63) Continuation of application No. 29/556,851, filed on
Mar. 3, 2016, now Pat. No. Des. 804,011.

(51) **LOC (12) Cl.** **26-05**

(52) **U.S. Cl.**
USPC **D26/59; D26/89**

(58) **Field of Classification Search**
USPC D23/335-337, 355, 370-385, 411-414;
D26/2, 59, 67, 72, 80-89, 92, 104-105,
D26/110, 113, 118-119, 128-137, 11, 37,
D26/40, 46, 49; D9/500-505, 779, 772,
D9/549; D7/523, 300.1, 603, 615;
D24/224

CPC F04D 25/088; F21V 33/0096; F21V 21/03;
F21V 17/002; F21V 23/007; F21V 23/04;
F21V 23/0485; F21V 15/01; F21V
19/006; F21V 19/04; F21V 21/02; F21V
23/002; F21V 23/005; F21V 33/0052;
F21V 7/22; F21V 3/02; F21V 3/061;
F21V 3/062

See application file for complete search history.

(56) **References Cited**

U.S. PATENT DOCUMENTS

D47,800 S * 9/1915 Pick D7/523
D87,935 S * 10/1932 Muench D26/88

OTHER PUBLICATIONS

Hunter Crown Canyon, date first available May 9, 2016, amazon.
com, site visited Apr. 9, 2018, Copyright © 1996-2018, <https://www.amazon.com/Hunter-Canyon-Indoor-Bronze-Ceiling/dp/B0741FG5FG/ref=sr_1_1?s=hi&ie=UTF8&qid=1523292705&sr=1-1&keywords=hunter+ceiling+fan+crown+canyon>.*

(Continued)

Primary Examiner — Karen E Kearney

Assistant Examiner — Sharon S Oum

(74) *Attorney, Agent, or Firm* — McGarry Bair PC

(57) **CLAIM**

The ornamental design for a ceiling fan light glass, as shown
and described.

DESCRIPTION

FIG. 1 is a top perspective view of a ceiling fan light glass
showing my new design, shown in the environment of a
ceiling fan;

FIG. 2 is a bottom perspective view thereof;

FIG. 3 is a top view thereof;

FIG. 4 is a bottom view thereof;

FIG. 5 is a front view thereof;

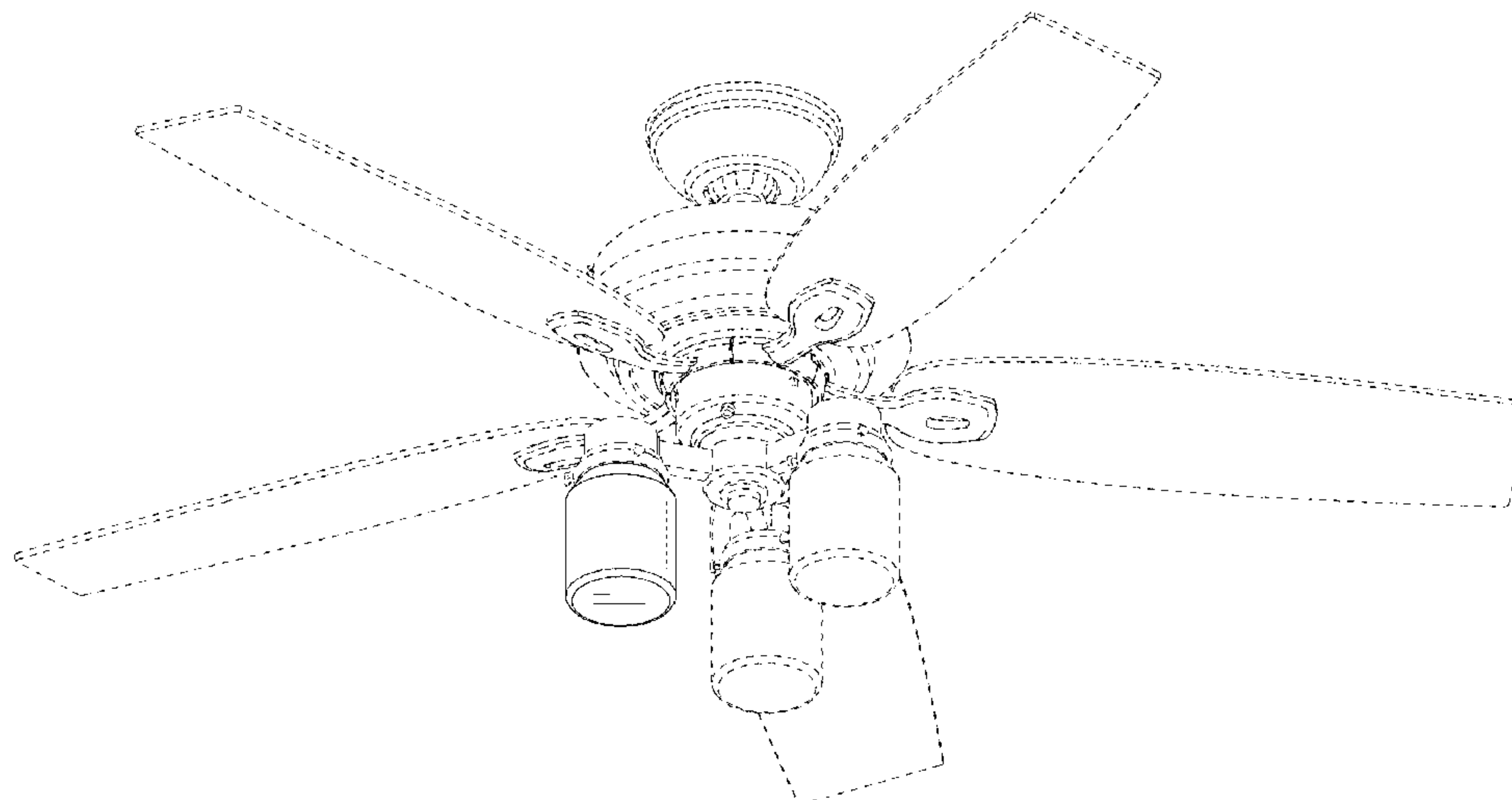
FIG. 6 is a rear view thereof;

FIG. 7 is a left side view thereof; and,

FIG. 8 is a right side view thereof.

The broken lines illustrate environmental structure and form
no part of the claimed design.

1 Claim, 6 Drawing Sheets



(56)

References Cited

U.S. PATENT DOCUMENTS

D291,004 S * 7/1987 Keilman D24/117
 D291,921 S * 9/1987 Blaisdell D26/2
 4,850,799 A * 7/1989 Bucher, Sr. F04D 25/088
 416/134 R
 D315,205 S 3/1991 Cook
 D320,465 S * 10/1991 Sonneman D26/86
 D328,491 S * 8/1992 Markwardt D23/377
 D332,280 S * 1/1993 Yoshida D18/40
 D344,794 S 3/1994 Galler
 5,404,284 A 4/1995 Davis, Jr.
 D385,376 S * 10/1997 Milicia D26/73
 D394,323 S * 5/1998 West D26/63
 D421,113 S * 2/2000 Zuege D23/377
 6,036,154 A * 3/2000 Pearce F04D 25/088
 248/343
 D434,323 S * 11/2000 Pattison D9/772
 D444,385 S * 7/2001 Dixon, I D9/772
 D451,640 S * 12/2001 Adams D28/38
 D483,463 S 12/2003 Tai
 D485,349 S 1/2004 Burns
 D486,215 S 2/2004 Hsieh
 D489,810 S 5/2004 Burns
 D499,478 S 12/2004 Thomas, Jr.
 D504,501 S 4/2005 Young
 D533,655 S * 12/2006 Glasbrenner D23/411
 D533,937 S 12/2006 Pan
 D539,962 S * 4/2007 Hsu D26/81
 D549,385 S * 8/2007 Lissoni D26/89
 D550,740 S * 9/2007 Satoh D16/203
 D567,421 S 4/2008 Pan
 D570,228 S * 6/2008 van Dam D9/772
 D596,335 S * 7/2009 Sabernig D26/88
 D608,204 S * 1/2010 Caroen D9/443
 D611,346 S * 3/2010 Camomile D9/504
 7,798,357 B2 * 9/2010 Hanafusa B65D 1/0246
 215/40
 D627,046 S 11/2010 Wang
 D627,048 S 11/2010 Shurtleff
 D627,049 S 11/2010 Glasbrenner
 D632,382 S 2/2011 Pan
 D656,025 S * 3/2012 Carreno D7/509
 D666,760 S * 9/2012 Arola Ferrer D26/84
 D697,404 S * 1/2014 Johnson D9/500
 D705,977 S * 5/2014 Orozco D26/81
 D709,638 S * 7/2014 Kitts D26/87
 D721,113 S 1/2015 Huang
 D722,402 S * 2/2015 Orozco D26/88
 D722,709 S * 2/2015 Bosua D26/2
 D726,009 S * 4/2015 Manne D9/500
 D728,141 S * 4/2015 Nicholas D26/81
 D731,698 S * 6/2015 Johnson D26/73
 D736,446 S * 8/2015 Bonadonna D26/105
 D739,070 S * 9/2015 Wilson D26/104
 D743,586 S * 11/2015 Bosua D26/2
 D743,613 S * 11/2015 Bonadonna D26/105
 D751,405 S * 3/2016 Hamilton D9/500
 D759,858 S * 6/2016 Li D26/2

D760,419 S * 6/2016 Vidmar D26/81
 D771,283 S * 11/2016 Ke D26/2
 D771,303 S * 11/2016 Ross D26/118
 D774,680 S * 12/2016 Vidmar D26/84
 D779,102 S * 2/2017 Garraton D26/81
 D781,367 S * 3/2017 Ishikawa D16/235
 D786,479 S * 5/2017 Dolan D26/81
 D786,481 S * 5/2017 Wiedemer D26/81
 D788,544 S * 6/2017 Seiders D7/608
 D794,860 S * 8/2017 Khubani D26/118
 D796,704 S * 9/2017 Xie D26/2
 D804,011 S * 11/2017 Holmes D23/377
 D808,549 S * 1/2018 Bosua D26/2
 D809,179 S * 1/2018 Orozco D26/81
 D841,867 S * 2/2019 Lee D26/88
 D857,279 S * 8/2019 Grcic D26/88
 2004/0022636 A1 2/2004 Bilskie
 2010/0117553 A1 * 5/2010 Lee H01R 33/94
 315/287
 2012/0025705 A1 * 2/2012 Chang F21V 3/02
 315/32
 2014/0268803 A1 9/2014 Keng

OTHER PUBLICATIONS

Vintage Canning Jar Ceiling Fan Light Kit, date posted unknown, weaselmedia.com, site visited Apr. 9, 2018, Copyright © 2018, <<http://weaselmedia.com/outstanding-mason-jar-ceiling-fan/vintage-canning-jar-ceiling-fan-light-kit-149-00-via-etsy-regarding-outstanding-mason-jar-ceiling-fan/>>.*
<http://www.montecarlofans.com/33294/44-Centro-Max-II-5CQM44PN.html>, Item Specification for The Monte Carlo centro Max II, Product #: 5CQM44PN, 52 Inch Canfield Ceiling Fan 300117WH (White), accessed Mar. 3, 2016.
<http://www.kichler.com/products/product/52-inch-canfield-ceiling-fan-wh-300117wh.aspx>, Item Specification for The Kichler Canfield 52 Inch Canfield Ceiling Fan 300117WH (White), accessed Mar. 3, 2016.
<http://www.minkagroup.net/products/f614-dbb>, Item Specification for The MinkaAire Timeless 54" 5 Blade in Dark Brushed Bronze Finish w/Dark Maple Blades Model #F614-DBB, accessed Mar. 3, 2016.
<http://ceilingfans.emerson.com/shop/en/fan/fans-s-emerson-fans/emerson-fans-browse-all/ashland-fan-p-ct717>, Item Specification for The Emerson Ashland Model #CF717ORB, accessed Mar. 3, 2016.
http://www.fanimation.com/products/edgewood_deluxe/, Item Specification for The Fanimation Edgewood Model No. TF610, accessed Mar. 3, 2016.
<http://www.kingoffans.com/#/products>, Item Specification for The King of Fans Chardonnay Model #51528, accessed Mar. 3, 2016.
<https://www.etsy.com/listing/152096263/mason-jar-ceiling-fan-light-kit-only>, Item Specification for The LampGoods Mason Jar Ceiling Fan (Light Kit Only), accessed Mar. 3, 2016.
<http://www.craftmade.com/Collections-by-Craftmade.HTML>, Item Specification for The Craftmade Trenton Model # TRE54ESP5, accessed Mar. 3, 2016.

* cited by examiner

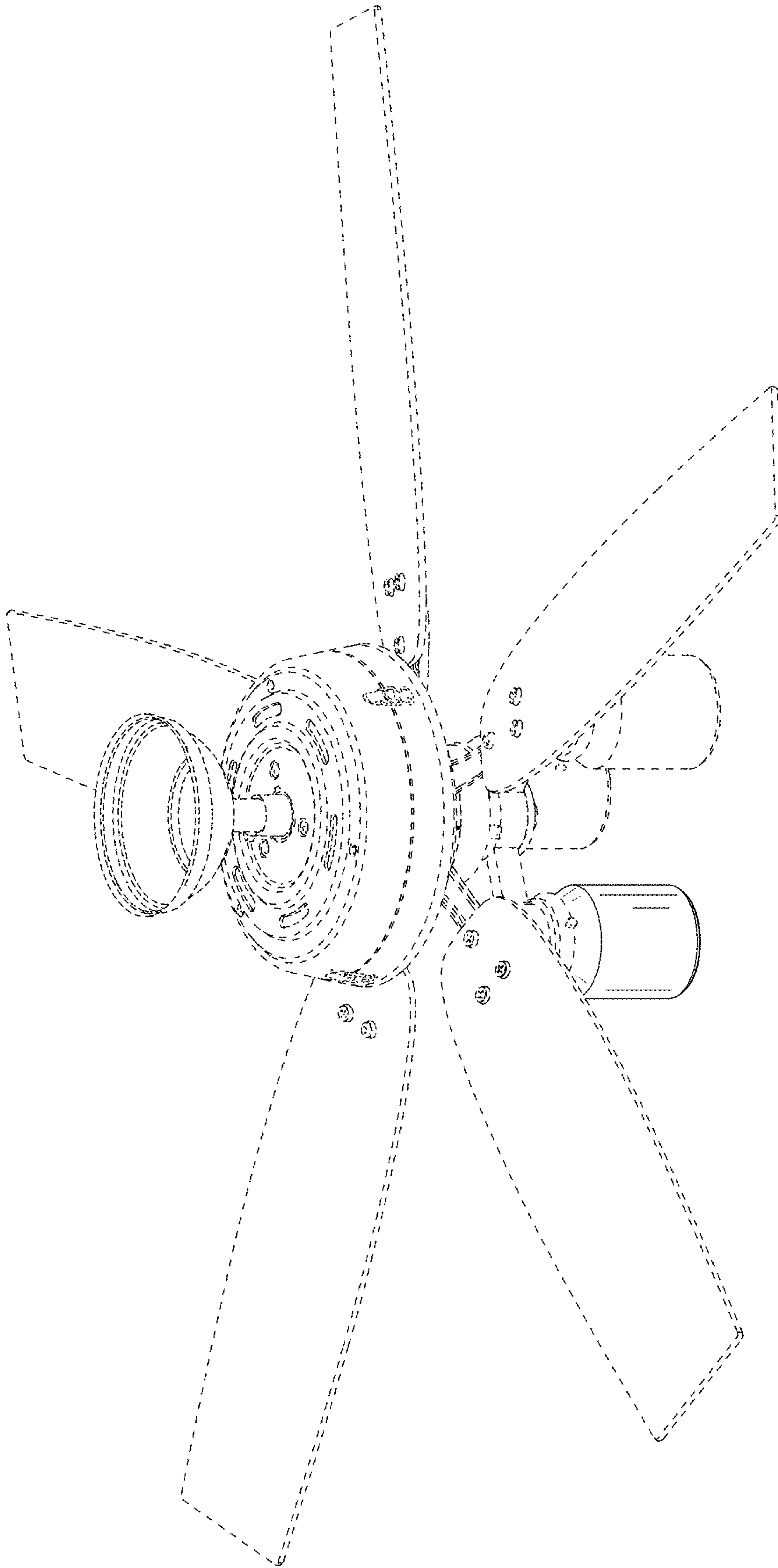


FIG. 1

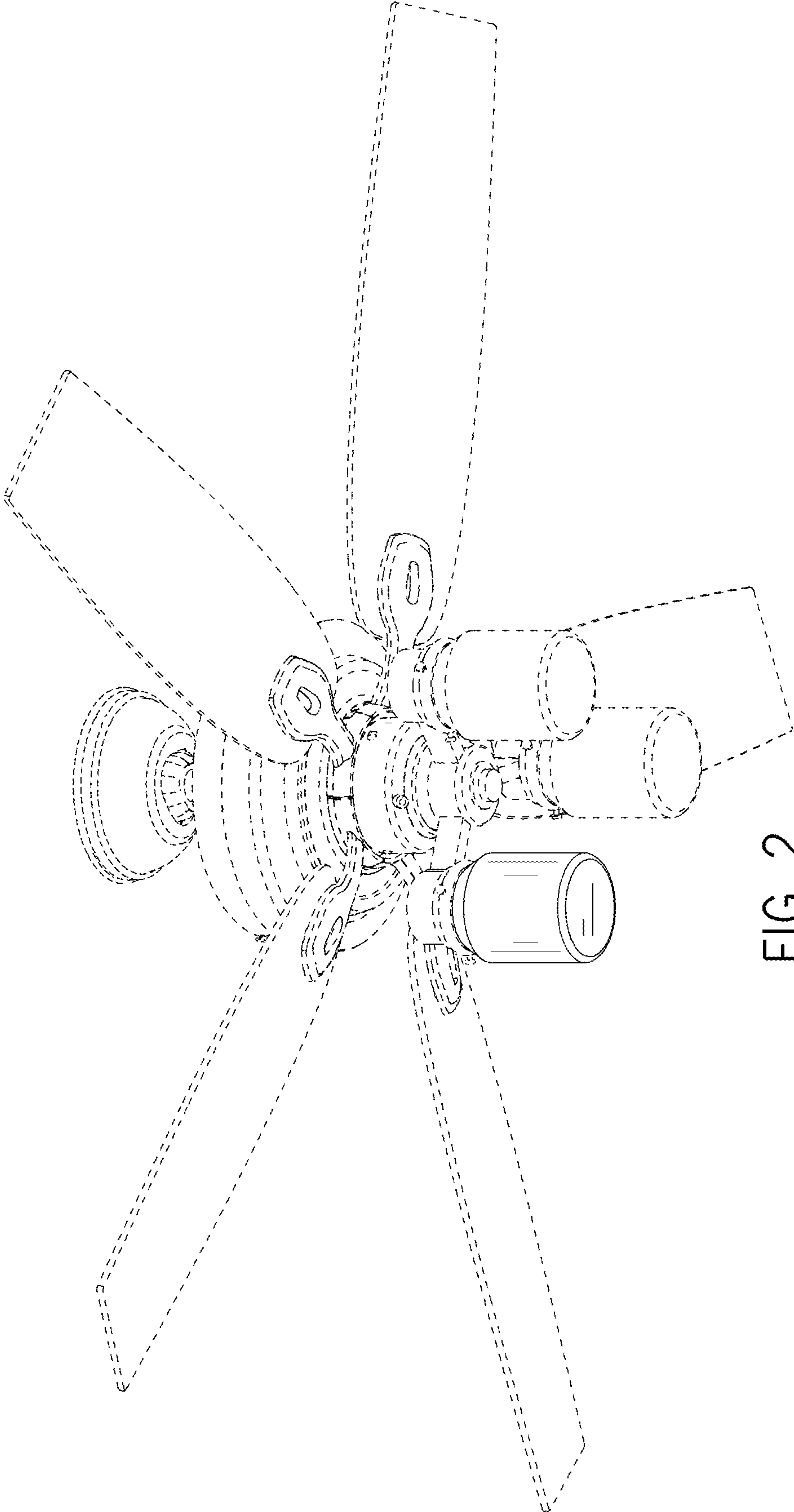


FIG. 2

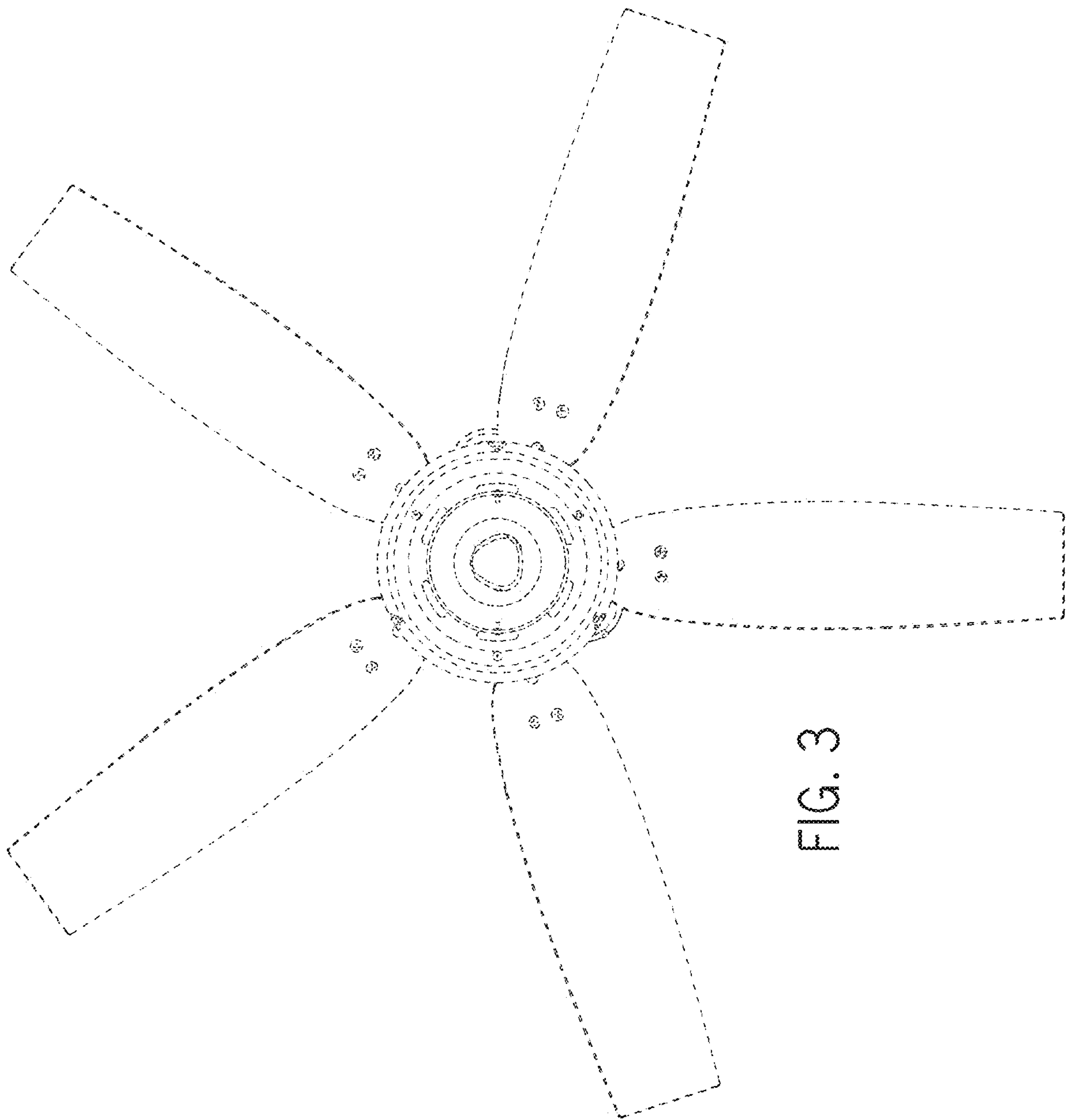


FIG. 3

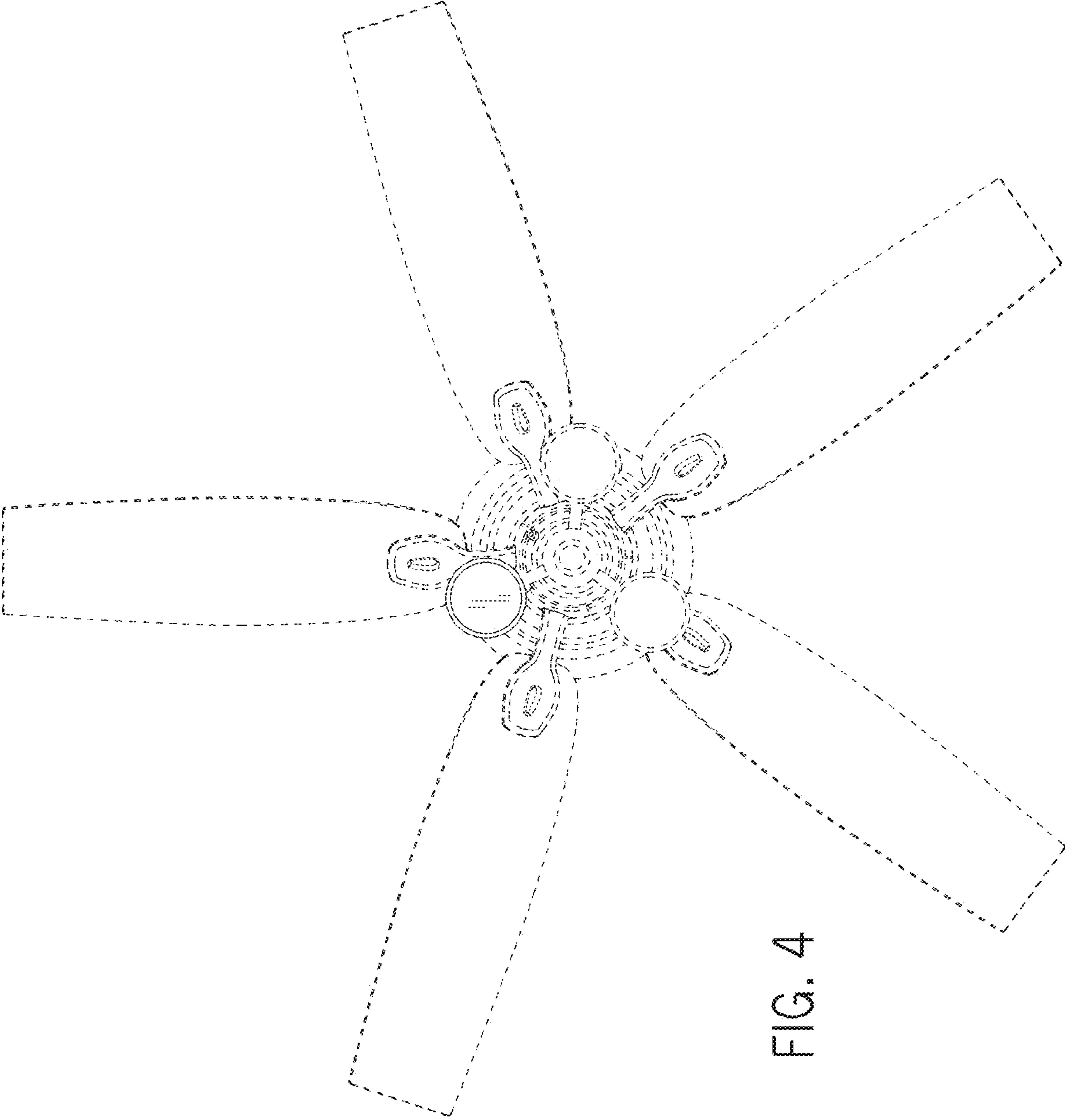


FIG. 4

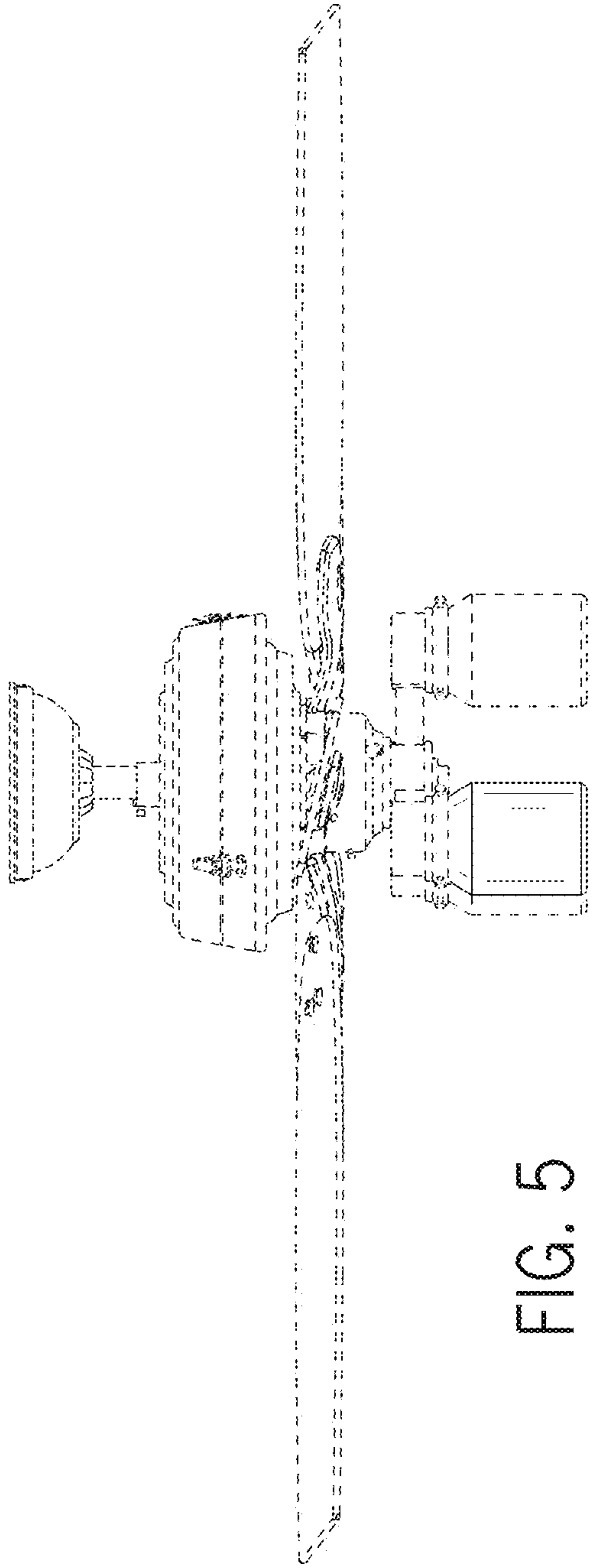


FIG. 5

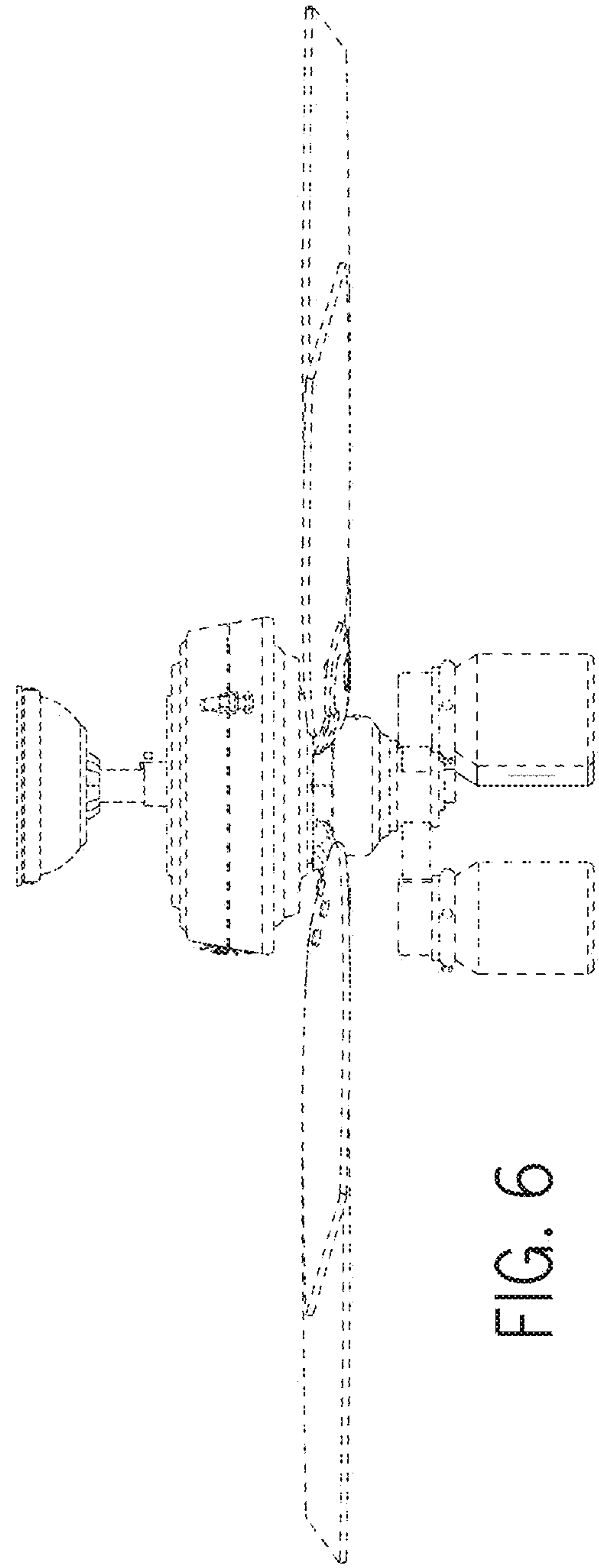


FIG. 6

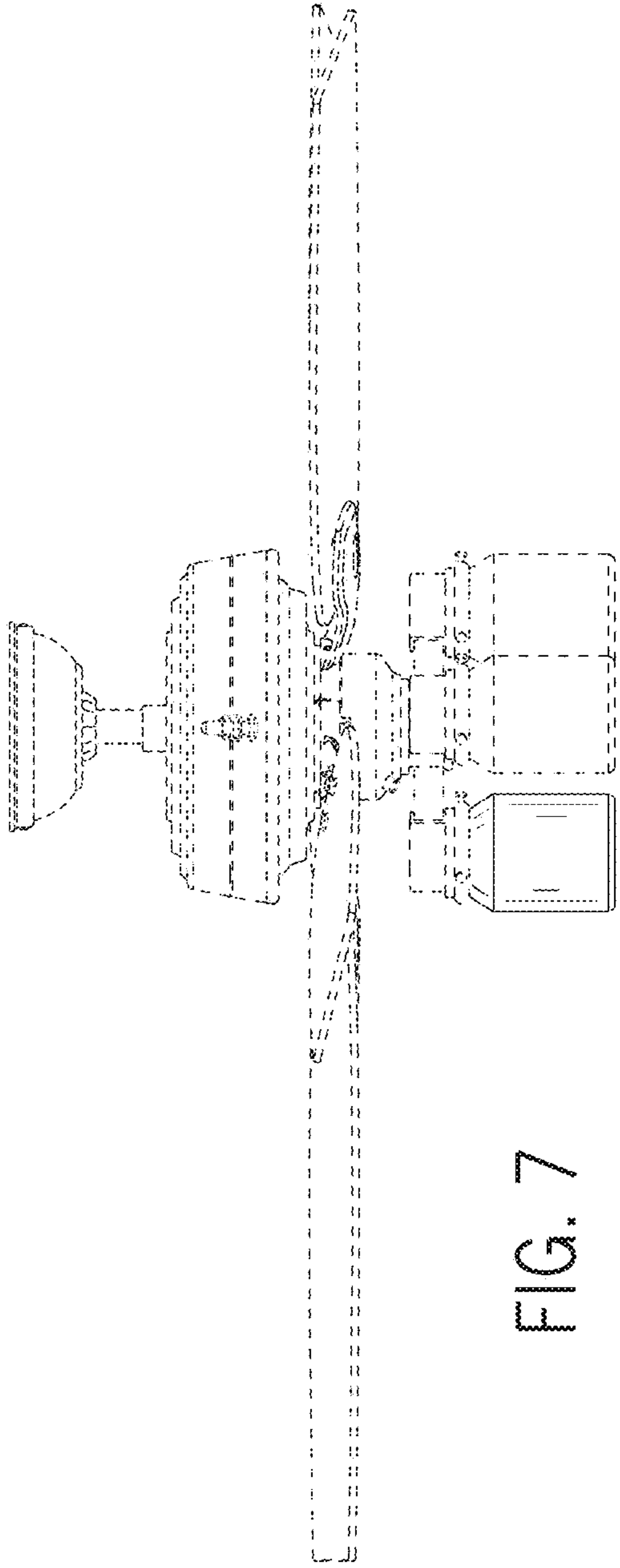


FIG. 7

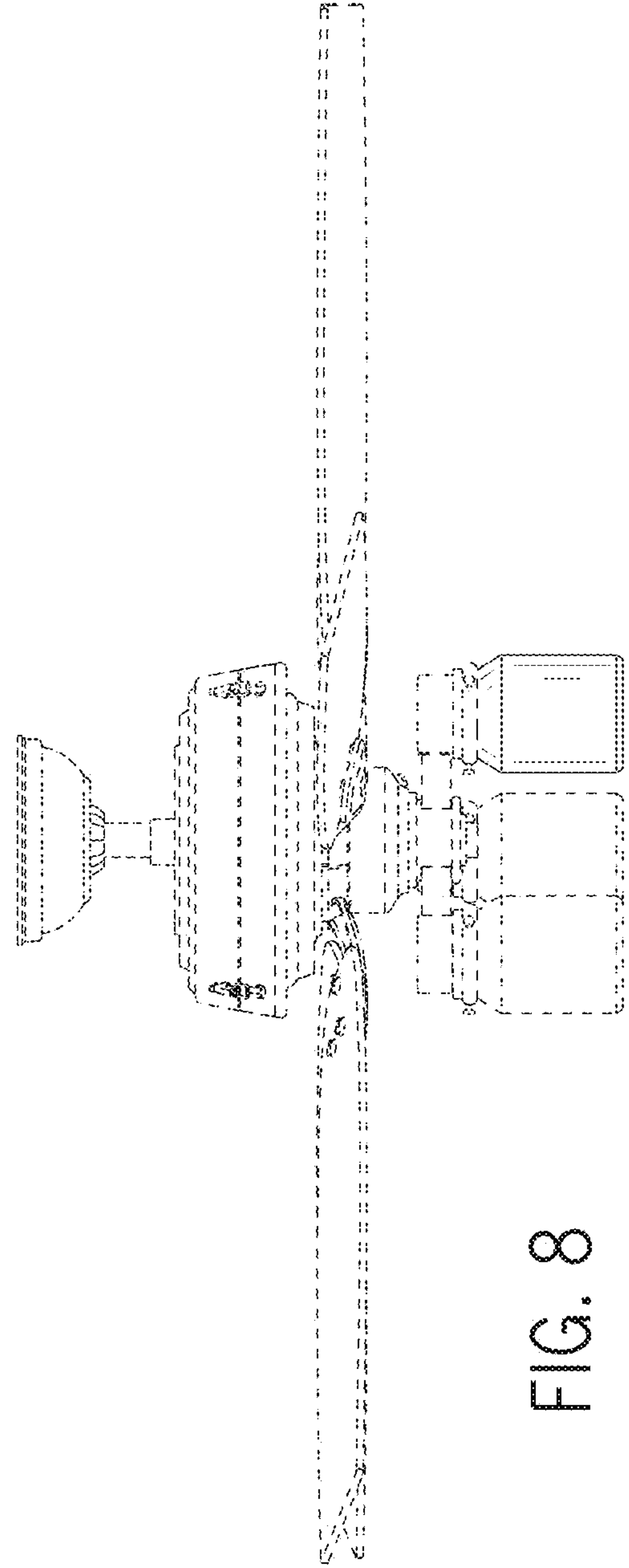


FIG. 8