



US00D877380S

(12) **United States Design Patent** (10) **Patent No.:** **US D877,380 S**  
**Le** (45) **Date of Patent:** **\*\* Mar. 3, 2020**

(54) **FLASHLIGHT**  
(71) Applicant: **MacroIdea Inc.**, Irvine, CA (US)  
(72) Inventor: **Tien Cong Le**, Laguna Hills, CA (US)  
(73) Assignee: **MacroIdea Inc.**, Irvine, CA (US)  
(\*\*) Term: **15 Years**  
(21) Appl. No.: **29/701,318**  
(22) Filed: **Aug. 9, 2019**  
(51) **LOC (12) Cl.** ..... **26-02**  
(52) **U.S. Cl.**  
USPC ..... **D26/49**  
(58) **Field of Classification Search**  
USPC ..... D26/37-51  
CPC ..... F21L 2003/00; F21L 4/00; F21L 4/005;  
F21L 4/02; F21L 4/025; F21L 4/027;  
F21L 4/04; F21L 4/08; F21L 2005/00;  
F21L 7/00; F21L 11/00; F21L 13/00;  
F21L 13/04; F21L 13/08; F21L 14/02;  
F21L 17/00; F21L 19/00; F21L 25/00  
See application file for complete search history.

(56) **References Cited**

**U.S. PATENT DOCUMENTS**

D241,971 S	10/1976	Brindley	
D268,528 S *	4/1983	Hung	D26/49
D294,644 S	3/1988	Ohashi	
D299,274 S *	1/1989	Ohashi	D26/49
D300,666 S *	4/1989	Ohashi	D26/49
D356,170 S	3/1995	Ohtaka et al.	
D368,318 S *	3/1996	Furth	D26/49
D410,761 S	6/1999	Chiu	
6,095,661 A	8/2000	Lebens et al.	
D449,704 S *	10/2001	Zhong	D26/49
D502,277 S *	2/2005	Chen	D26/49
D533,674 S *	12/2006	Julius	D26/49
D553,265 S	10/2007	Maxik	
D553,266 S	10/2007	Maxik	

D564,116 S *	3/2008	Linardos	D26/49
D577,451 S	9/2008	Shiu	
D577,845 S	9/2008	Shiu	
D579,595 S	10/2008	Shiu	
D582,592 S *	12/2008	Opolka	D26/49
D586,025 S *	2/2009	Bonis	D26/49
D590,972 S	4/2009	Kennedy	
D596,773 S	7/2009	Liu	
D601,285 S *	9/2009	Chen	D26/49
D603,988 S *	11/2009	Sharrah	D26/49
D629,542 S	12/2010	Robinson	
D629,544 S	12/2010	Deguglimo et al.	
7,896,518 B2	3/2011	Homes et al.	
D641,514 S *	7/2011	Hesse	D26/49
D641,901 S	7/2011	Opolka	
D651,321 S	12/2011	Marchese et al.	

(Continued)

**FOREIGN PATENT DOCUMENTS**

KR 20110123641 1/2012

*Primary Examiner* — Jeffrey D Asch  
*Assistant Examiner* — Carissa C Fitts  
(74) *Attorney, Agent, or Firm* — Sarah M. Walkington

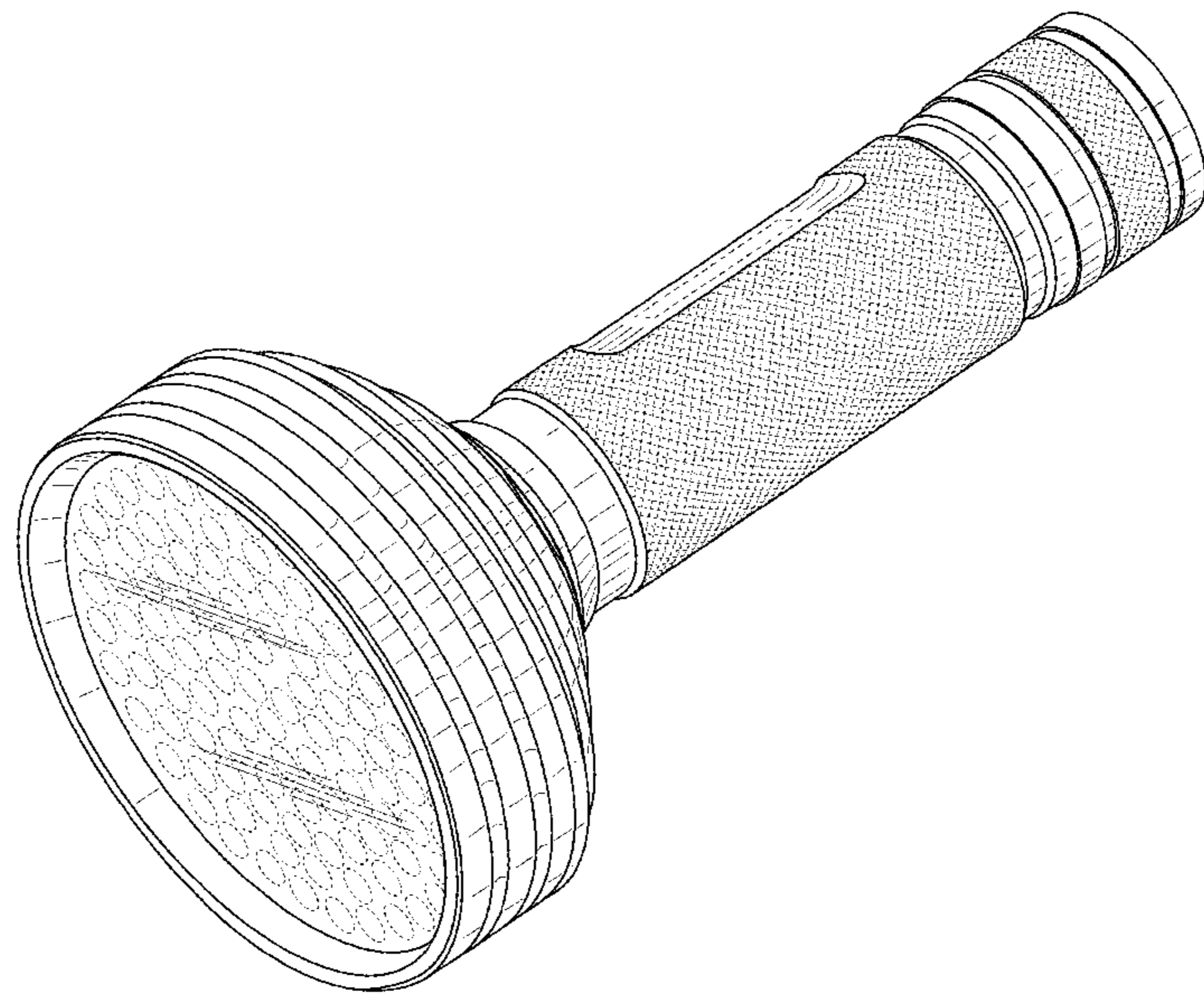
(57) **CLAIM**

The ornamental design for a flashlight, as shown and described.

**DESCRIPTION**

FIG. 1 is a perspective view of a flashlight showing my new design;  
FIG. 2 is a front elevational view thereof;  
FIG. 3 is a rear elevational view thereof;  
FIG. 4 is a left side elevational view thereof;  
FIG. 5 is a right side elevational view thereof;  
FIG. 6 is a top plan view thereof; and,  
FIG. 7 is a bottom plan view thereof.  
The broken lines show portions of the article which form no part of the claimed design.

**1 Claim, 6 Drawing Sheets**



(56)

**References Cited**

U.S. PATENT DOCUMENTS

D668,804 S	10/2012	Maglica	
D685,940 S	7/2013	Lee	
D693,041 S	11/2013	van der Lande	
D698,961 S *	2/2014	Dalton .....	D26/49
D709,232 S	7/2014	Inskeep	
D709,233 S	7/2014	Inskeep	
D709,234 S	7/2014	Inskeep	
8,783,908 B2	7/2014	Gross et al.	
D710,526 S	8/2014	Lee	
D717,481 S	11/2014	Yong	
D719,694 S	12/2014	Nawaz	
D747,024 S *	1/2016	Windom .....	D26/49
D750,306 S	2/2016	Windom et al.	
D785,843 S	5/2017	Wen	
D803,446 S	11/2017	Green	
10,060,582 B2	8/2018	O'Brien	
D827,892 S	9/2018	Kunzendorf	
D828,940 S *	9/2018	Qiu .....	D26/49
D844,874 S *	4/2019	Eichelberger .....	D26/49
D846,169 S	4/2019	Inskeep et al.	

\* cited by examiner

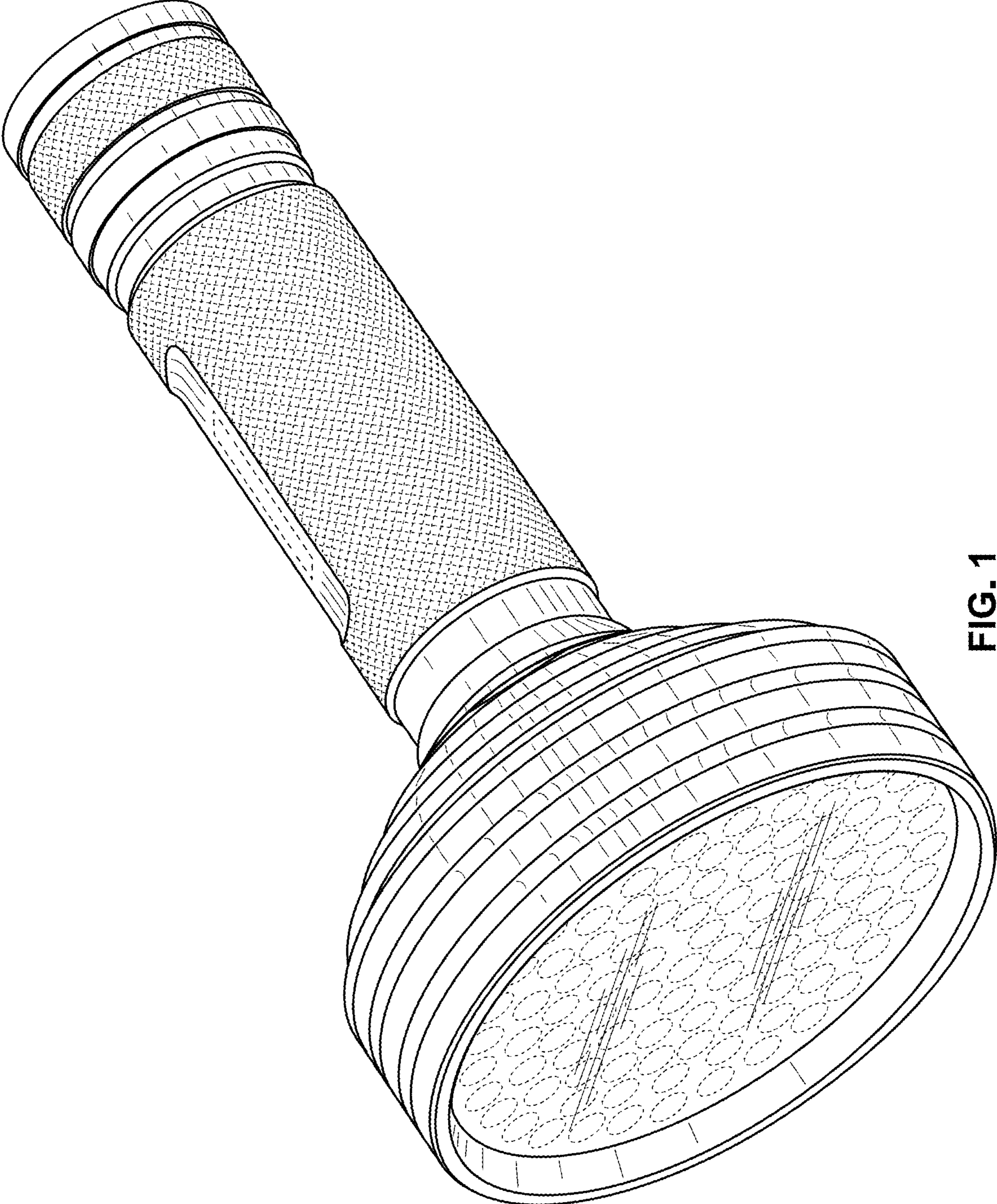


FIG. 1

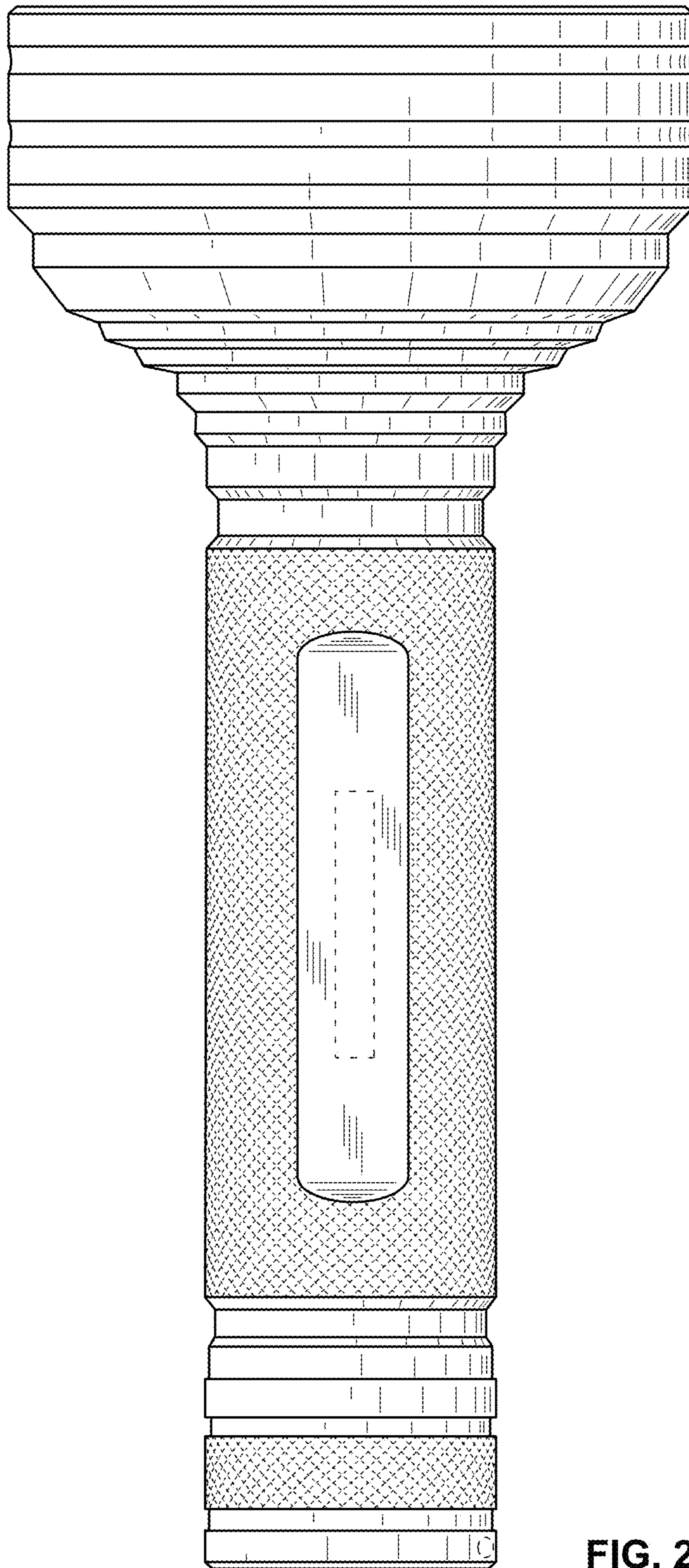


FIG. 2

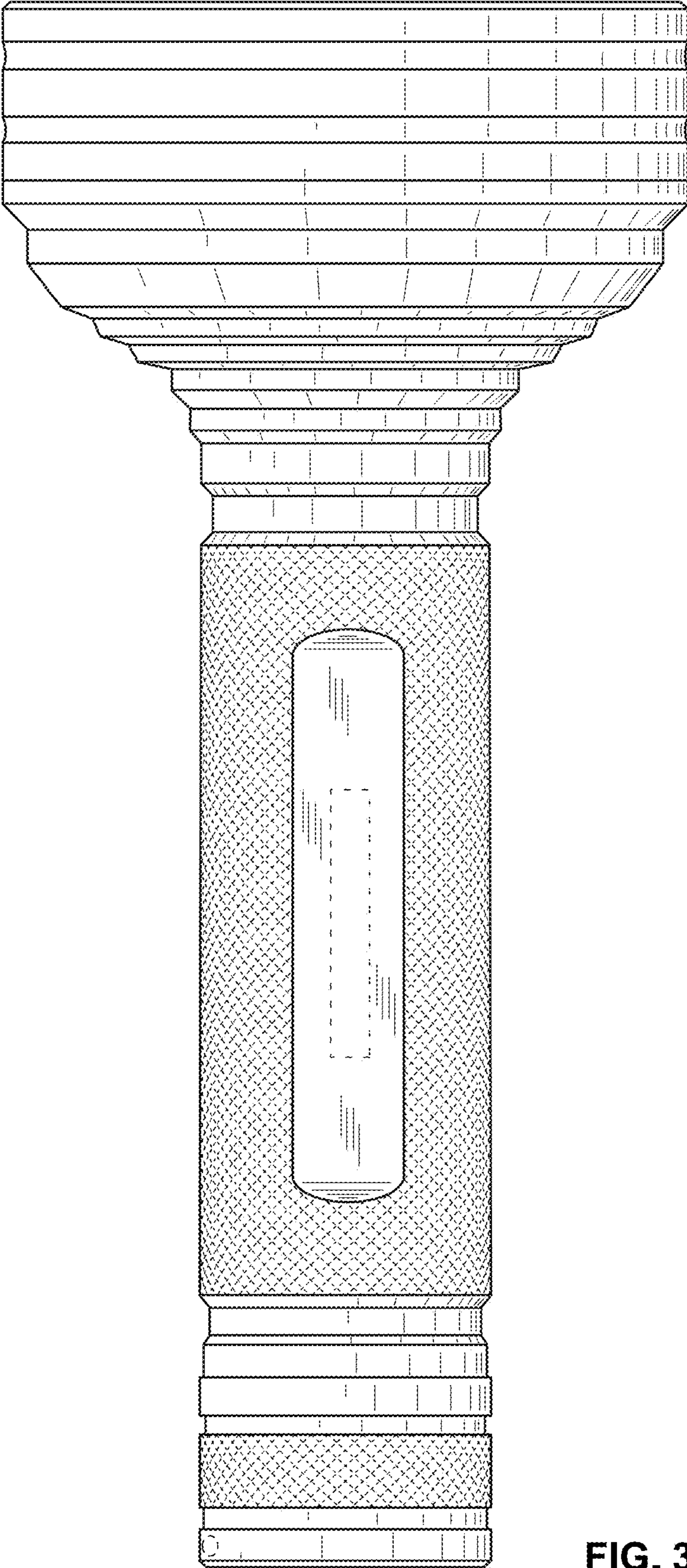


FIG. 3

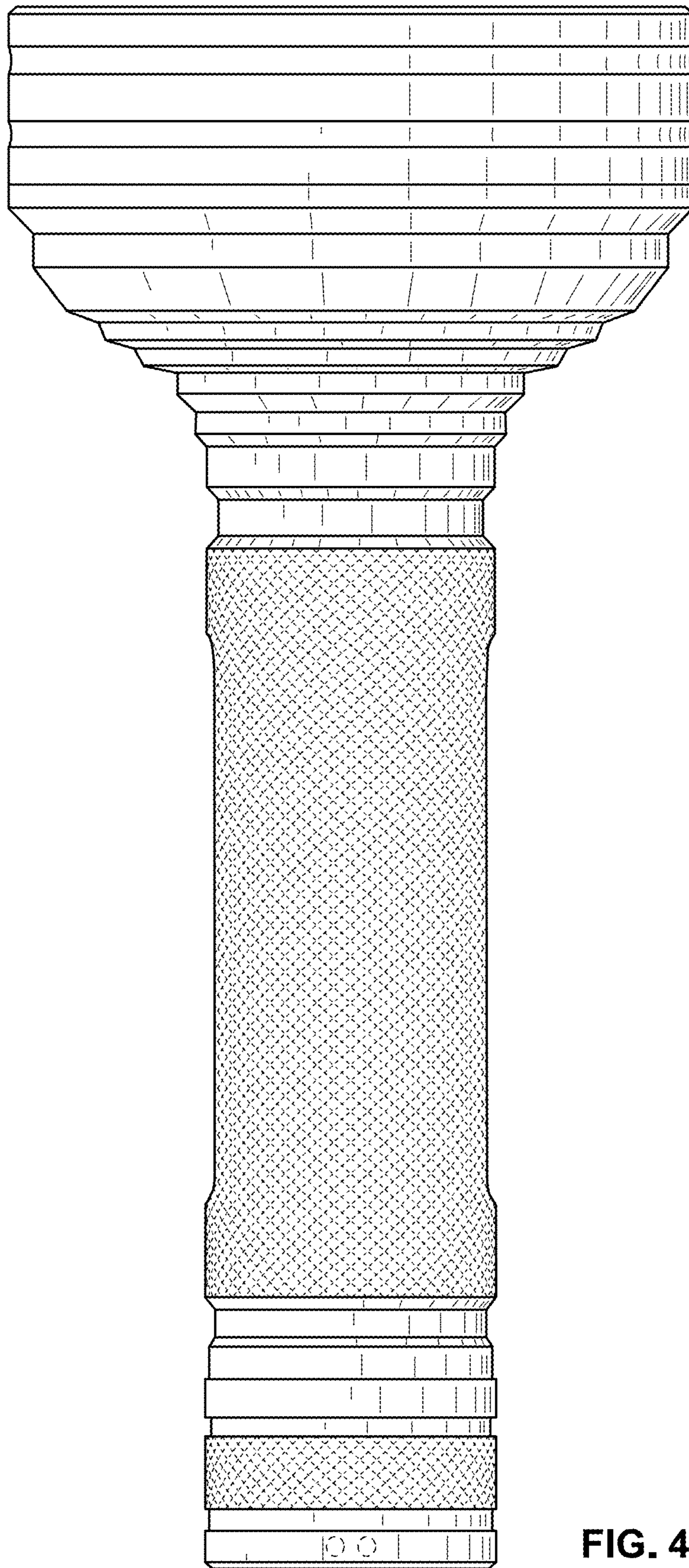


FIG. 4

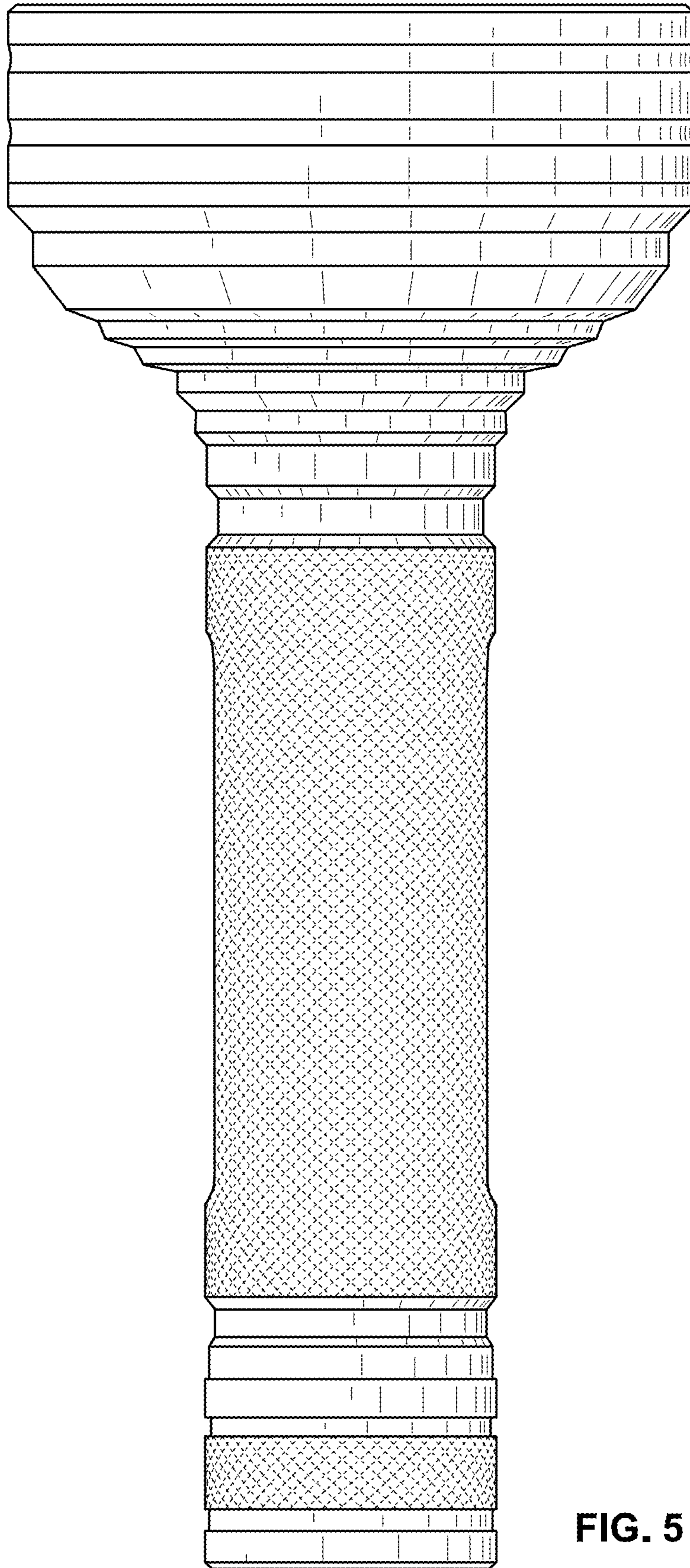


FIG. 5

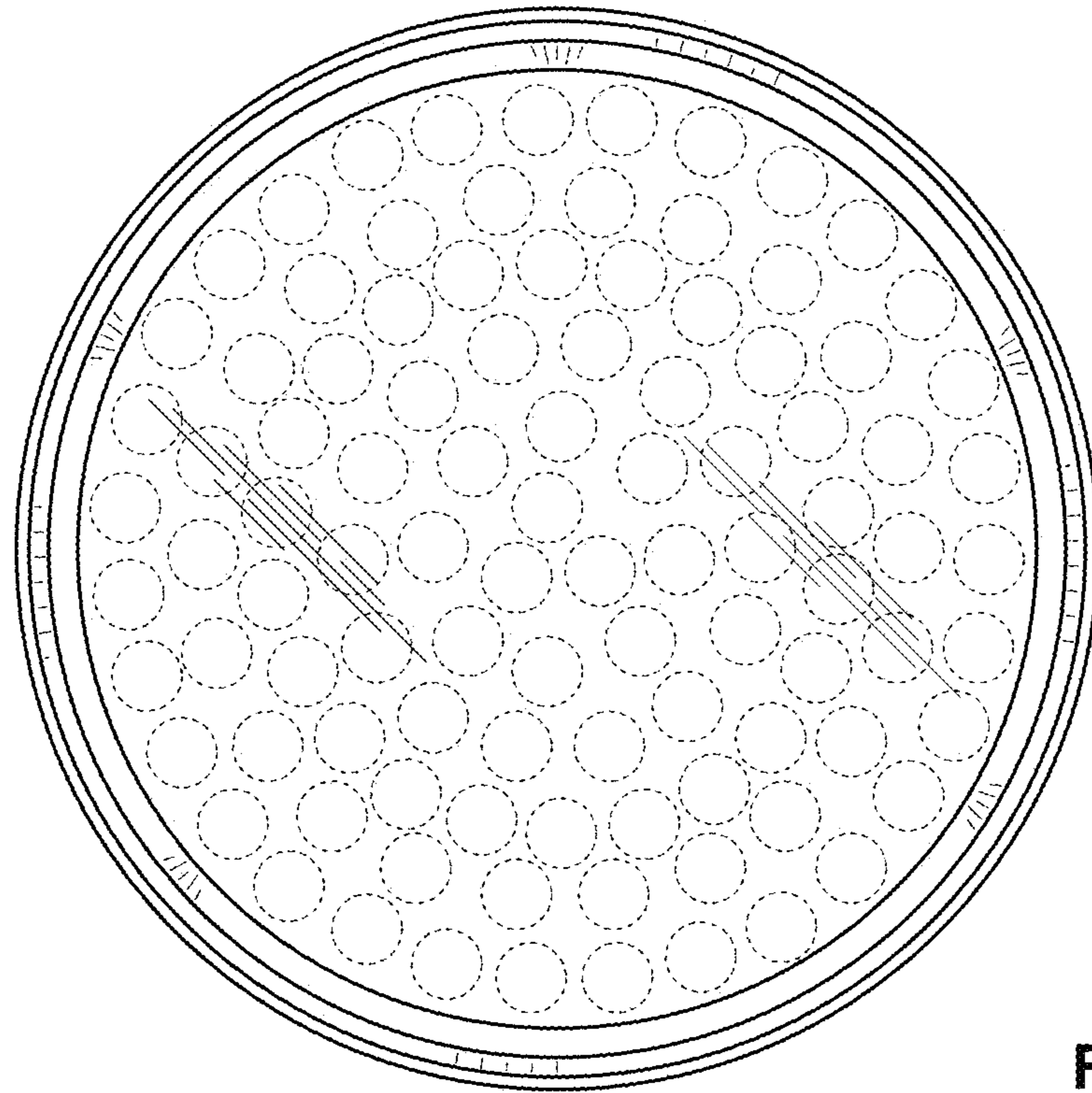


FIG. 6

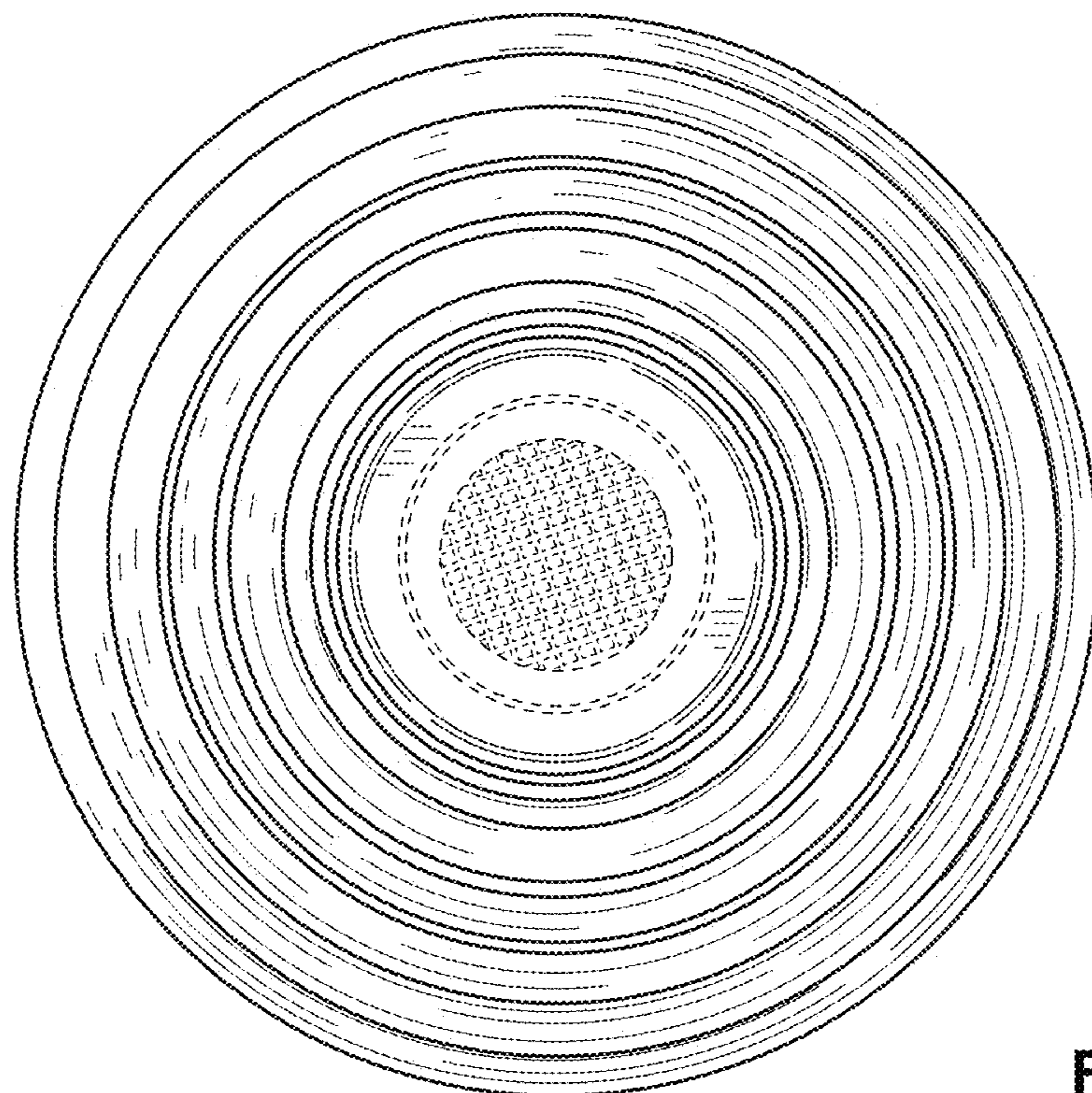


FIG. 7