



US00D877379S

(12) **United States Design Patent**  
**Qiu**

(10) **Patent No.:** **US D877,379 S**

(45) **Date of Patent:** **\*\* Mar. 3, 2020**

(54) **FLASHLIGHT**

(71) Applicant: **NINGBO HONGFU ALUMINIUM & PLASTIC ELECTRIC APPLIANCE CO., LTD.**, Xidian Town (CN)

(72) Inventor: **Enyuan Qiu**, Xidian Town (CN)

(73) Assignee: **Ningbo Hongfu Aluminium & Plastic Electric Appliance Co, Ltd** (CN)

(\*\*) Term: **15 Years**

(21) Appl. No.: **29/644,688**

(22) Filed: **Apr. 19, 2018**

(30) **Foreign Application Priority Data**

Dec. 22, 2017 (CN) ..... 2017 3 0662780

(51) **LOC (12) Cl.** ..... **26-02**

(52) **U.S. Cl.**  
USPC ..... **D26/49**

(58) **Field of Classification Search**

USPC ..... D26/37-51  
CPC ..... F21L 2003/00; F21L 4/00; F21L 4/005;  
F21L 4/02; F21L 4/025; F21L 4/027;  
F21L 4/04; F21L 4/08; F21L 2005/00;  
F21L 7/00; F21L 11/00; F21L 13/00;  
F21L 13/04; F21L 13/08; F21L 14/02;  
F21L 17/00; F21L 19/00; F21L 25/00

See application file for complete search history.

(56) **References Cited**

**U.S. PATENT DOCUMENTS**

D514,725 S \* 2/2006 Shiu ..... D26/49  
D532,138 S \* 11/2006 Wang ..... D26/49

D562,482 S \* 2/2008 Larkin ..... D26/49  
D574,529 S \* 8/2008 Squires ..... D26/49  
D608,481 S \* 1/2010 Yang ..... D26/49  
D621,538 S \* 8/2010 Bushee ..... D26/49  
D647,232 S \* 10/2011 Liu ..... D26/49  
D719,694 S \* 12/2014 Nawaz ..... D22/117  
D748,837 S \* 2/2016 Cacciabeve ..... D26/49  
D802,195 S \* 11/2017 Huang ..... D26/49  
D803,444 S \* 11/2017 Green ..... D26/49

\* cited by examiner

*Primary Examiner* — Lakiya G Rogers

*Assistant Examiner* — Carissa C Fitts

(74) *Attorney, Agent, or Firm* — Fresh IP PLC; Aubrey Y Chen

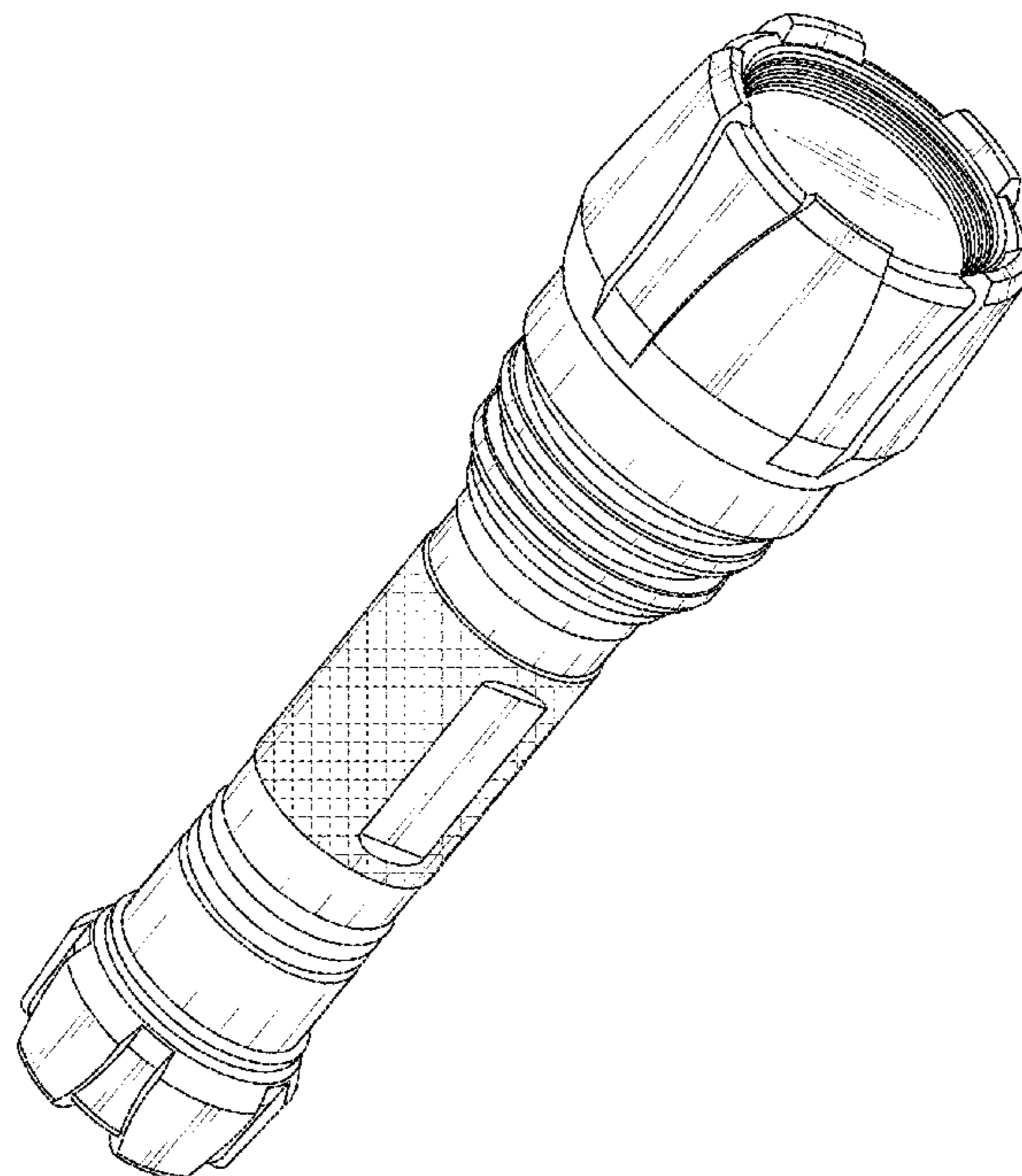
(57) **CLAIM**

The ornamental design for a flashlight, as shown and described.

**DESCRIPTION**

FIG. 1 is a top perspective view of a flashlight showing the front, top and left sides;  
FIG. 2 is a bottom perspective view of the flashlight, showing the front, bottom and right sides;  
FIG. 3 is a front view of the flashlight;  
FIG. 4 is a rear view of the flashlight;  
FIG. 5 is a left side view of the flashlight;  
FIG. 6 is a right side view of the flashlight;  
FIG. 7 is a top view of the flashlight; and,  
FIG. 8 is a bottom view of the flashlight.  
The broken lines show portions of the article which form no part of the claimed design.

**1 Claim, 7 Drawing Sheets**



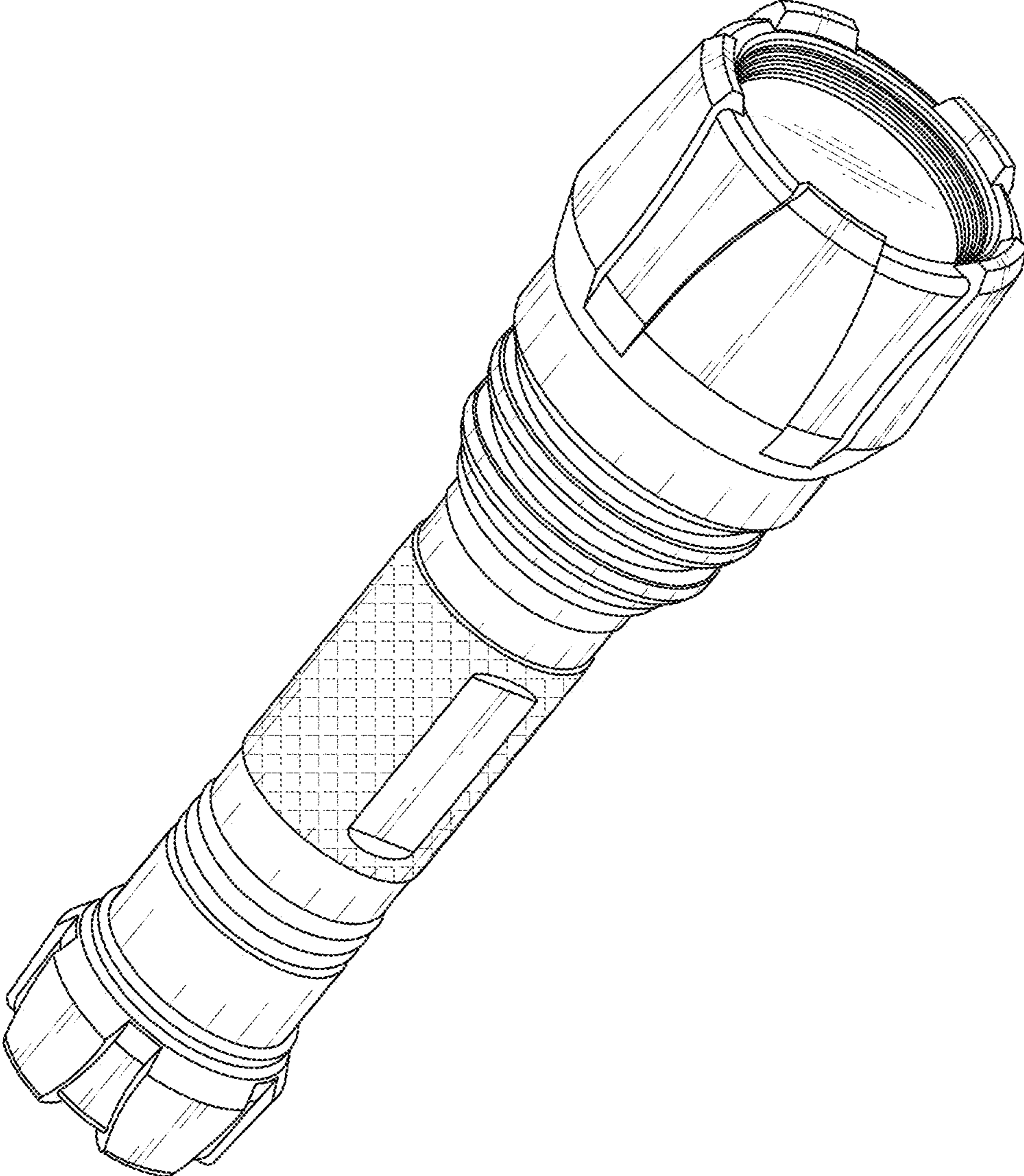


FIG. 1

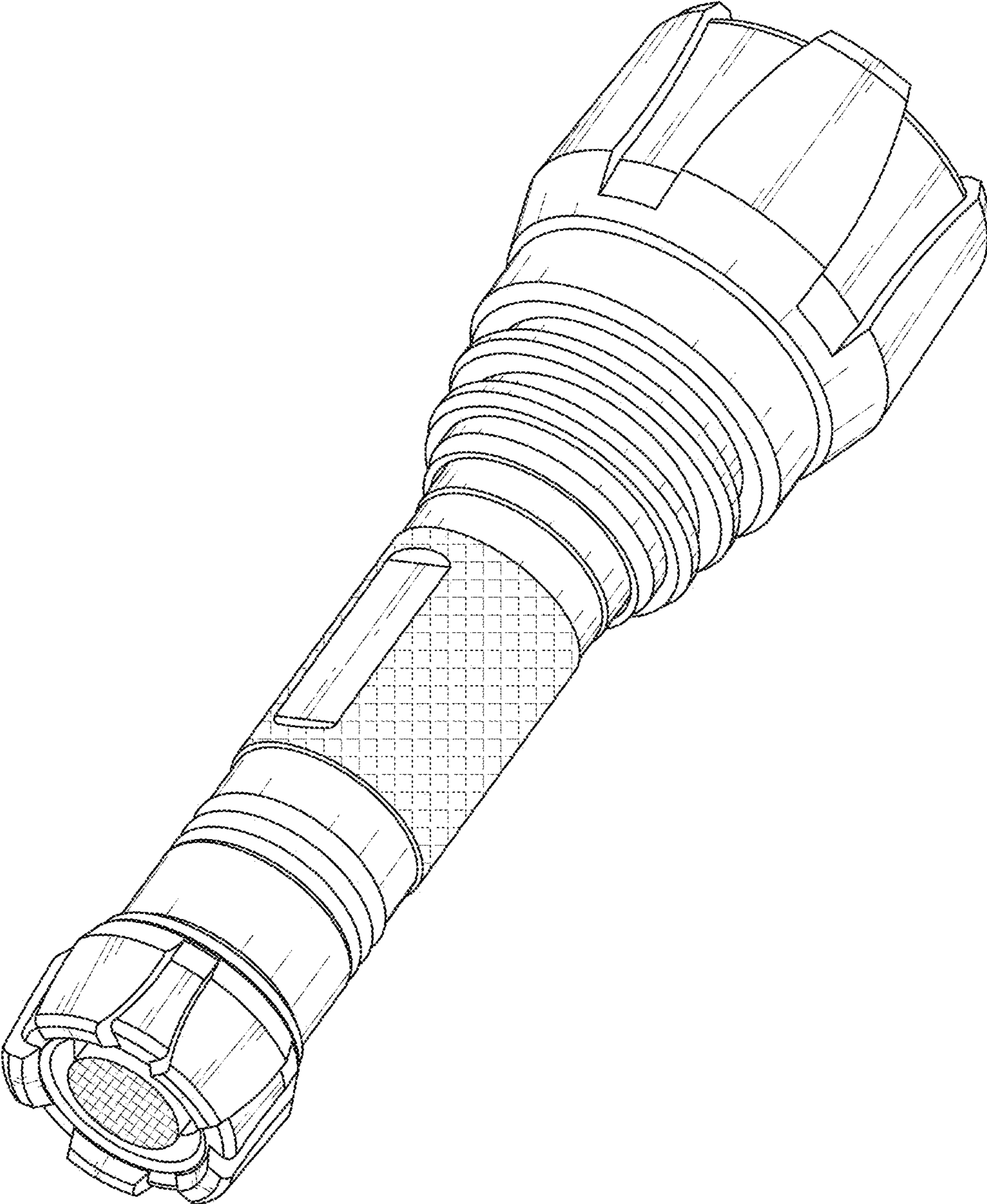


FIG. 2

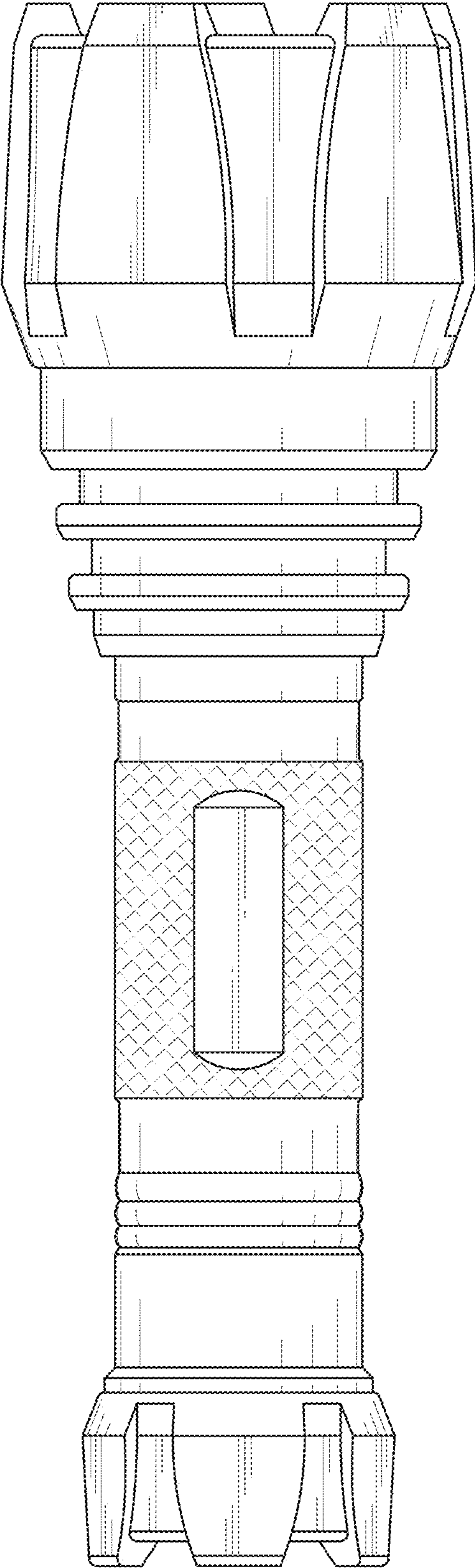


FIG. 3

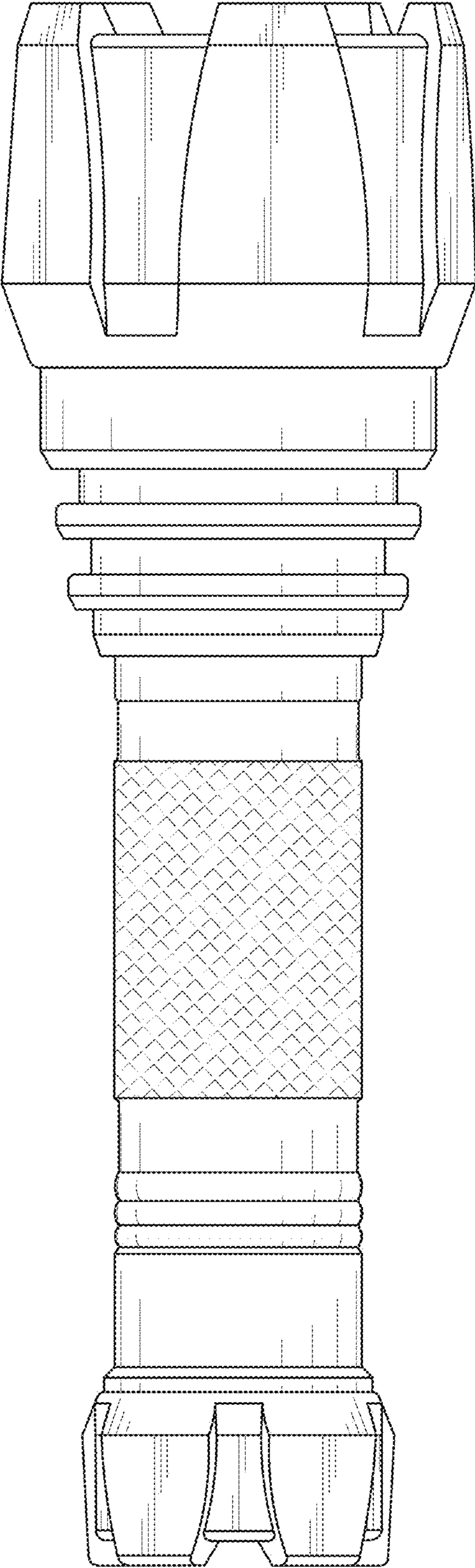


FIG. 4

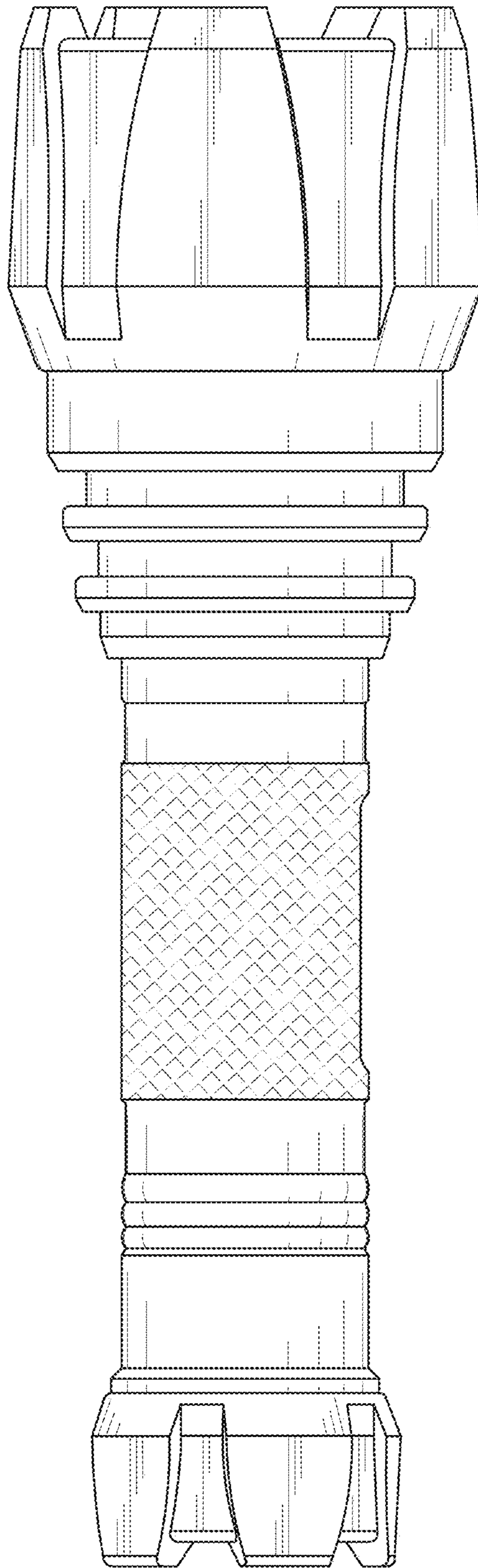


FIG. 5

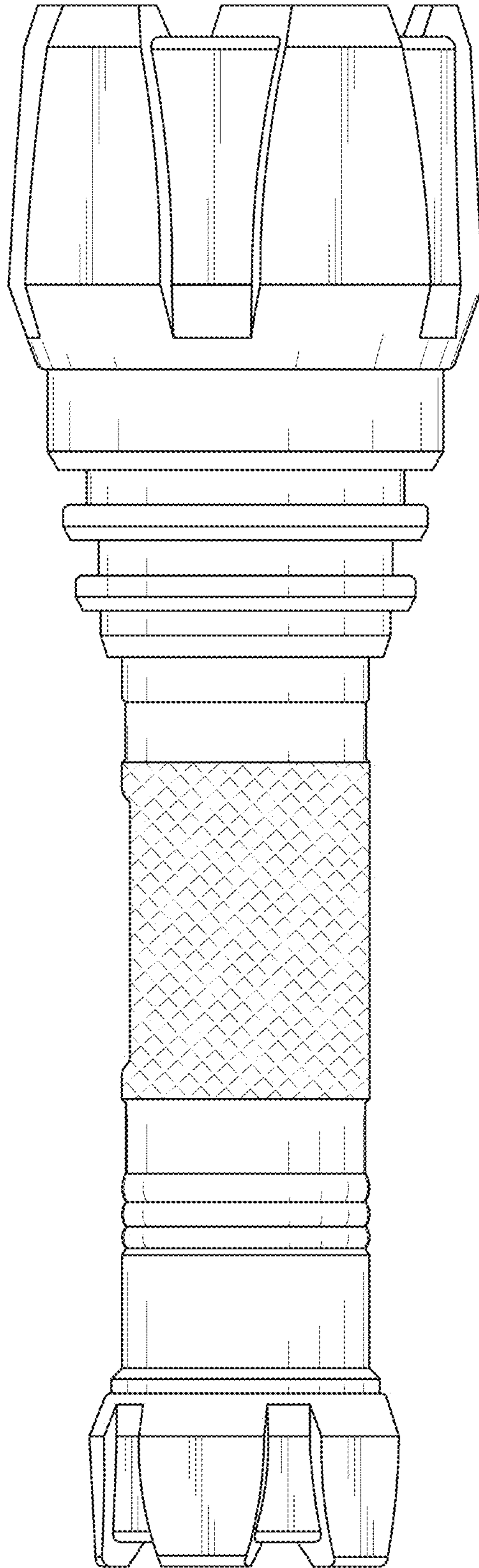


FIG. 6

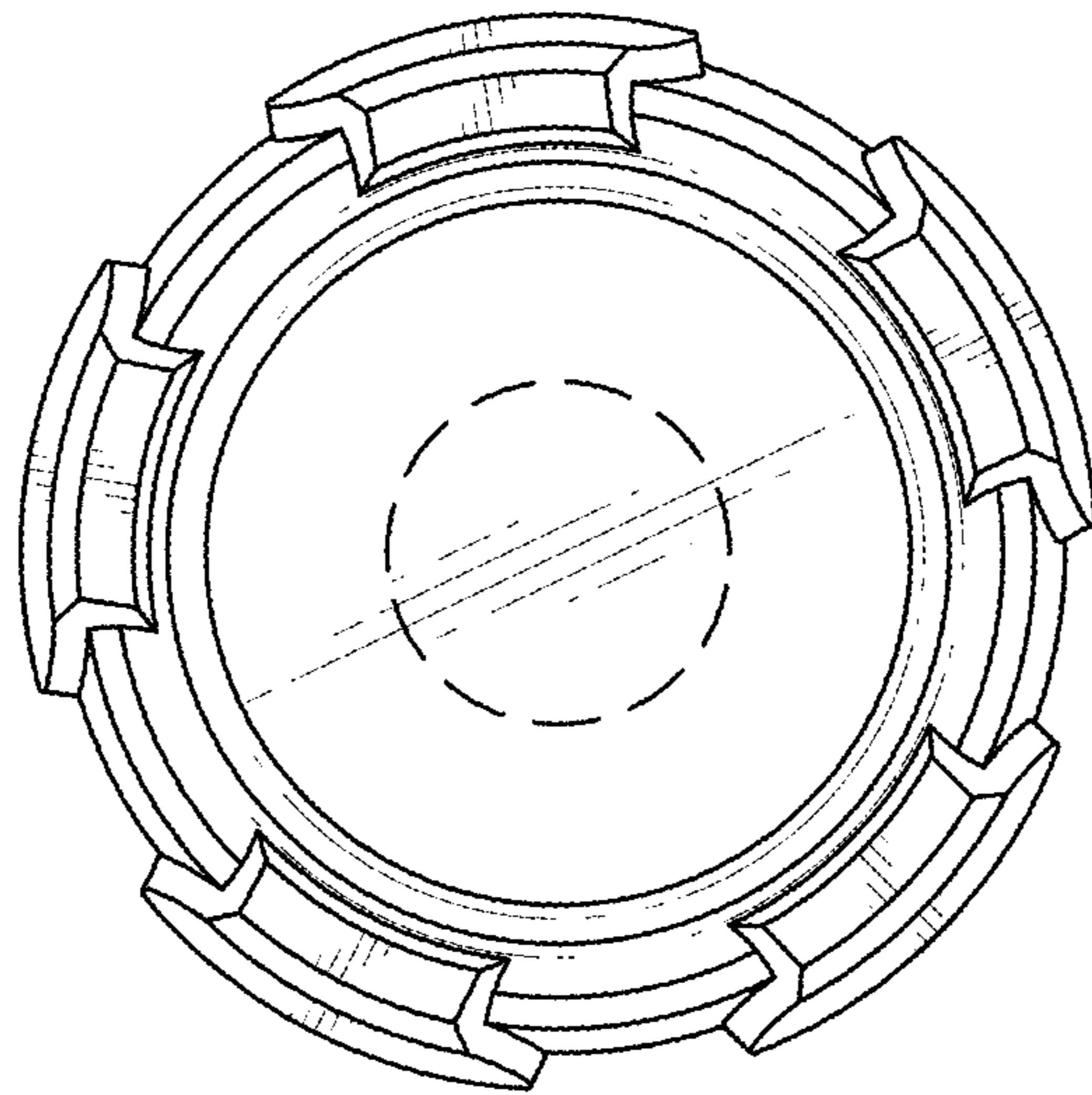


FIG. 7

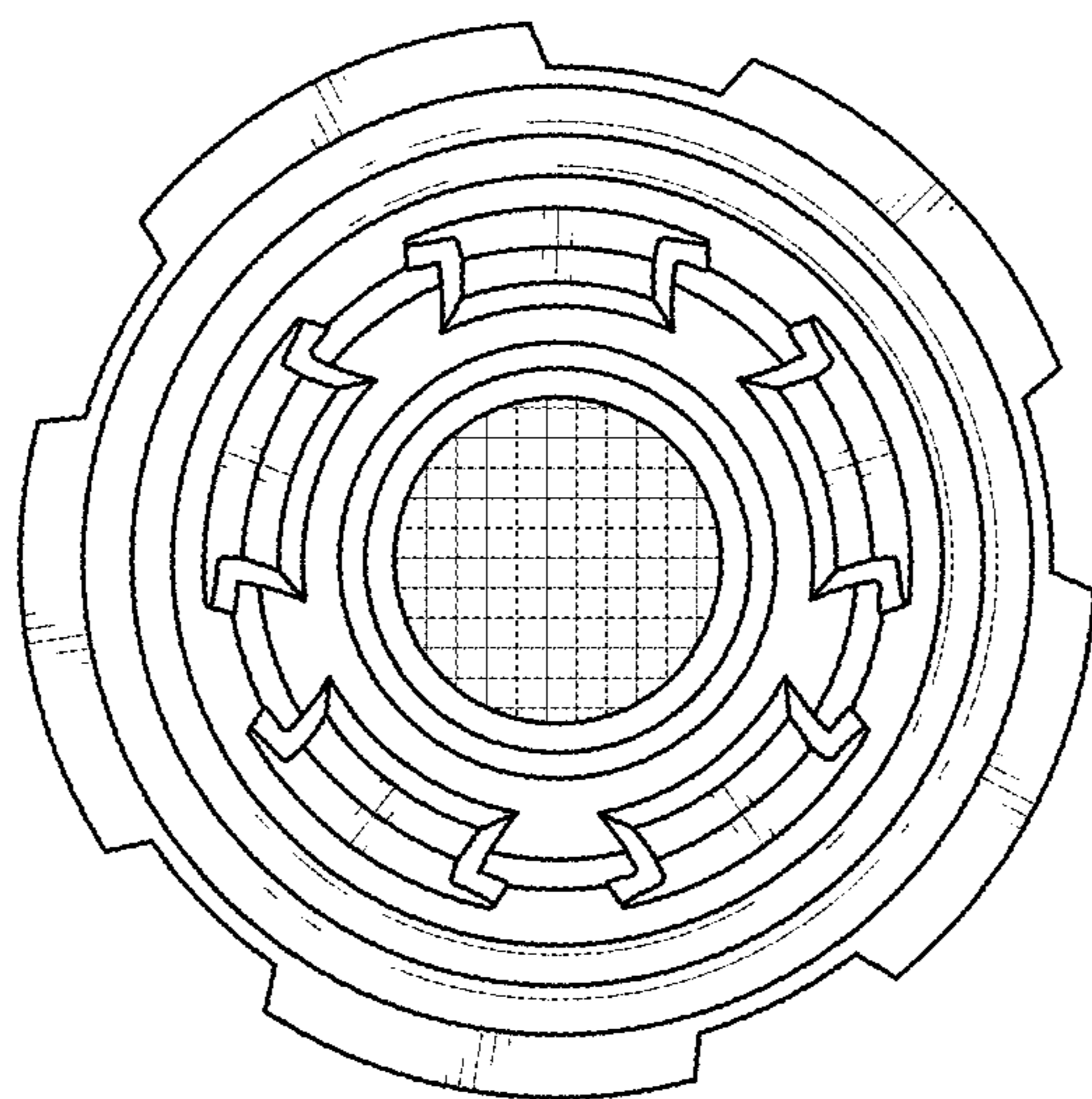


FIG. 8