



US00D877378S

(12) **United States Design Patent** (10) **Patent No.:** **US D877,378 S**
Stowell et al. (45) **Date of Patent:** **** Mar. 3, 2020**

- (54) **LED CAP COVER FOR A VEHICLE TAILGATE**
- (71) Applicant: **Martin L. Stowell**, Valencia, CA (US)
- (72) Inventors: **Martin L. Stowell**, Valencia, CA (US);
Mark Santus, Daytona Beach, FL (US)
- (73) Assignee: **Martin L. Stowell**, Valencia, CA (US)
- (**) Term: **15 Years**
- (21) Appl. No.: **29/621,361**
- (22) Filed: **Oct. 6, 2017**
- (51) **LOC (12) Cl.** **26-06**
- (52) **U.S. Cl.**
USPC **D26/35**
- (58) **Field of Classification Search**
USPC D26/28-36, 139
CPC F21S 48/00; F21S 48/10; F21S 48/115;
F21S 48/225; F21S 48/1233; F21S
48/1266; F21S 48/1388; F21S 48/2268;
F21V 21/04; B60Q 9/13; B60Q 9/135;
B60Q 9/1375
See application file for complete search history.

(56) **References Cited**

U.S. PATENT DOCUMENTS

1,431,139	A	10/1922	Norton	
3,496,742	A	2/1970	Rothweiler et al.	
3,691,366	A	9/1972	Spreuer	
D234,532	S *	3/1975	Reicherts	D26/35
D243,273	S *	2/1977	Braucht	D26/35
D267,818	S *	2/1983	Lynn	D26/35
4,584,856	A	4/1986	Petersdorff et al.	
D295,447	S *	4/1988	Jones	D26/35
5,709,367	A	1/1998	Heintz et al.	
6,799,873	B2	10/2004	Fox	
7,057,885	B2	6/2006	Shih-Tsung	
7,455,436	B2	11/2008	Rowland et al.	

7,834,750	B1	11/2010	Hertz et al.
7,954,783	B2	6/2011	Vigil
8,237,557	B1	8/2012	Hertz et al.
8,714,792	B2	5/2014	Adams
8,833,986	B2	9/2014	MacGregor
9,205,774	B2	12/2015	Kennemer et al.
9,540,866	B2	1/2017	Yi
9,651,193	B1	5/2017	Taberner
2005/0146888	A1	7/2005	Metcalfe
2008/0310179	A1	12/2008	Bates
2010/0186465	A1	7/2010	Frantz
2011/0090072	A1	4/2011	Haldeman
2017/0184271	A1	6/2017	Norris et al.

* cited by examiner

Primary Examiner — Marcus A Jackson

(74) *Attorney, Agent, or Firm* — Brian S. Steinberger;
Hilary F. Steinberger; Law Offices of Brian S.
Steinberger, P.A.

(57) **CLAIM**

The ornamental design for a LED cap cover for a vehicle tailgate, as shown and described.

DESCRIPTION

FIG. 1 is an upper front left perspective view of a LED cap cover for a vehicle tailgate.
 FIG. 2 is an upper front right perspective view of the cap cover of FIG. 1.
 FIG. 3 is a lower front right perspective view of the cap cover of FIG. 1.
 FIG. 4 is a lower front left perspective view of the cap cover of FIG. 1.
 FIG. 5 is a front view of the cap cover of FIG. 1.
 FIG. 6 is a rear view of the cap cover of FIG. 1.
 FIG. 7 is a top view of the cap cover of FIG. 1.
 FIG. 8 is a bottom view of the cap cover of FIG. 1.
 FIG. 9 is a right end view of the cap cover of FIG. 1; and,
 FIG. 10 is a left end view of the cap cover of FIG. 1.

1 Claim, 5 Drawing Sheets

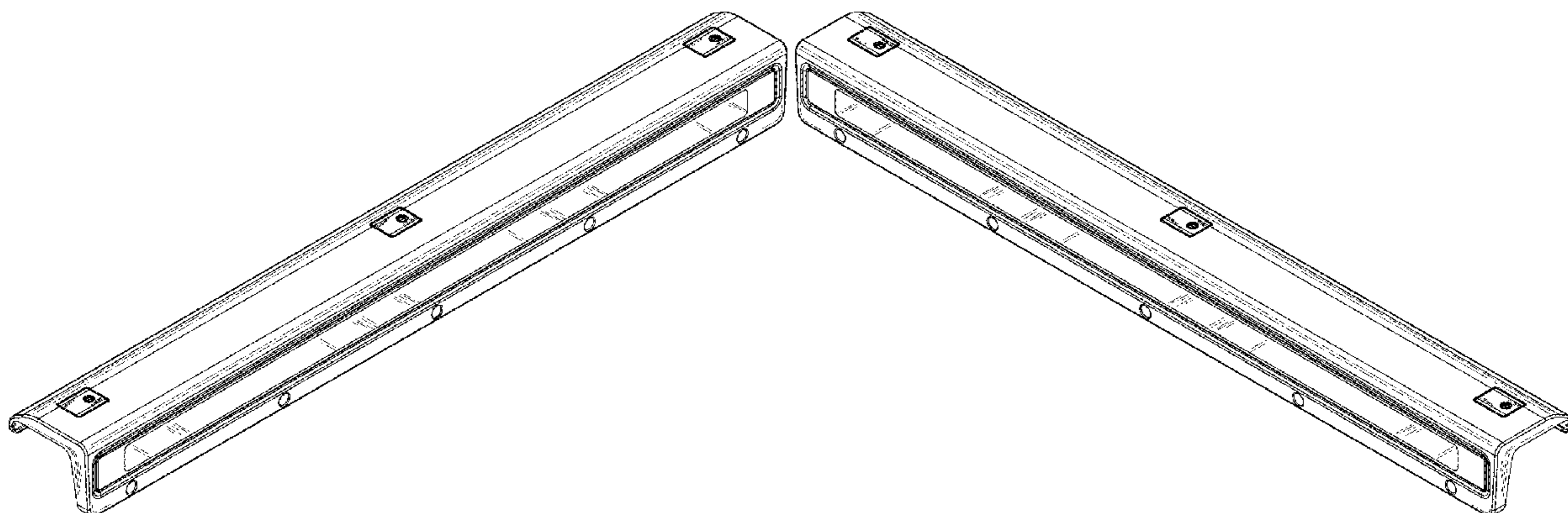


FIG. 1

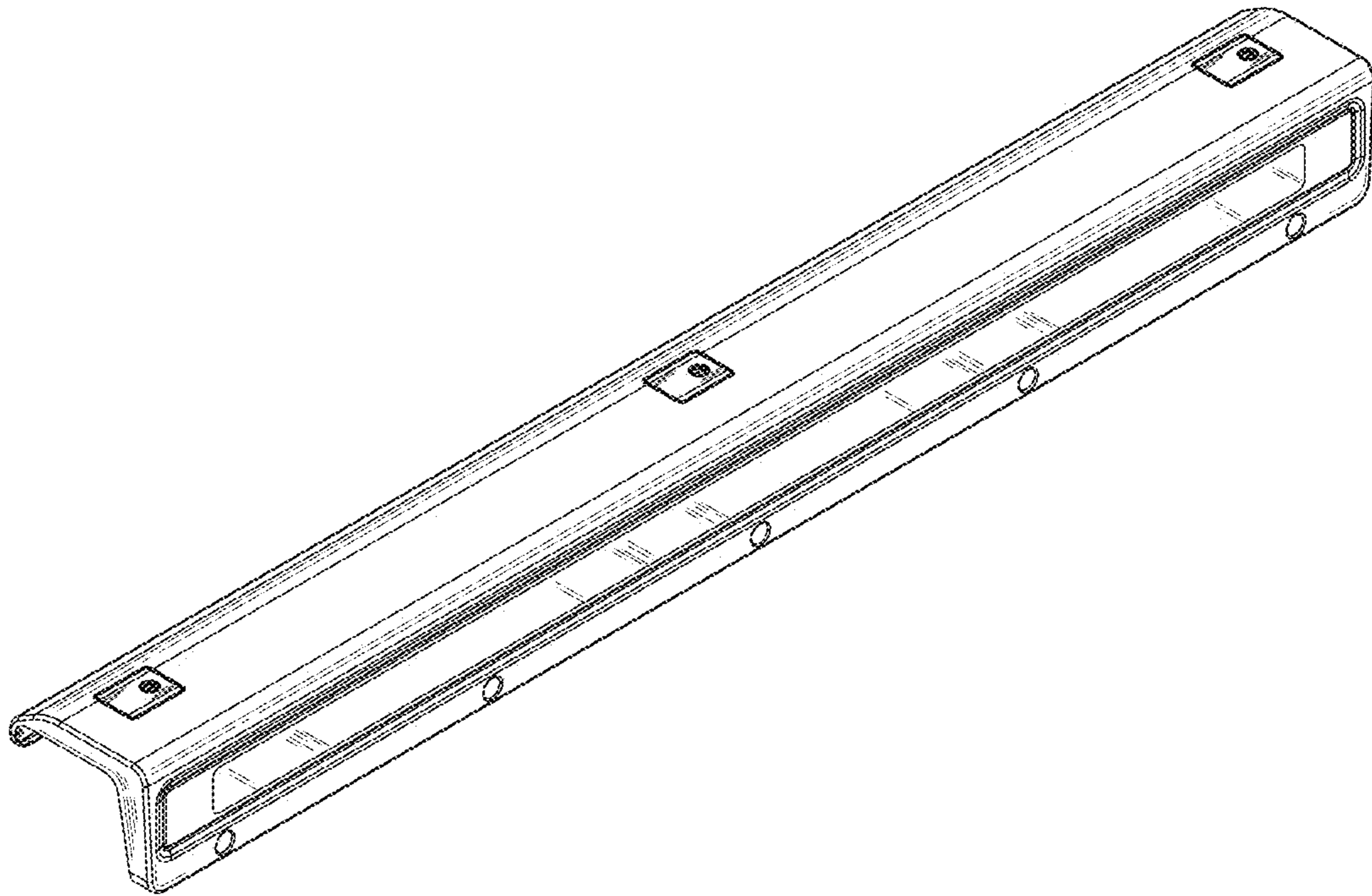


FIG. 2

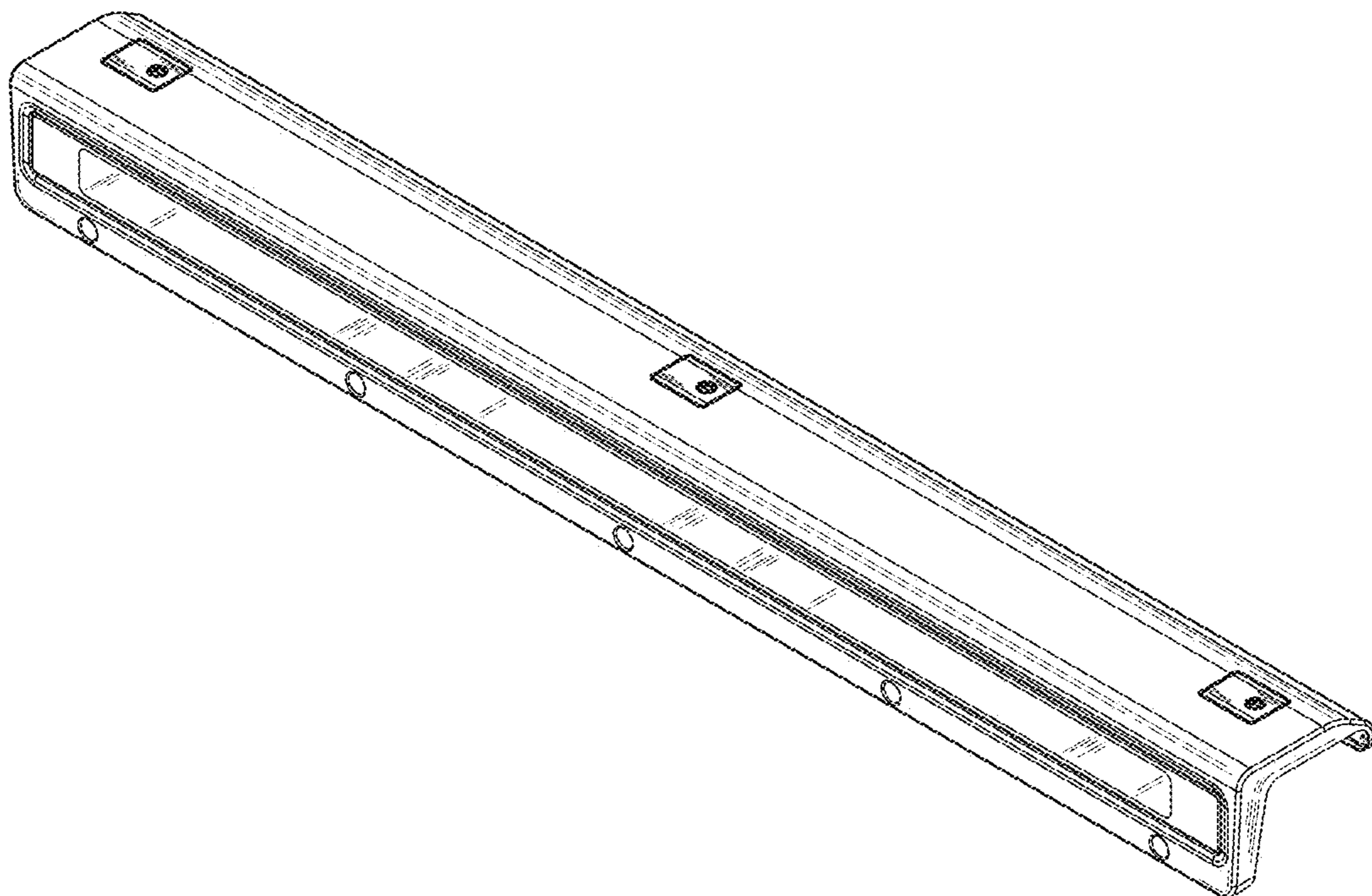


FIG. 3

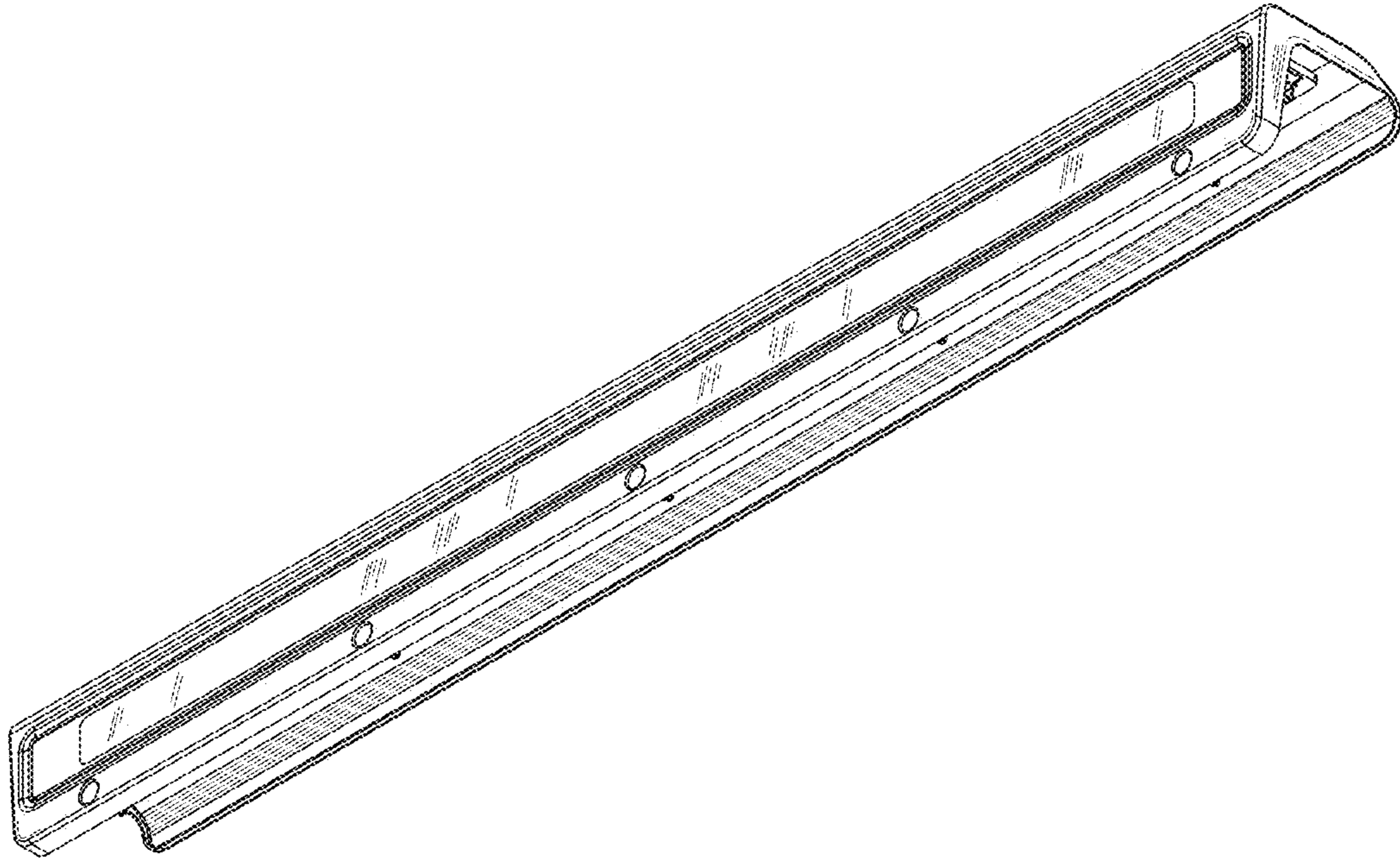


FIG. 4

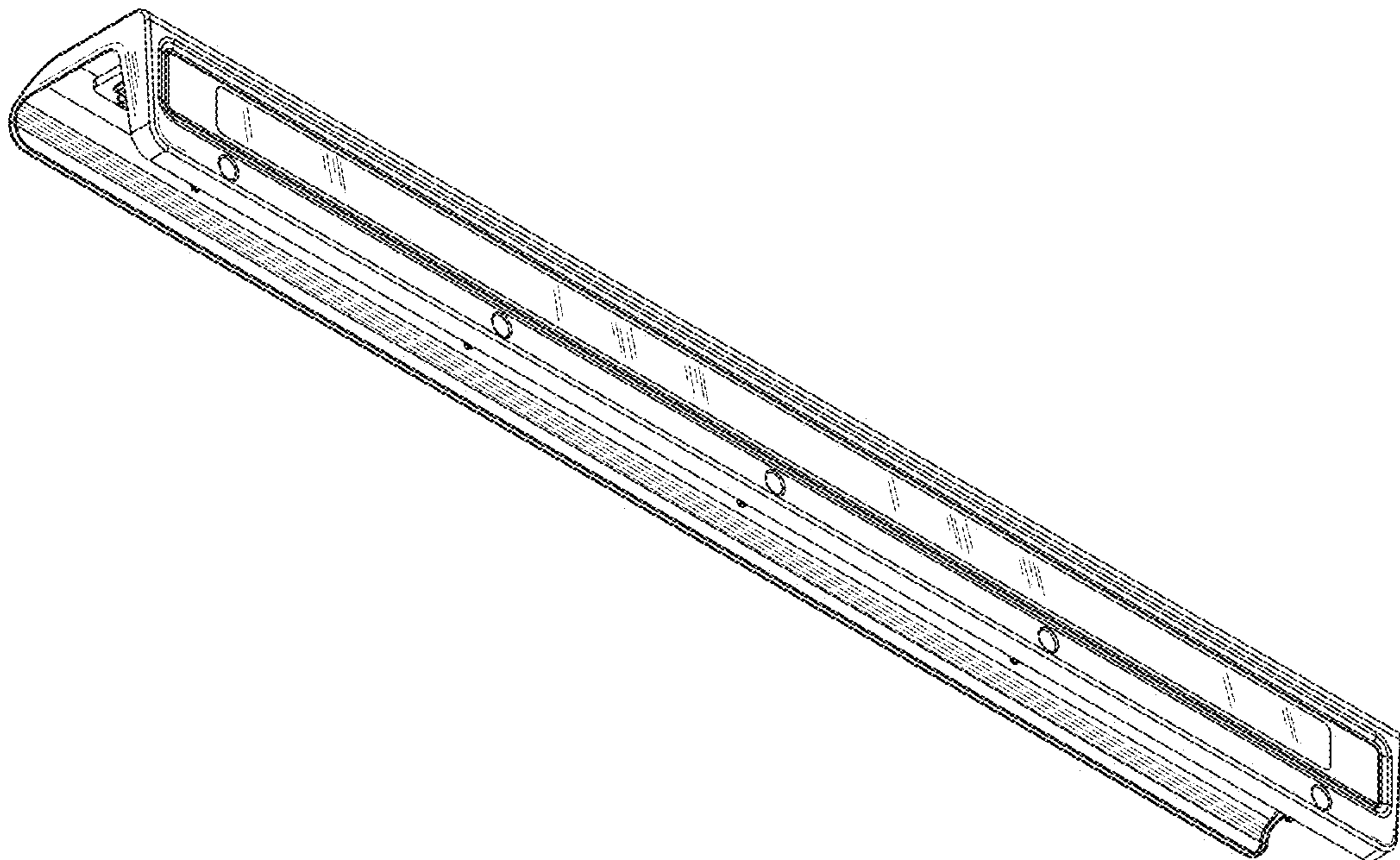


FIG. 5

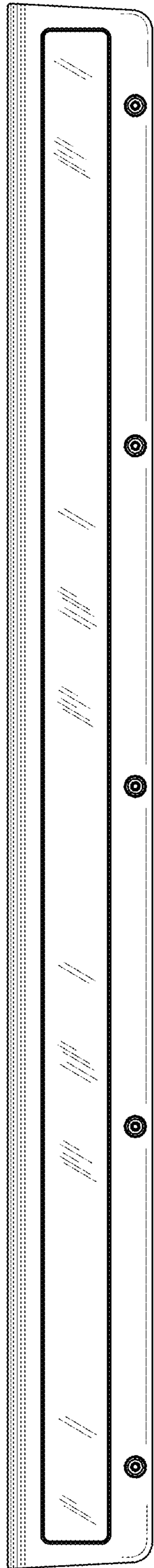


FIG. 6

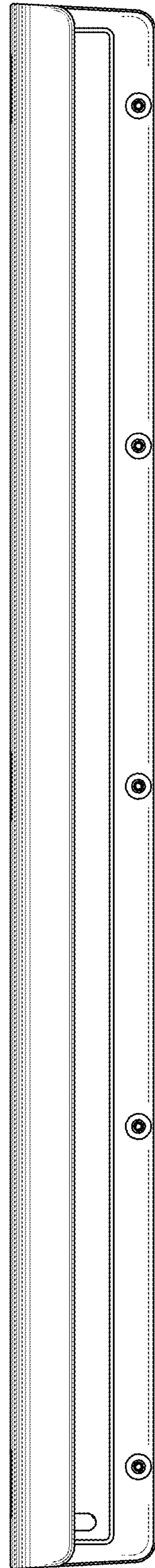


FIG. 8

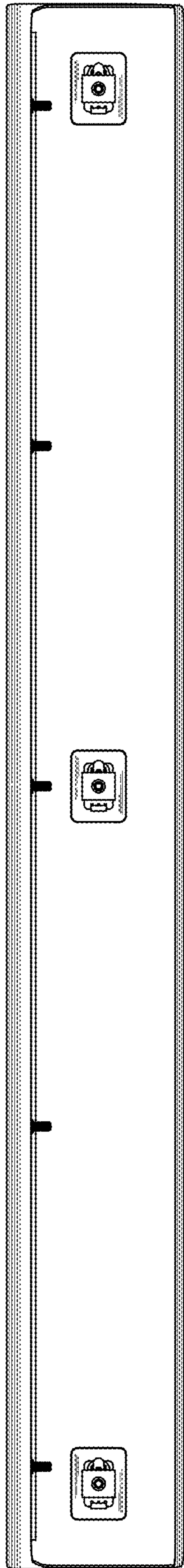


FIG. 7

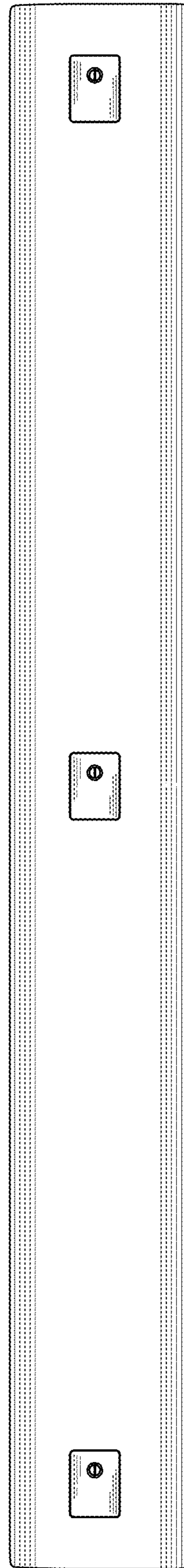


FIG. 9

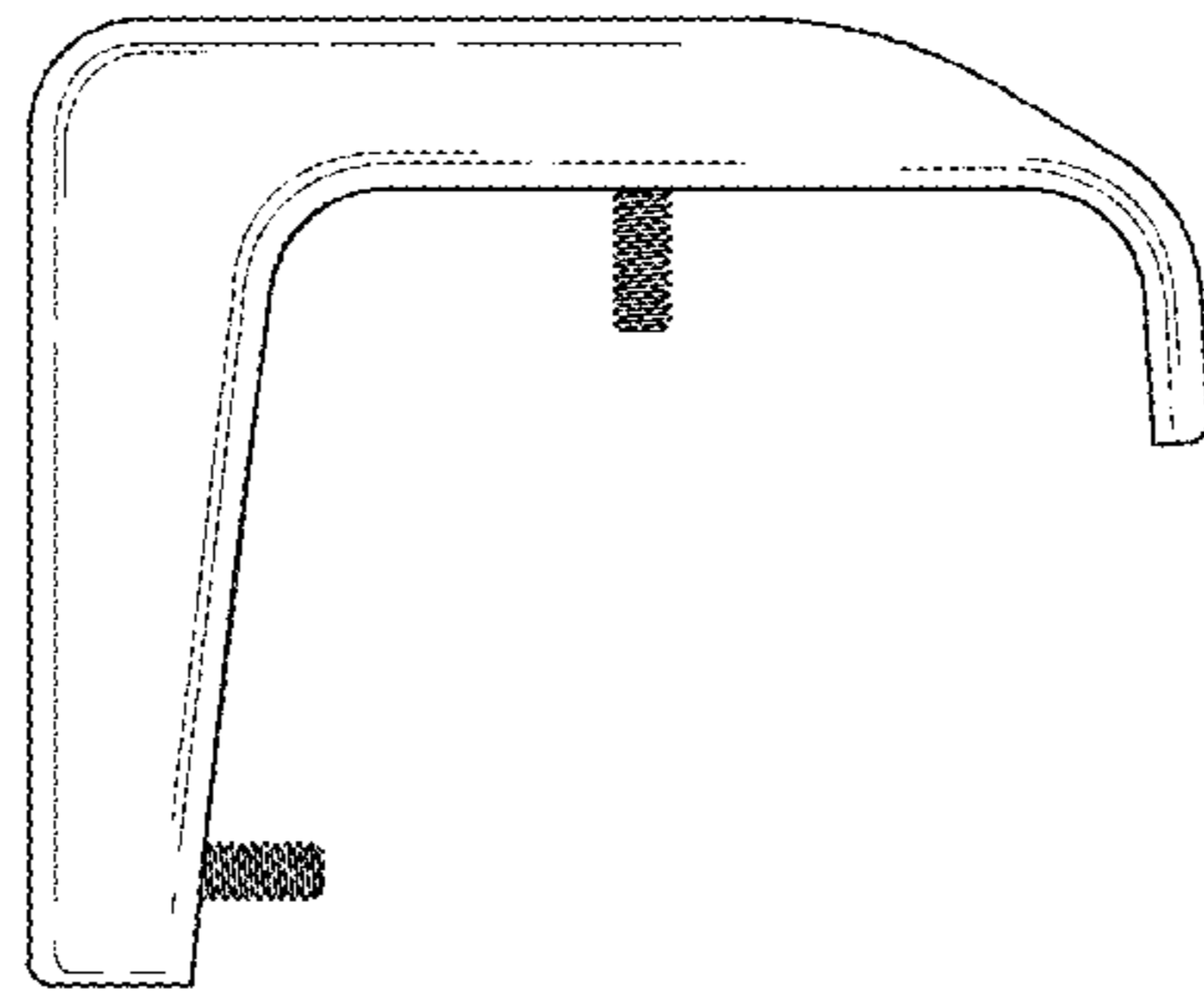


FIG. 10

