



US00D877374S

(12) **United States Design Patent**
Luo

(10) **Patent No.:** **US D877,374 S**
(45) **Date of Patent:** **** Mar. 3, 2020**

(54) **HEADLIGHT**

(71) Applicant: **Xing Wen Luo**, City of Industry, CA
(US)

(72) Inventor: **Xing Wen Luo**, City of Industry, CA
(US)

(**) Term: **15 Years**

(21) Appl. No.: **29/668,491**

(22) Filed: **Oct. 30, 2018**

(51) **LOC (12) Cl.** **26-06**

(52) **U.S. Cl.**
USPC **D26/28**

(58) **Field of Classification Search**
USPC D26/28-36, 139
CPC F21S 48/00; F21S 48/10; F21S 48/115;
F21S 48/225; F21S 48/1233; F21S
48/1266; F21S 48/1388; F21S 48/2268;
F21V 21/04; F21V 13/00; F21V 29/004
See application file for complete search history.

(56) **References Cited**

U.S. PATENT DOCUMENTS

D504,734 S * 5/2005 Weng D26/28
D642,711 S * 8/2011 Schneider D26/28

D703,847 S * 4/2014 MacKay D26/28
D749,246 S * 2/2016 Thole D26/28
D767,180 S * 9/2016 Lai D26/28
D792,619 S * 7/2017 Wu D26/28
D812,274 S * 3/2018 Wu D26/28

* cited by examiner

Primary Examiner — Marcus A Jackson
(74) *Attorney, Agent, or Firm* — Raymond Y. Chan;
David and Raymond Patent Firm

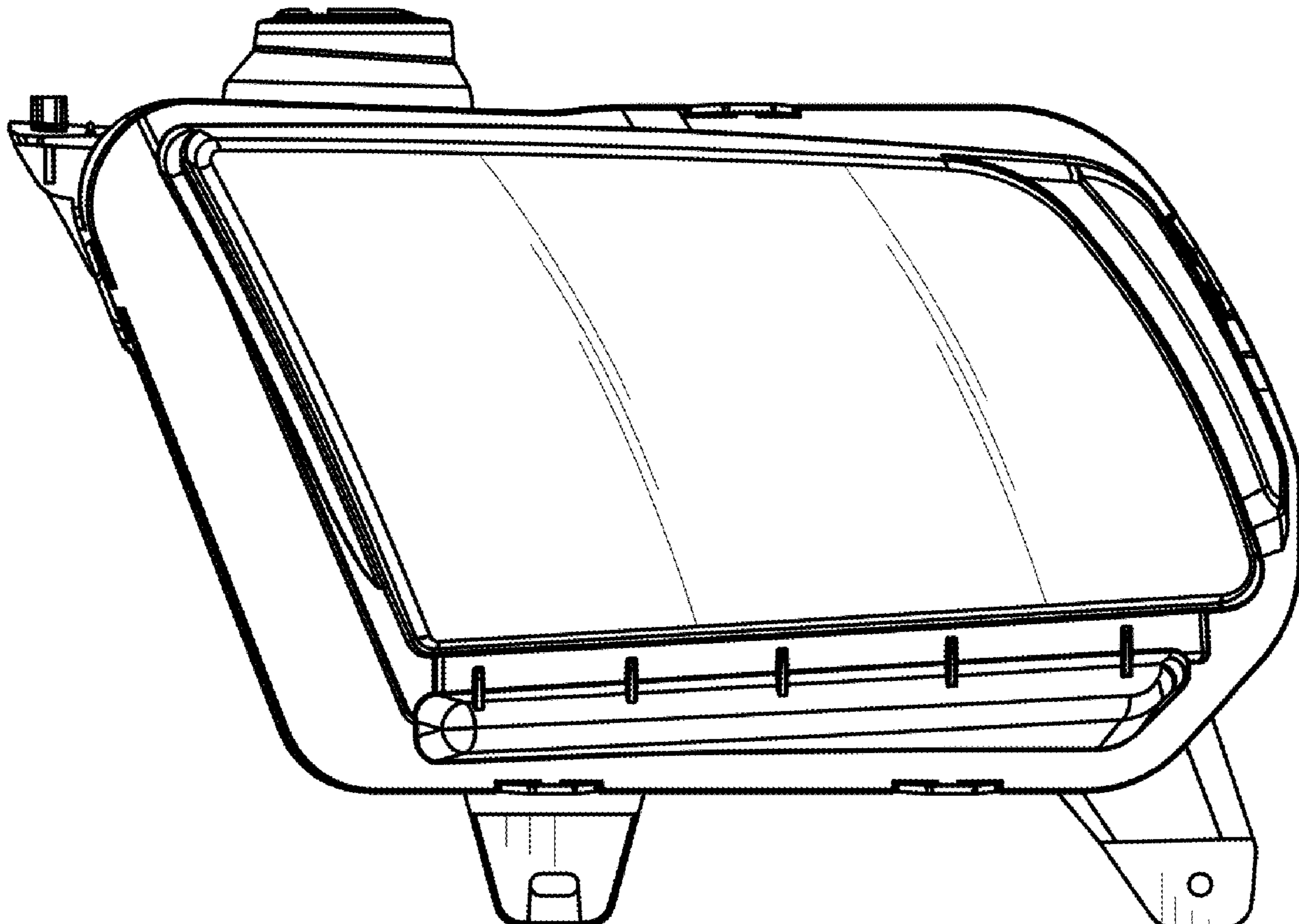
(57) **CLAIM**

The ornamental design for a headlight, as shown and described.

DESCRIPTION

FIG. 1 is a front view of the headlight of my new design;
FIG. 2 is a rear view thereof;
FIG. 3 is a right view thereof;
FIG. 4 is a left view thereof;
FIG. 5 is a top view thereof;
FIG. 6 is a bottom view thereof; and,
FIG. 7 is a front view thereof, illustrating the headlight
without a front panel to show an interior thereof.

1 Claim, 7 Drawing Sheets



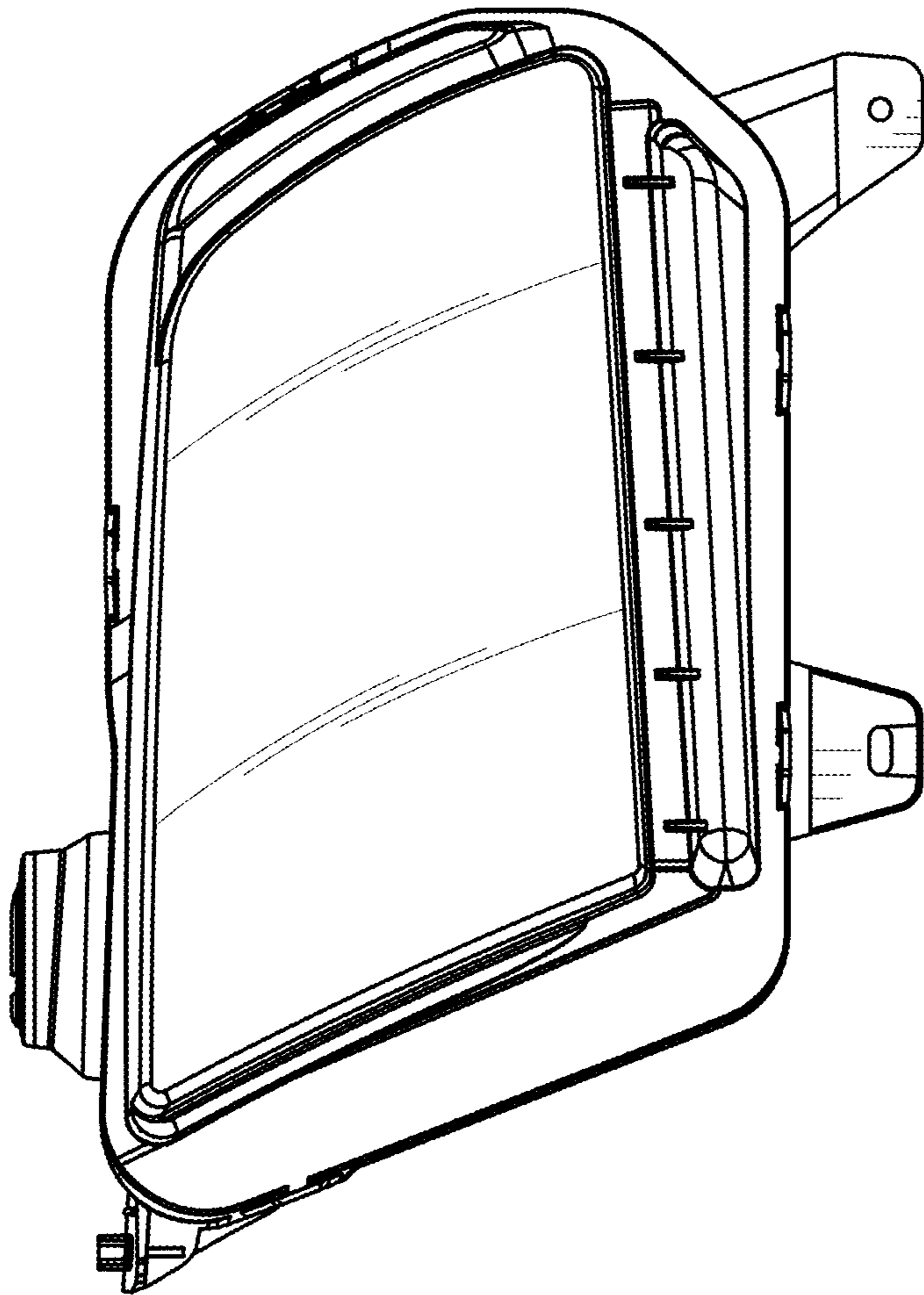


FIG. 1

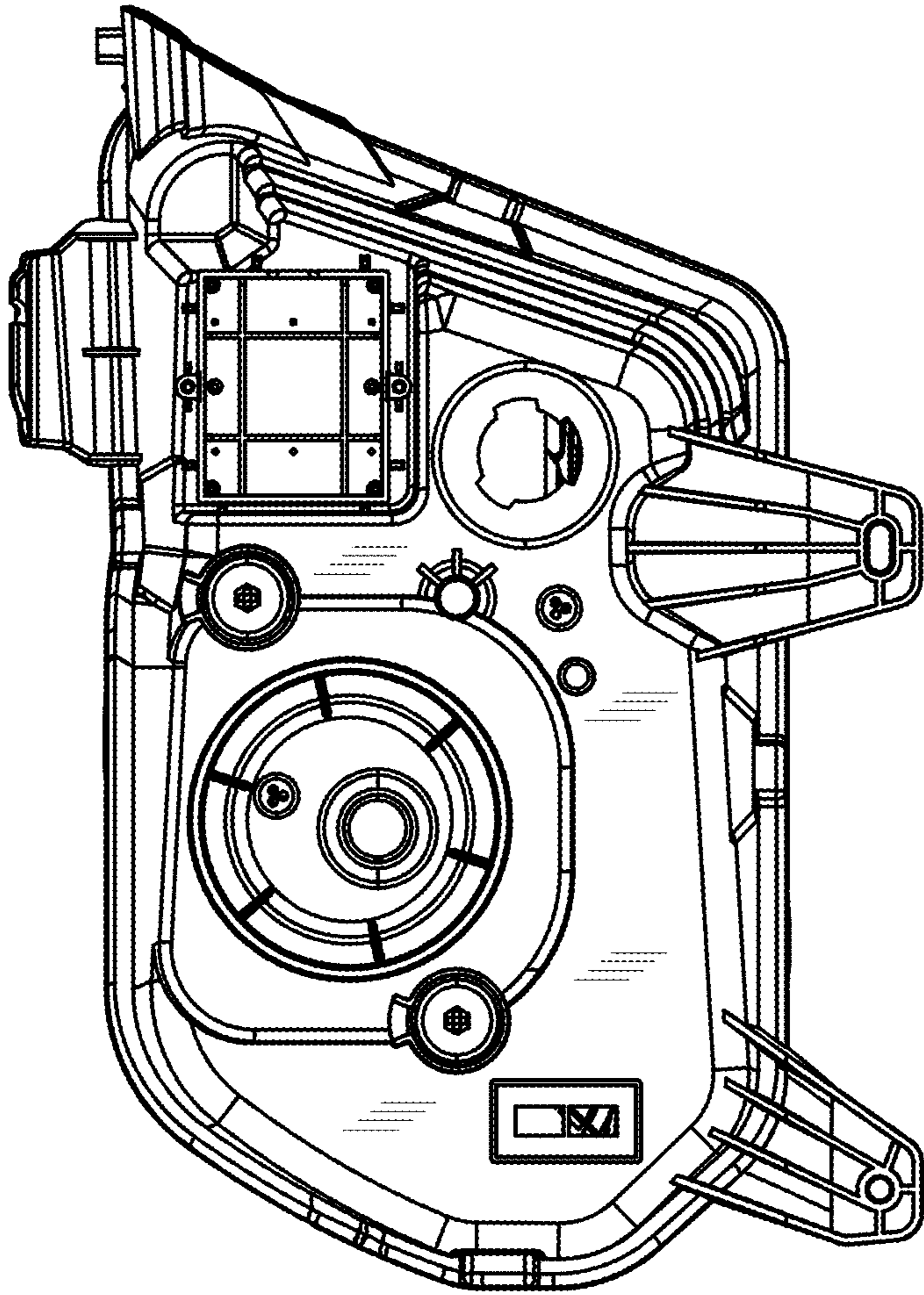


FIG. 2

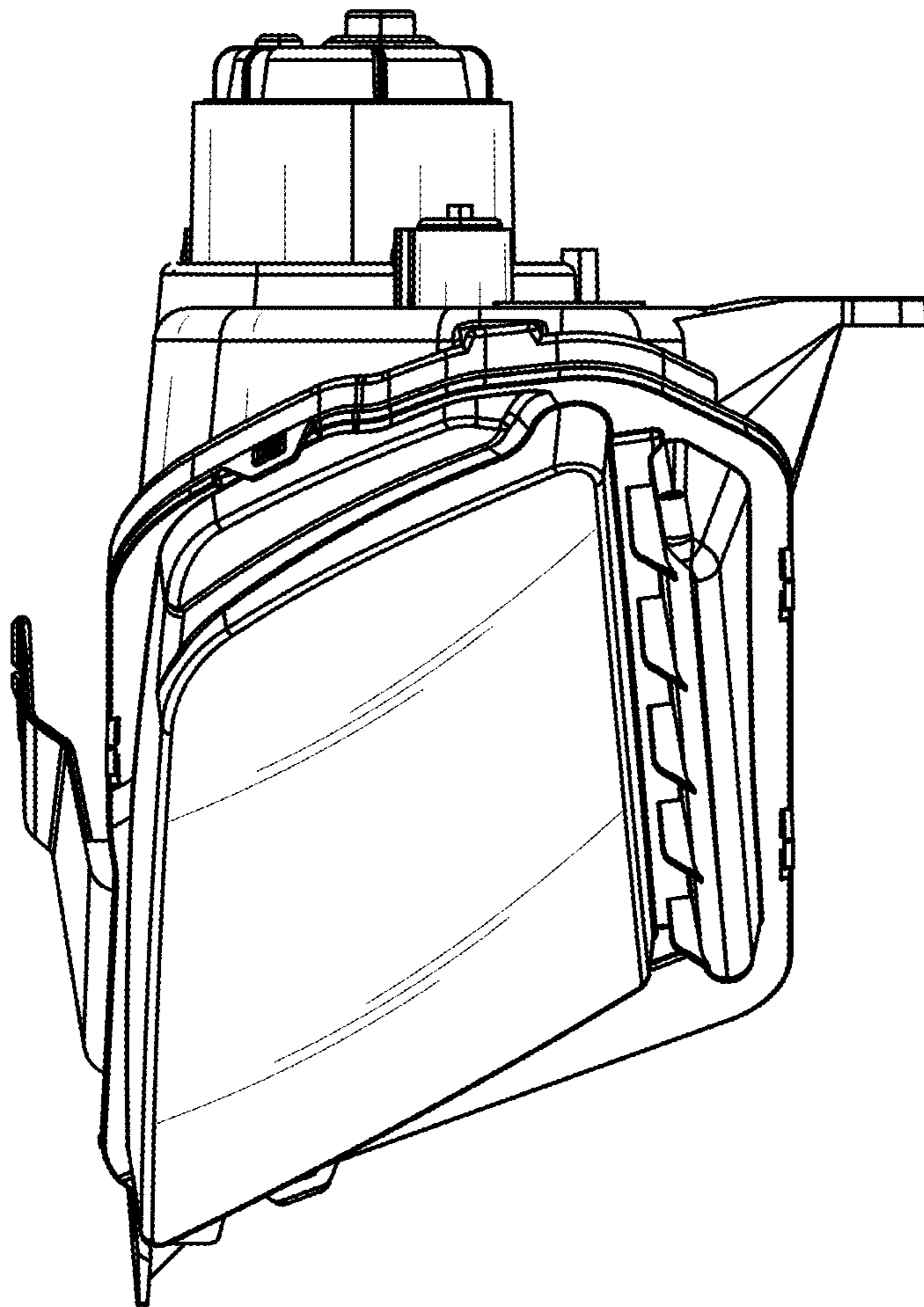


FIG. 3

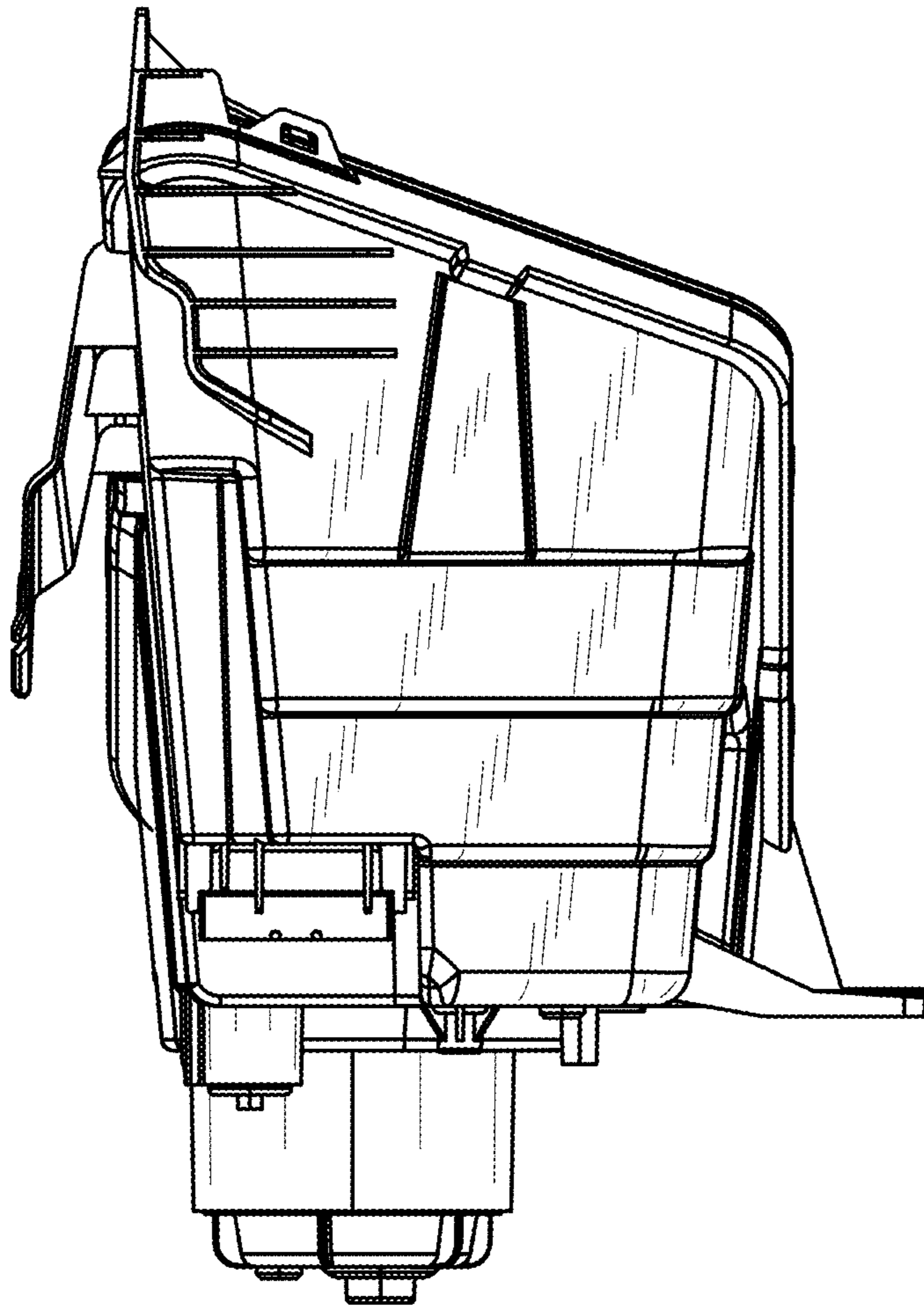


FIG. 4

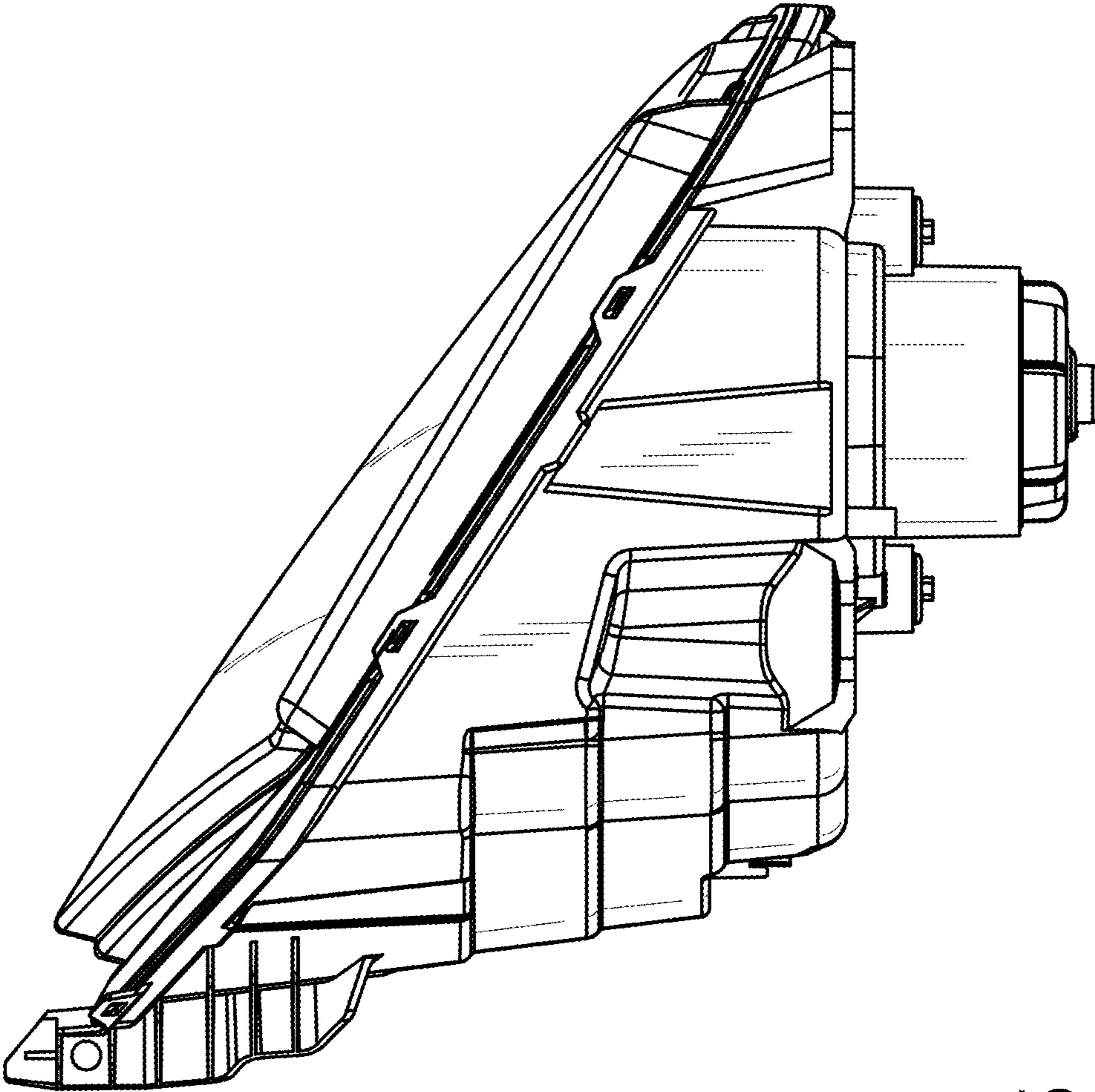


FIG. 5

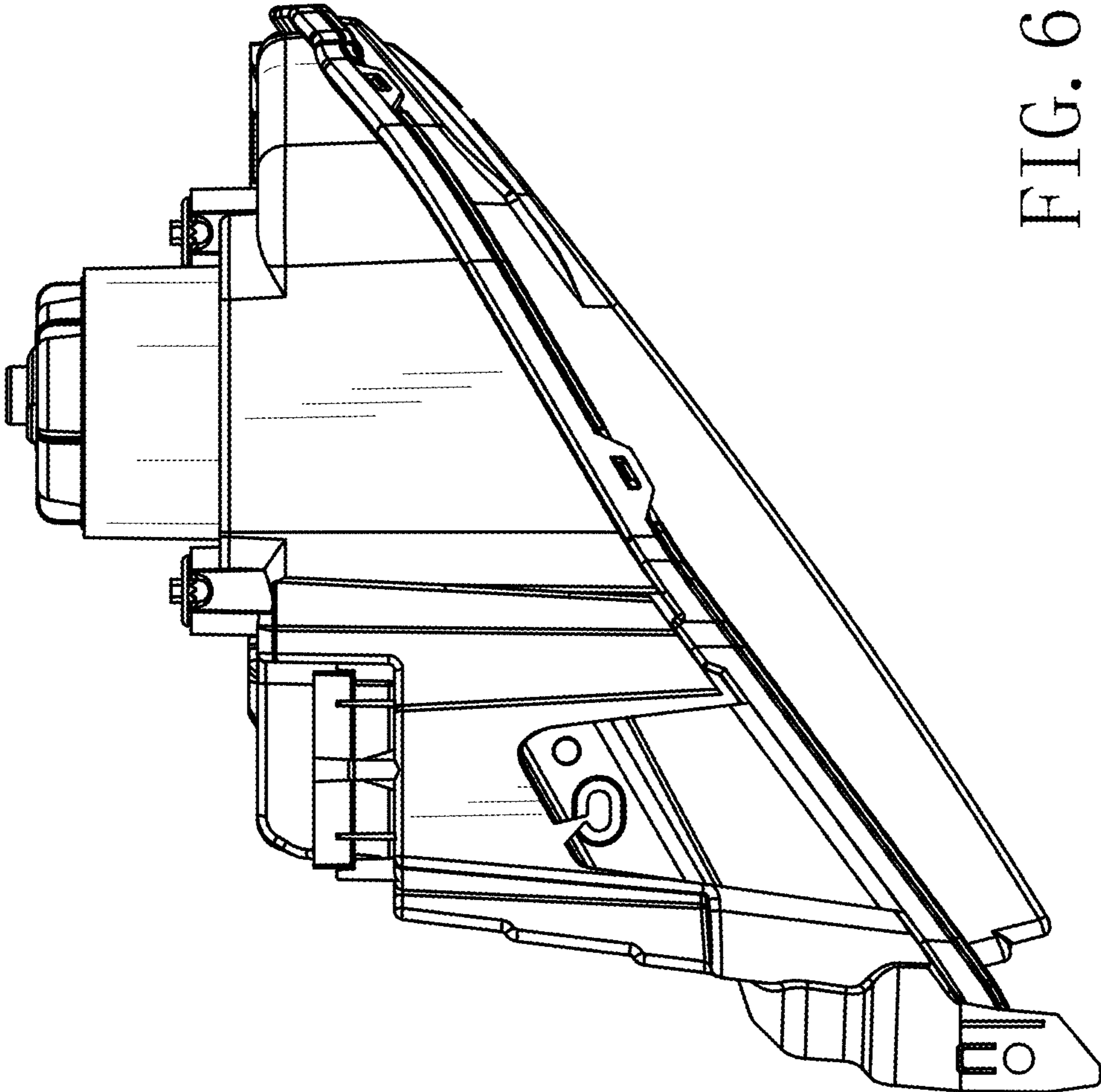


FIG. 6

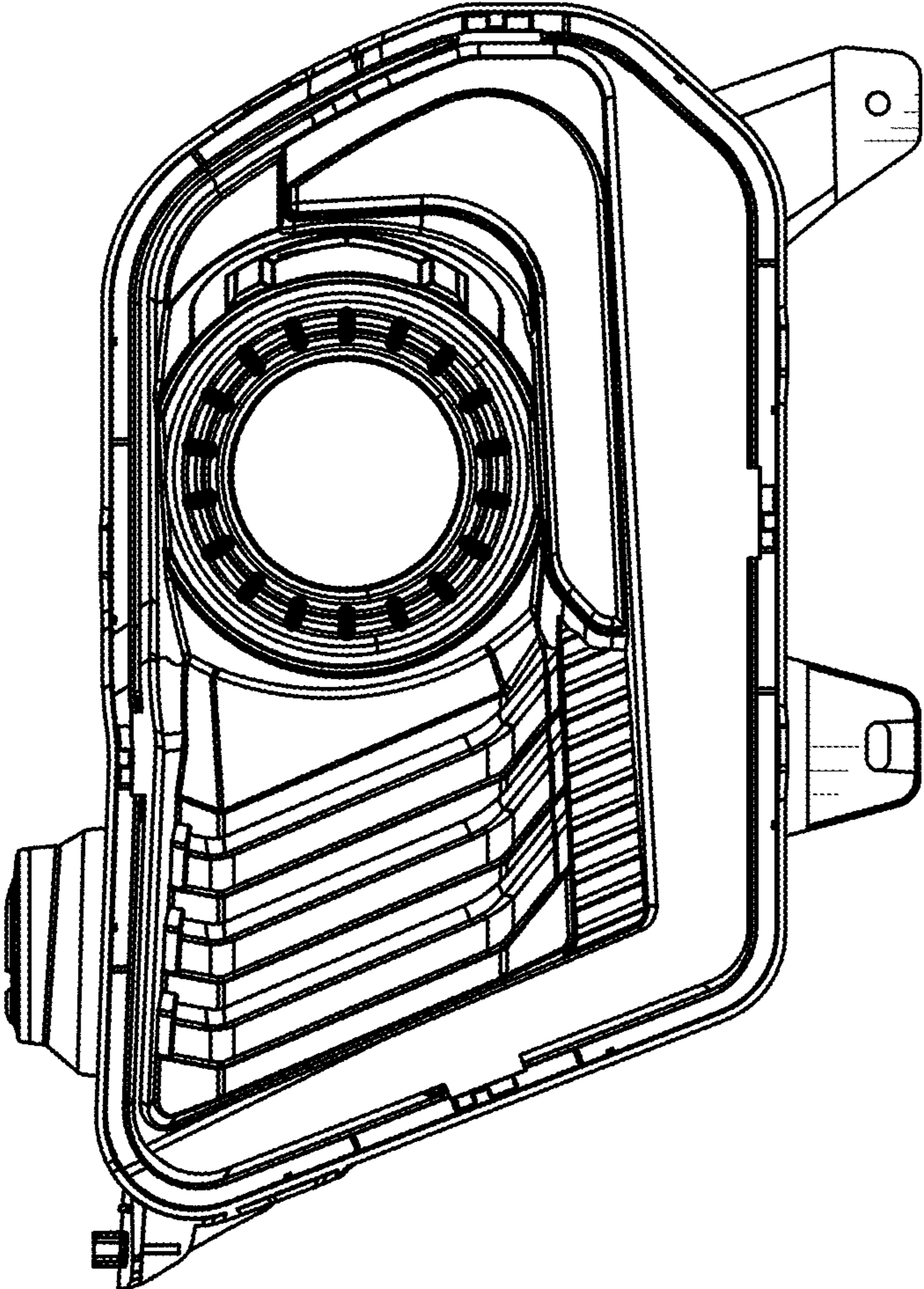


FIG. 7