



US00D877373S

(12) **United States Design Patent**  
**Toriyama**

(10) **Patent No.:** **US D877,373 S**

(45) **Date of Patent:** **\*\* Mar. 3, 2020**

(54) **TAIL LIGHT**

(71) Applicant: **HONDA MOTOR CO., LTD.**, Tokyo  
(JP)

(72) Inventor: **Daisuke Toriyama**, Rancho Palos  
Verdes, CA (US)

(73) Assignee: **HONDA MOTOR CO., LTD.**, Tokyo  
(JP)

(\*\*) Term: **15 Years**

(21) Appl. No.: **29/668,212**

(22) Filed: **Oct. 29, 2018**

(51) **LOC (12) Cl.** ..... **26-06**

(52) **U.S. Cl.**

USPC ..... **D26/28**

(58) **Field of Classification Search**

USPC ..... D26/28-36, 139

CPC ..... F21S 48/00; F21S 48/10; F21S 48/115;

F21S 48/225; F21S 48/1233; F21S

48/1266; F21S 48/1388; F21S 48/2268;

F21V 13/00; F21V 21/04; F21V 29/004

See application file for complete search history.

(56) **References Cited**

**U.S. PATENT DOCUMENTS**

D529,208 S \* 9/2006 Ikeda ..... D26/28

D536,113 S \* 1/2007 Pfeiffer ..... D26/28

D537,180 S \* 2/2007 Hsu ..... D26/28

D558,906 S \* 1/2008 Golden ..... D26/28

D605,792 S \* 12/2009 Weil ..... D26/28

D676,168 S \* 2/2013 Lai ..... D26/28

D777,956 S \* 1/2017 Schell ..... D26/28

D819,854 S \* 6/2018 Lai ..... D26/28

\* cited by examiner

*Primary Examiner* — Marcus A Jackson

(74) *Attorney, Agent, or Firm* — Arent Fox LLP

(57) **CLAIM**

The ornamental design for a tail light, as shown and described.

**DESCRIPTION**

FIG. 1 is a top front right perspective view of a tail light showing my new design;

FIG. 2 is a top front left perspective view of the design shown in FIG. 1;

FIG. 3 is a top rear left perspective view of the design shown in FIG. 1;

FIG. 4 is a top rear right perspective view of the design shown in FIG. 1;

FIG. 5 is a front view of the design shown in FIG. 1;

FIG. 6 is a rear view of the design shown in FIG. 1;

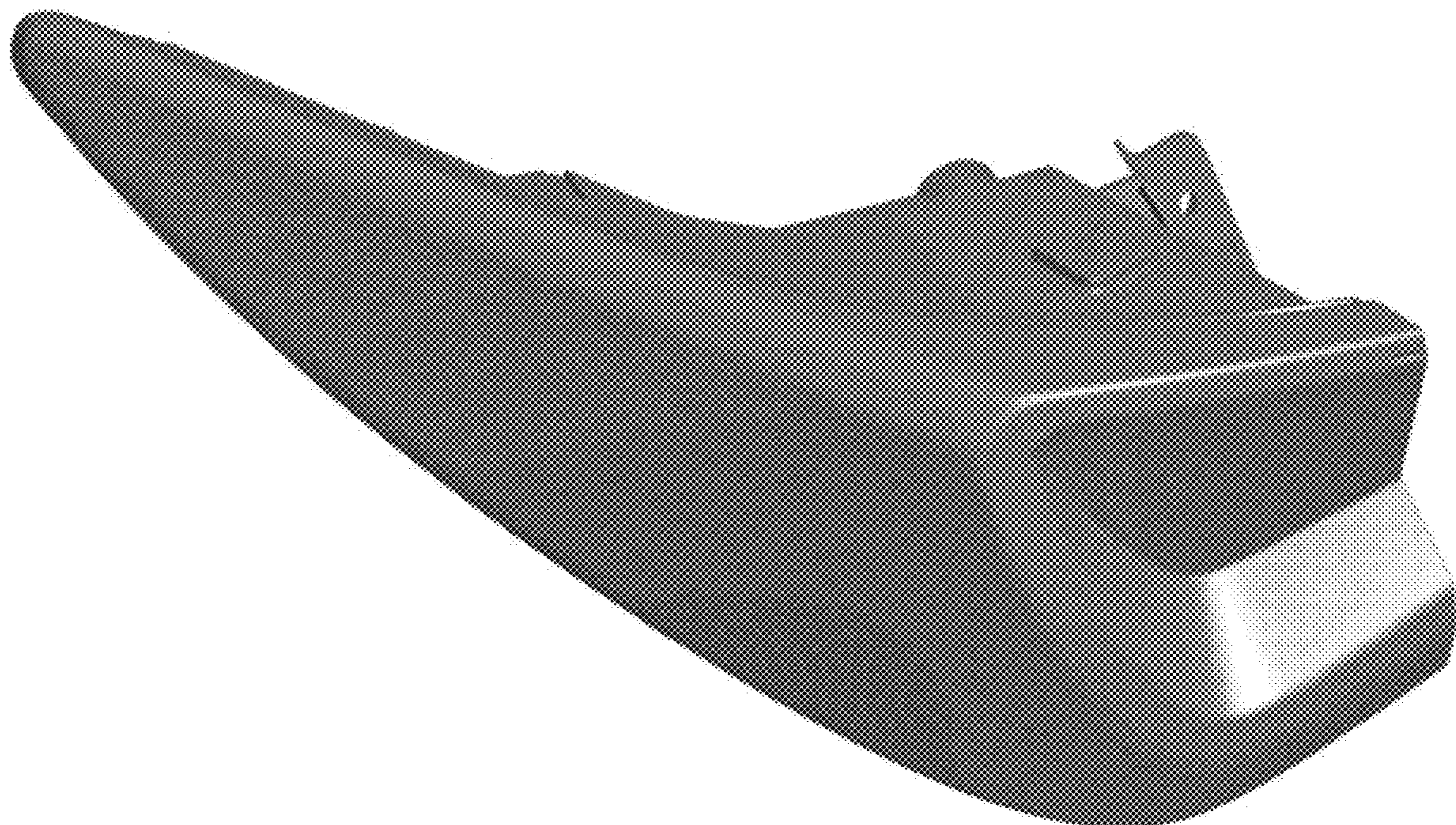
FIG. 7 is a left side view of the design shown in FIG. 1;

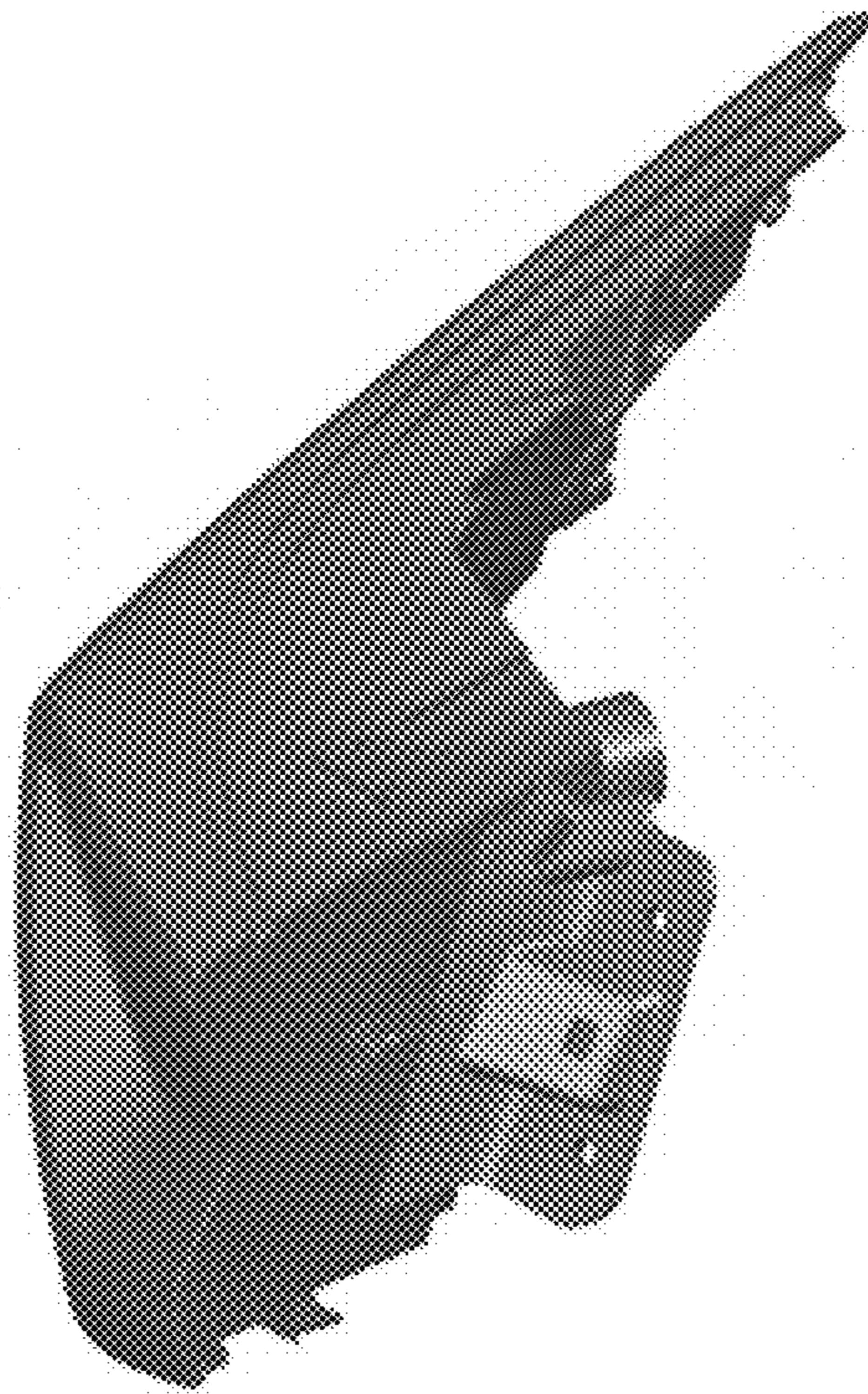
FIG. 8 is a right side view of the design shown in FIG. 1;

FIG. 9 is a top view of the design shown in FIG. 1; and,

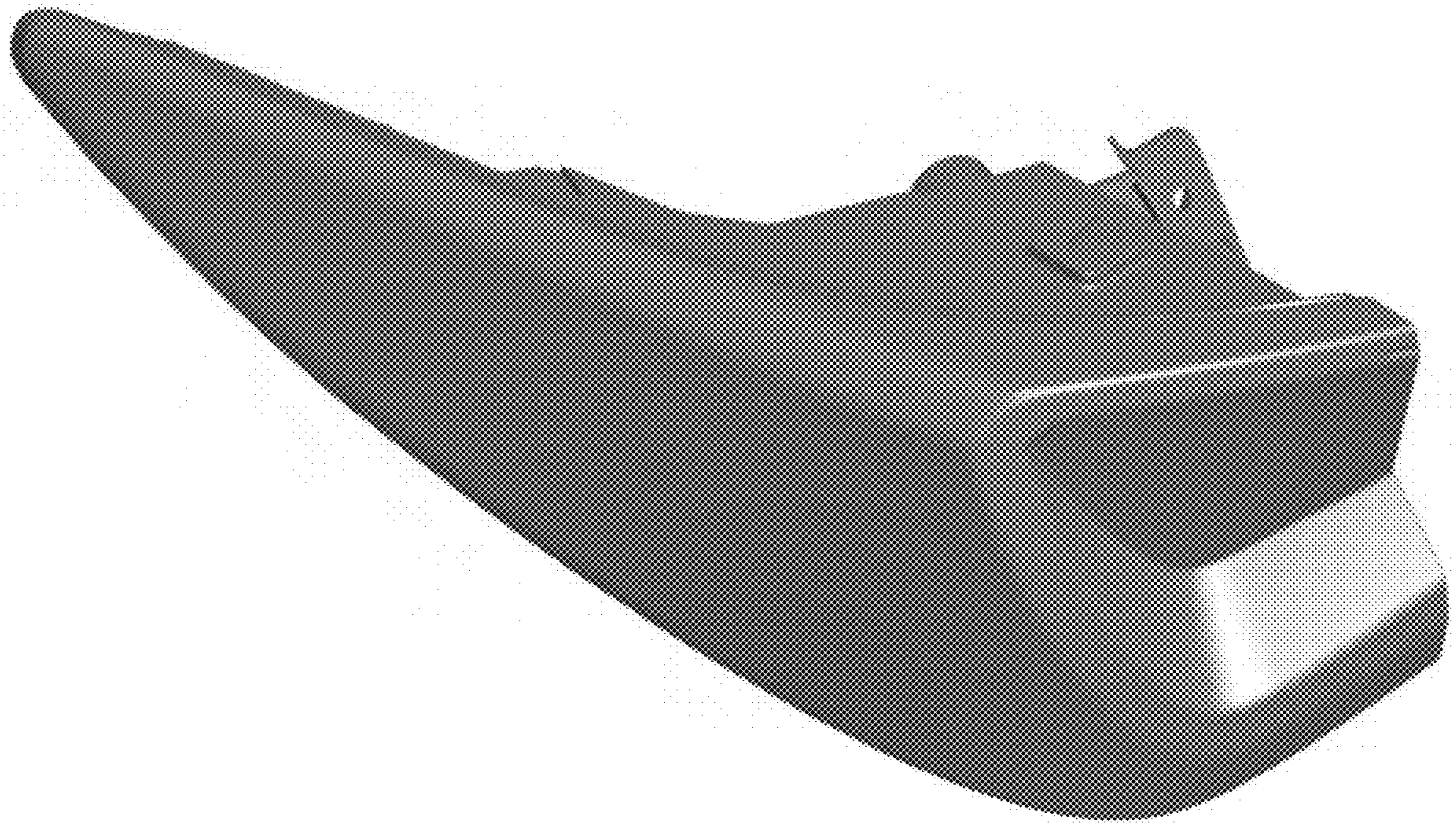
FIG. 10 is a bottom view of the design shown in FIG. 1.

**1 Claim, 10 Drawing Sheets**

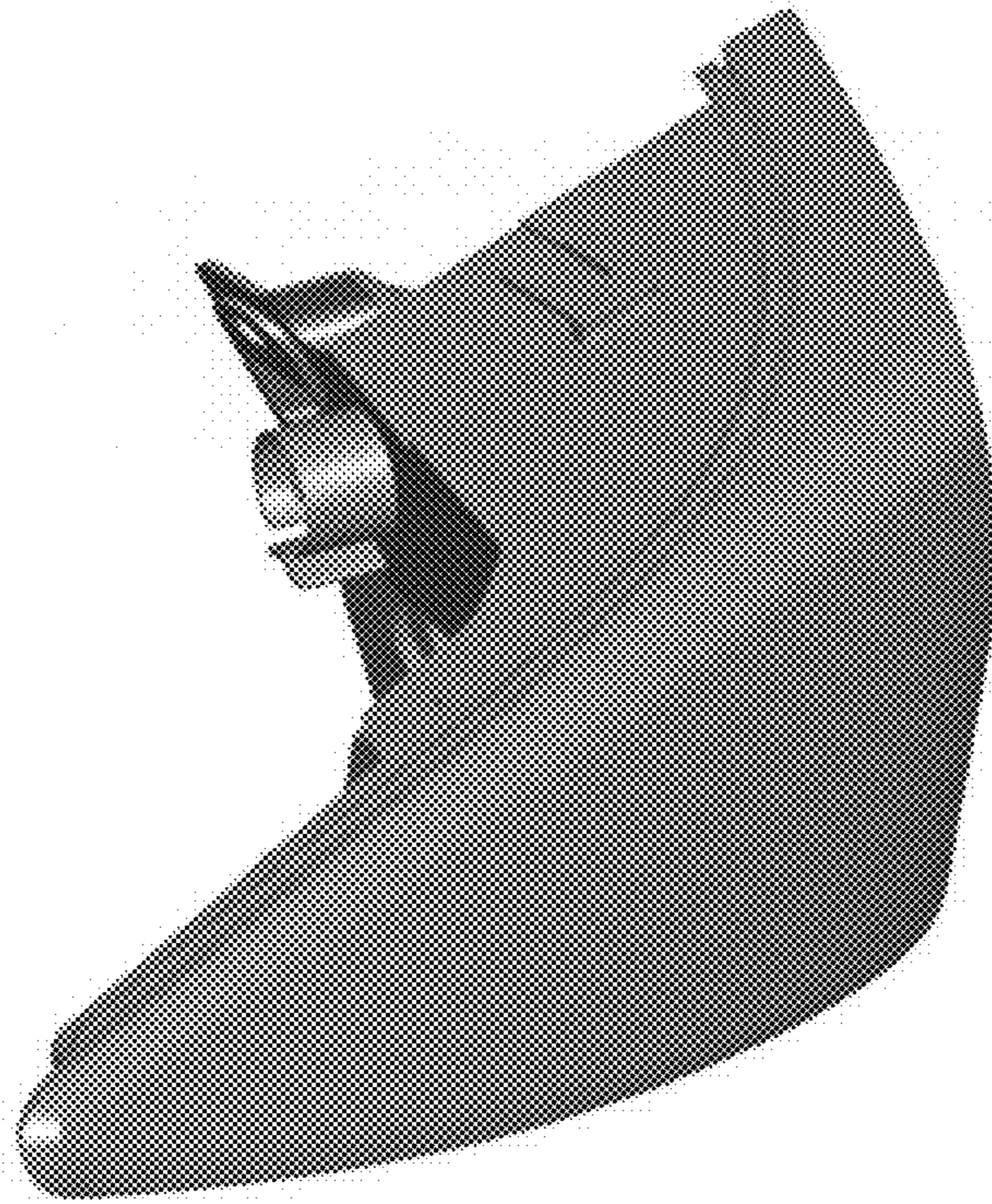




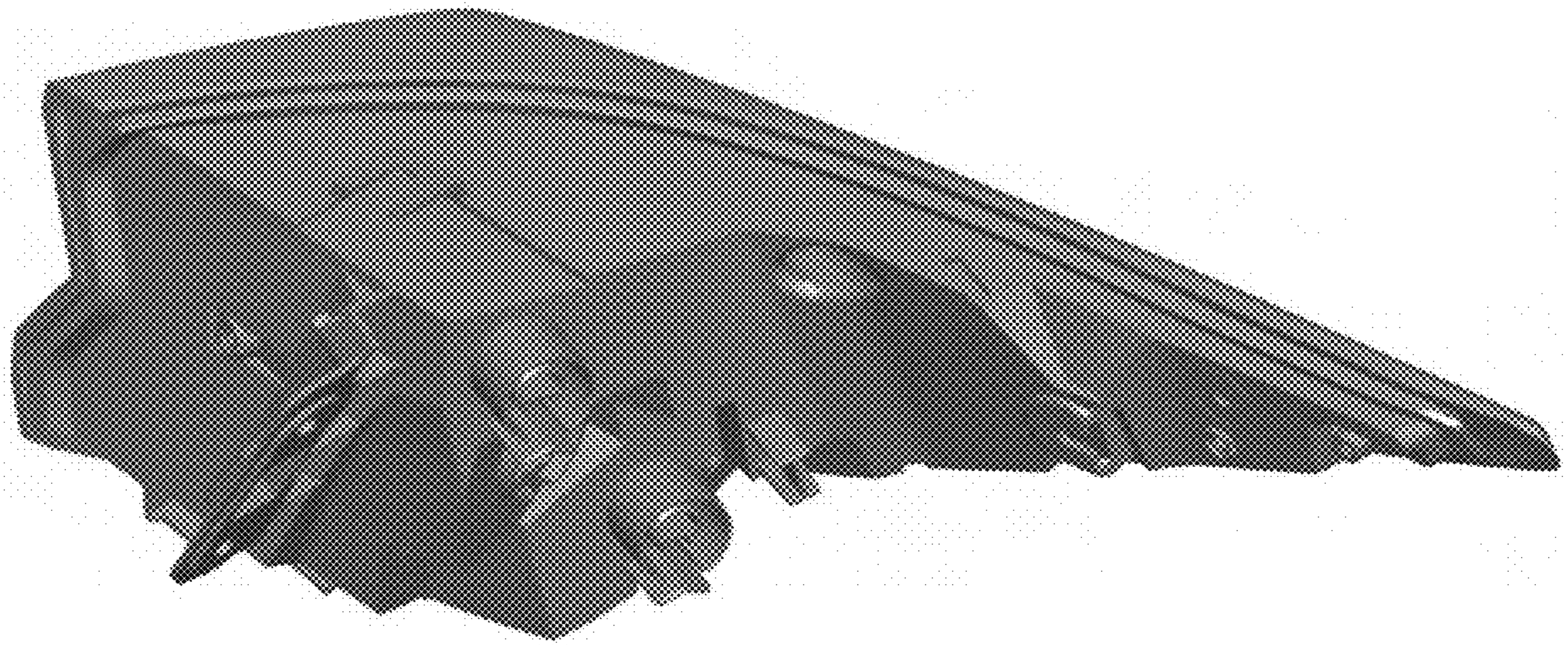
**FIG. 1**



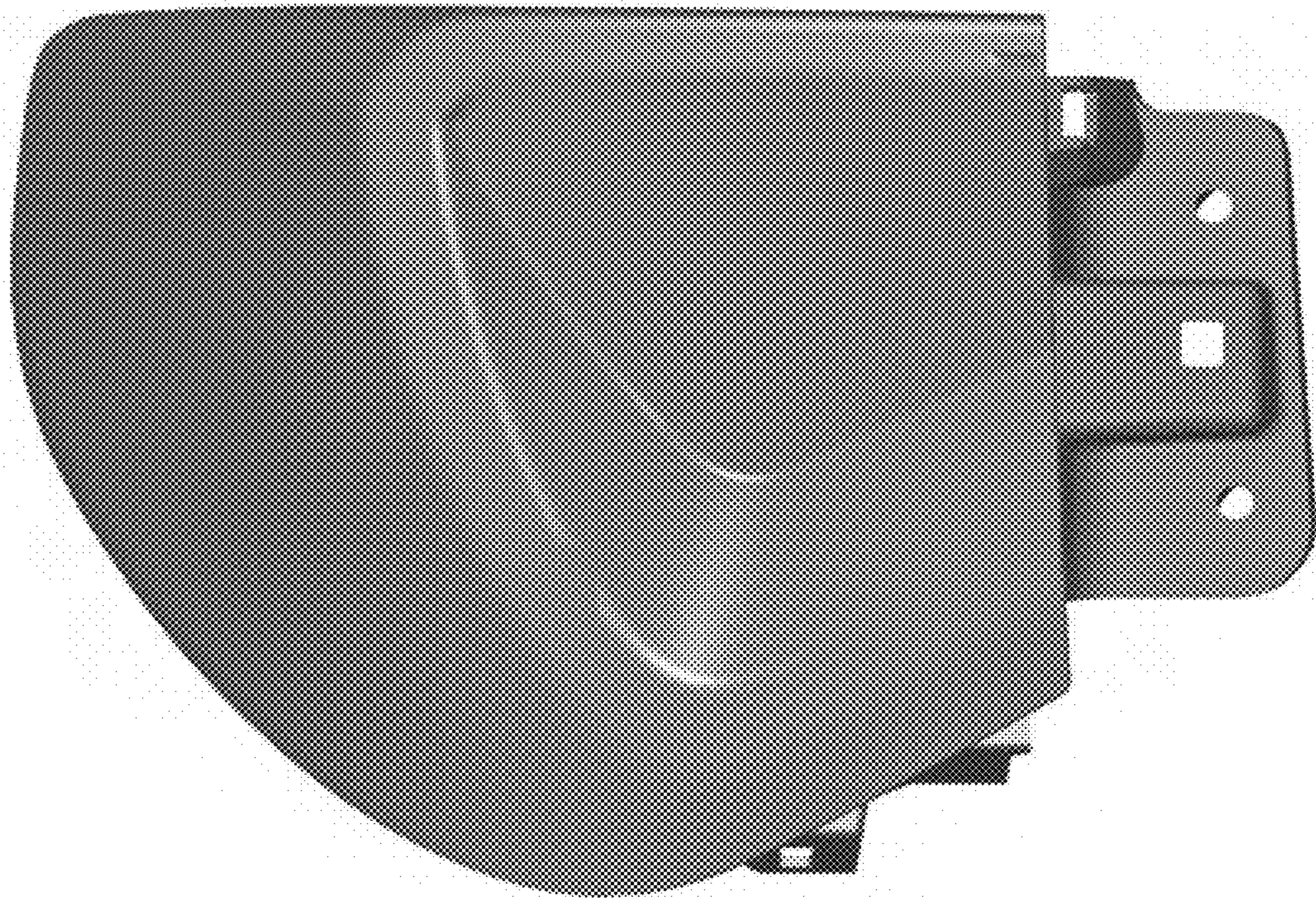
**FIG. 2**



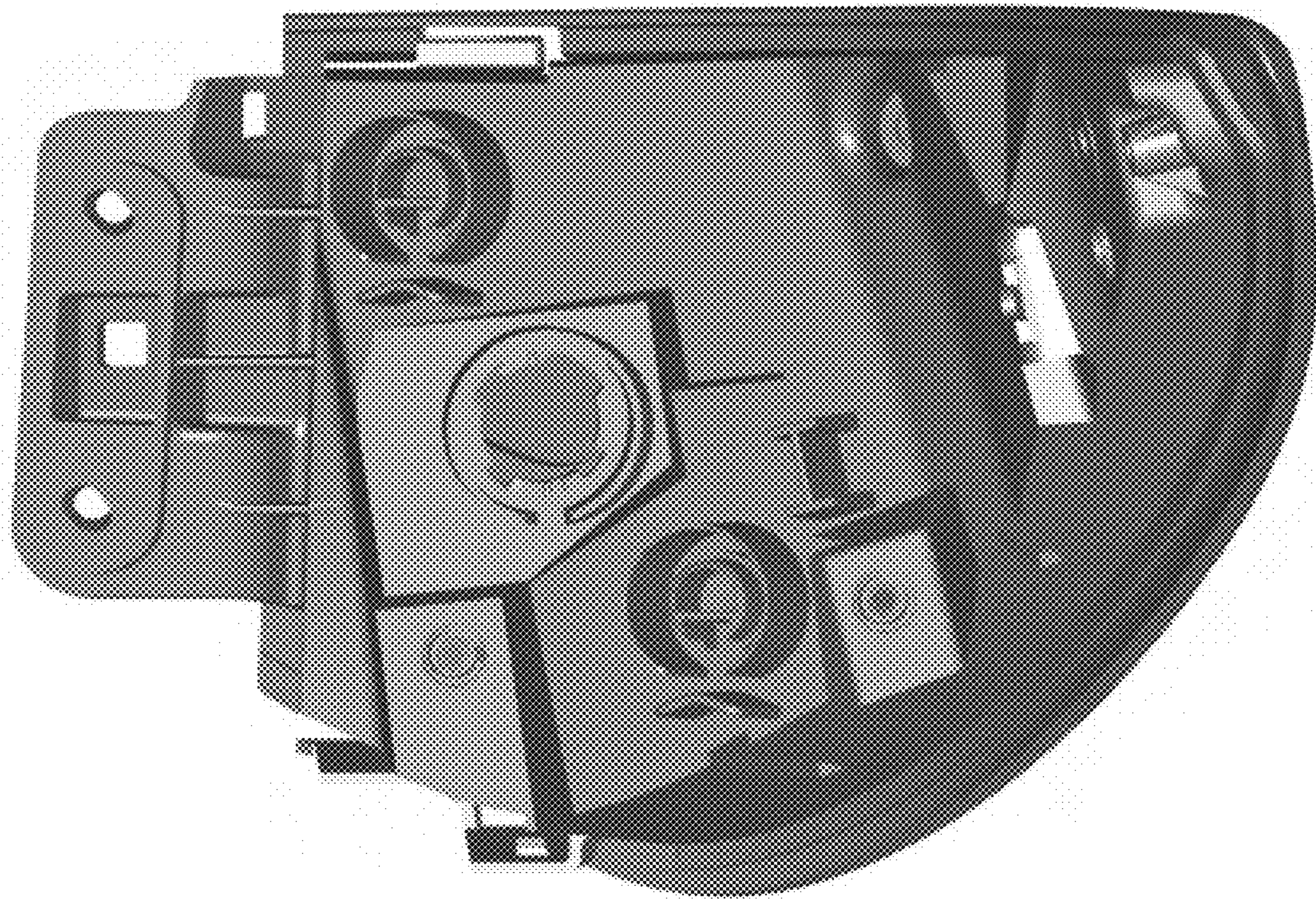
**FIG. 3**



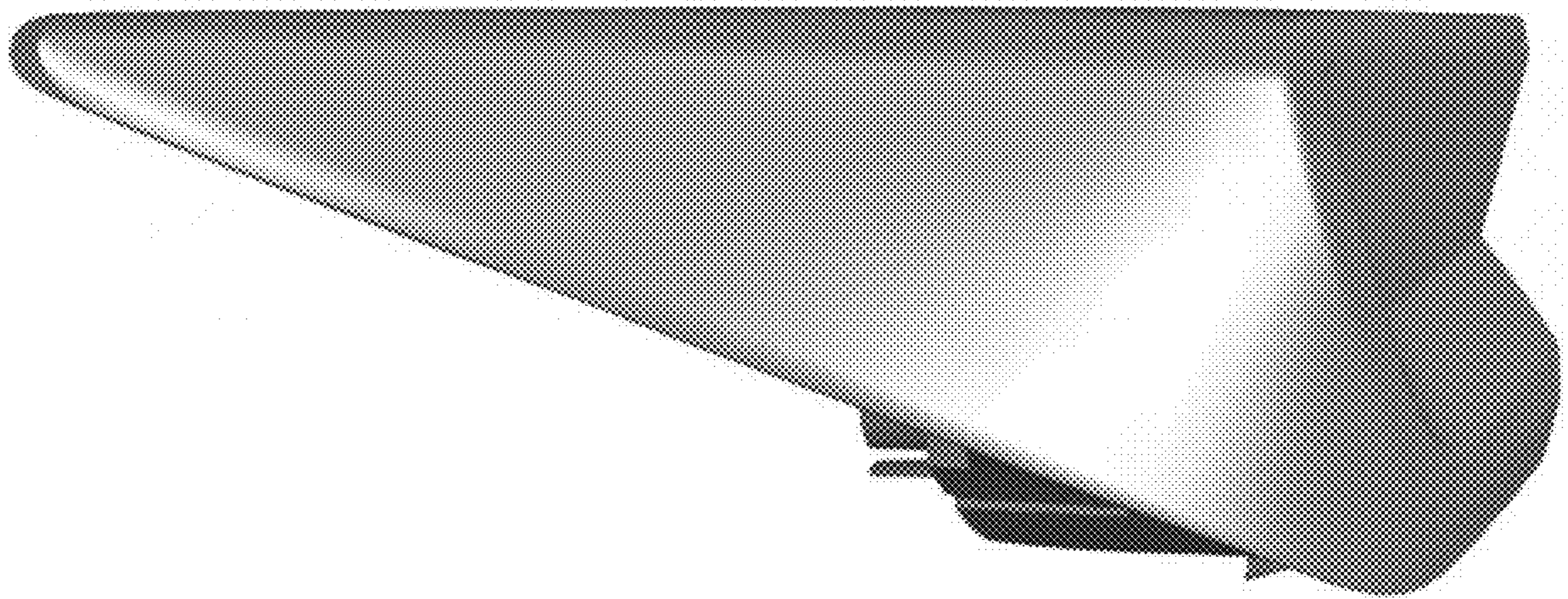
**FIG. 4**



**FIG. 5**

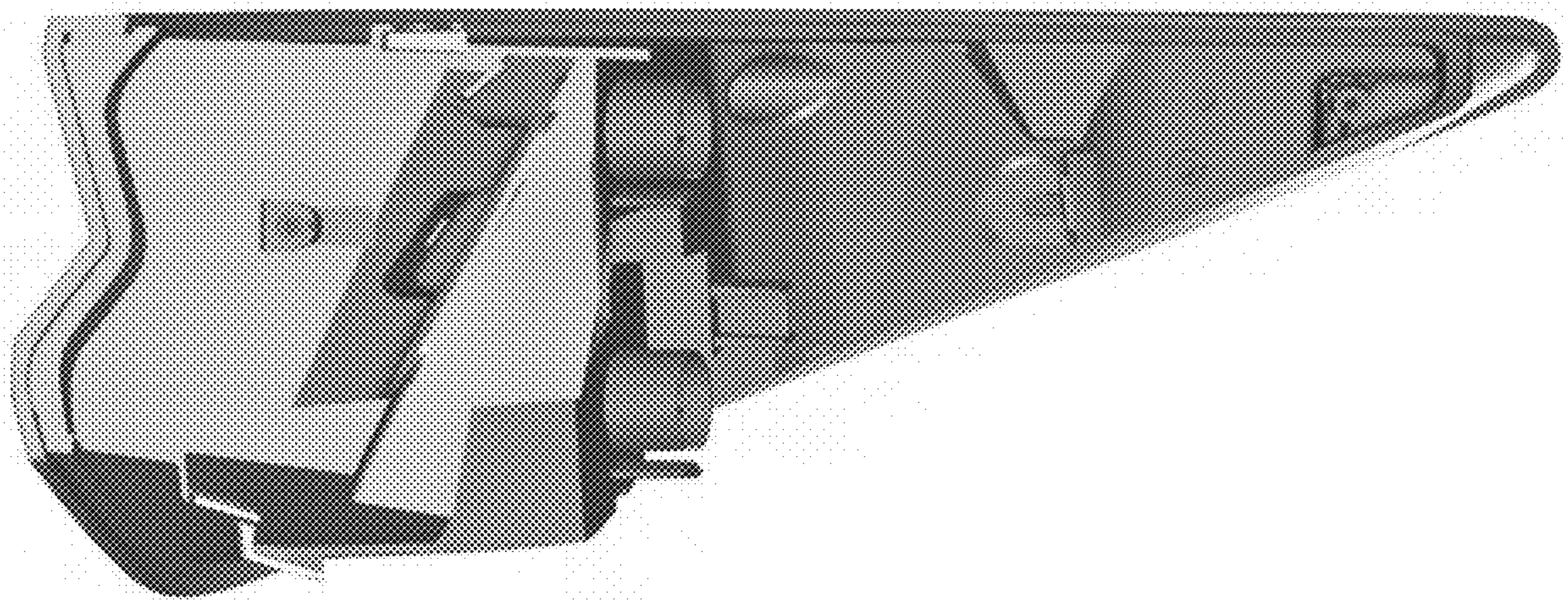


**FIG. 6**

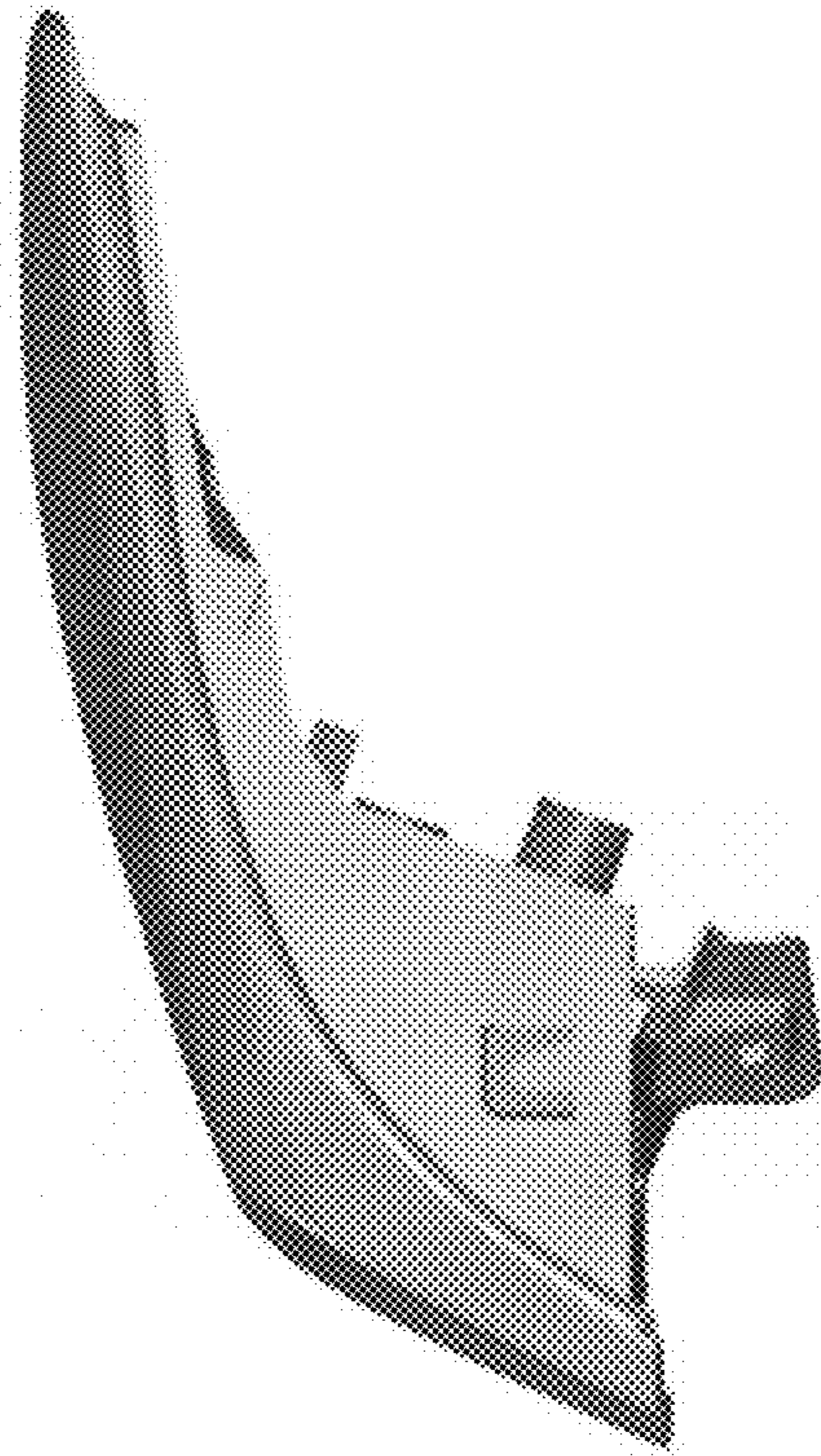


**FIG. 7**

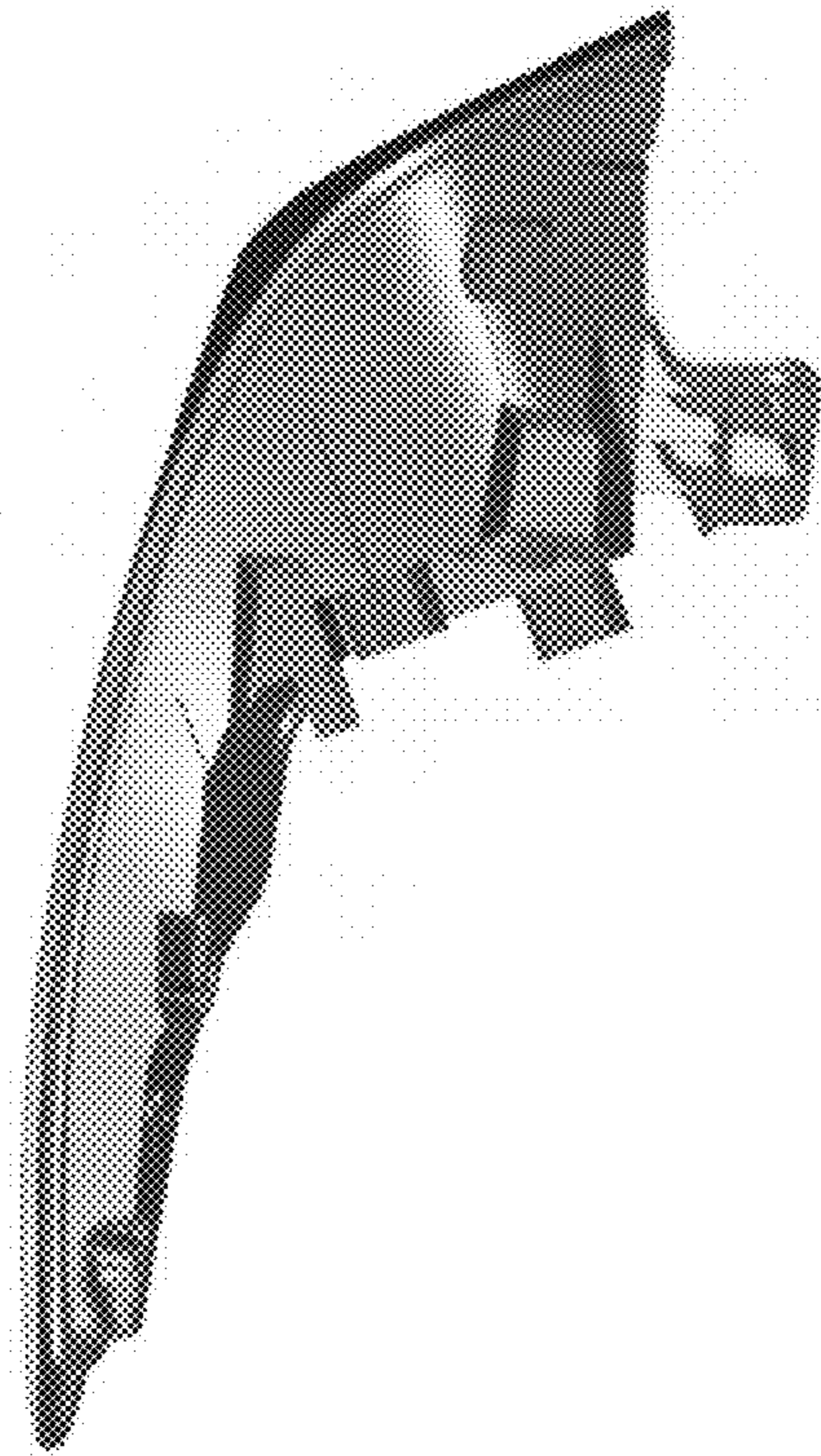




**FIG. 8**



**FIG. 9**



**FIG. 10**