



US00D877371S

(12) **United States Design Patent**
Churchill

(10) **Patent No.:** **US D877,371 S**

(45) **Date of Patent:** **** Mar. 3, 2020**

(54) **AUTOMOBILE HEADLAMP**

D569,015 S * 5/2008 Tsukui D26/28
D573,734 S * 7/2008 Watanabe D26/28
D603,076 S * 10/2009 Hung D26/28

(71) Applicant: **Chongqing Jinkang New Energy Automobile Co., Ltd.**, Chongqing (CN)

* cited by examiner

(72) Inventor: **Michael John Evans Churchill**, Santa Clara, CA (US)

Primary Examiner — Marcus A Jackson

(74) *Attorney, Agent, or Firm* — Kilpatrick Townsend & Stockton, LLP

(**) Term: **15 Years**

(21) Appl. No.: **29/664,547**

(57) **CLAIM**

The ornamental design of an automobile headlamp, as shown and described.

(22) Filed: **Sep. 26, 2018**

(51) **LOC (12) Cl.** **26-06**

(52) **U.S. Cl.**
USPC **D26/28**

DESCRIPTION

(58) **Field of Classification Search**
USPC D26/28-36, 139
CPC F21S 48/00; F21S 48/10; F21S 48/115;
F21S 48/225; F21S 48/1233; F21S
48/1266; F21S 48/1388; F21S 48/2268;
F21V 21/04; B60Q 9/13; B60Q 9/135;
B60Q 9/1375

FIG. 1 is a perspective view of an automobile headlamp, showing our new design;
FIG. 2 is a top plan view thereof;
FIG. 3 is a bottom plan view thereof;
FIG. 4 is a front elevation view thereof;
FIG. 5 is a rear elevation view thereof;
FIG. 6 is a left side elevation view thereof; and,
FIG. 7 is a right side elevation view thereof.

See application file for complete search history.

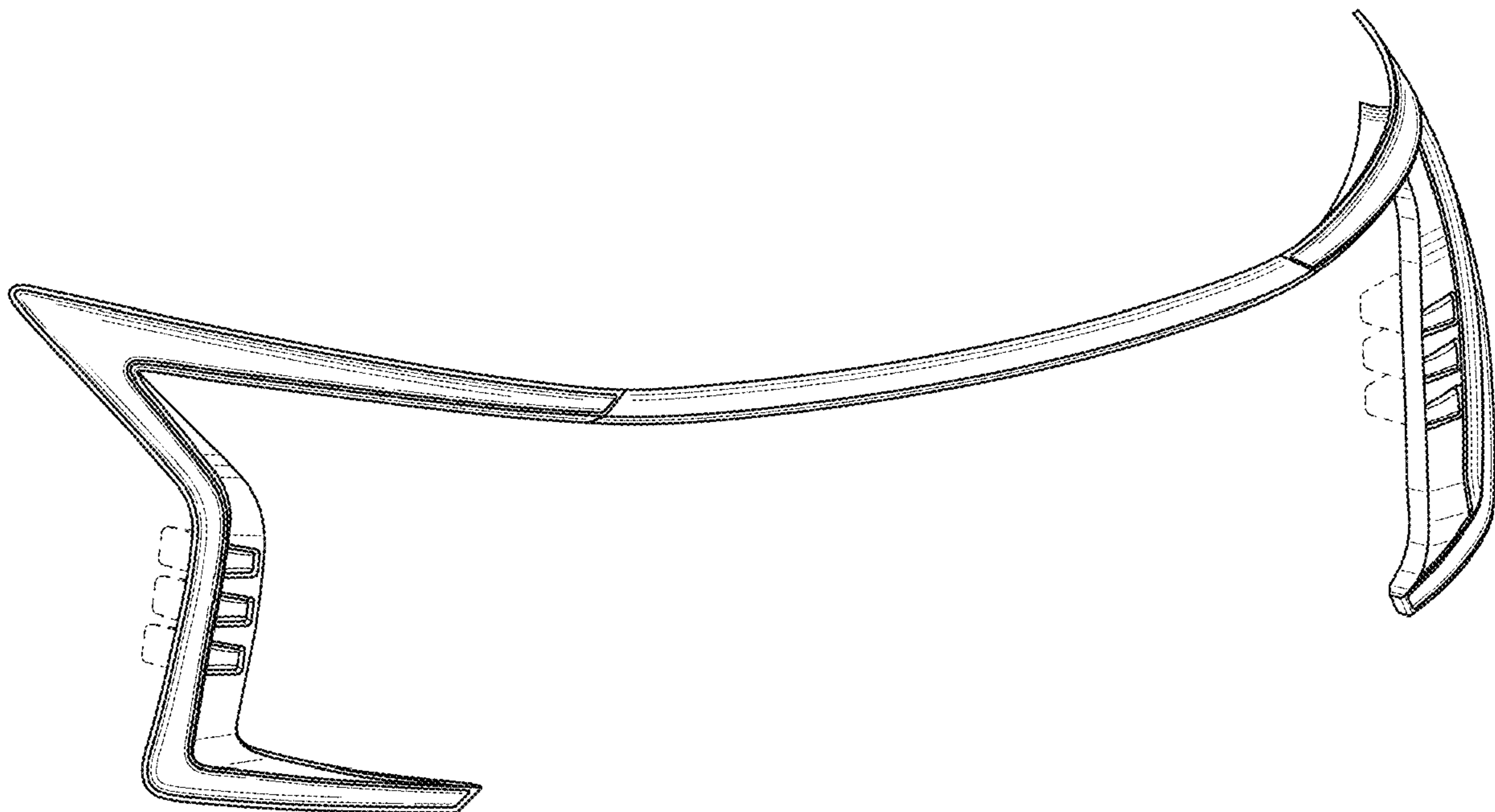
The broken lines immediately adjacent any shaded areas represent the bounds of the claimed design while all other broken lines are directed to environment and are for illustrative purposes only. The broken lines form no part of the claimed design.

(56) **References Cited**

U.S. PATENT DOCUMENTS

D552,274 S * 10/2007 Tanaka D26/28
D568,501 S * 5/2008 Nakazawa D26/28

1 Claim, 5 Drawing Sheets



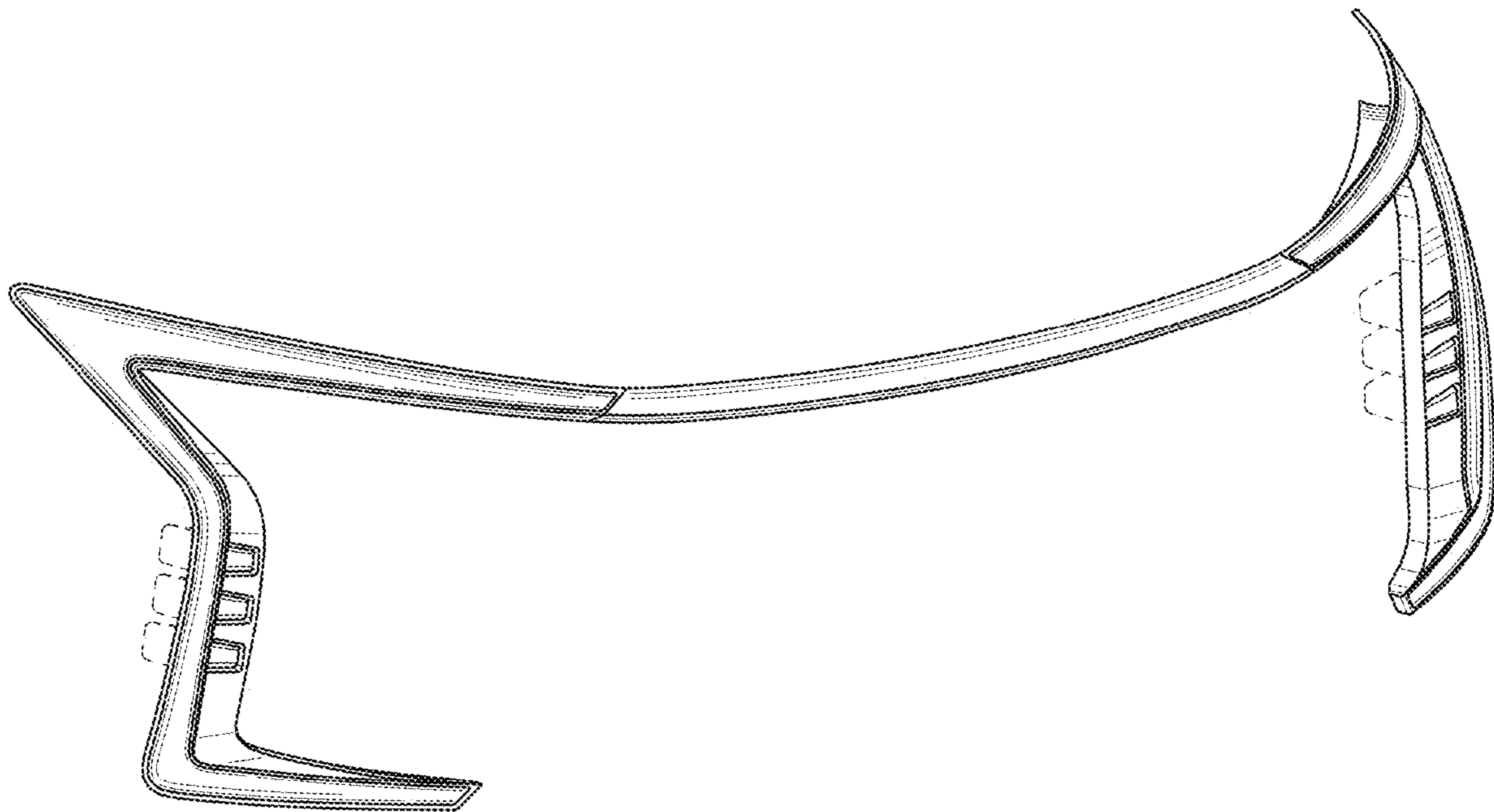


FIG. 1

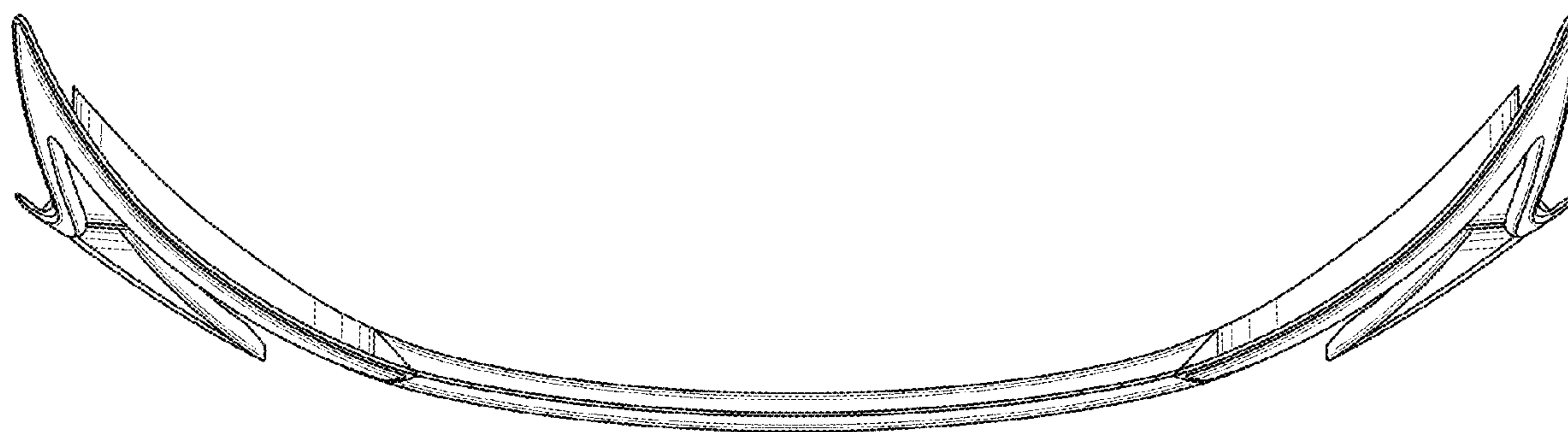


FIG. 2

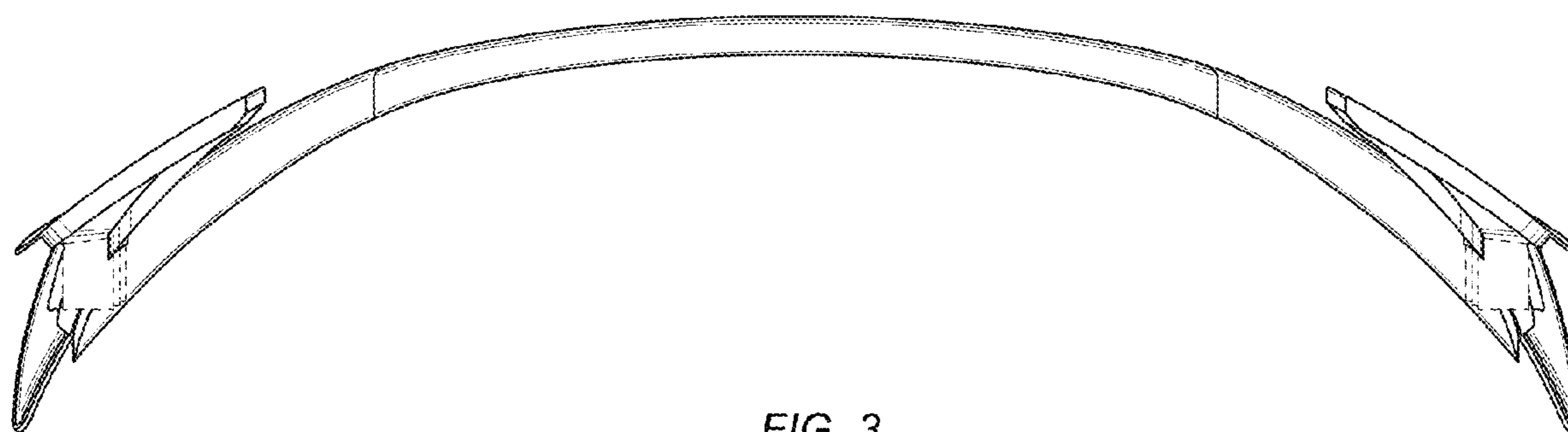


FIG. 3

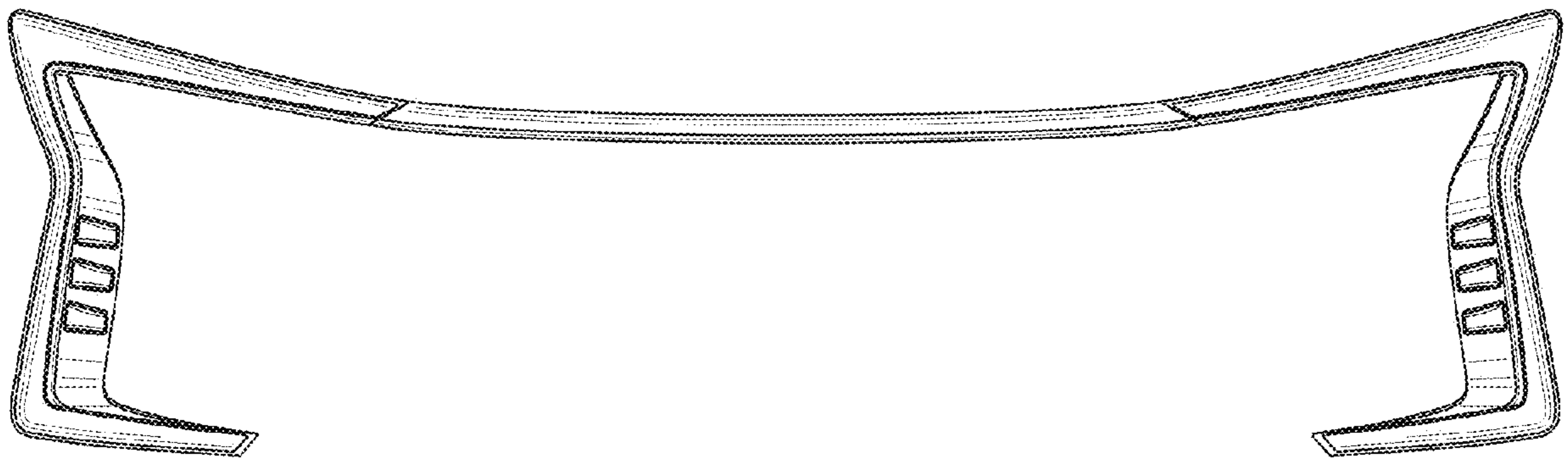


FIG. 4

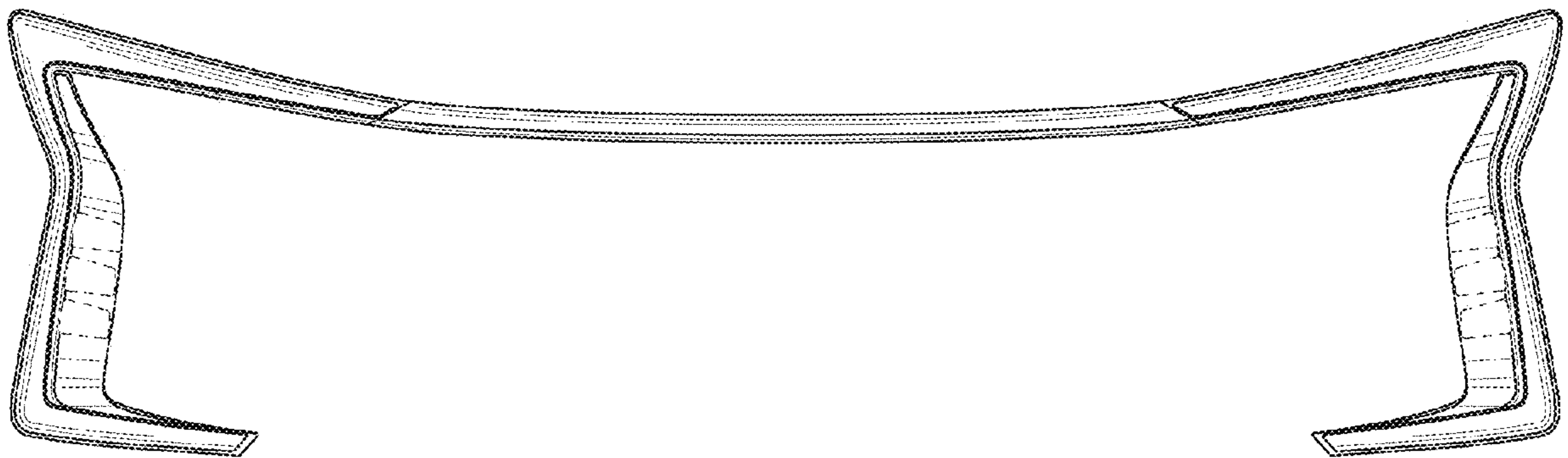


FIG. 5

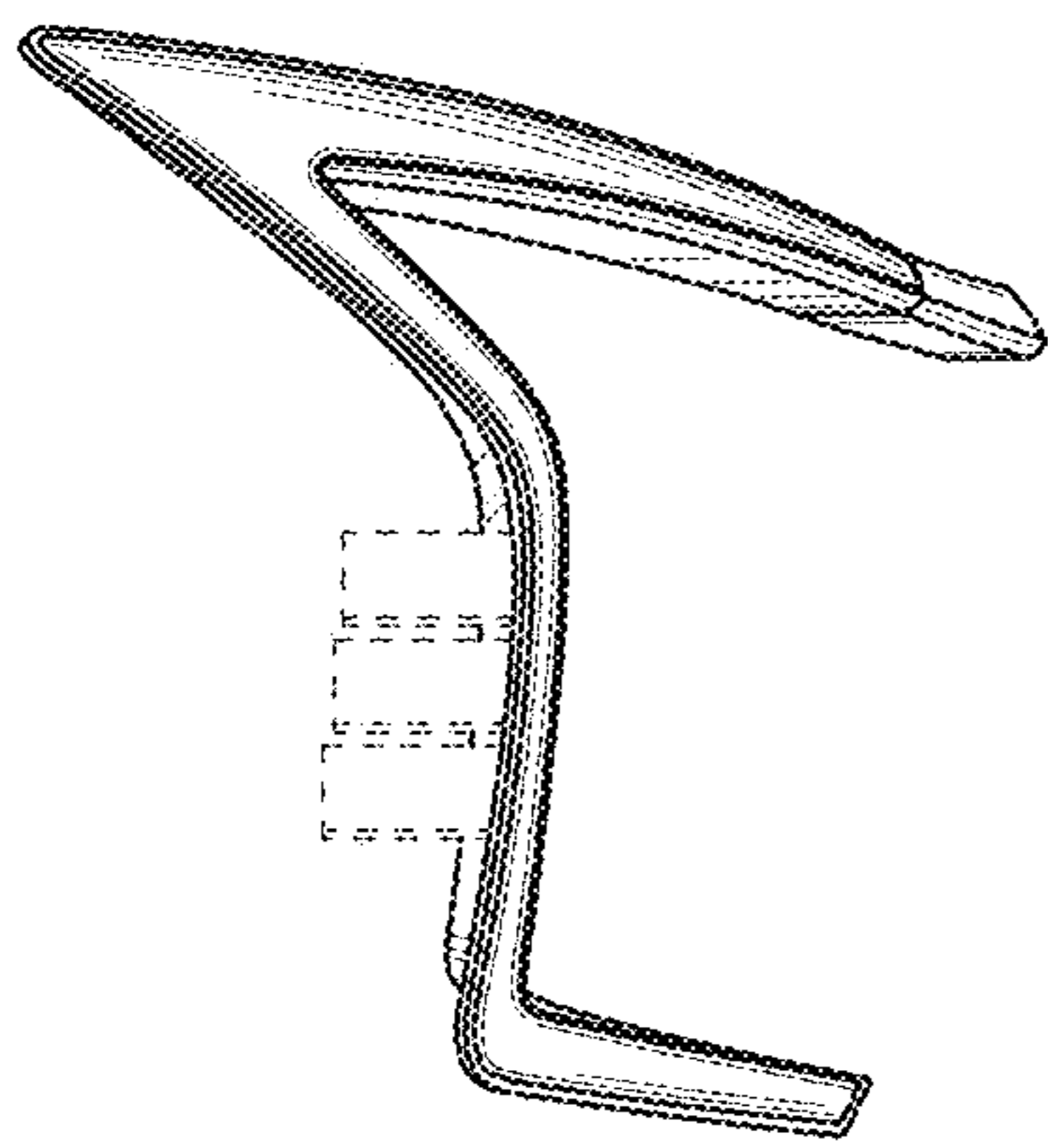


FIG. 6

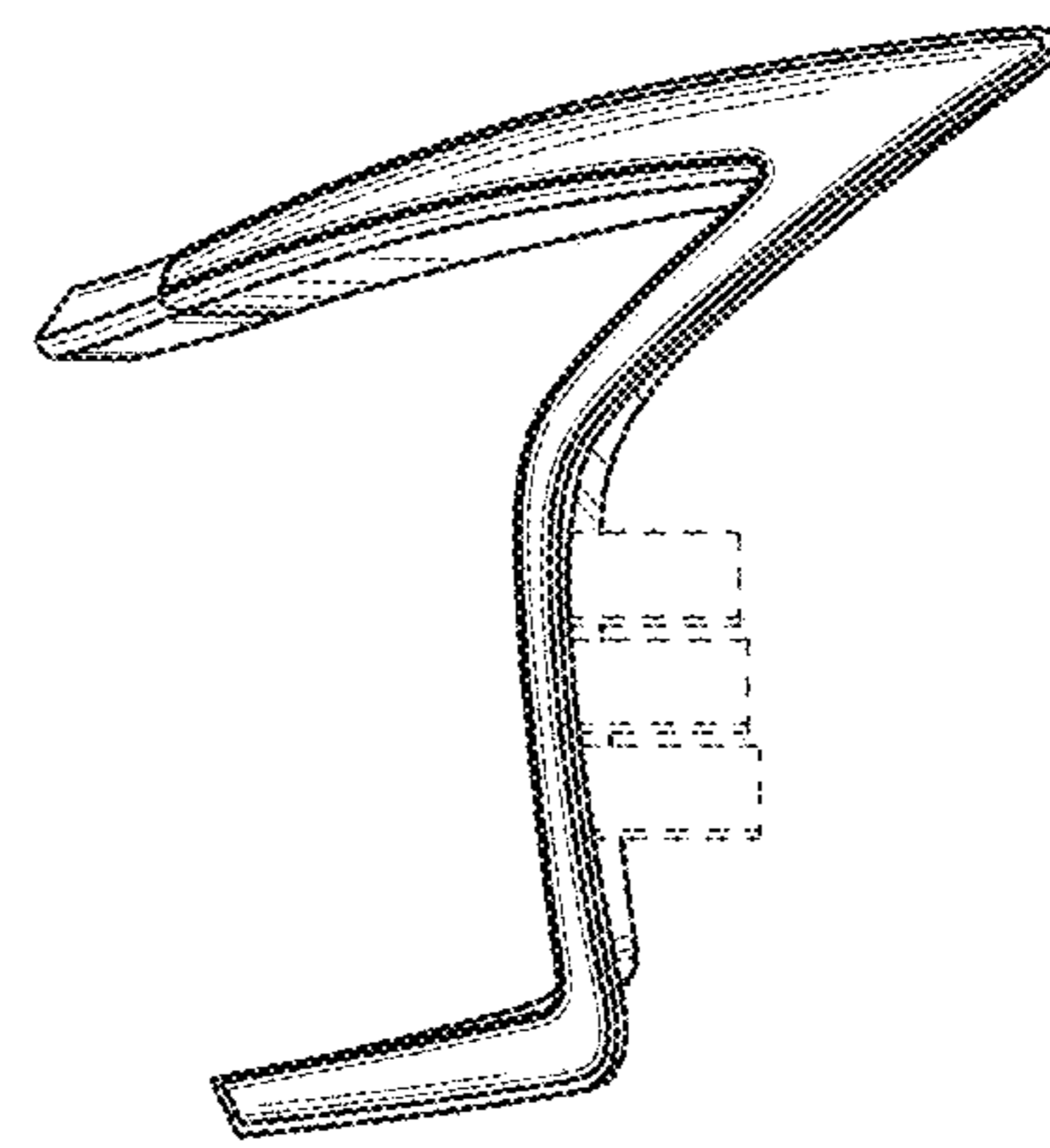


FIG. 7