



US00D877370S

(12) **United States Design Patent**
Smock et al.

(10) **Patent No.:** **US D877,370 S**
(45) **Date of Patent:** **** Mar. 3, 2020**

(54) **TAIL LIGHT**

(71) Applicant: **HONDA MOTOR CO., LTD.**, Tokyo
(JP)

(72) Inventors: **Randall Smock**, Redondo Beach, CA
(US); **Matthew P. Mantz**, Lake Forest,
CA (US)

(73) Assignee: **HONDA MOTOR CO., LTD.**, Tokyo
(JP)

(**) Term: **15 Years**

(21) Appl. No.: **29/633,252**

(22) Filed: **Jan. 12, 2018**

(51) **LOC (12) Cl.** **26-06**

(52) **U.S. Cl.**
USPC **D26/28**

(58) **Field of Classification Search**
USPC D26/28-36, 139
CPC F21S 48/00; F21S 48/10; F21S 48/115;
F21S 48/225; F21S 48/1233; F21S
48/1266; F21S 48/1388; F21S 48/2268;
F21V 21/04; B60Q 9/13; B60Q 9/135;
B60Q 9/1375

See application file for complete search history.

(56) **References Cited**

U.S. PATENT DOCUMENTS

D657,482 S * 4/2012 Kong D26/28
D714,986 S * 10/2014 Moon D26/28

D755,423 S * 5/2016 Kong D26/28
D756,003 S * 5/2016 Kong D26/28
D780,352 S * 2/2017 Ha D26/28
D814,081 S * 3/2018 Ha D26/28
D815,767 S * 4/2018 Park D26/28

* cited by examiner

Primary Examiner — Marcus A Jackson

(74) *Attorney, Agent, or Firm* — Arent Fox LLP

(57) **CLAIM**

The ornamental design for a tail light, as shown and described.

DESCRIPTION

FIG. 1 is a top front perspective view of a tail light showing our new design;

FIG. 2 is a top right perspective view of the design shown in FIG. 1;

FIG. 3 is a top left perspective view of the design shown in FIG. 1;

FIG. 4 is a top rear perspective view of the design shown in FIG. 1;

FIG. 5 is a front view of the design shown in FIG. 1;

FIG. 6 is a rear view of the design shown in FIG. 1;

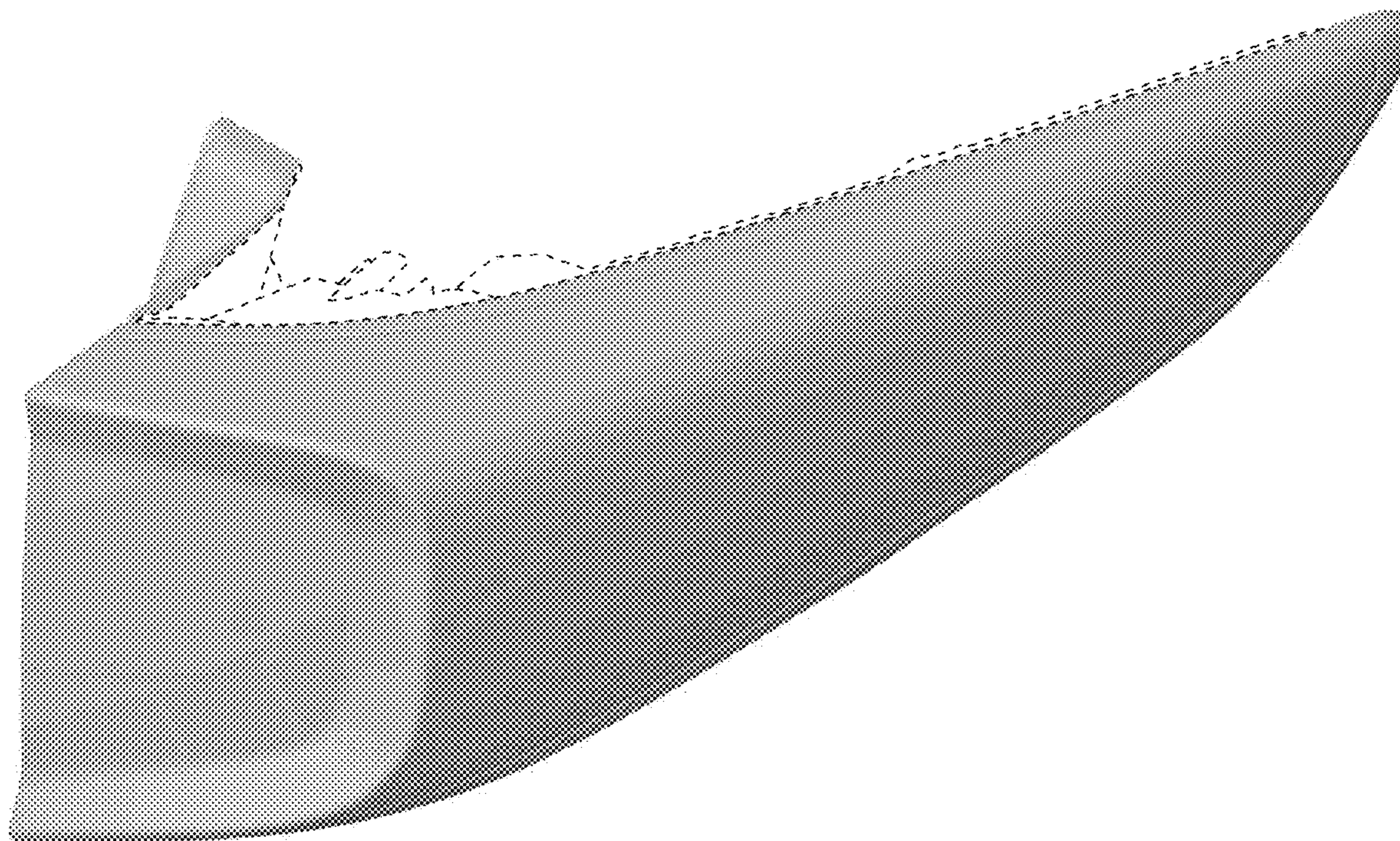
FIG. 7 is a left side view of the design shown in FIG. 1;

FIG. 8 is a right side view of the design shown in FIG. 1;

FIG. 9 is a top view of the design shown in FIG. 1; and,

FIG. 10 is a bottom view of the design shown in FIG. 1. The broken lines shown in the figures are included for the purpose of illustrating portions of the tail light and form no part of the claimed design.

1 Claim, 10 Drawing Sheets



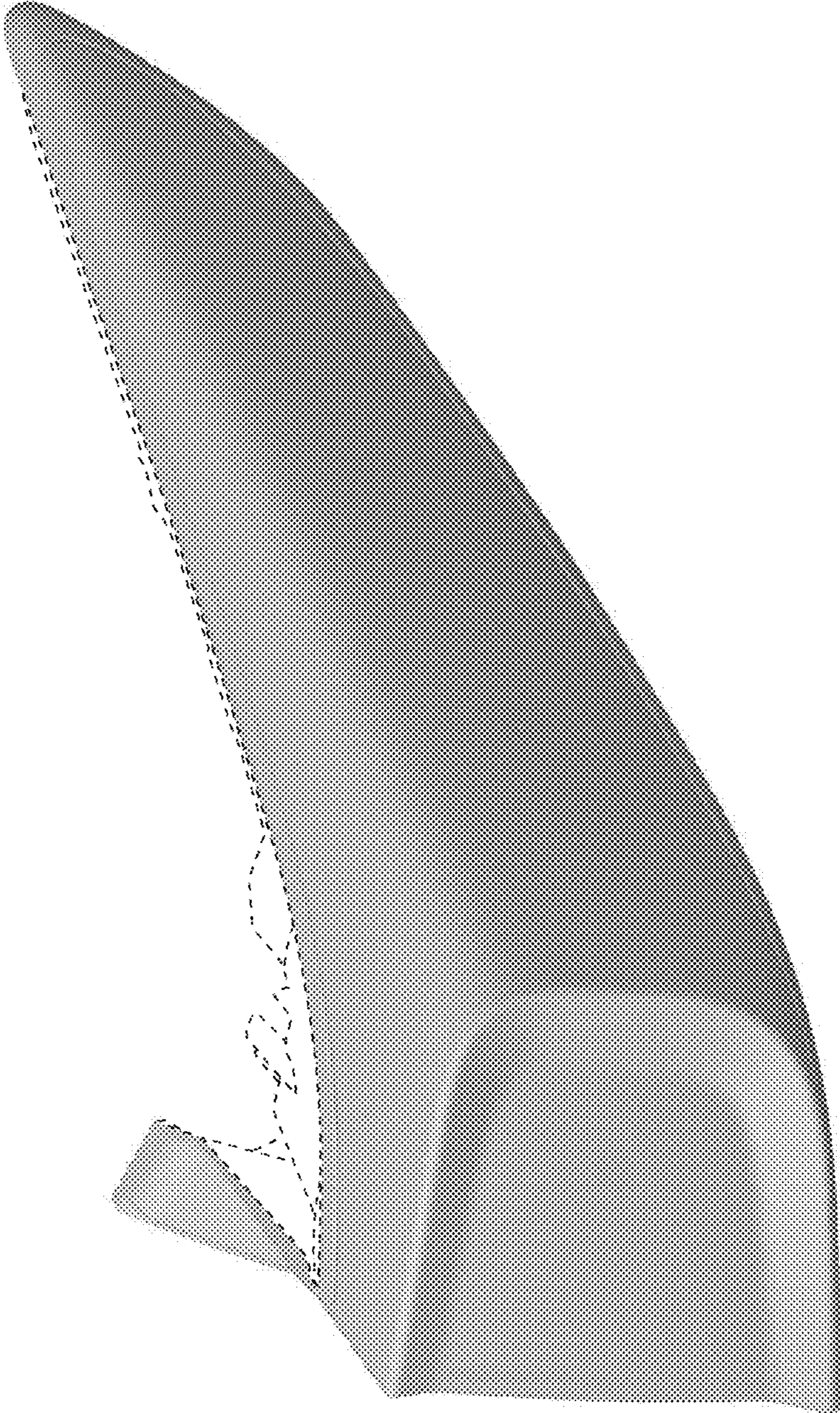


FIG. 1

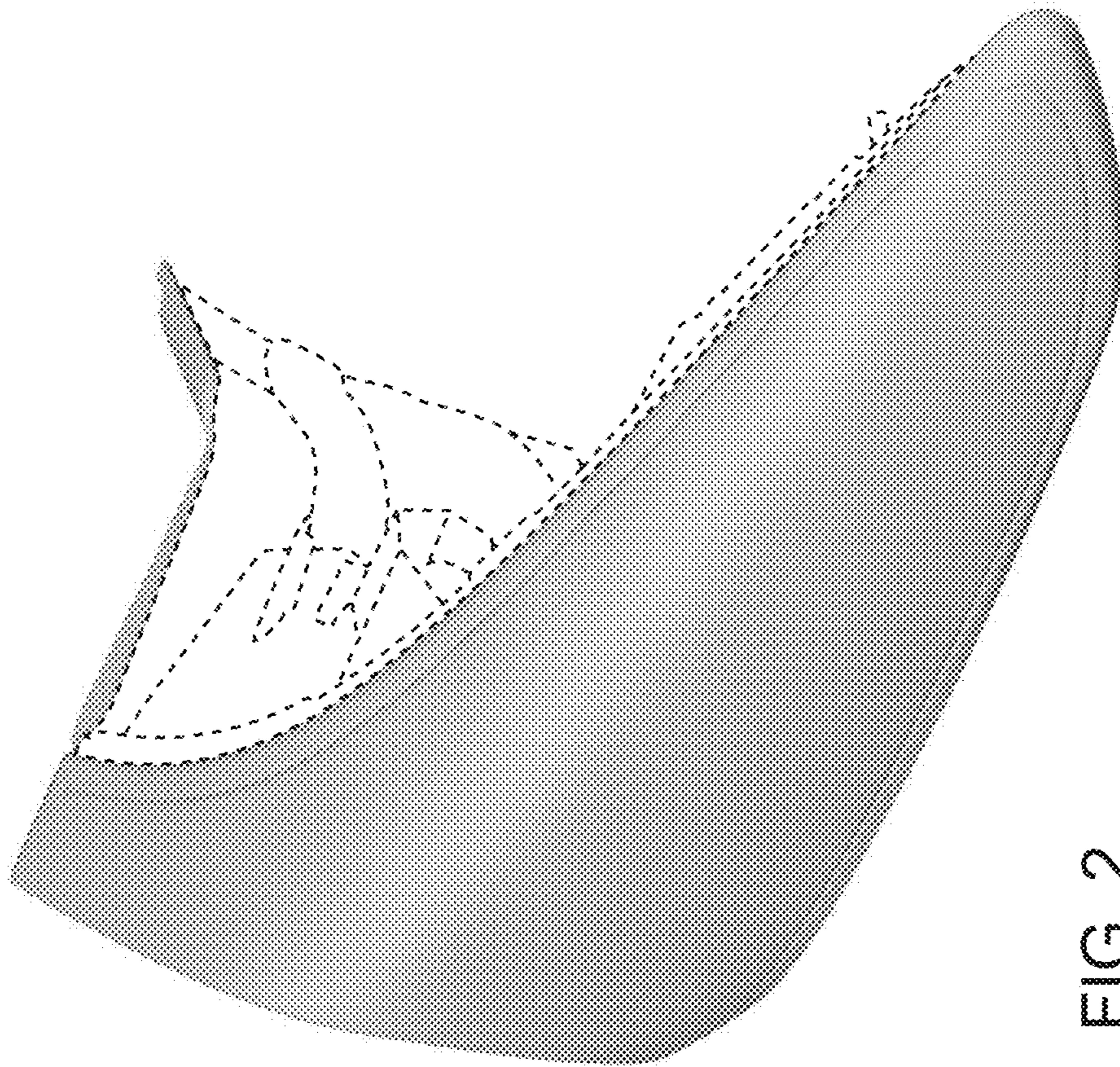


FIG. 2

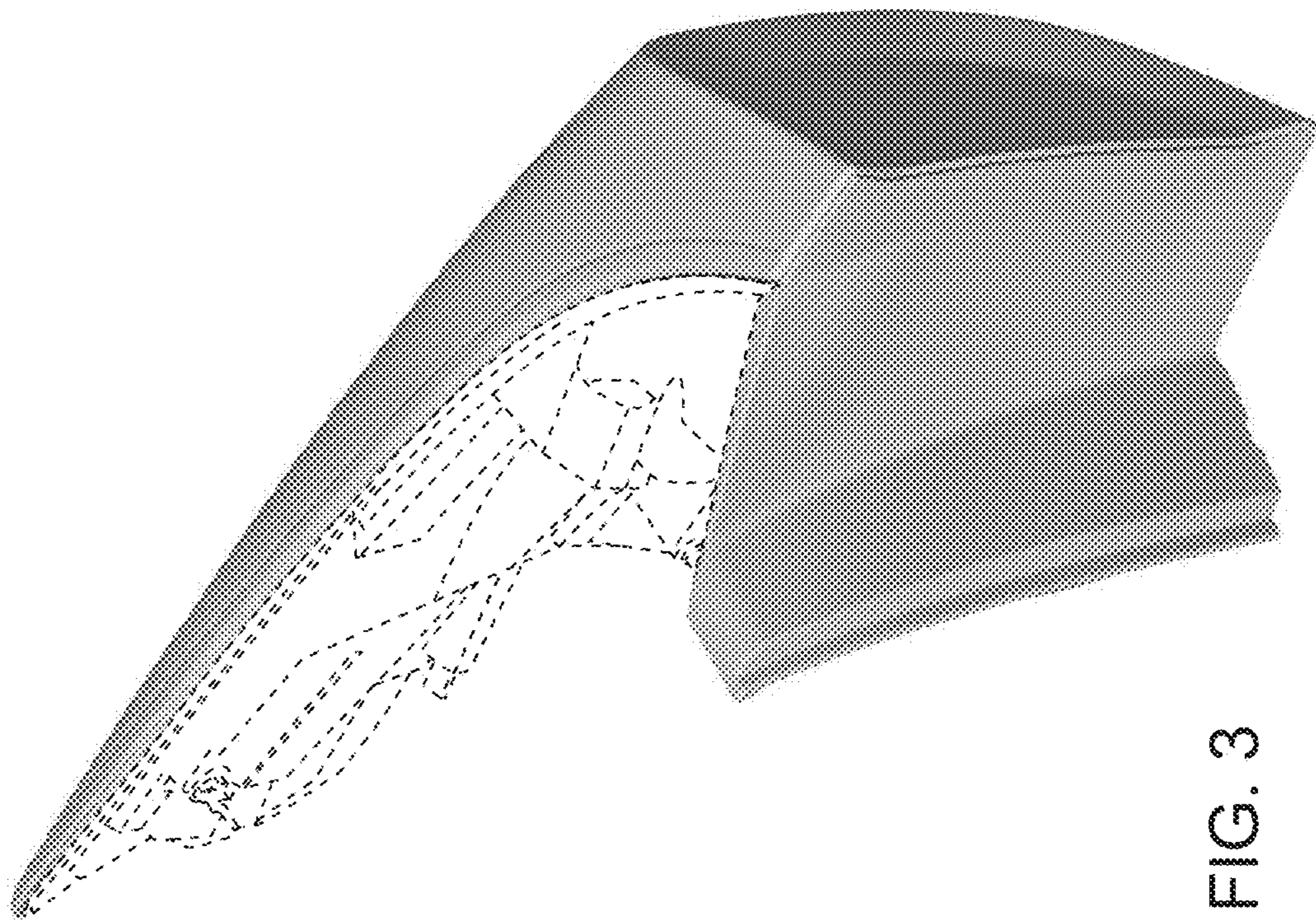


FIG. 3

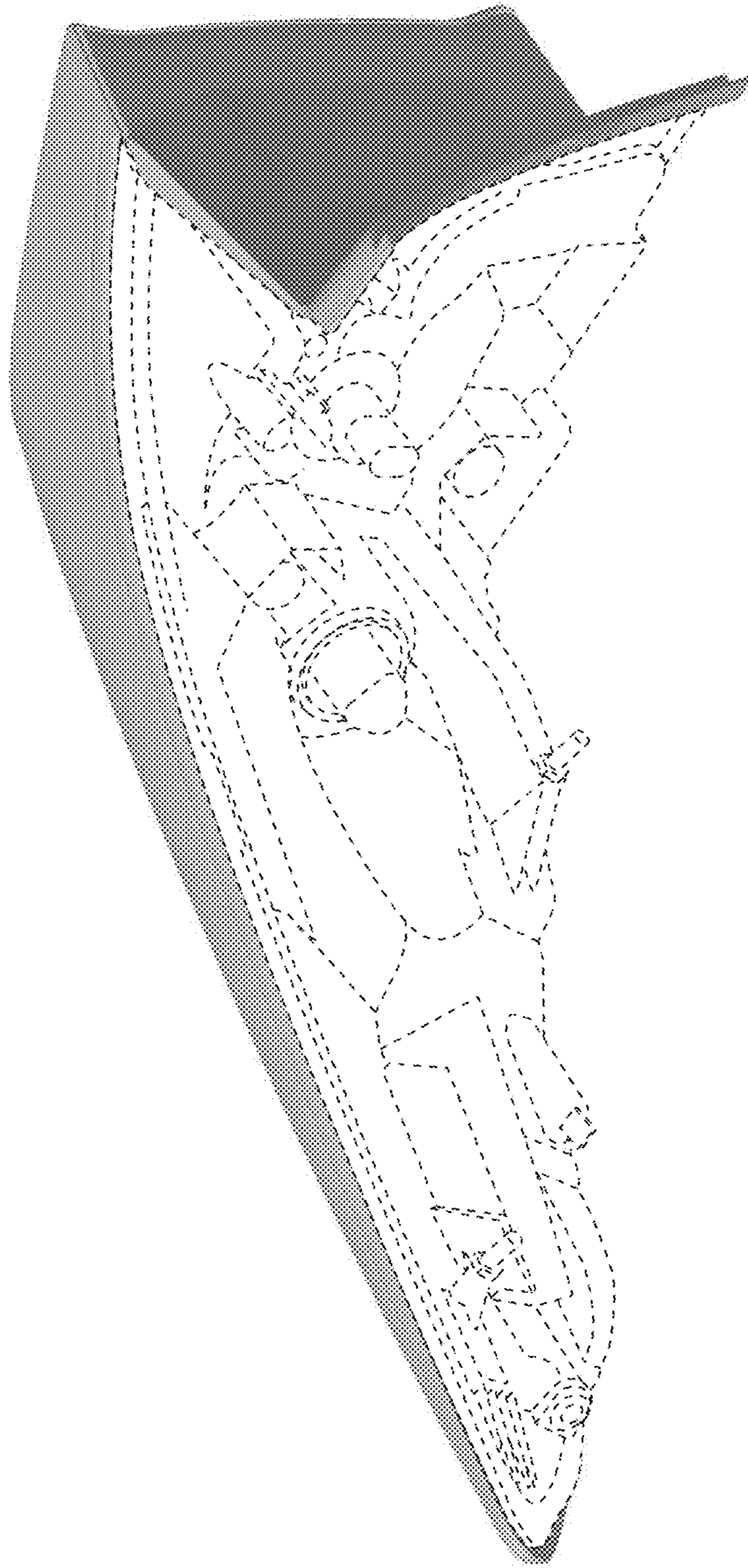


FIG. 4

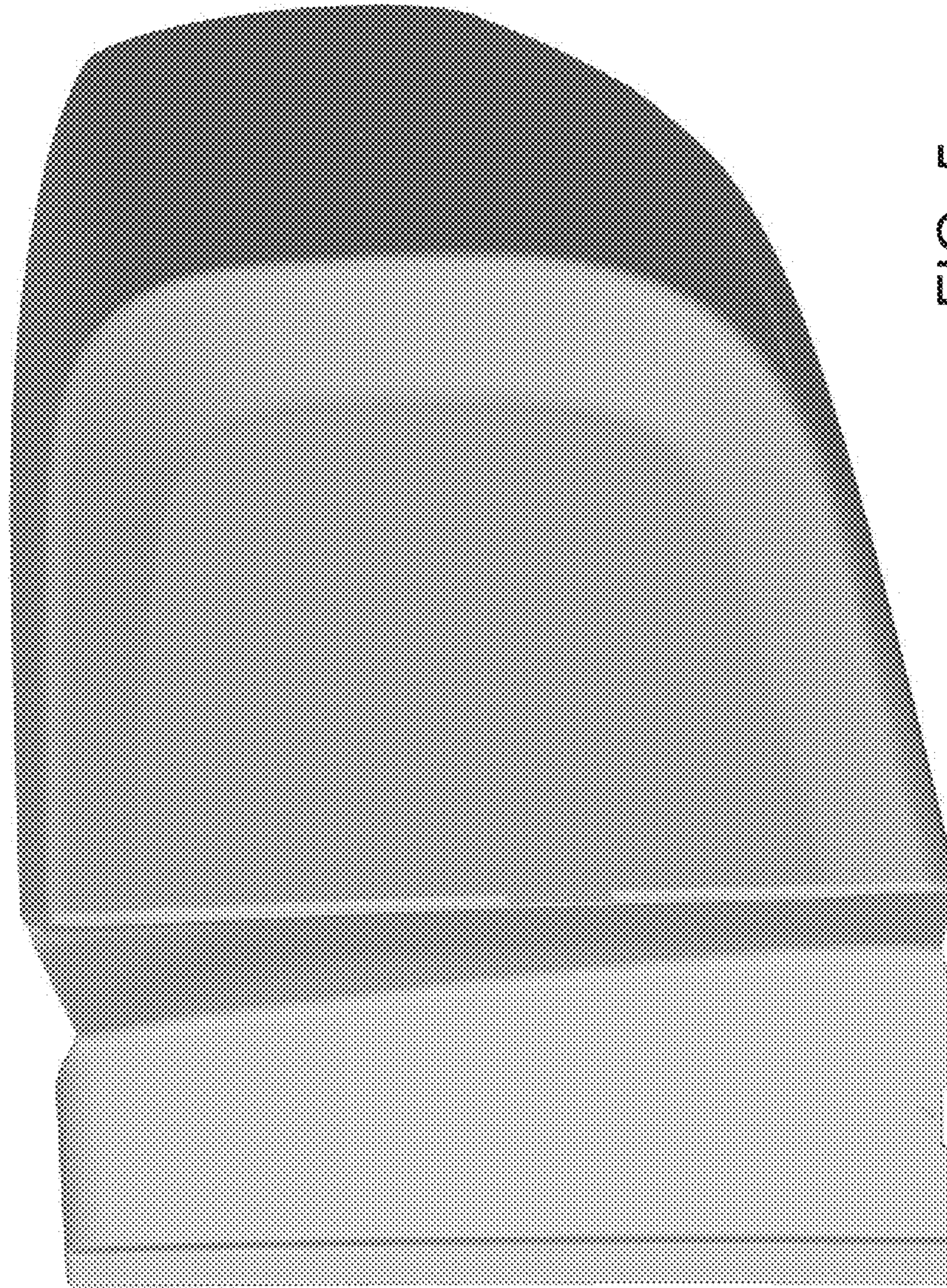


FIG. 5

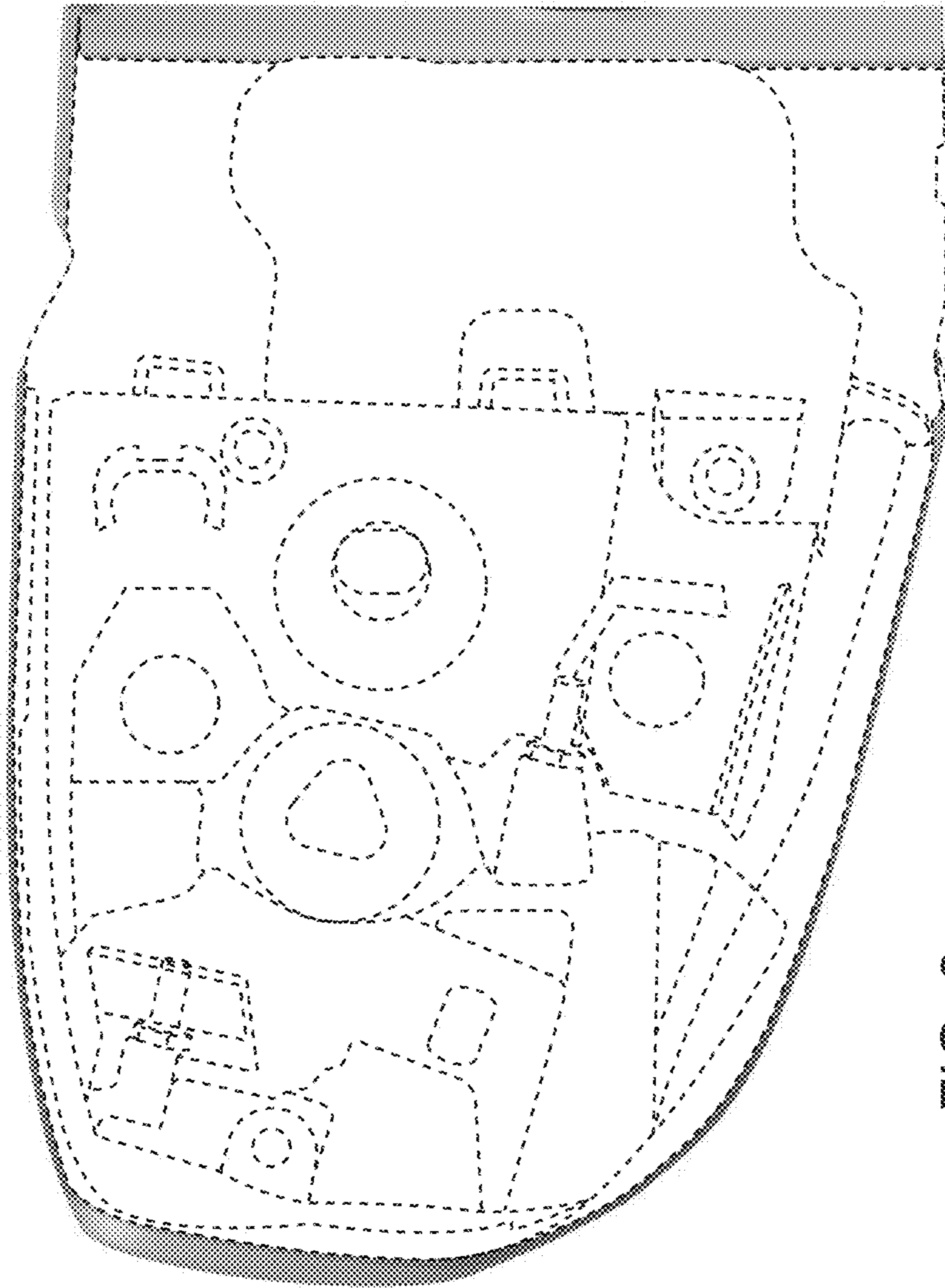


FIG. 6

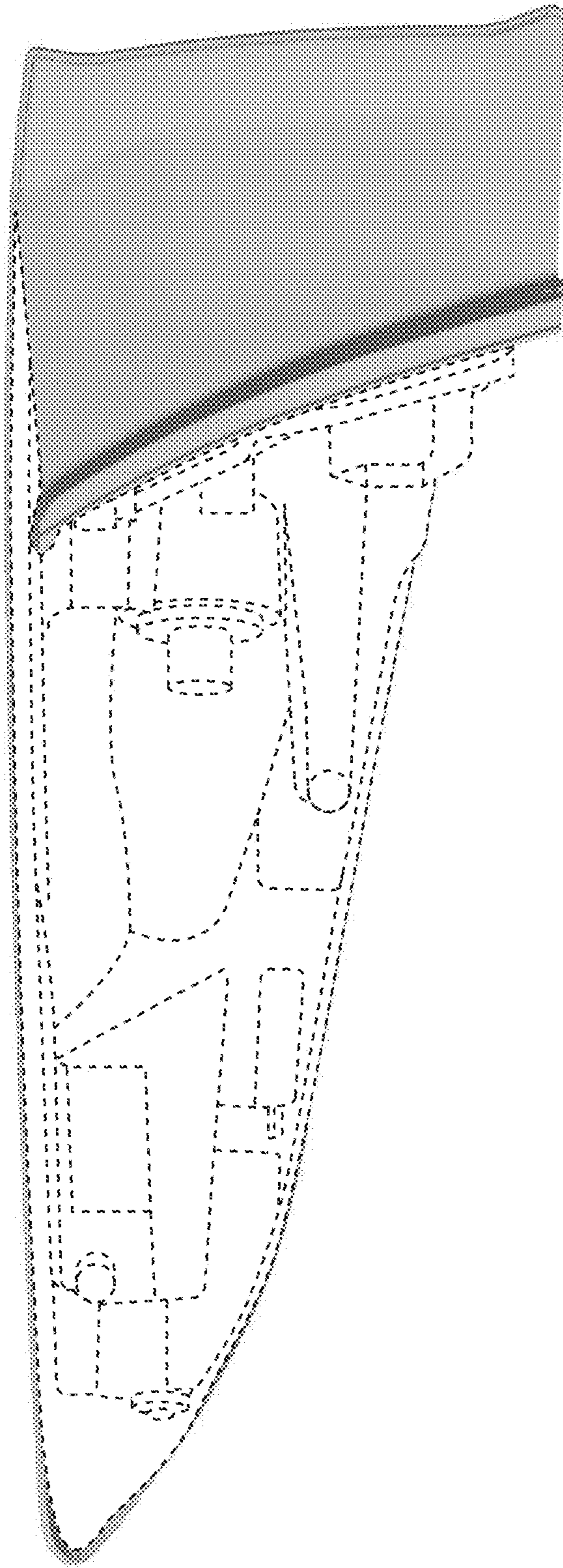


FIG. 7

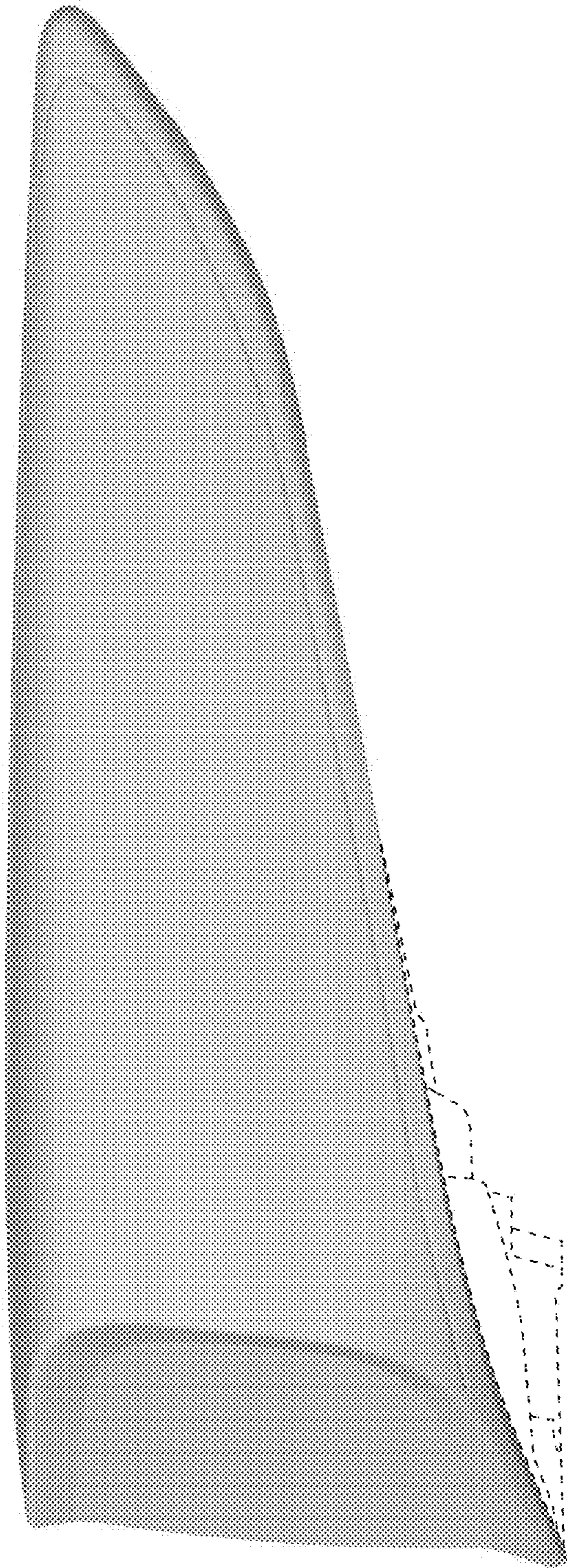


FIG. 8

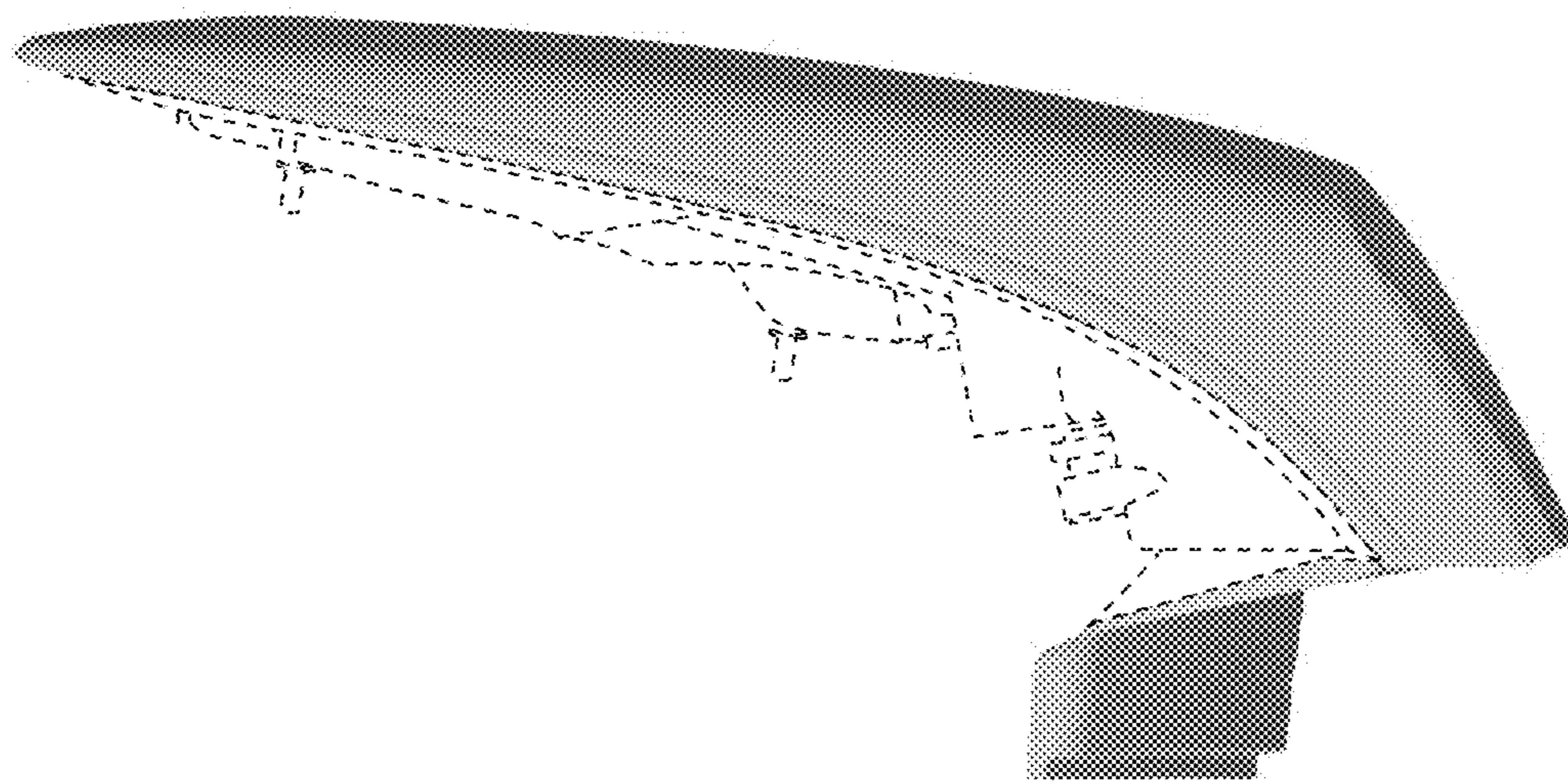


FIG. 9

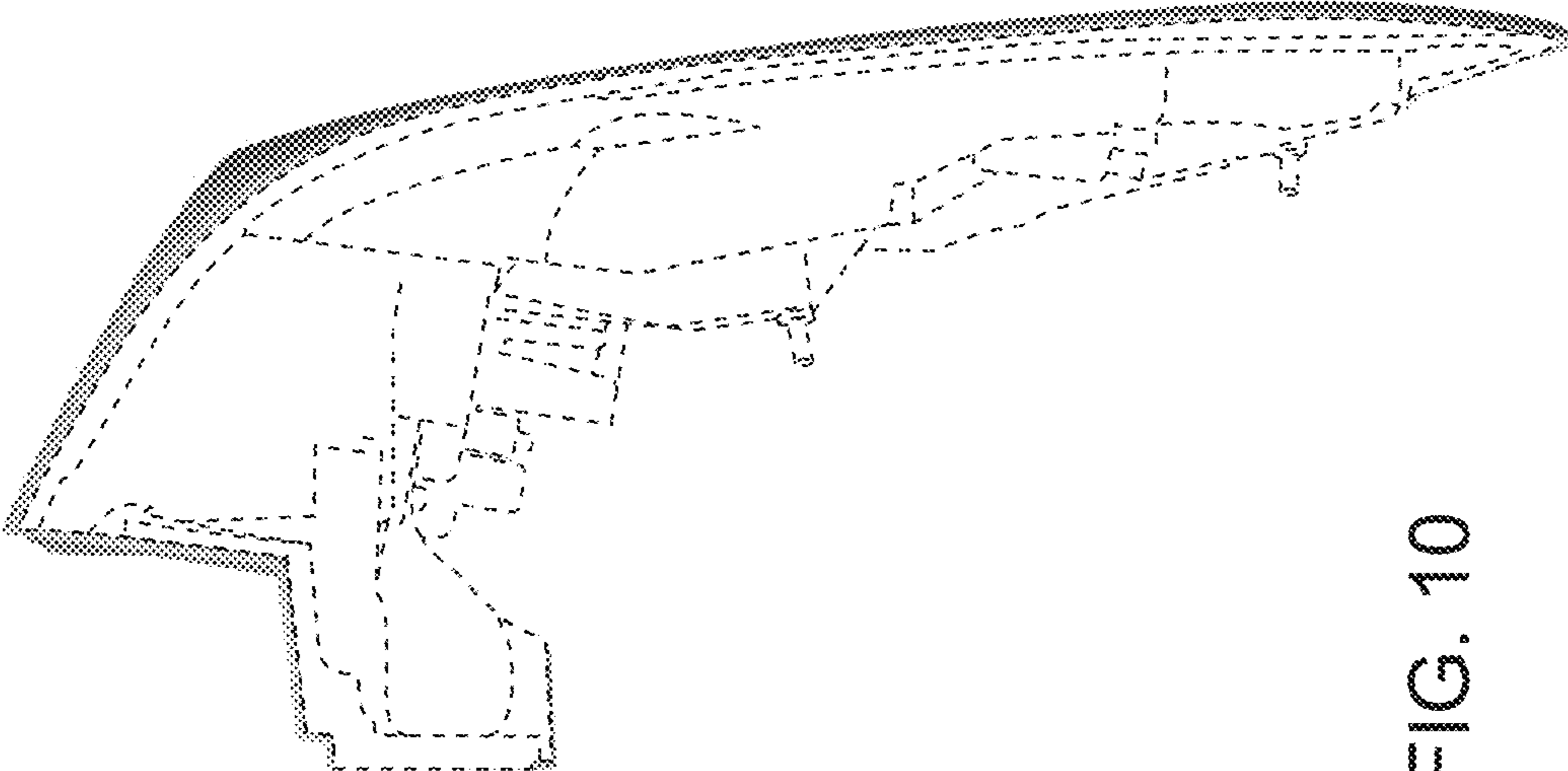


FIG. 10