



US00D877368S

(12) **United States Design Patent** (10) **Patent No.:** **US D877,368 S**  
**Shirdel et al.** (45) **Date of Patent:** **\*\* Mar. 3, 2020**

(54) **REAR LIGHTS FOR CARS**

(56) **References Cited**

(71) Applicant: **Nio Nextev Limited**, Hong Kong OT (HK)

U.S. PATENT DOCUMENTS

(72) Inventors: **Kaveh Shirdel**, Hong Kong (HK);  
**Emilie Hobruecker**, Hong Kong (HK);  
**Angela Brands**, Hong Kong (HK); **Sid Odedra**, Hong Kong (HK)

D684,710 S *	6/2013	Chen	.....	D26/28
D723,723 S *	3/2015	Goto	.....	D26/28
D735,920 S *	8/2015	Honda	.....	D26/28
D748,305 S *	1/2016	Miyazawa	.....	D26/28
D749,251 S *	2/2016	Nakahara	.....	D26/28
D752,780 S *	3/2016	Hall	.....	D26/28
D757,967 S *	5/2016	Kim	.....	D26/28
D769,483 S *	10/2016	Morikawa	.....	D26/28
D772,448 S *	11/2016	Ishii	.....	D26/28
D774,224 S *	12/2016	Okue	.....	D26/28
D810,330 S *	2/2018	Sibitzky	.....	D26/28
D812,275 S *	3/2018	Wu	.....	D26/28
D815,323 S *	4/2018	Amemiya	.....	D26/28
D816,247 S *	4/2018	Wu	.....	D26/28

(73) Assignee: **NIO NEXTEV LIMITED**, Hong Kong (CN)

(\*\*) Term: **15 Years**

\* cited by examiner

(21) Appl. No.: **29/615,806**

*Primary Examiner* — Mark A Goodwin

(22) Filed: **Aug. 31, 2017**

*Assistant Examiner* — Benjamin M Weeks

(30) **Foreign Application Priority Data**

(74) *Attorney, Agent, or Firm* — Sheridan Ross P.C.

Mar. 9, 2017 (EM) ..... 003792001

(51) **LOC (12) Cl.** ..... **26-06**

(57) **CLAIM**

(52) **U.S. Cl.**  
USPC ..... **D26/28**

The ornamental design for rear lights for cars, as shown and described.

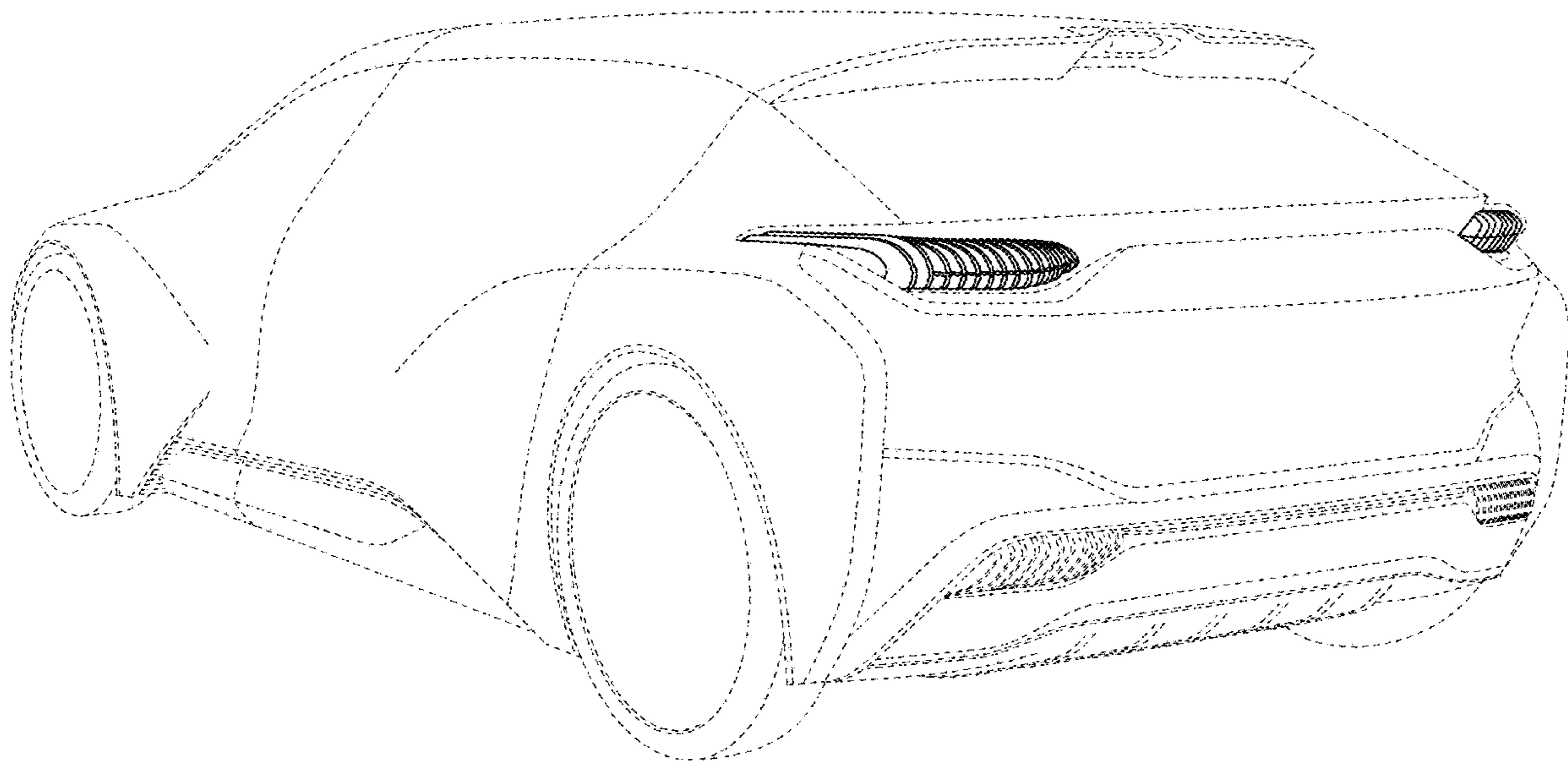
(58) **Field of Classification Search**  
USPC ..... D26/28-36  
CPC ..... F21S 48/00; F21S 48/10; F21S 48/1266;  
F21S 48/1388; F21S 48/2268; F21V  
21/04

**DESCRIPTION**

FIG. 1 is a rear perspective view thereof; and, FIG. 2 is a rear view thereof.

See application file for complete search history.

**1 Claim, 2 Drawing Sheets**



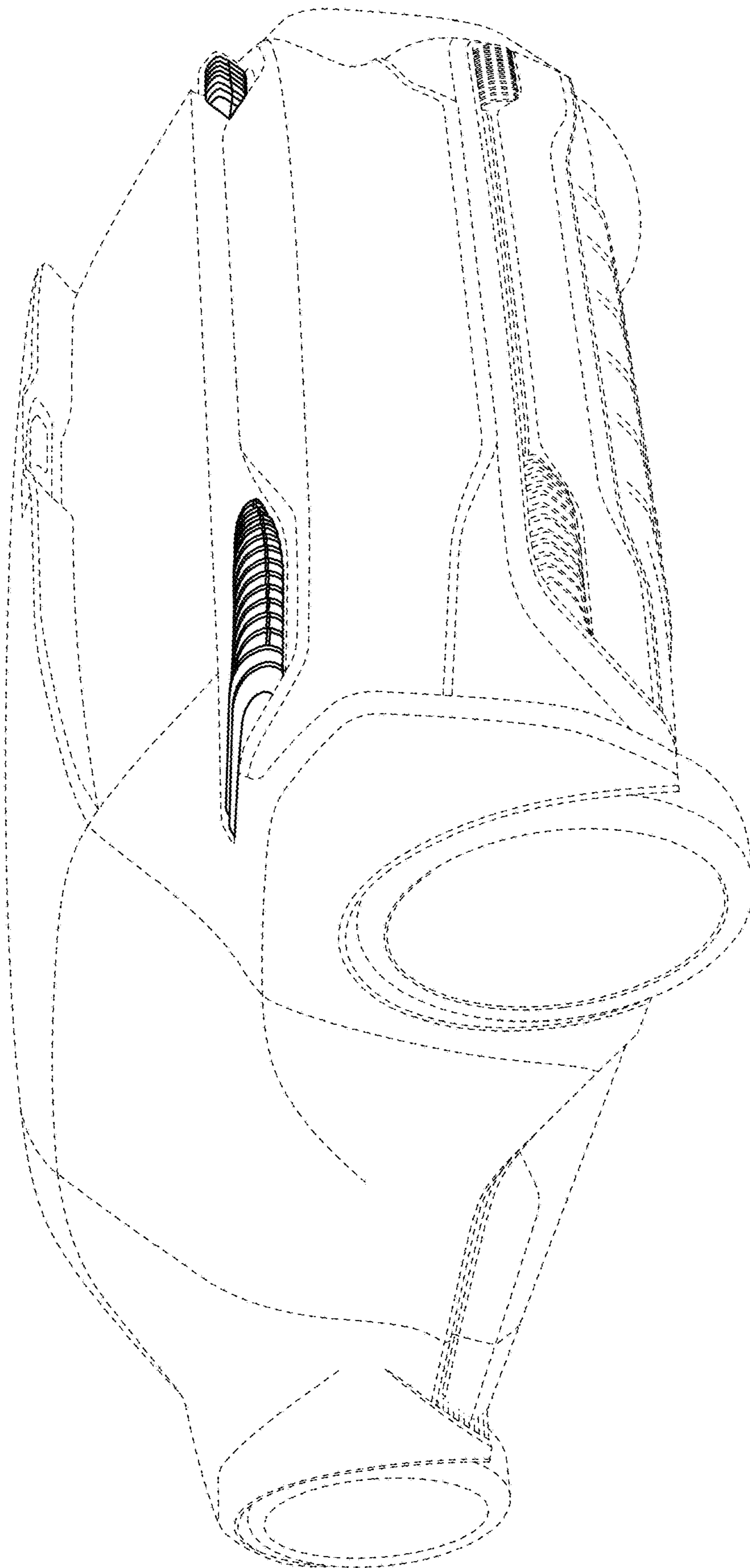


FIG. 1

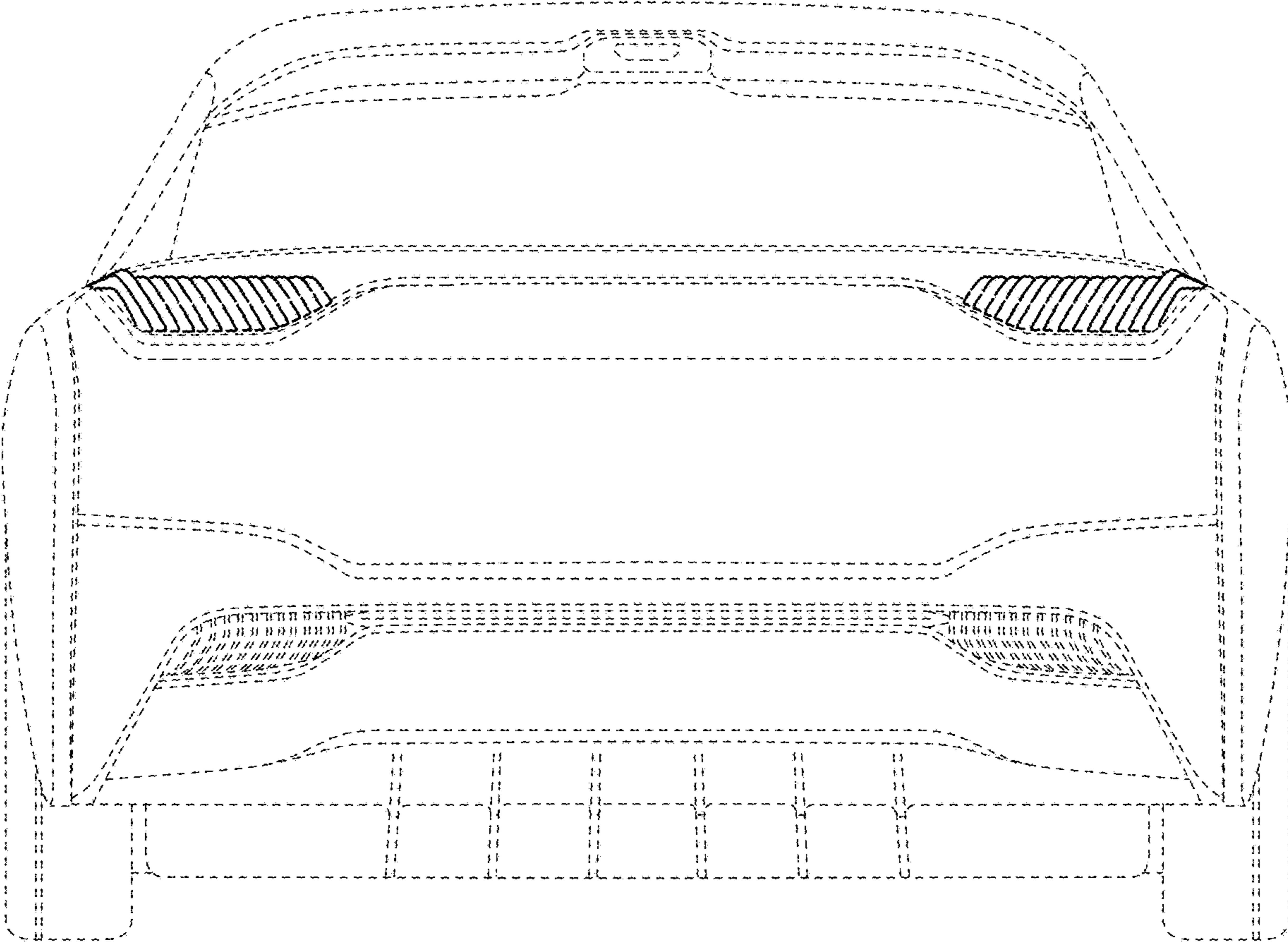


FIG. 2