



US00D877367S

(12) **United States Design Patent** (10) **Patent No.:** **US D877,367 S**
Kasuga et al. (45) **Date of Patent:** **** Mar. 3, 2020**

(54) **PROJECTOR LAMP FOR VEHICLES**

FOREIGN PATENT DOCUMENTS

(71) Applicant: **Mitsubishi Electric Corporation,**
Tokyo (JP)

JP 2011-016383 A 1/2011

(72) Inventors: **Kei Kasuga,** Tokyo (JP); **Tsutomu Matsubara,** Tokyo (JP); **Munetaka Nishihira,** Tokyo (JP); **Reiko Sakata,** Tokyo (JP); **Shinsaku Fukutaka,** Tokyo (JP); **Akiko Imaishi,** Tokyo (JP)

OTHER PUBLICATIONS

An Office Action; "Notification of Reasons for Refusal," mailed by the Japanese Patent Office dated Jan. 30, 2018, which corresponds to Japanese Patent Application No. 2017-007116 and is related to Design U.S. Appl. No. 29/609,645; with its English translation.

(73) Assignee: **Mitsubishi Electric Corporation,**
Tokyo (JP)

* cited by examiner

(**) Term: **15 Years**

Primary Examiner — Marcus A Jackson

(21) Appl. No.: **29/609,645**

(74) *Attorney, Agent, or Firm* — Studebaker & Brackett PC

(22) Filed: **Jul. 3, 2017**

(30) **Foreign Application Priority Data**

Apr. 4, 2017 (JP) 2017-007116

(51) **LOC (12) Cl.** **26-06**

(52) **U.S. Cl.**
USPC **D26/28**

(58) **Field of Classification Search**

USPC D26/28-36, 139
CPC F21S 48/00; F21S 48/10; F21S 48/115;
F21S 48/225; F21S 48/1233; F21S
48/1266; F21S 48/1388; F21S 48/2268;
F21V 13/00; F21V 21/04; F21V 29/004
See application file for complete search history.

(56) **References Cited**

U.S. PATENT DOCUMENTS

D711,023 S * 8/2014 Wu D26/28
D739,577 S * 9/2015 Kani D26/28
D747,517 S * 1/2016 Lai D26/28
D757,976 S * 5/2016 Eustace D26/63

(57) **CLAIM**

The ornamental design for a projector lamp for vehicles, as shown and described.

DESCRIPTION

FIG. 1 is a perspective view of the front, right and top sides of a projector lamp for vehicles showing our new design; FIG. 2 is a front view thereof; FIG. 3 is a rear view thereof; FIG. 4 is a right side view thereof; FIG. 5 is a top side view thereof; FIG. 6 is a cross-sectional view thereof; taken along line 6-6 of FIG. 2 with the internal system omitted; and, FIG. 7 is a reference view showing the use state thereof. The parts shown in the broken lines do not form part of the claimed designs. The left views are omitted because they are mirror images of the right views.

1 Claim, 7 Drawing Sheets

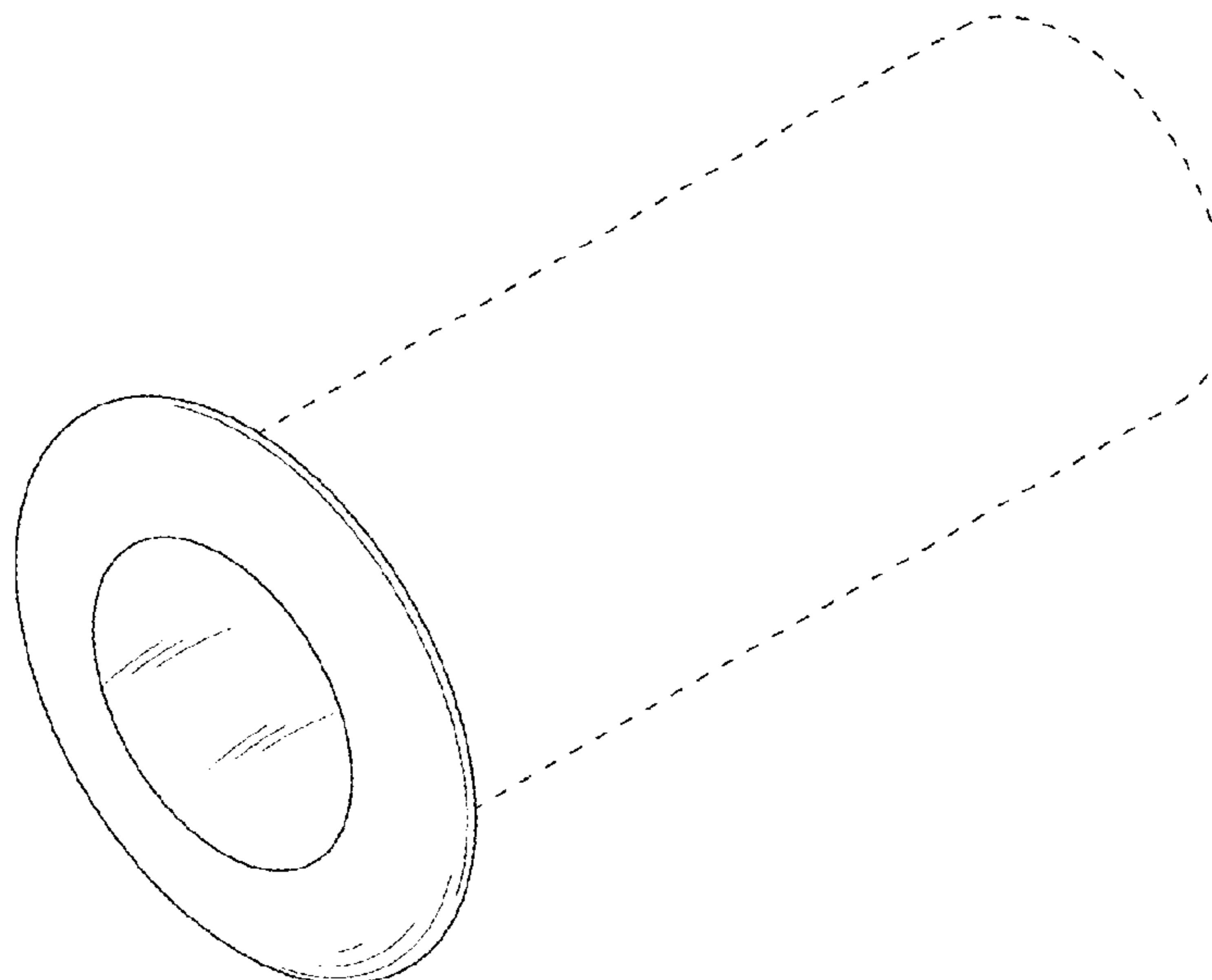


Fig.1

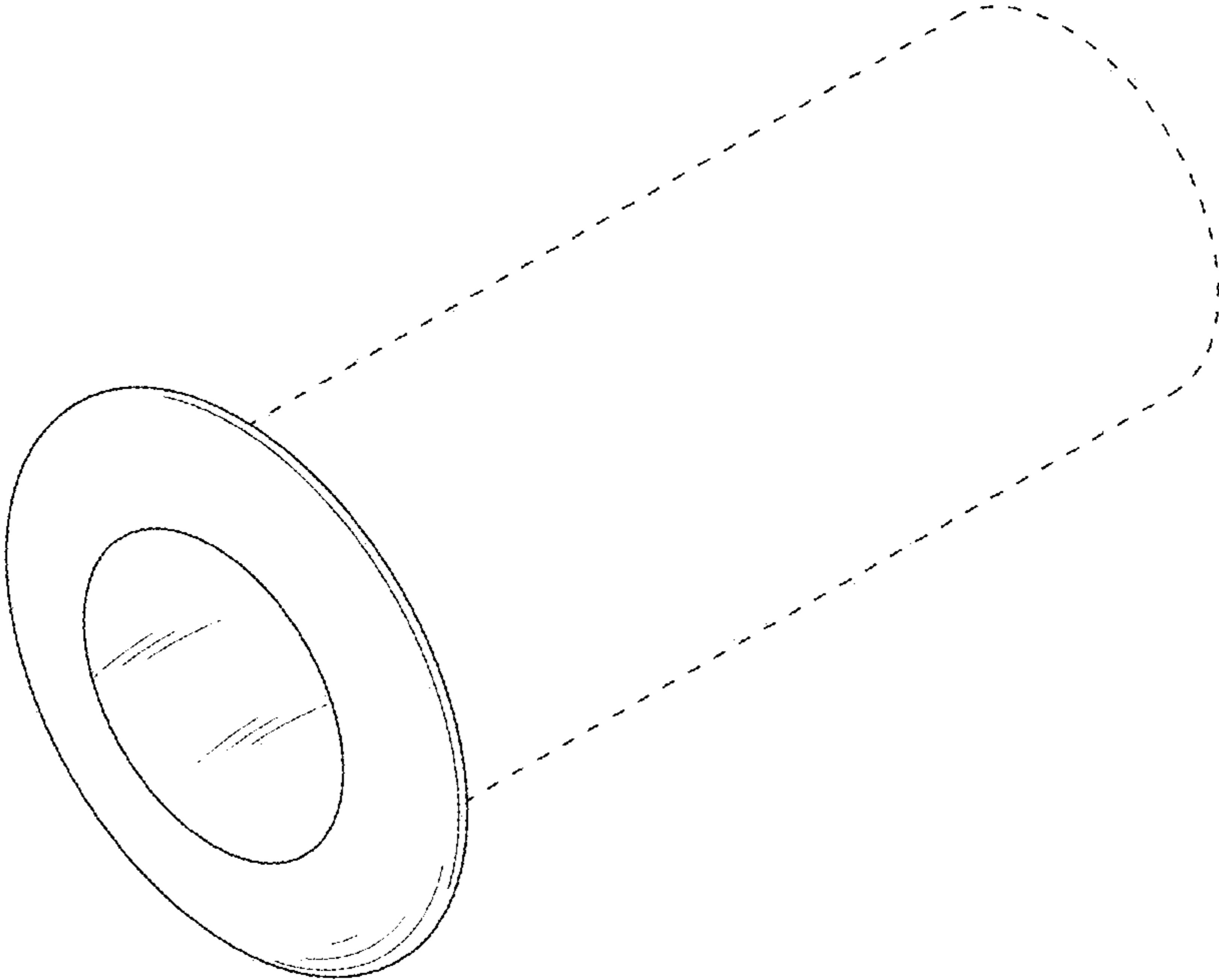


Fig.2

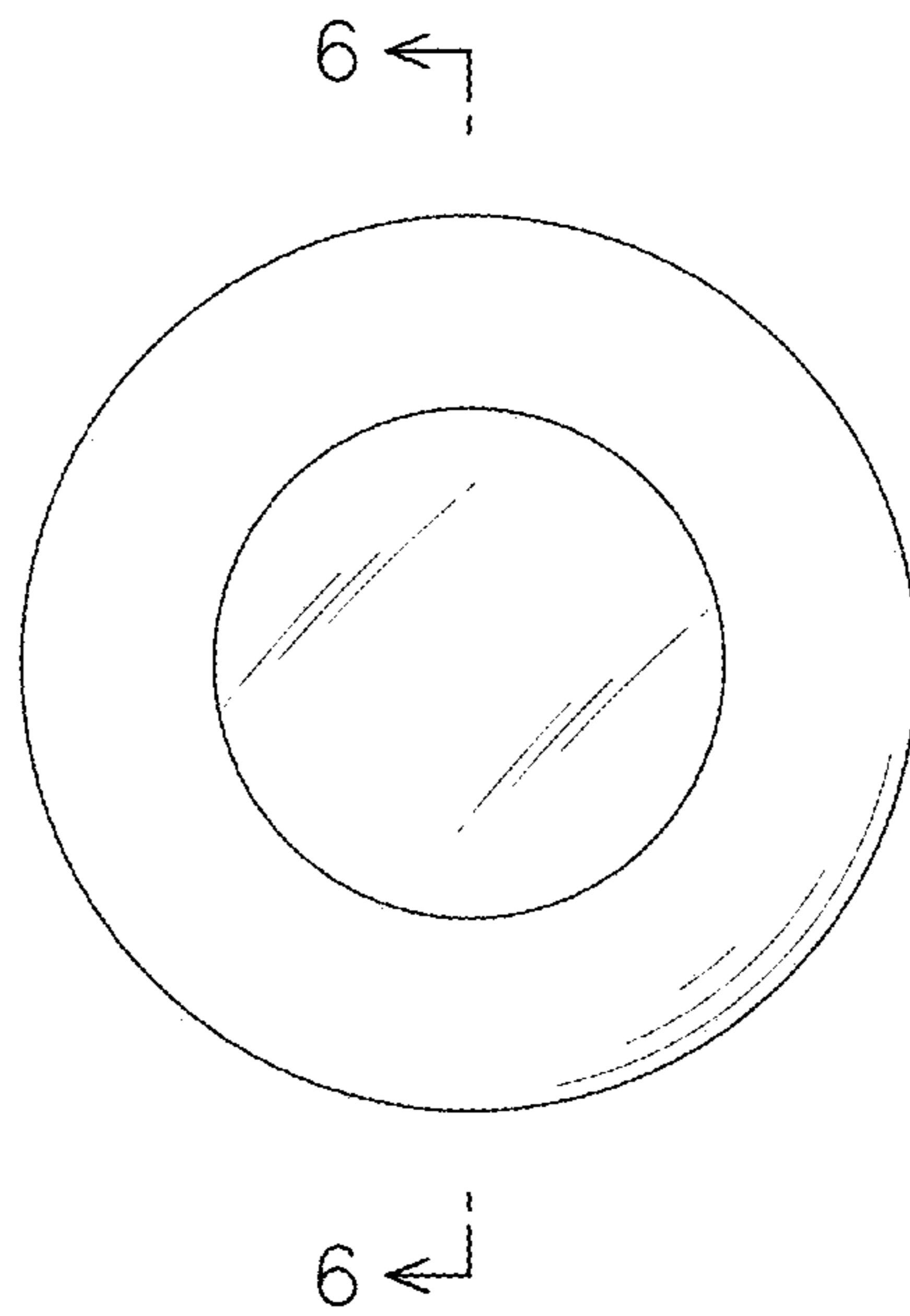


Fig.3

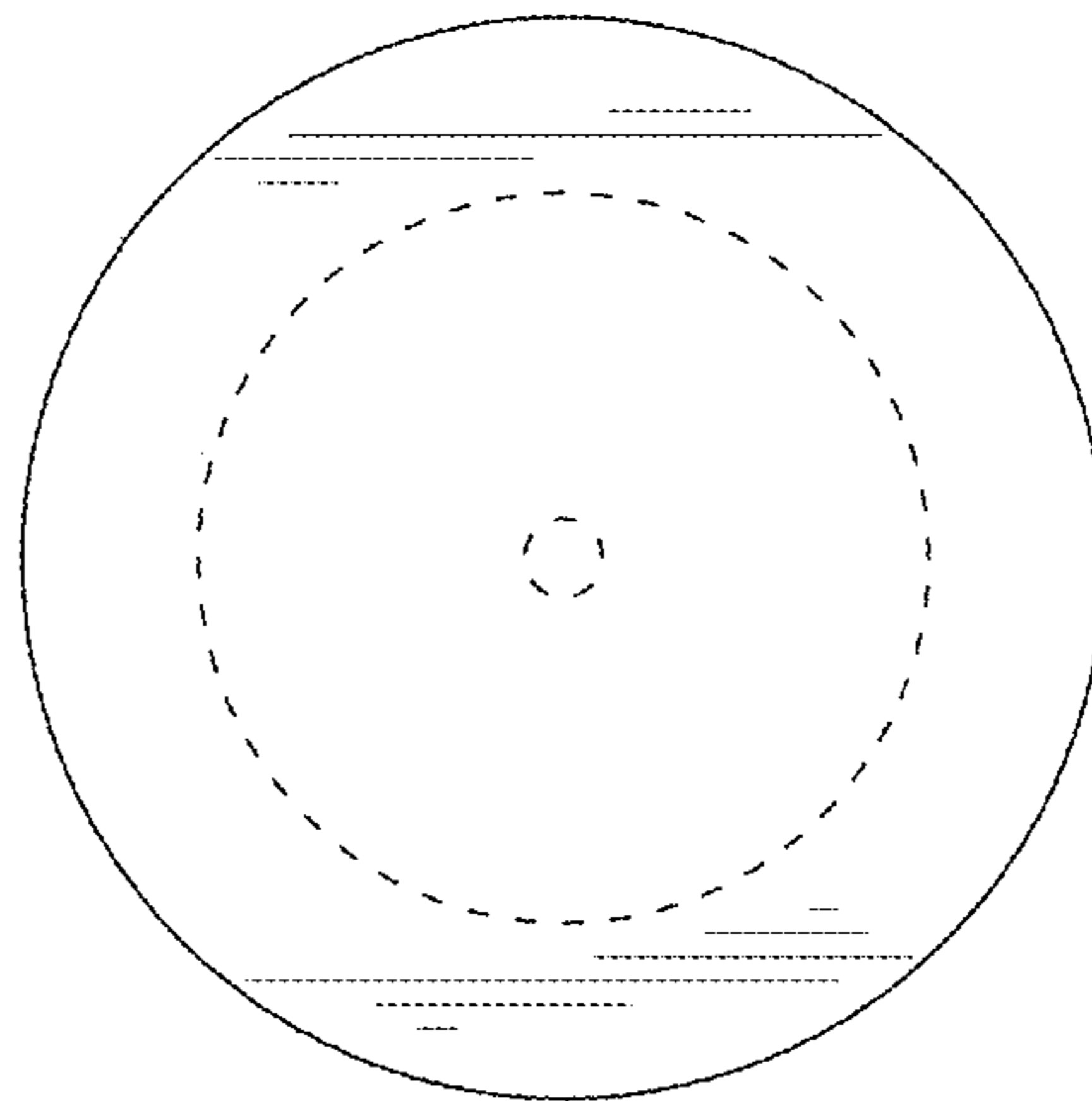


Fig.4

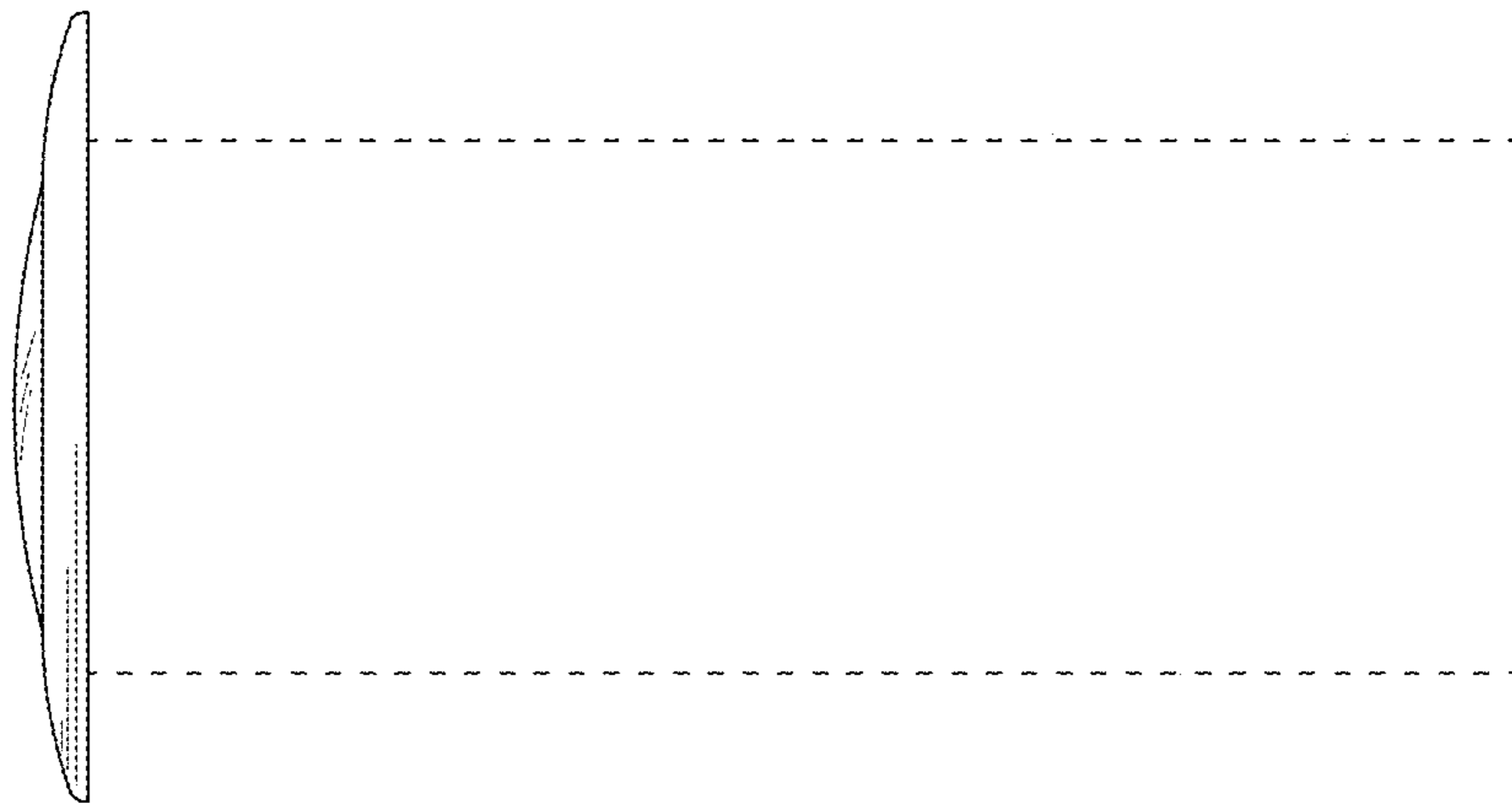


Fig.5

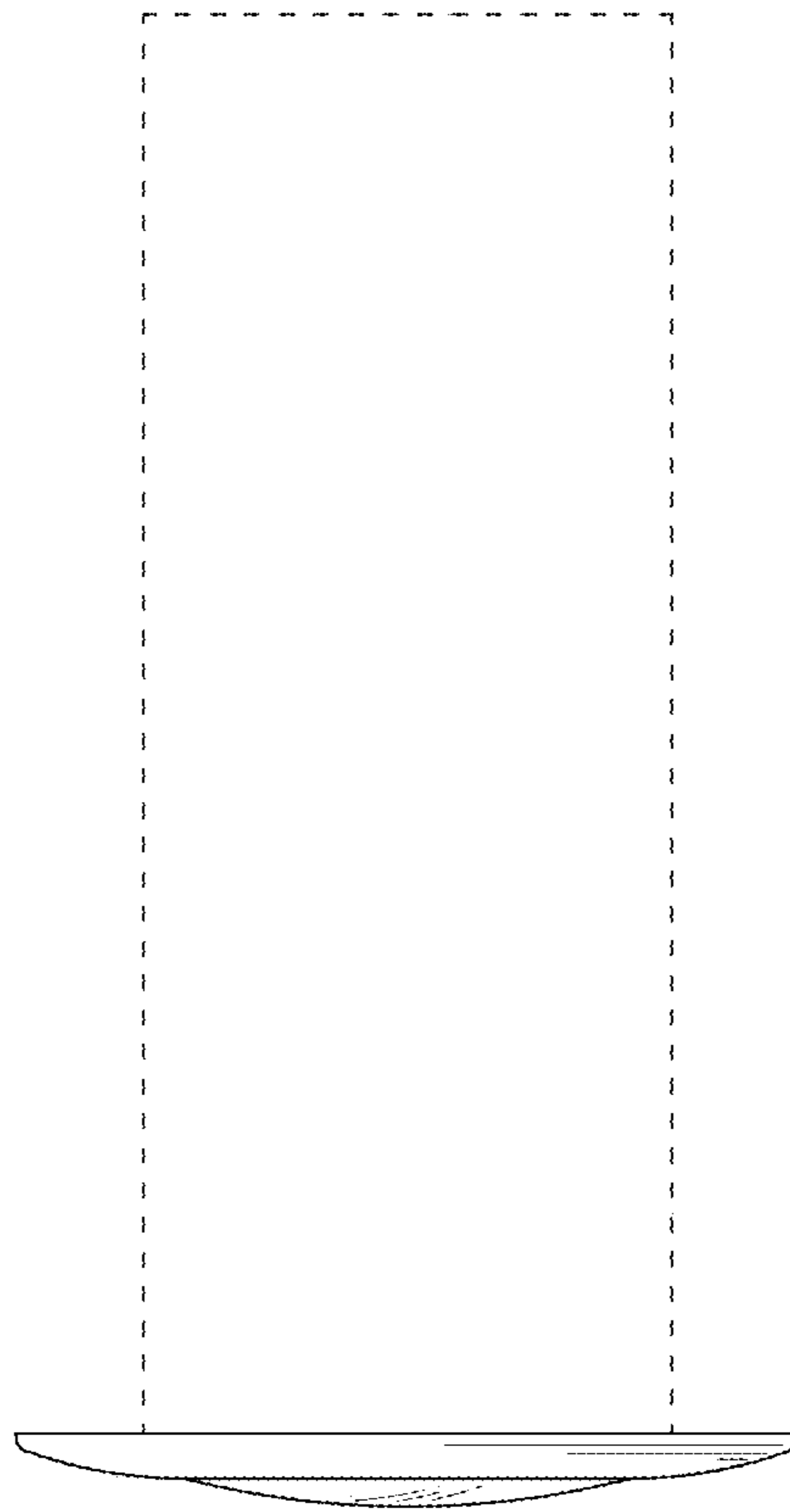


Fig.6

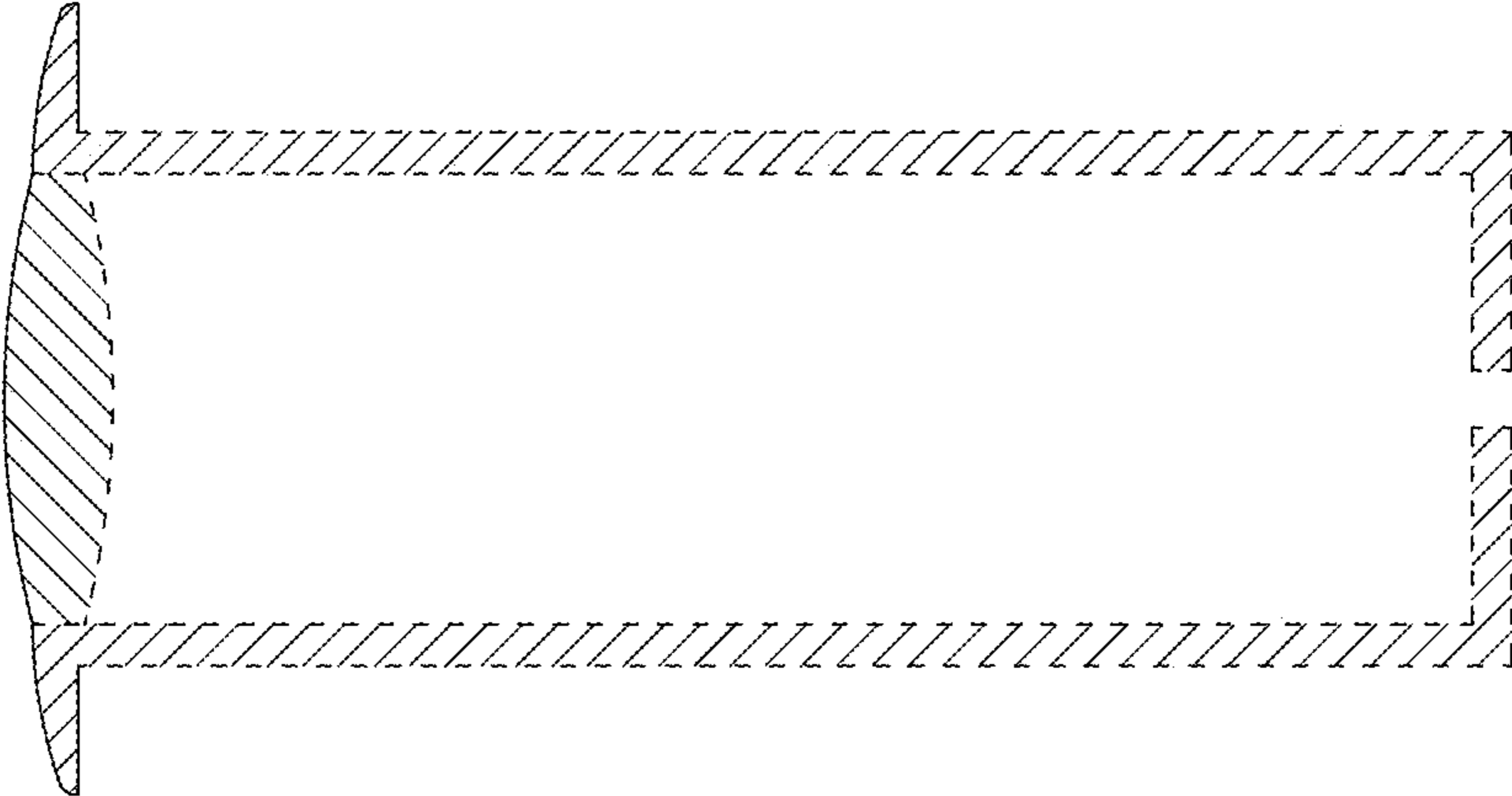


Fig.7

