



US00D877366S

(12) **United States Design Patent**
Deng

(10) **Patent No.:** **US D877,366 S**
(45) **Date of Patent:** **** Mar. 3, 2020**

(54) **RECHARGEABLE DISC NIGHT VISION LAMP**

(71) Applicant: **Shenzhen Guandexin Technology CO., LTD**, Shenzhen (CN)

(72) Inventor: **Shaobo Deng**, Shenzhen (CN)

(73) Assignee: **Shenzhen Guandexin Technology Co., Ltd.** (CN)

(**) Term: **15 Years**

(21) Appl. No.: **29/678,720**

(22) Filed: **Jan. 30, 2019**

(51) **LOC (12) Cl.** **26-05**

(52) **U.S. Cl.**
USPC **D26/26**

(58) **Field of Classification Search**
USPC D26/26, 24, 113, 118, 119, 120;
D23/366, 367, 369; 362/640-644,
362/650-653, 659; D13/108
CPC F21S 8/035; F21V 23/06; F21V 23/0442;
F21W 2121/00; H01R 2103/00
See application file for complete search history.

(56) **References Cited**

U.S. PATENT DOCUMENTS

D346,869 S * 5/1994 Houssian D26/26
D347,288 S * 5/1994 Ham D26/26

D424,721 S * 5/2000 Garrity D26/26
D457,974 S * 5/2002 Piepgras D26/26
D465,859 S * 11/2002 Lo D26/26
D525,375 S * 7/2006 Funck D26/26
D551,362 S * 9/2007 Ottosson D26/26
D601,281 S * 9/2009 Howard D26/26
D601,282 S * 9/2009 Howard D26/26
D619,275 S * 7/2010 Pineault D26/26
D724,193 S * 3/2015 Esses D23/366
D810,263 S * 2/2018 Lu D23/366
D810,970 S * 2/2018 Thompson D26/26

* cited by examiner

Primary Examiner — Angela J Lee

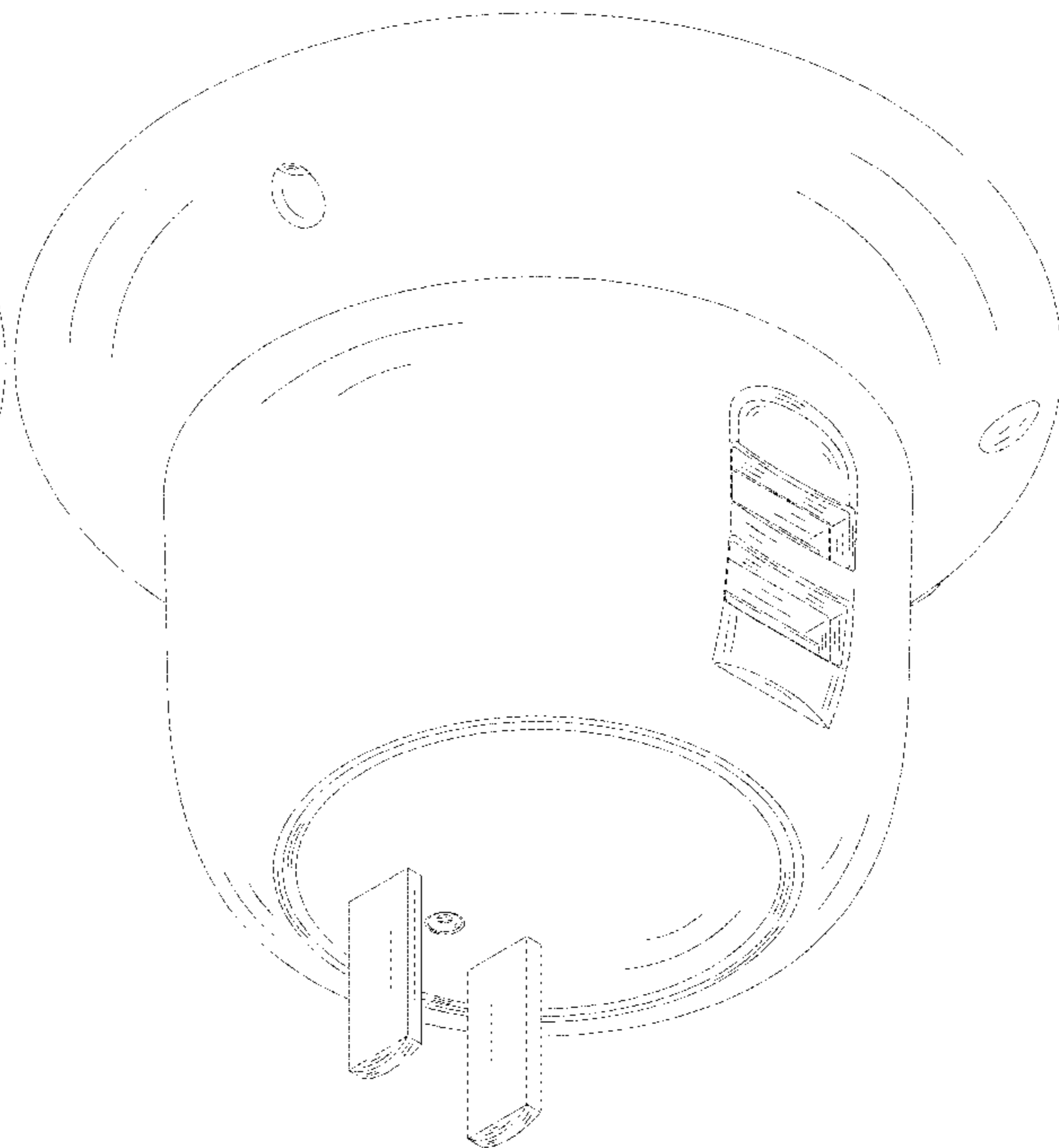
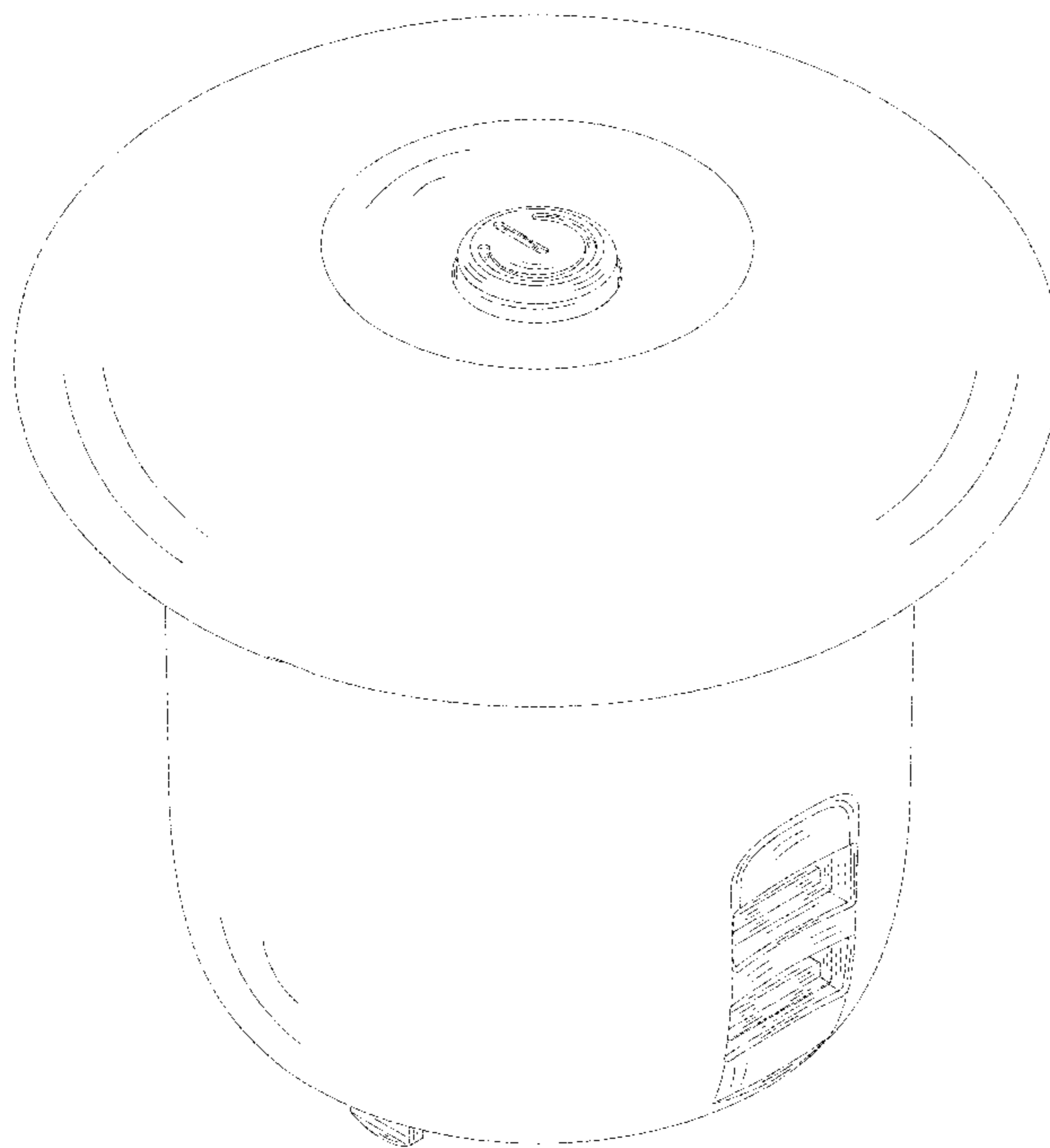
(57) **CLAIM**

The ornamental design for a rechargeable disc night vision lamp, as shown and described.

DESCRIPTION

FIG. 1 is a front view of a rechargeable disc night vision lamp, showing my new design;
FIG. 2 is a back view thereof;
FIG. 3 is a left side view thereof;
FIG. 4 is a right side view thereof;
FIG. 5 is a top view thereof;
FIG. 6 is a bottom view thereof;
FIG. 7 is a perspective view thereof; and,
FIG. 8 is another perspective view thereof, shown with the stand in extended condition.

1 Claim, 8 Drawing Sheets



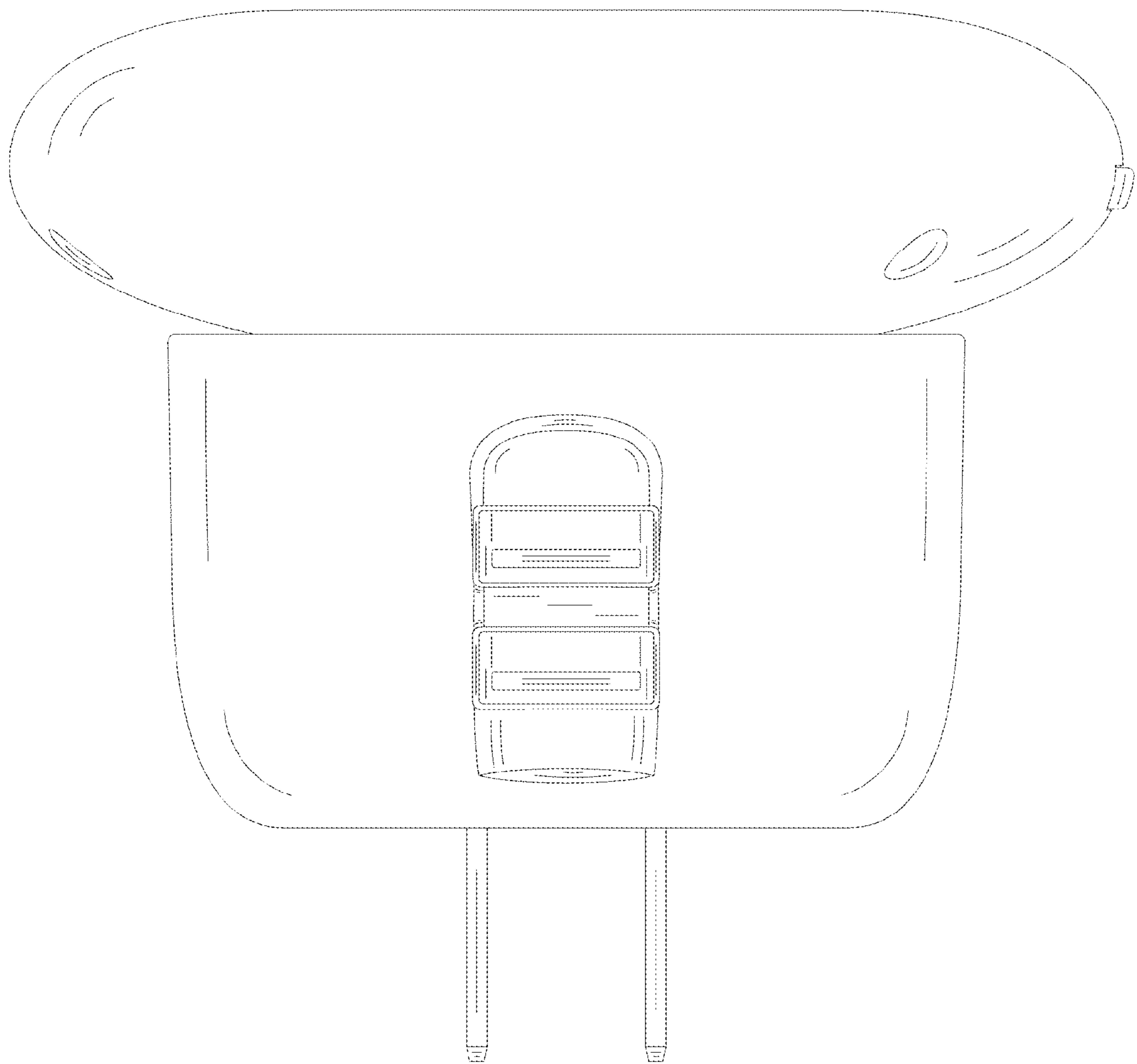


FIG. 1

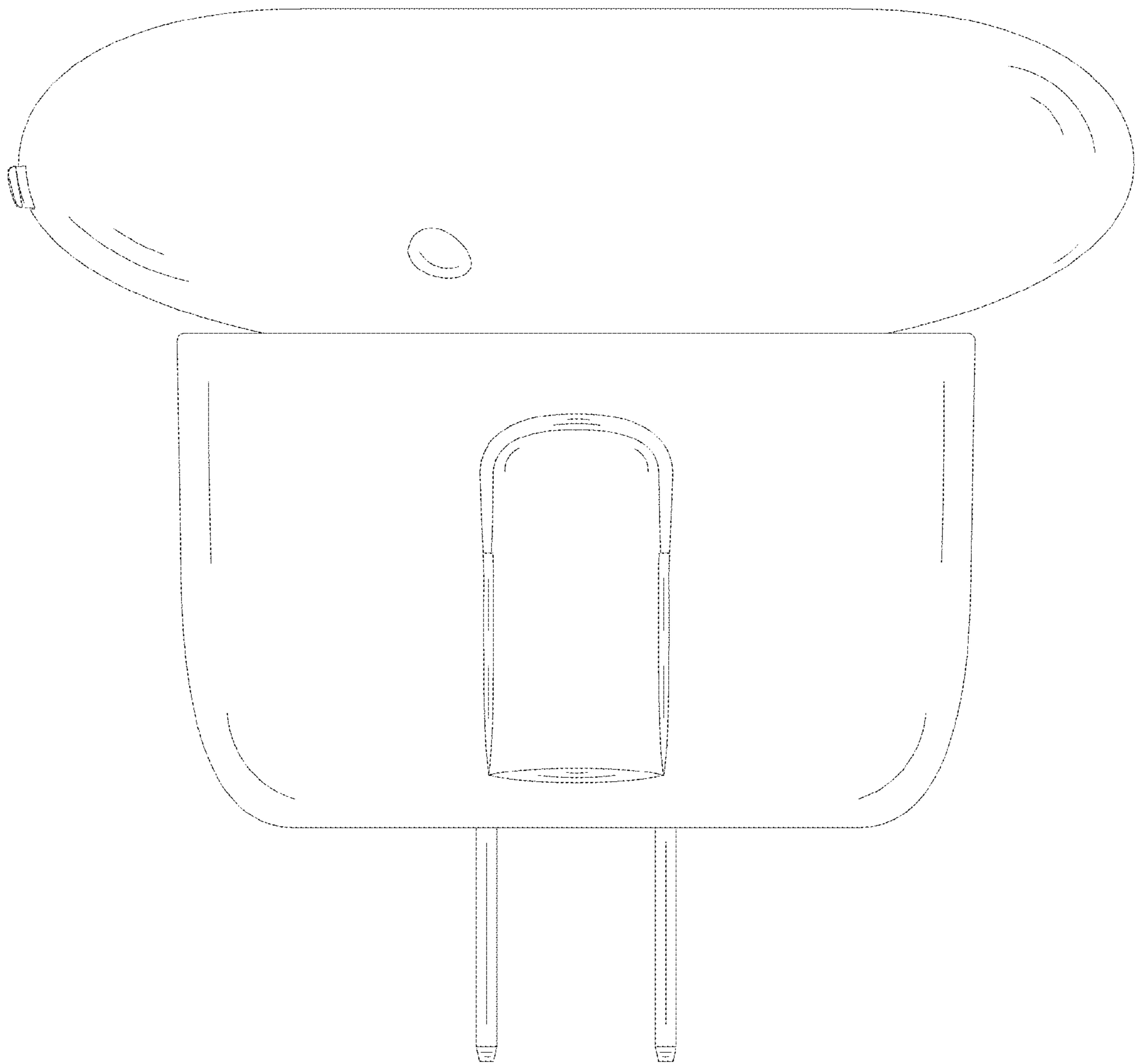


FIG. 2

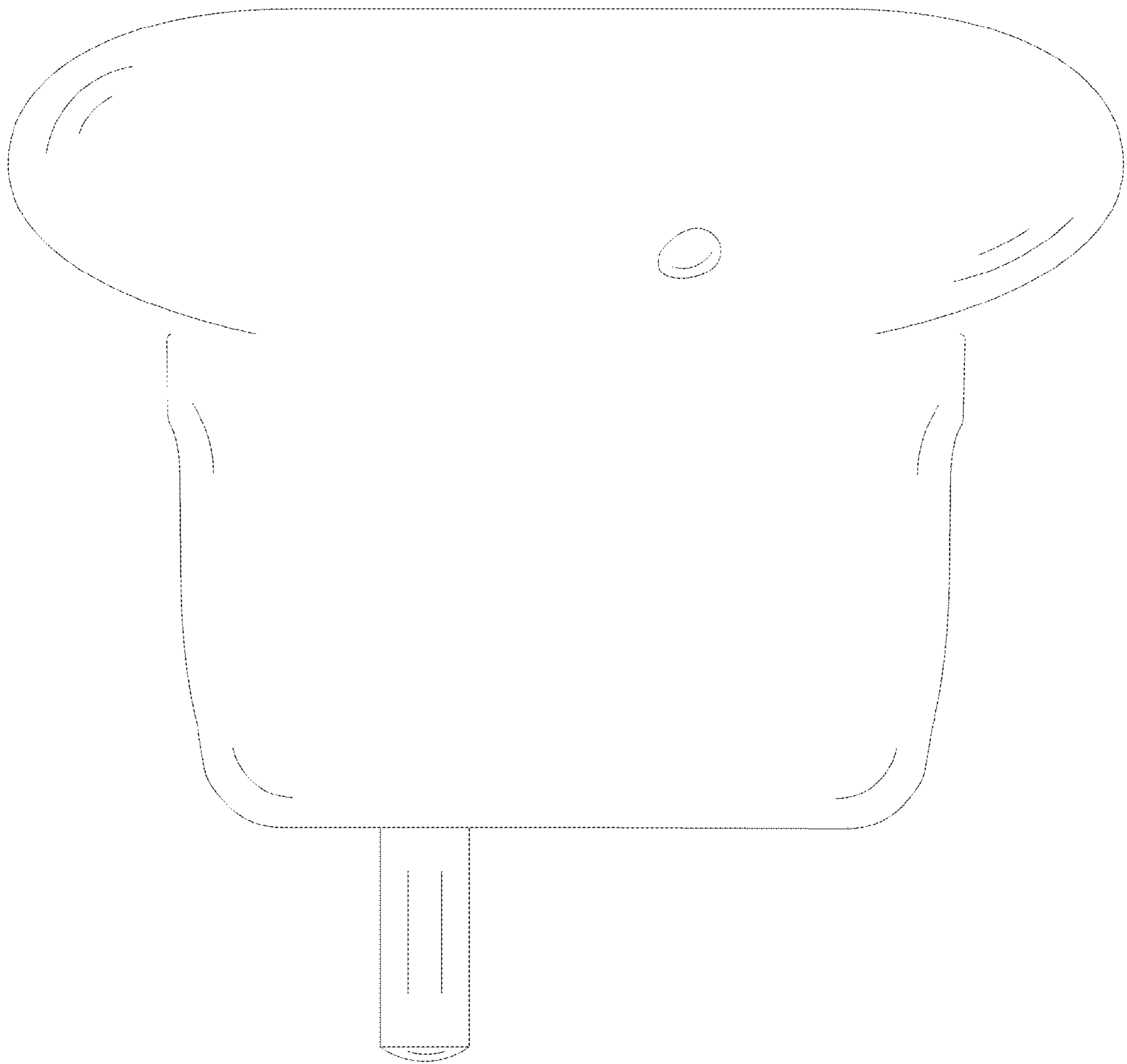


FIG. 3

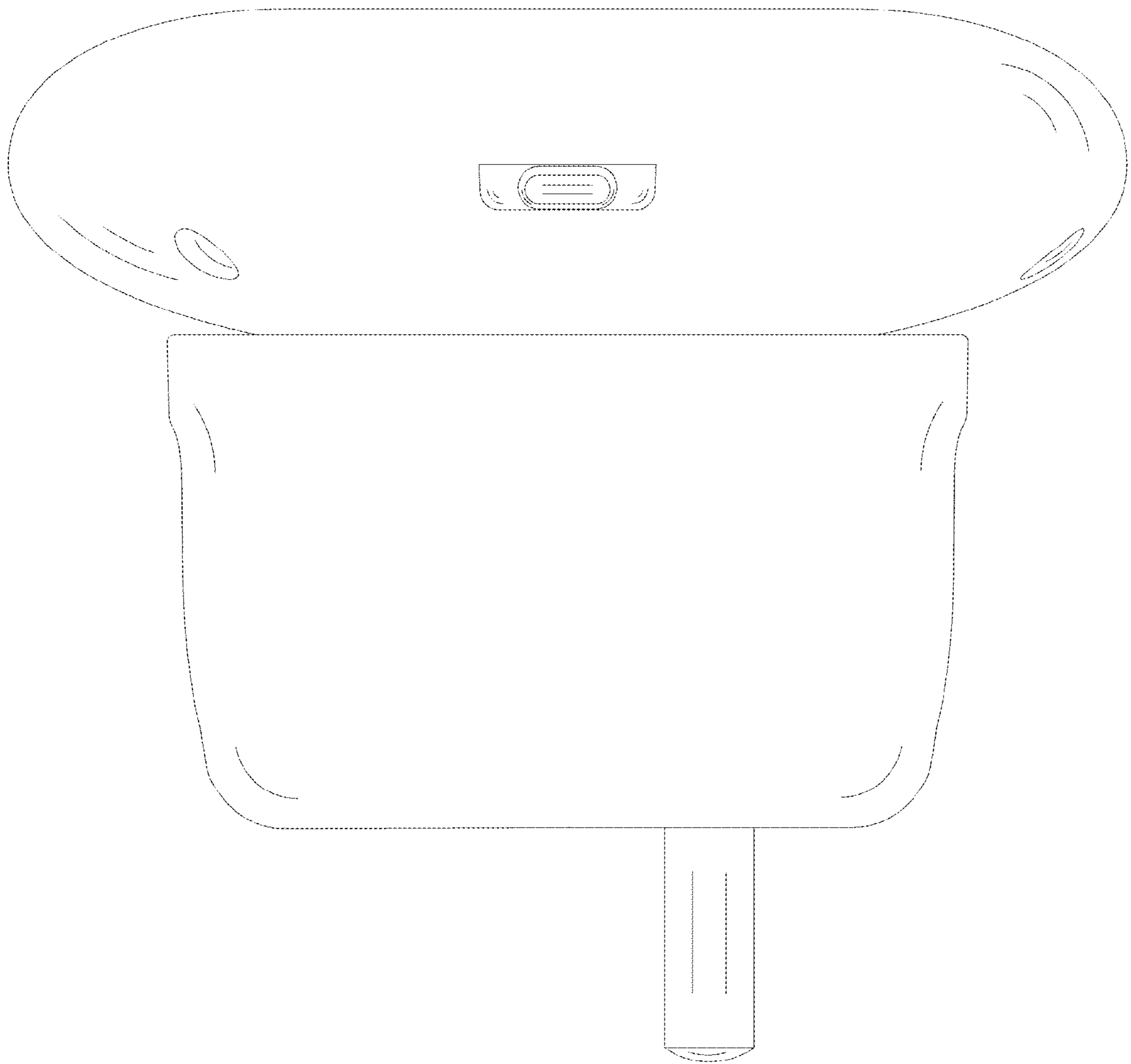


FIG. 4

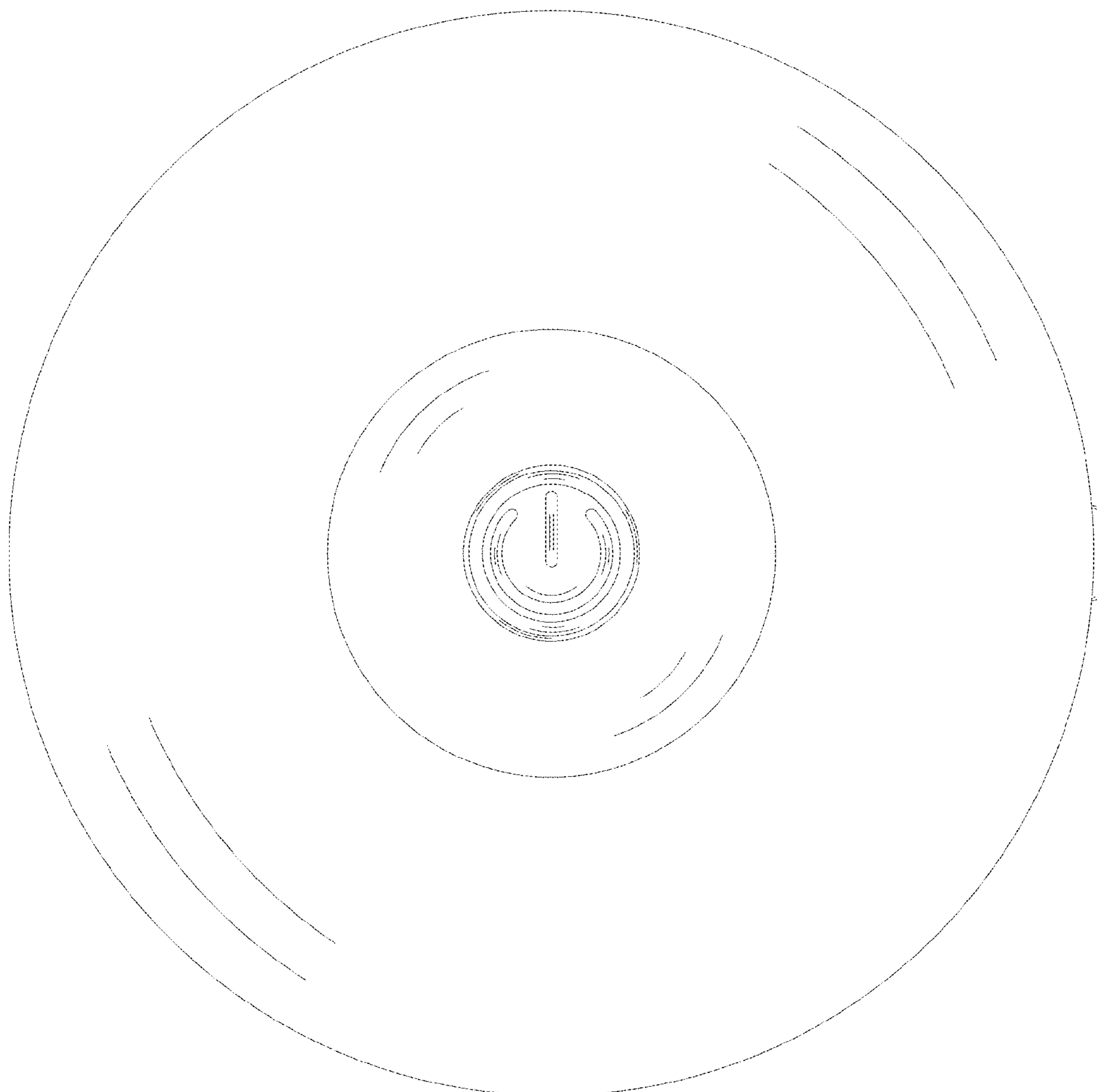


FIG. 5

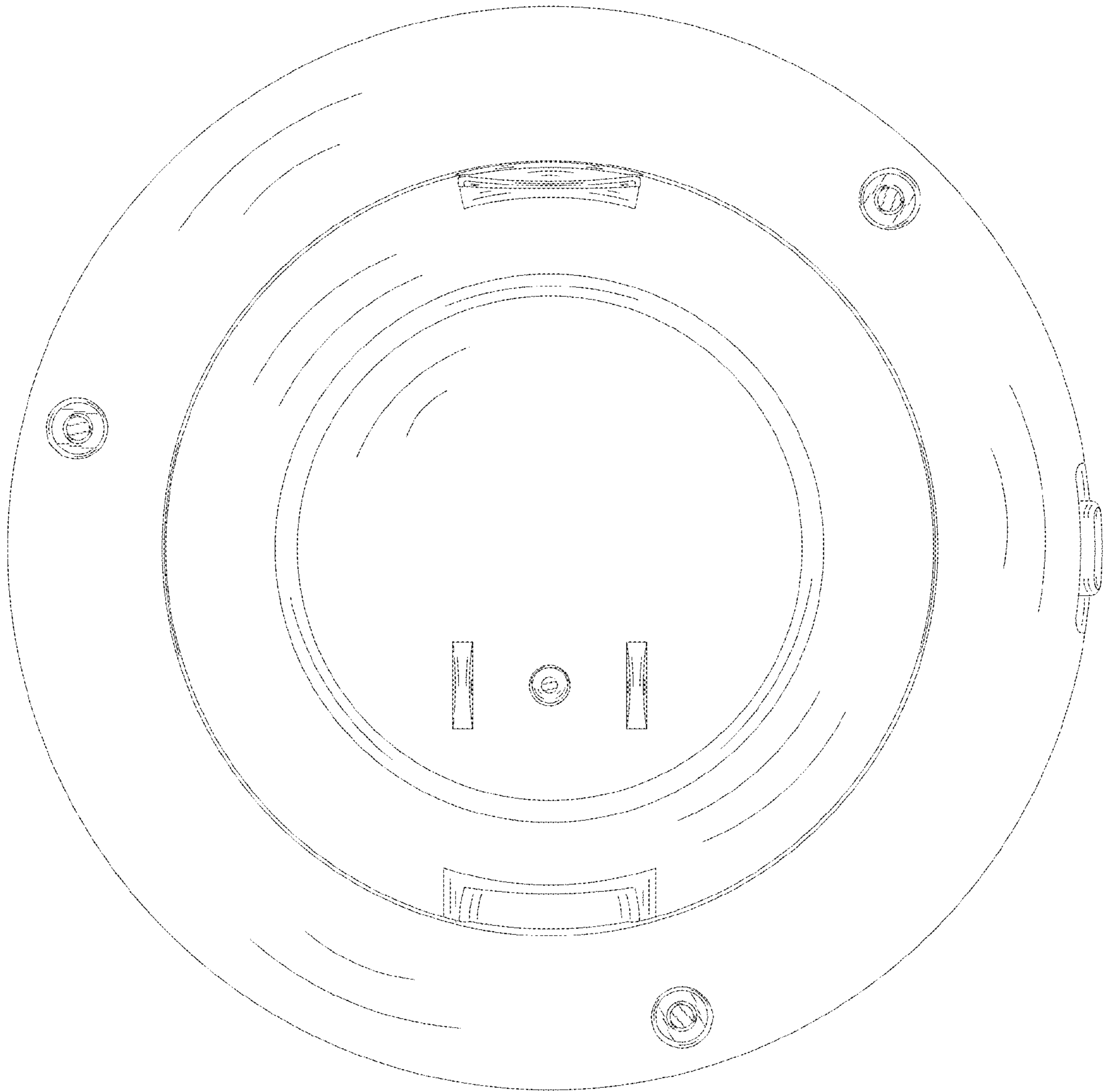


FIG. 6

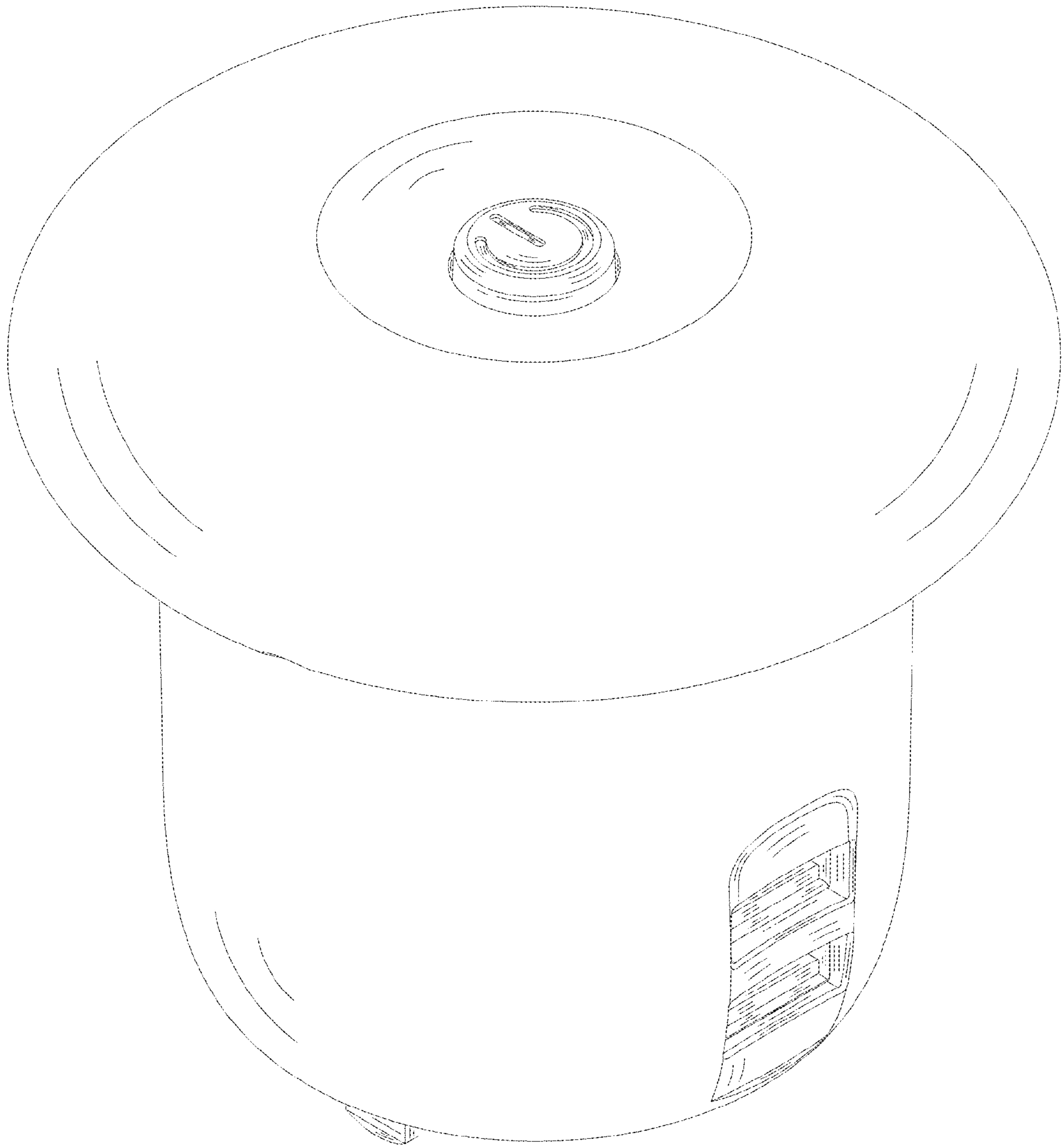


FIG. 7

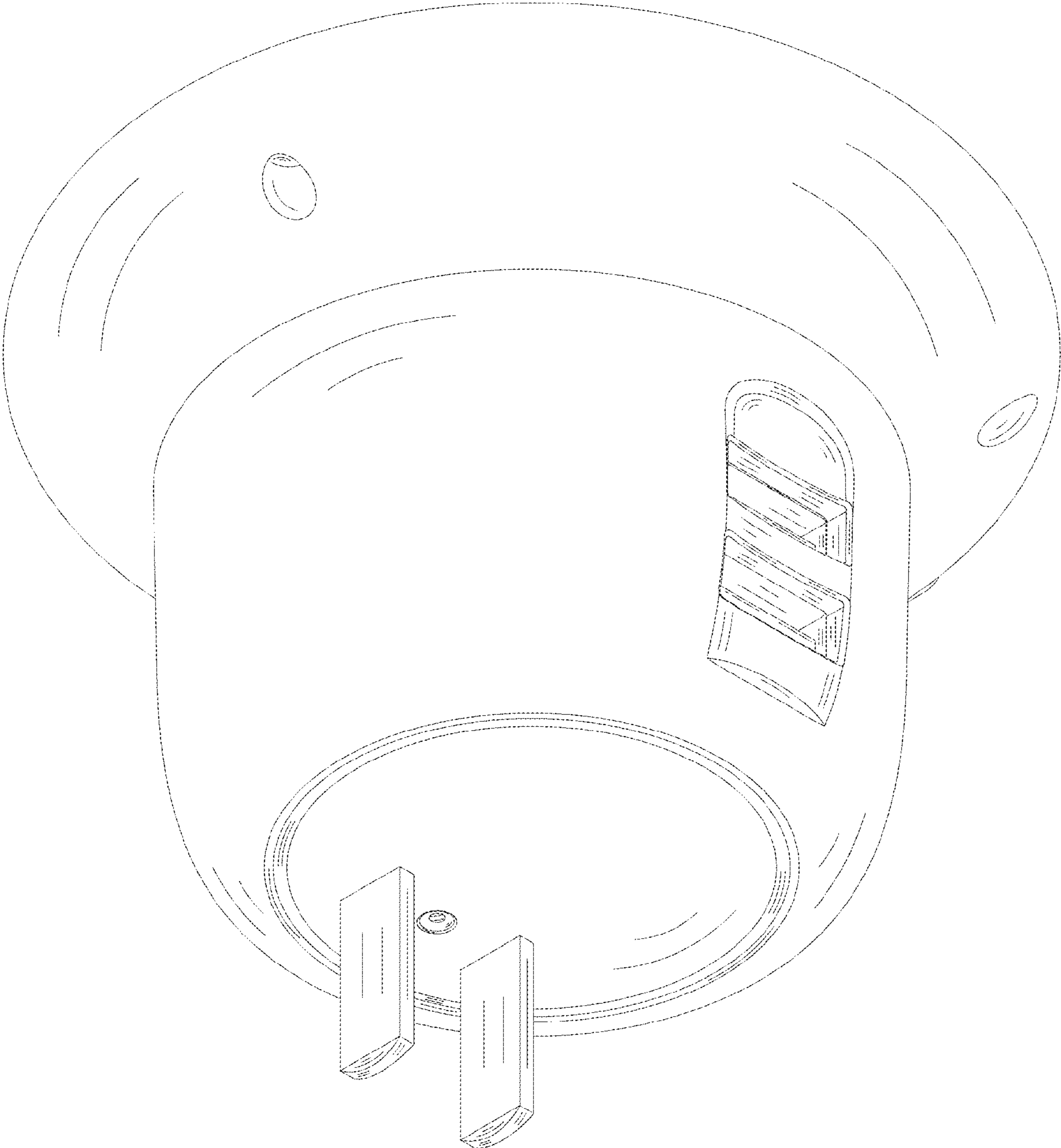


FIG. 8