



US00D877365S

(12) **United States Design Patent**
Månsson

(10) **Patent No.:** **US D877,365 S**

(45) **Date of Patent:** **** Mar. 3, 2020**

- (54) **PROFILE RAIL PORTION**
- (71) Applicant: **Movomech AB**, Kristianstad (SE)
- (72) Inventor: **Emil Månsson**, Tollarp (SE)
- (73) Assignee: **MOVOMECH AB**, Kristianstad (SE)
- (**) Term: **15 Years**

| | | | | |
|-------------------|---------|-------------|-------|-----------|
| D574,509 S * | 8/2008 | Koch | | B66C 7/02 |
| | | | | D25/38.1 |
| 7,976,257 B2 * | 7/2011 | Kufner | | F16B 5/02 |
| | | | | 411/84 |
| D653,773 S * | 2/2012 | Sutton | | D25/121 |
| D802,167 S * | 11/2017 | Gyetvai | | D25/119 |
| D810,962 S * | 2/2018 | McGowan | | D25/119 |
| D811,626 S * | 2/2018 | Sparks | | D25/121 |
| D812,782 S * | 3/2018 | Dorman | | D25/119 |
| 2010/0126097 A1 * | 5/2010 | Powers, III | | E04C 3/07 |
| | | | | 52/481.1 |

(21) Appl. No.: **29/653,556**

(22) Filed: **Jun. 15, 2018**

(30) **Foreign Application Priority Data**

Dec. 22, 2017 (EM) 004562114

(51) **LOC (12) Cl.** **25-02**

(52) **U.S. Cl.**
USPC **D25/38.1**

(58) **Field of Classification Search**

USPC D25/119-125, 38.1; 256/65.02, 65.03,
256/65.04, 65.07, 65.11, 65.15, 65.16;
411/84; 52/287.1, 481.1

CPC E04F 11/166; E04F 11/163; E04F 11/104;
B66C 13/12; B66C 7/08; A47F 5/0838;
E04C 2003/0439; E04C 2003/0465; F16B
7/187; E06B 1/18

See application file for complete search history.

(56) **References Cited**

U.S. PATENT DOCUMENTS

- 5,406,762 A * 4/1995 Buard H02G 3/0418
52/287.1
- D360,728 S * 7/1995 Nozaki D25/119

* cited by examiner

Primary Examiner — Gino Colan

(74) *Attorney, Agent, or Firm* — Nixon & Vanderhye P.C.

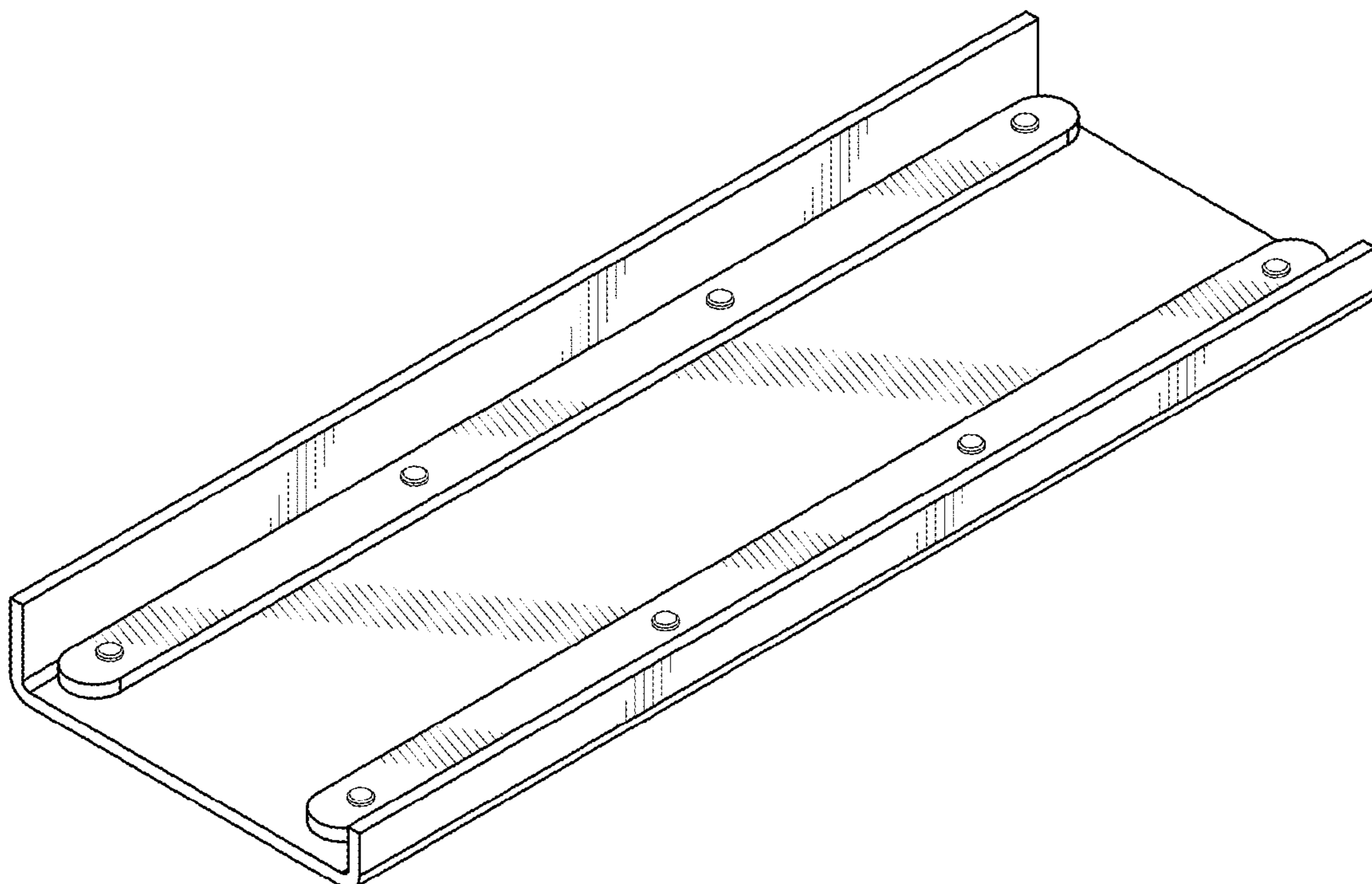
(57) **CLAIM**

The ornamental design for profile rail portion, as shown and described.

DESCRIPTION

FIG. 1 is a top perspective view of a profile rail portion showing my new design;
 FIG. 2 is a front view thereof;
 FIG. 3 is a rear view thereof;
 FIG. 4 is a top plan view thereof;
 FIG. 5 is a bottom view thereof;
 FIG. 6 is a right side view thereof;
 FIG. 7 is a left side view thereof; and,
 FIG. 8 is a bottom perspective view thereof.

1 Claim, 3 Drawing Sheets



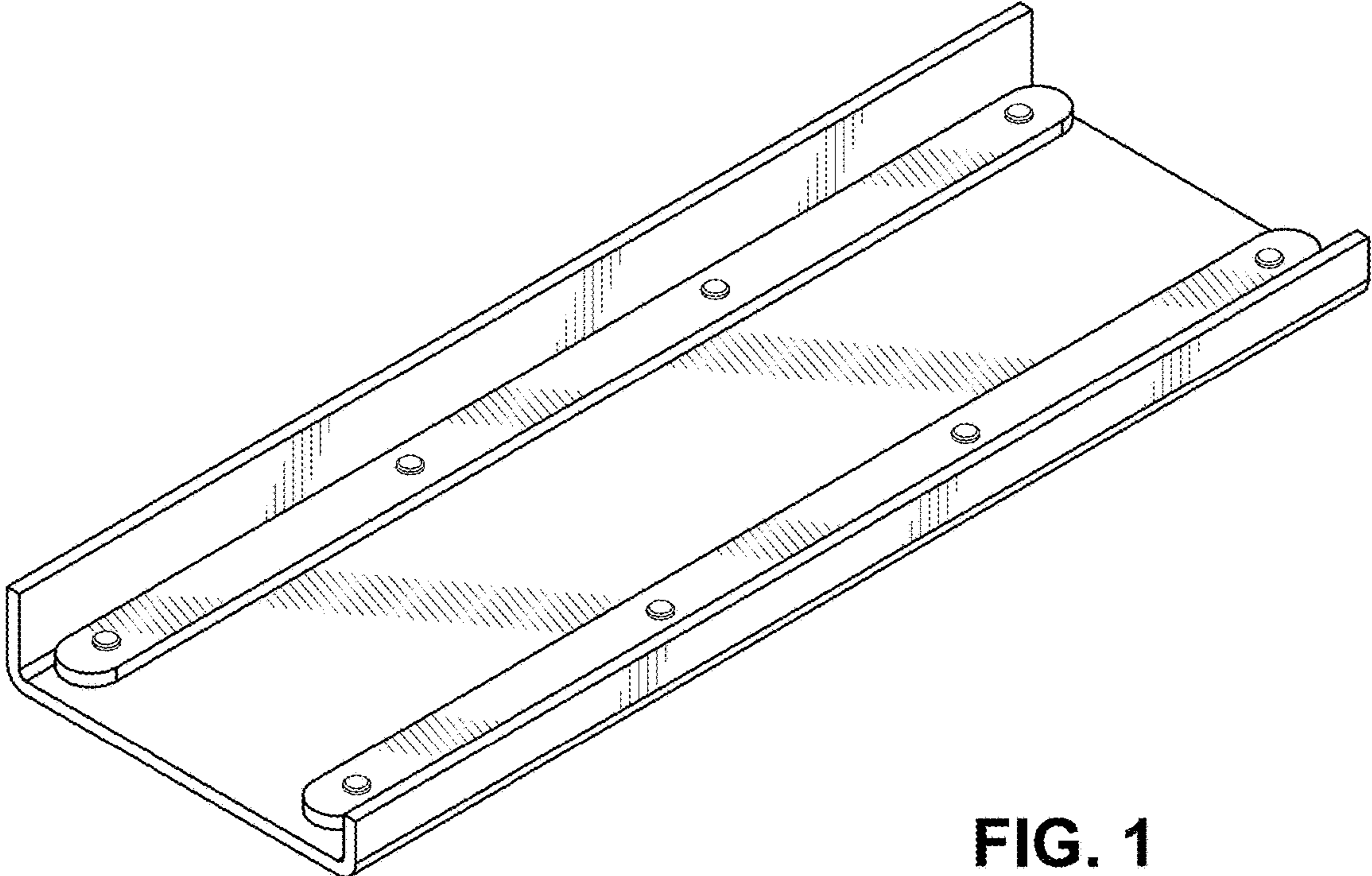


FIG. 1

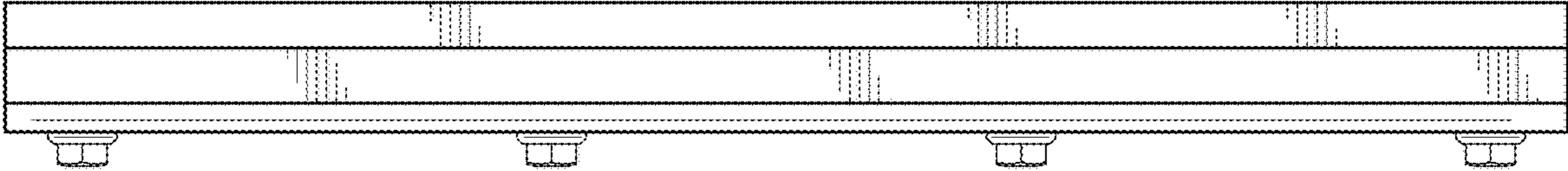


FIG. 2

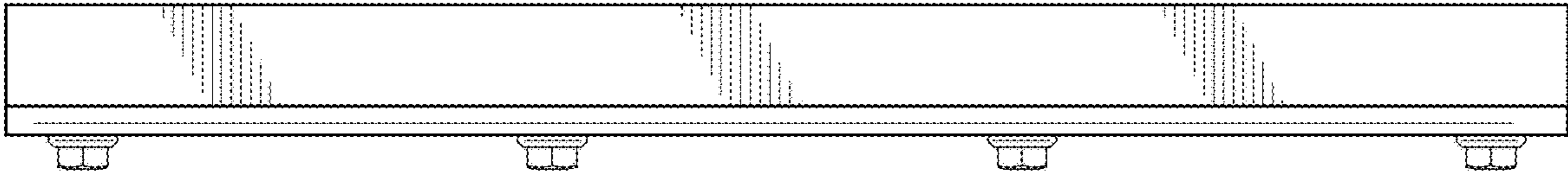


FIG. 3

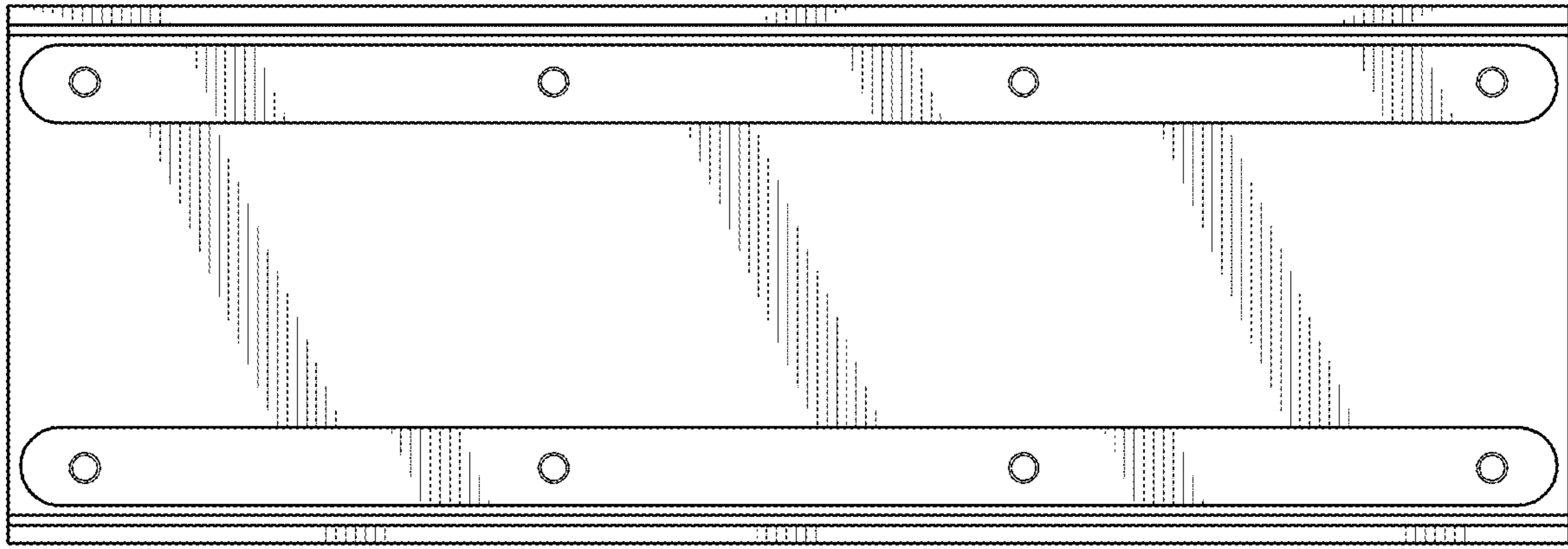


FIG. 4

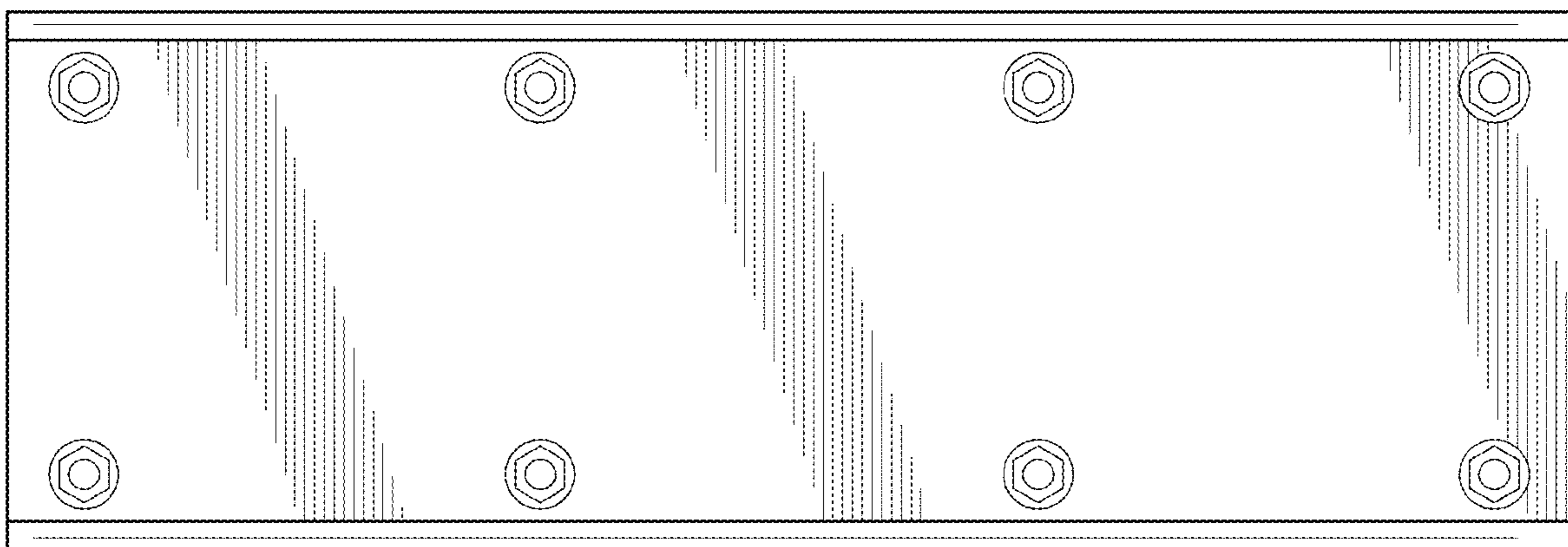


FIG. 5

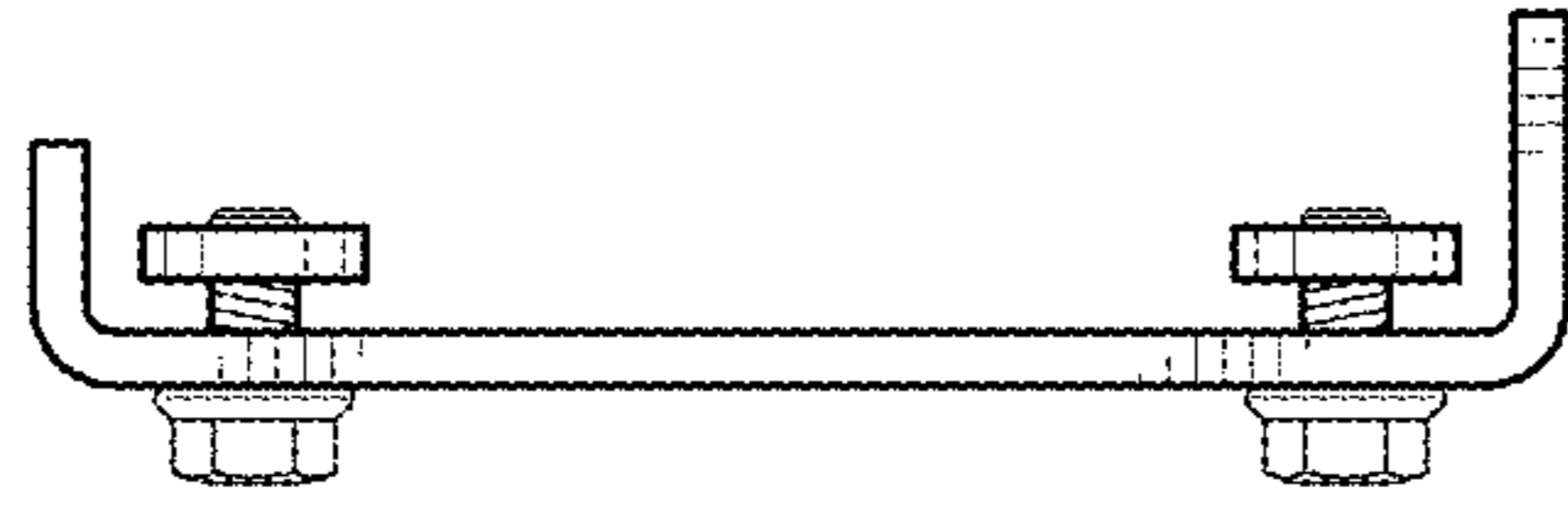


FIG. 6

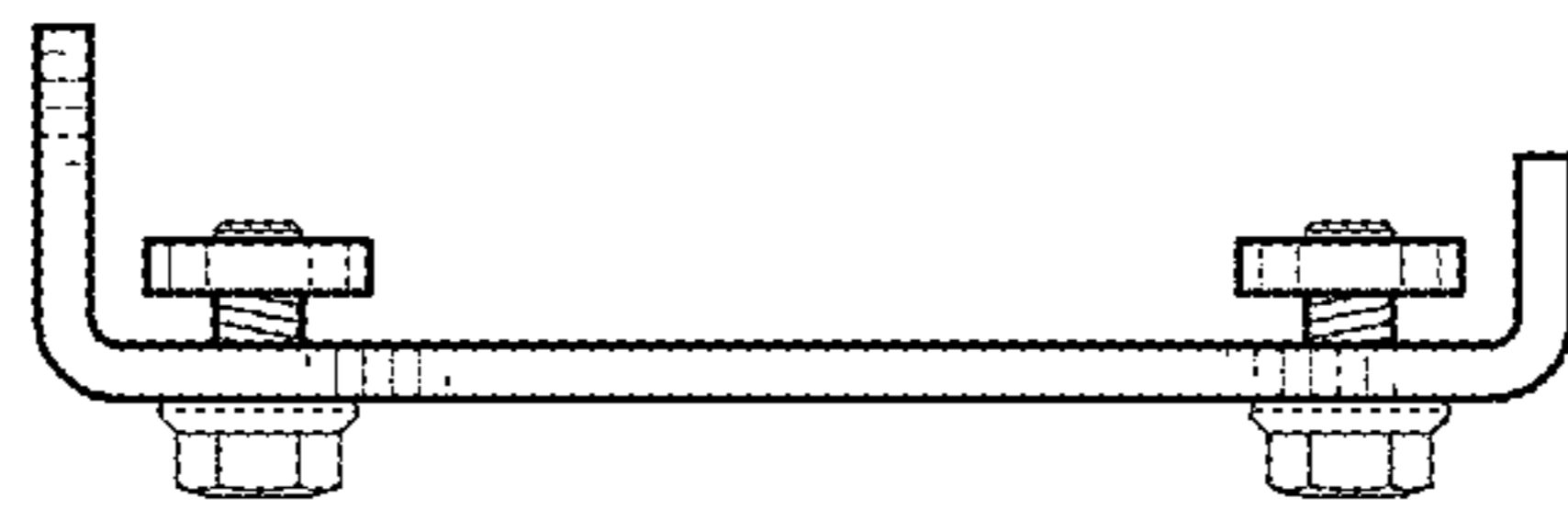


FIG. 7

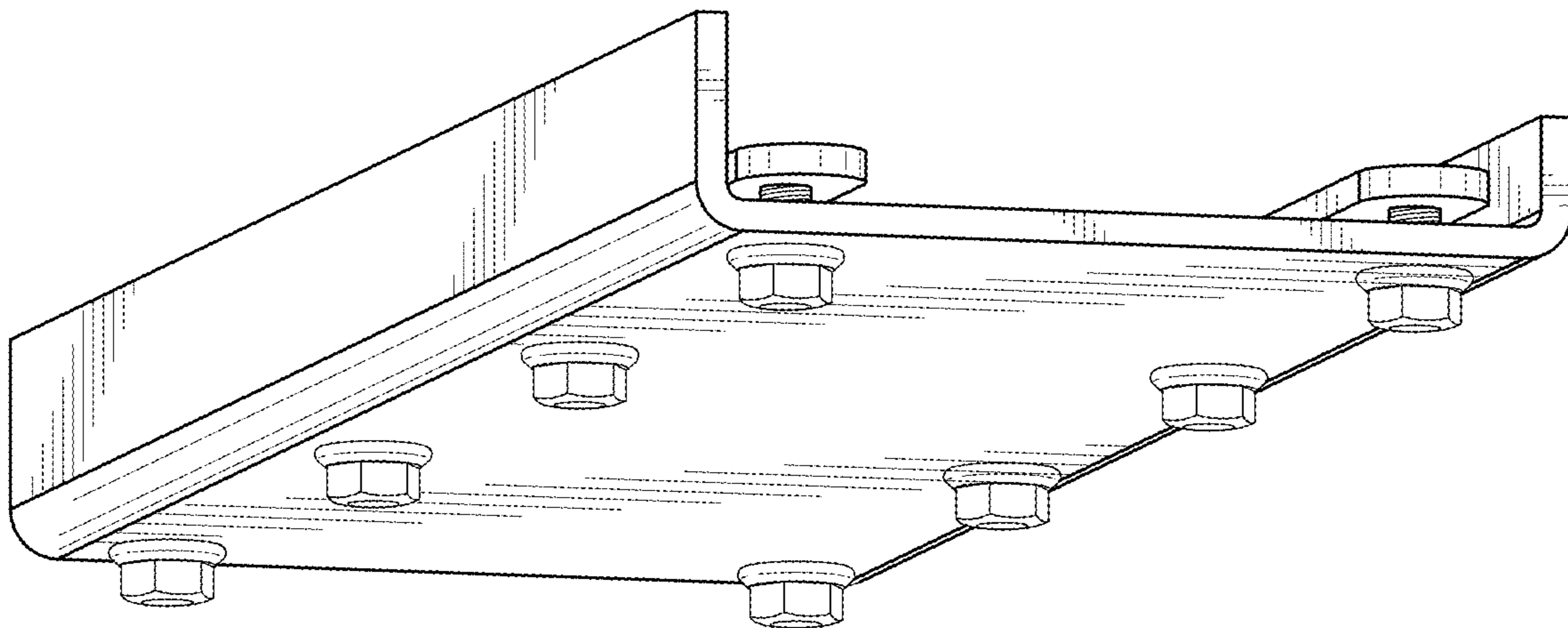


FIG. 8