



US00D877364S

(12) **United States Design Patent** (10) **Patent No.:** **US D877,364 S**
Carter (45) **Date of Patent:** **** Mar. 3, 2020**

(54) **FENCE PANEL FRAME**
(71) Applicant: **Glamagard Pty Ltd**, Fyshwick (AU)
(72) Inventor: **John Carter**, Fyshwick (AU)
(73) Assignee: **Glamagard Pty Ltd**, Fyshwick (AU)
(**) Term: **15 Years**
(21) Appl. No.: **29/647,757**
(22) Filed: **May 15, 2018**

D739,042 S * 9/2015 Campbell D25/124
D852,378 S * 6/2019 Springborn D25/38.1
2019/0145125 A1* 5/2019 Carter E04H 17/168
256/31

(30) **Foreign Application Priority Data**
Nov. 15, 2017 (AU) 201716953
(51) **LOC (12) Cl.** **25-01**
(52) **U.S. Cl.**
USPC **D25/38.1**; D25/124
(58) **Field of Classification Search**
USPC D25/38.1, 60, 119–126, 131, 132, 164,
D25/199
CPC E04H 17/063; E04H 17/14; E04H 17/16;
E04H 17/20; E04H 17/163; E04H 17/168;
E04H 17/1404; E04H 17/1413; E04H
17/1417; E04H 17/1421; E04H
2017/1447; E04H 2017/1456; E04F
19/02; E04F 19/022; E04F 19/026; E04F
19/028; E04F 19/04; E04F 19/0486; E04F
19/06; E04F 19/061; E04F 19/062; E04F
19/065; E04F 19/066; E04F 19/067
See application file for complete search history.

OTHER PUBLICATIONS

DIY Aluminum Drop Down Fencing <http://www.diyaluminium.com/au/drop-down-slat-fencing-privacy-screens/> available Dec. 22, 2017 (Year: 2017).*
KnotWood Tech Manual <https://knotwood.com/wp-content/uploads/2014/12/Tech-Manual-KWUSA.pdf> last modified Dec. 11, 2017 (Year: 2017).*

* cited by examiner

Primary Examiner — Leanne Was-Englehart
(74) *Attorney, Agent, or Firm* — Fitch Even Tabin & Flannery LLP

(57) **CLAIM**

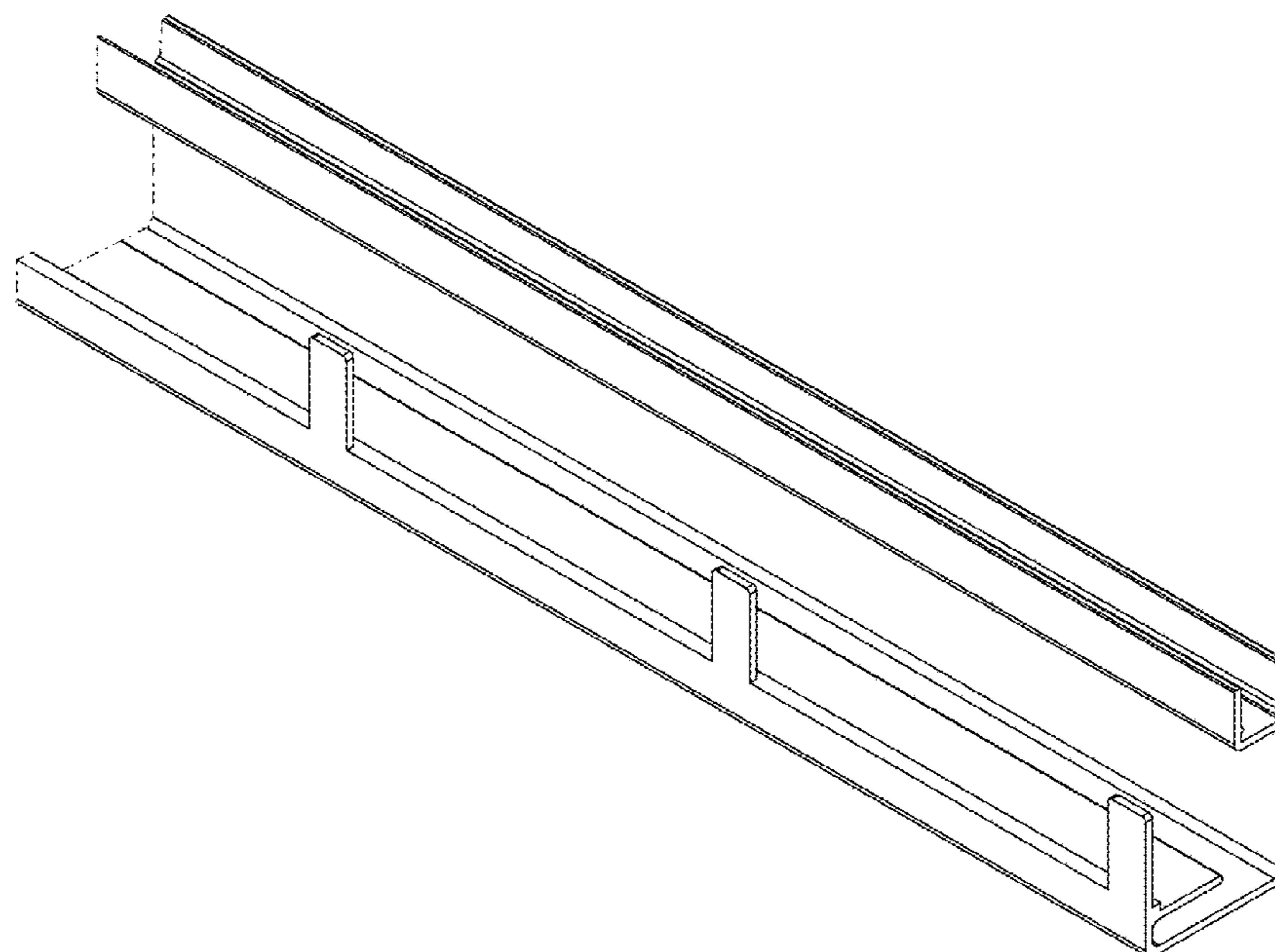
The ornamental design for a fence panel frame, as shown and described.

DESCRIPTION

FIG. 1 is a perspective view of a fence panel frame in accordance with my new design;
FIG. 2 is a top plan view thereof;
FIG. 3 is a bottom plan view thereof;
FIG. 4 is a left side elevation view thereof;
FIG. 5 is a right side elevation view thereof; and,
FIG. 6 is an enlarged front elevation view thereof, the rear elevation view being a mirror image thereof.
The dot-dash broken lines depict the bounds of the Claim and form no part of the claimed design.

1 Claim, 6 Drawing Sheets

(56) **References Cited**
U.S. PATENT DOCUMENTS
D245,019 S * 7/1977 Ashworth D25/132
D404,151 S * 1/1999 Reichel D25/131



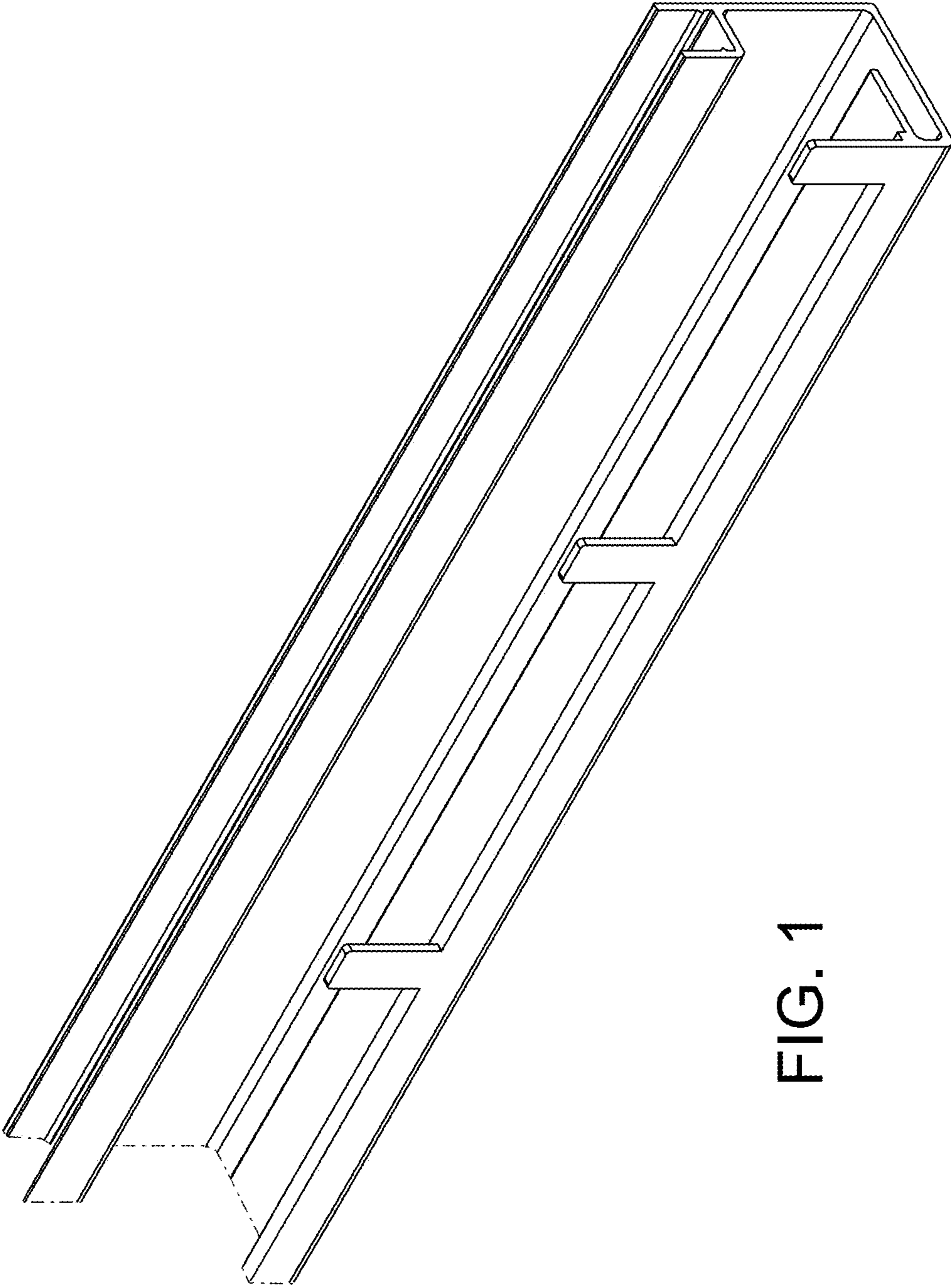


FIG. 1

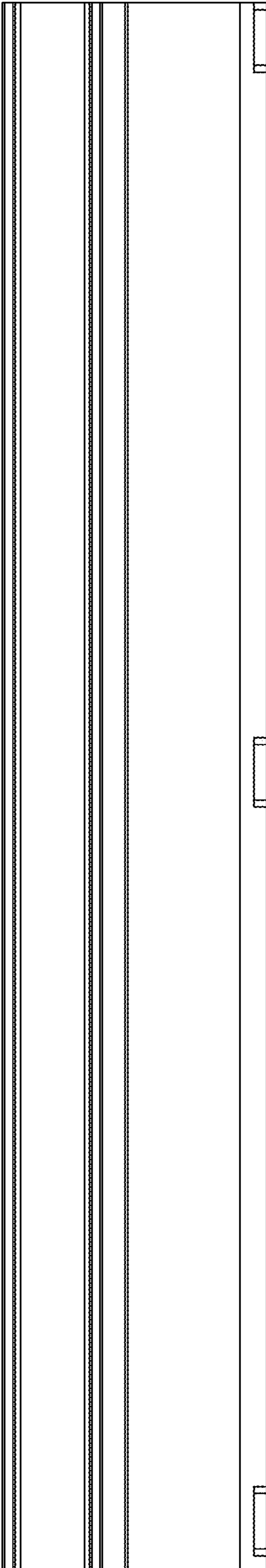


FIG. 2

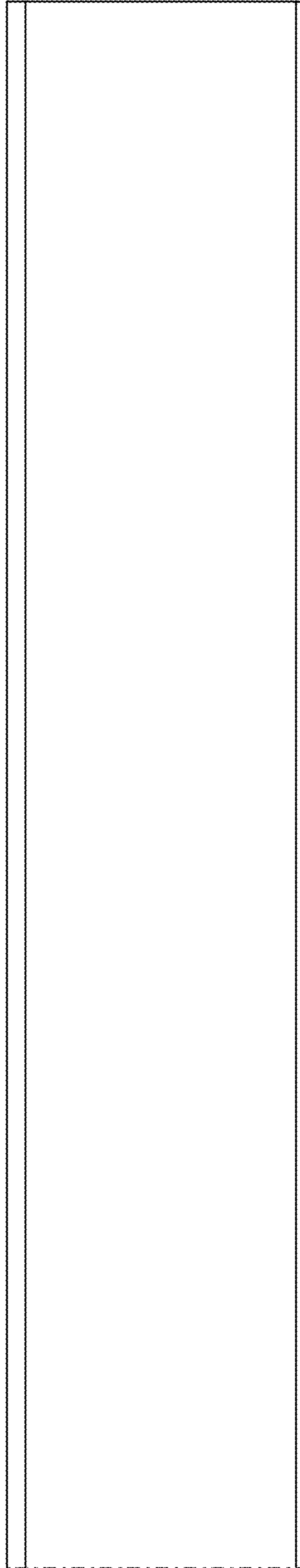


FIG. 3

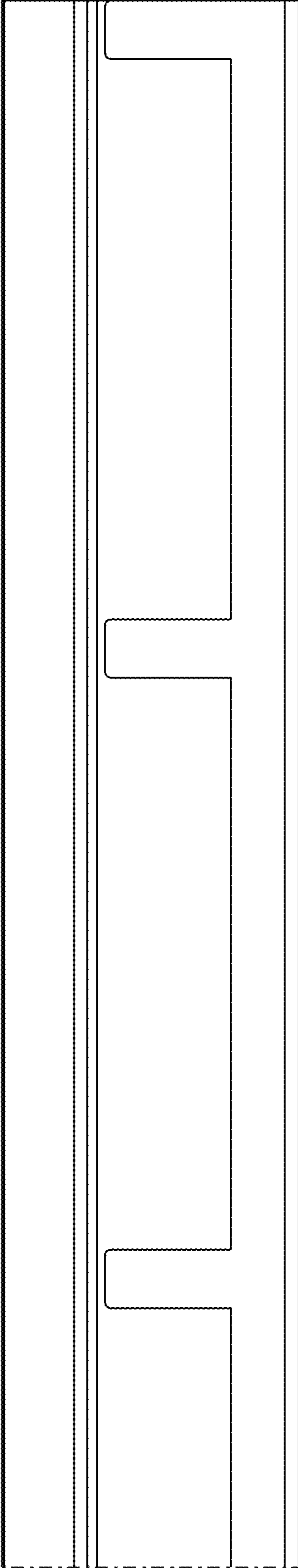


FIG. 4

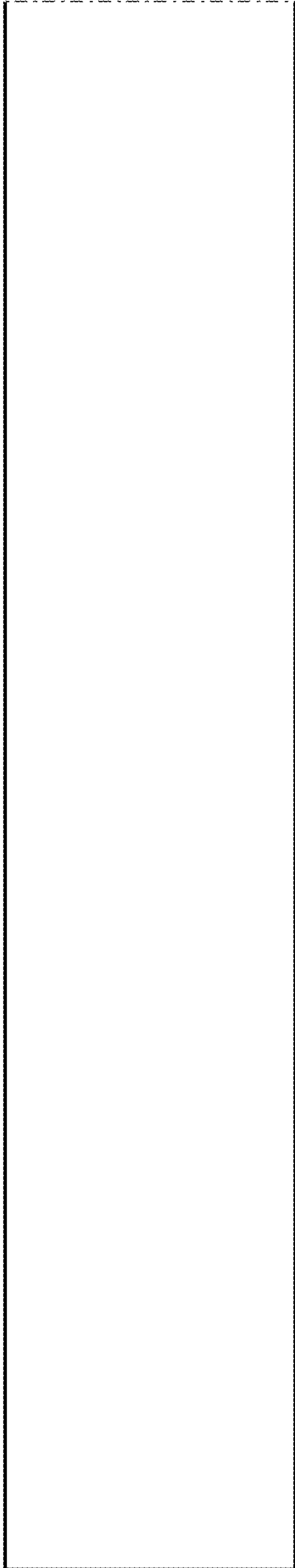


FIG. 5

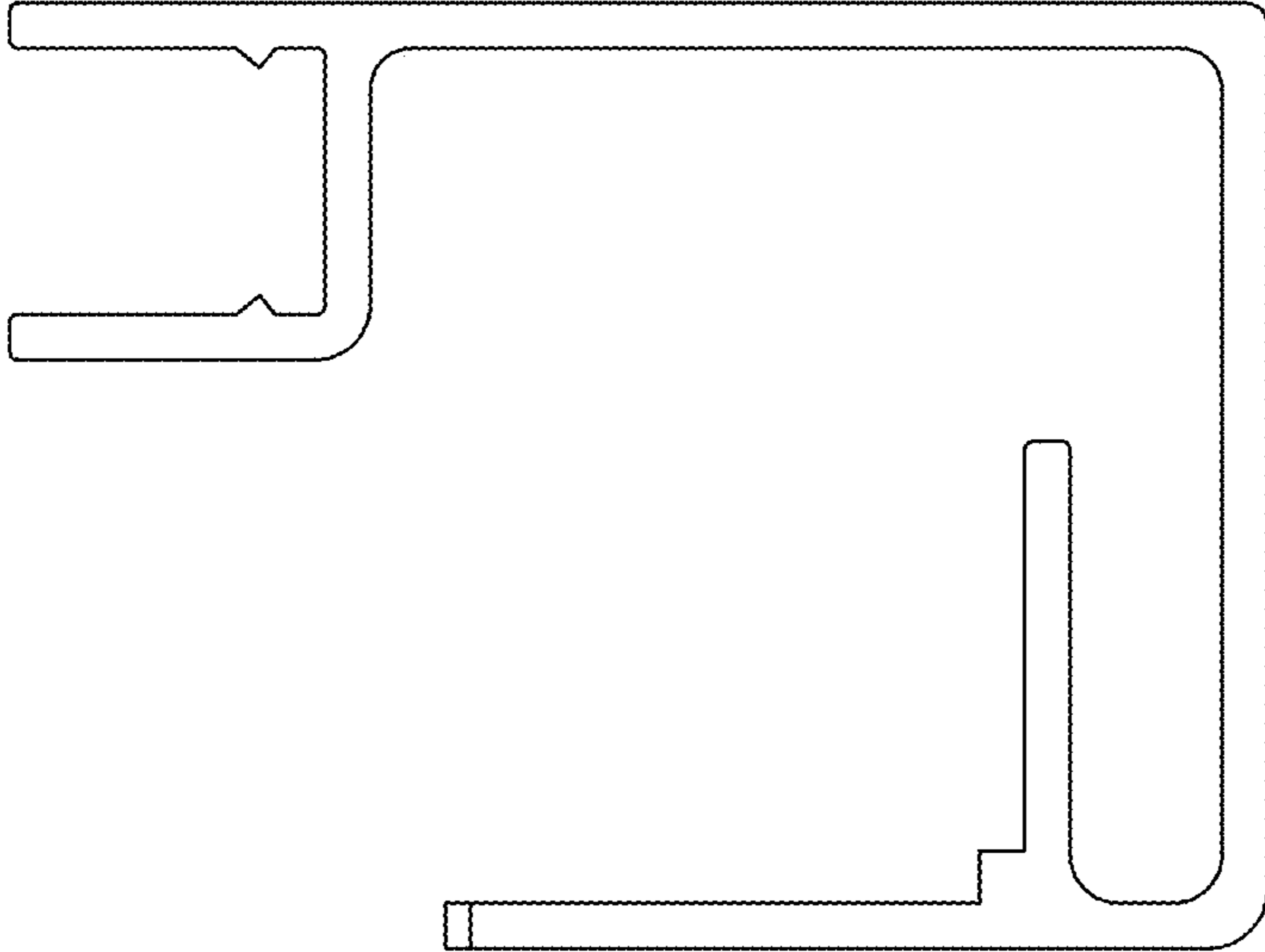


FIG. 6