



US00D877363S

(12) **United States Design Patent**
Diserio

(10) **Patent No.:** **US D877,363 S**
(45) **Date of Patent:** **** Mar. 3, 2020**

(54) **DECK SKIRT**

FOREIGN PATENT DOCUMENTS

(71) Applicant: **Lucas Diserio**, Wellsburg, WV (US)

JP D1326547 * 4/2008

(72) Inventor: **Lucas Diserio**, Wellsburg, WV (US)

OTHER PUBLICATIONS

(73) Assignee: **American Muscle Docks & Fabrication LLC**, Wellsburg, WV (US)

American Muscle Docks & Fabrication American Muscle Docks & Fabrication _ Facebook <https://www.facebook.com/americanmuscle docks/photos/a.193245904135332/597980553661863/?type=3> Oct. 24, 2014 (Year: 2014).*

(**) Term: **15 Years**

(Continued)

(21) Appl. No.: **29/650,714**

Primary Examiner — Leanne Was-Englehart

(22) Filed: **Jun. 8, 2018**

(74) Attorney, Agent, or Firm — Alvin T. Rockhill

Related U.S. Application Data

(62) Division of application No. 29/565,629, filed on May 23, 2016, now Pat. No. Des. 823,481.

(51) **LOC (12) Cl.** **25-02**

(52) **U.S. Cl.**
USPC **D25/32**

(58) **Field of Classification Search**
USPC D12/316, 317, 318; D25/32, 35, 55, 61, D25/66

CPC E04B 1/10; E04B 7/02; E04B 7/06; E04B 7/063; E04C 3/42; F16B 15/0046; Y10T 403/4605

See application file for complete search history.

(57) **CLAIM**

The ornamental design for a deck skirt, as shown and described.

DESCRIPTION

FIG. 1 is a perspective view of a deck skirt of my new design;

FIG. 2 is a magnified view of area 2 as shown in FIG. 1; FIG. 3 is a front view of the deck skirt as illustrated in FIG. 1;

FIG. 4 is a back view of the deck skirt as illustrated in FIG. 1;

FIG. 5 is a left side view of the deck skirt as illustrated in FIG. 1; and,

FIG. 6 is a right side view of the deck skirt as illustrated in FIG. 1.

The subject matter shown in broken lines does not constitute any part of the claimed design. The evenly spaced broken lines depict portions of the deck skirt that form no part of the claimed design. The unevenly spaced broken lines depict the limits of the enlarged view. The break lines in the figures represent the bounds of the Claim.

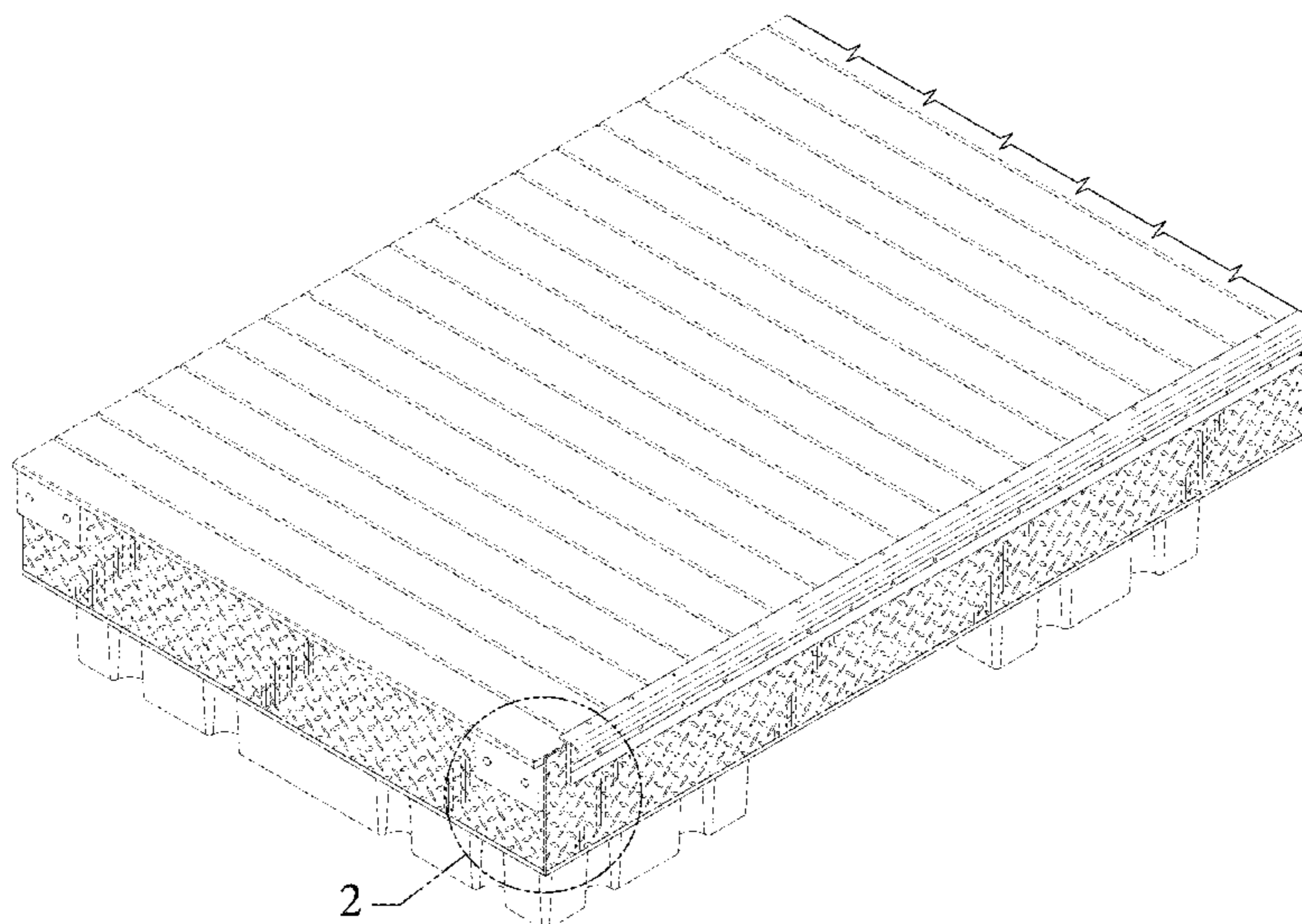
(56) **References Cited**

U.S. PATENT DOCUMENTS

- 4,096,670 A * 6/1978 Fuller E04B 1/10 52/92.2
- 4,260,293 A * 4/1981 Peterson E02B 3/064 114/267
- D333,707 S * 3/1993 Cerbone D25/138
- 5,205,087 A * 4/1993 Jines E04H 3/28 52/126.5
- D502,271 S * 2/2005 Stensrud D25/61
- D510,062 S * 9/2005 McCormack D12/316
- D586,479 S * 2/2009 Hockemeyer D25/126

(Continued)

1 Claim, 4 Drawing Sheets



(56)

References Cited

U.S. PATENT DOCUMENTS

D586,480 S * 2/2009 Hockemeyer D25/126
D608,459 S * 1/2010 Wyse D25/35
8,769,908 B1 * 7/2014 Santini E04C 2/38
446/123
D737,464 S * 8/2015 Edlington D25/62
D781,453 S * 3/2017 Gomez D25/68
D823,481 S * 7/2018 Diserio D25/32

OTHER PUBLICATIONS

Boat Docks—Flotation Marine Hardware American Muscle Docks

[https://web.archive.org/web/20150118100316/http://](https://web.archive.org/web/20150118100316/http://americanmuscledocks.com/)

americanmuscledocks.com/ Jan. 18, 2015 (Year: 2015).*

Boat docks donated to Brooke Hills in memory of former park manager WTOV <https://wtov9.com/news/local/boat-docks-donated-to-brooke-hills-in-memory-of-former-park-manager-8-28-2015> Jul. 2, 2015 (Year: 2015).*

Dock Siding American Muscle Docks & Fabrication <https://web.archive.org/web/20150909231323/https://americanmuscledocks.com/pages/dock-siding> Sep. 9, 2015 (Year: 2015).*

Which one fits your style American Muscle Docks & Fabrication Facebook <https://www.facebook.com/americanmuscledocks/photos/a.193245904135332/559625910830661/?type=3> Aug. 15, 2014 (Year: 2014).*

* cited by examiner

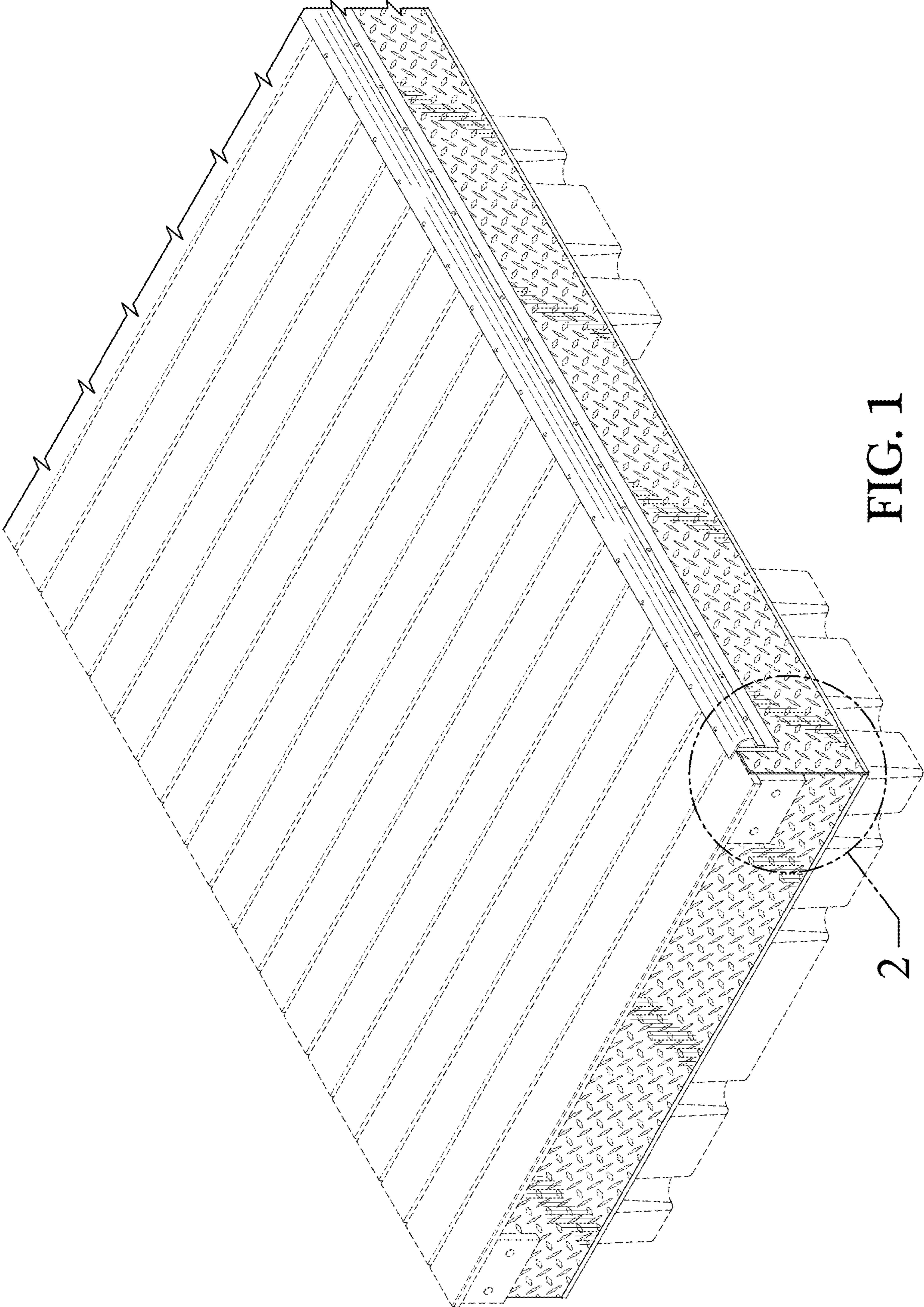


FIG. 1

2

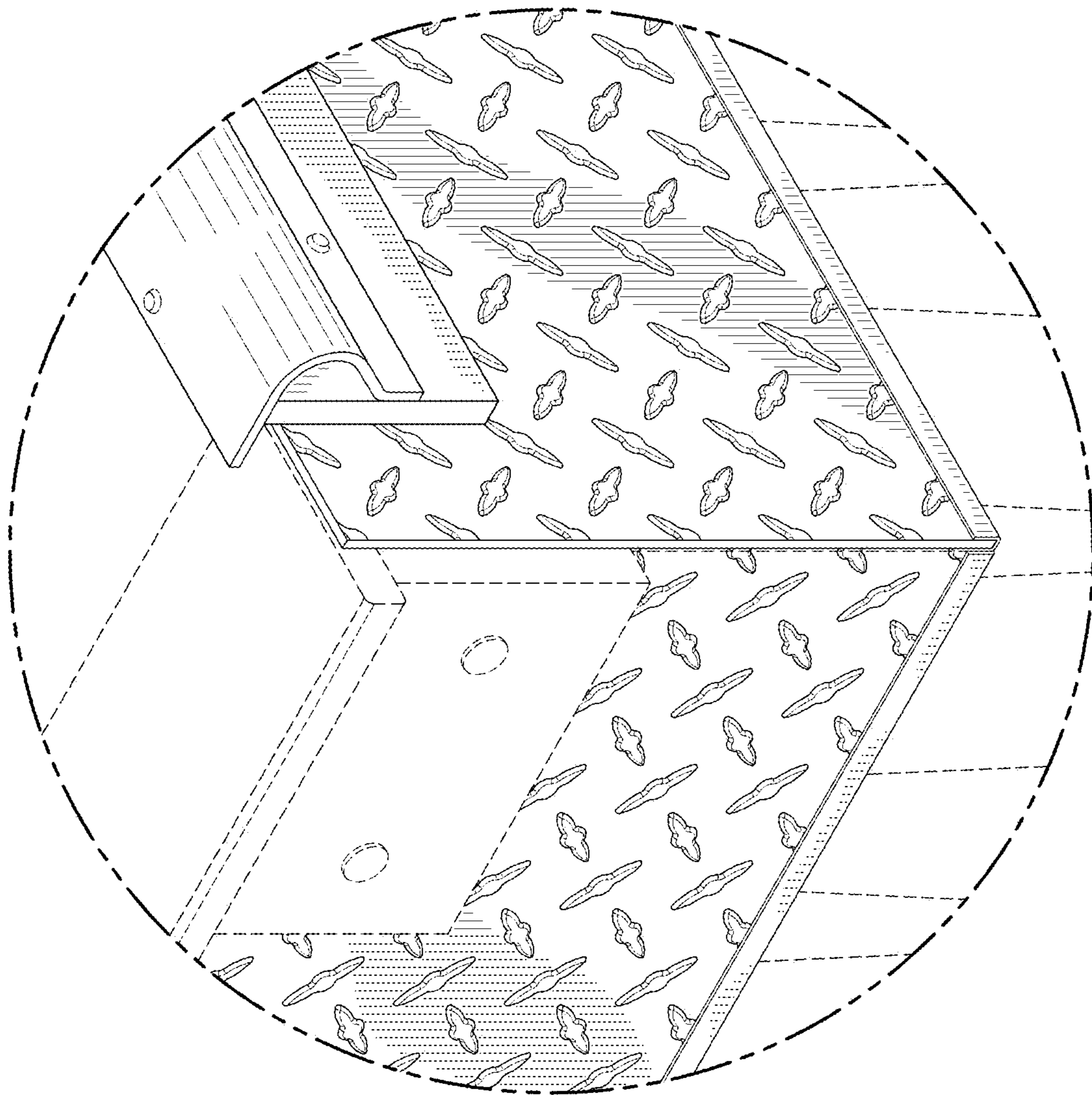


FIG. 2

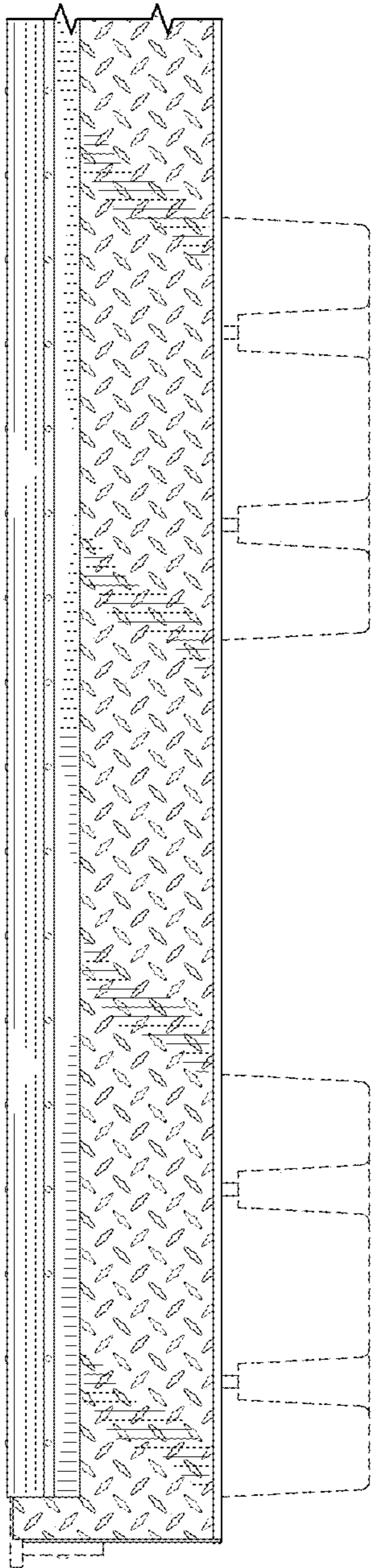


FIG. 3

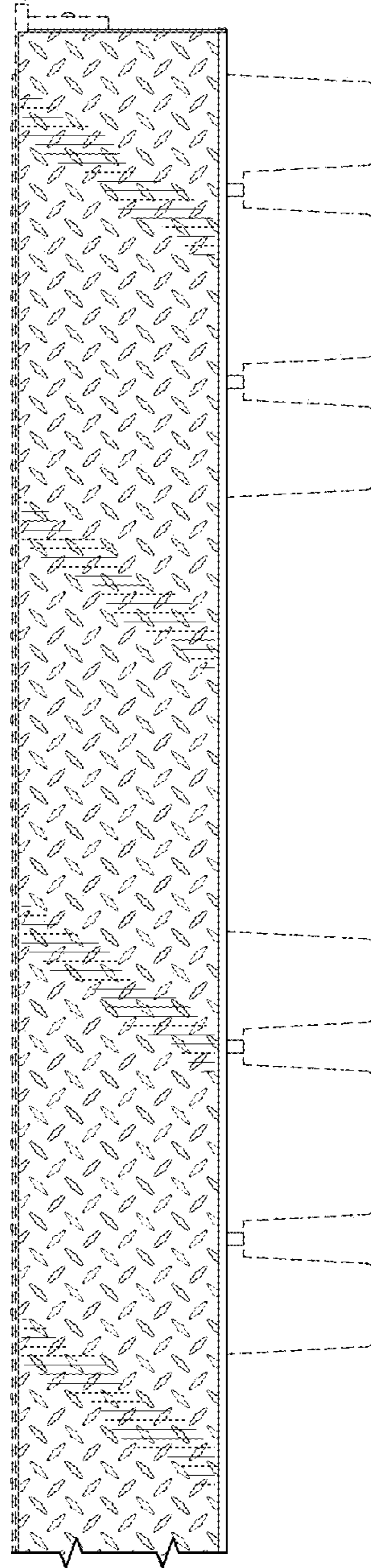


FIG. 4

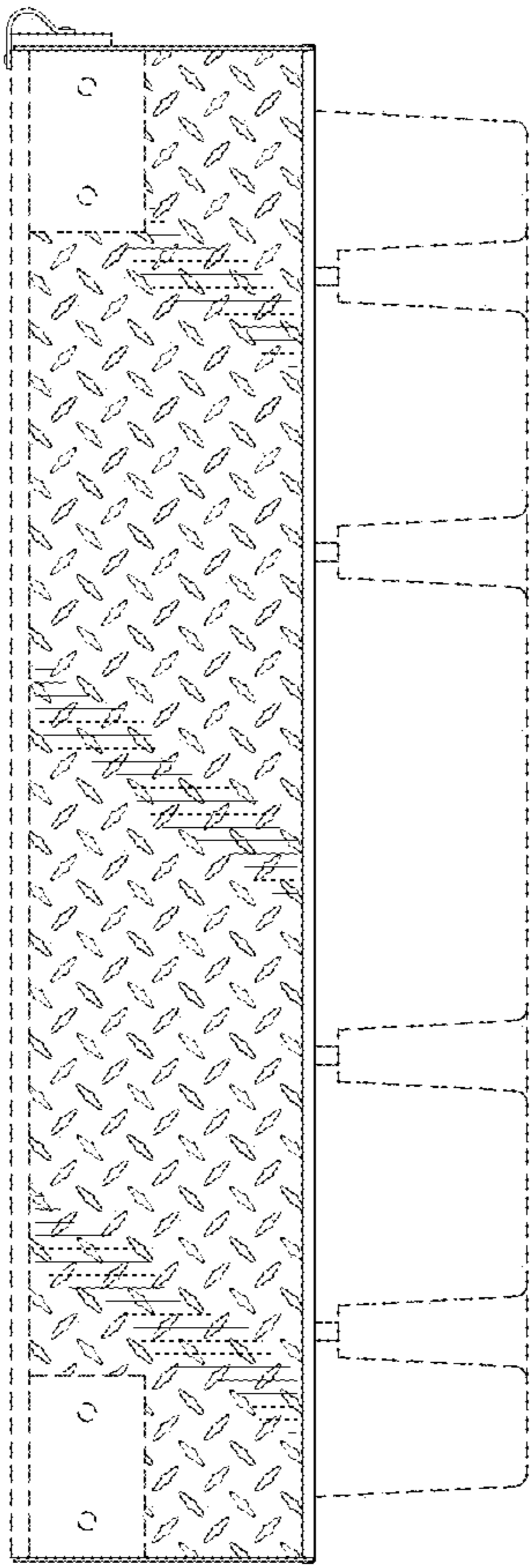


FIG. 5

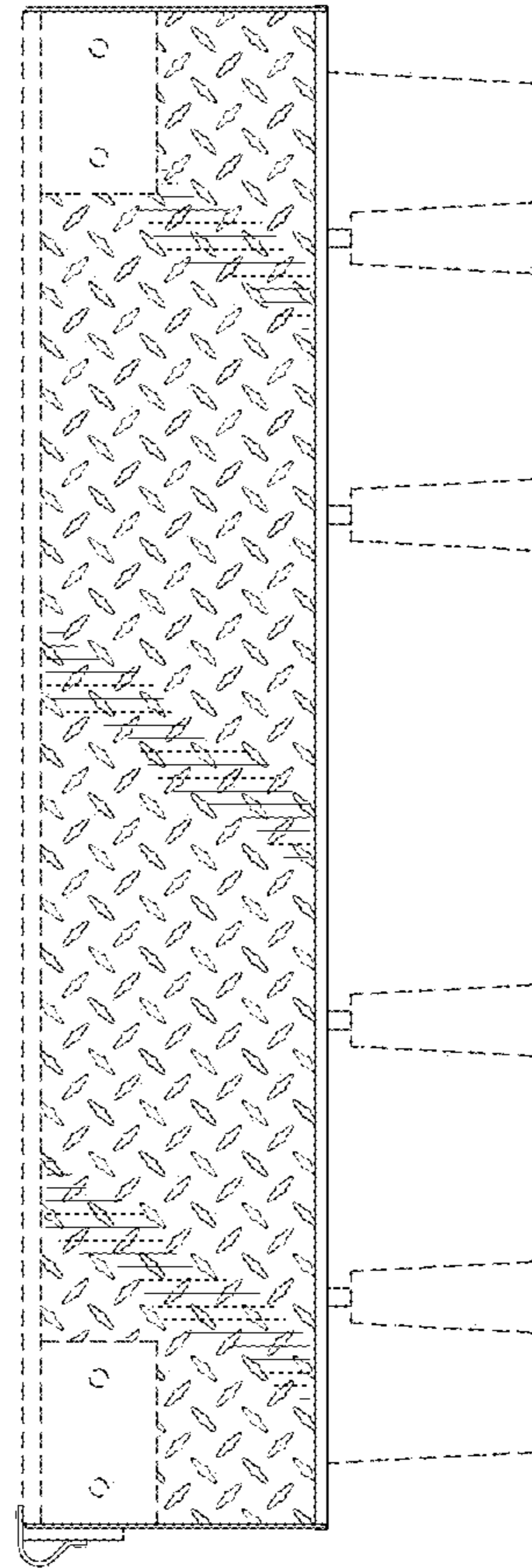


FIG. 6