



US00D877362S

(12) **United States Design Patent**
Schneider et al.

(10) **Patent No.:** **US D877,362 S**
(45) **Date of Patent:** **** Mar. 3, 2020**

(54) **OBSERVATION AND STORAGE BUILDING**

(71) Applicant: **Concept Works, Inc.**, Elkhart Lake, WI (US)

(72) Inventors: **Adam J. Schneider**, Howards Grove, WI (US); **Jason T. Gudex**, Howards Grove, WI (US); **Jason M. Schneider**, St. Nazianz, WI (US)

(73) Assignee: **Concept Works, Inc.**, Elkhart Lake, WI (US)

(**) Term: **15 Years**

(21) Appl. No.: **29/658,406**

(22) Filed: **Jul. 31, 2018**

(51) **LOC (12) Cl.** **25-03**

(52) **U.S. Cl.**
USPC **D25/16**

(58) **Field of Classification Search**

USPC D25/1-35, 55-61; D12/315; 114/71
CPC E04H 1/12-1244; E04H 1/00-06; E04H 3/00-10; E04H 3/12; E04H 3/14; E04H 3/22; E04H 3/24-28; E04H 6/00; E04H 6/08; E04H 15/001; E04H 1/005; E04B 1/003

See application file for complete search history.

(56) **References Cited**

U.S. PATENT DOCUMENTS

2,854,705 A * 10/1958 McClaran E04H 15/001 52/206
D192,197 S * 2/1962 Luger D12/315
D232,425 S * 8/1974 Marriner D12/315
3,984,948 A * 10/1976 Bussard E04B 1/3442 D25/33

(Continued)

Primary Examiner — Brett Miller

(74) *Attorney, Agent, or Firm* — Ziolkowski Patent Solutions Group, SC

(57) **CLAIM**

The ornamental design for an observation and storage building, as shown and described herein.

DESCRIPTION

FIG. 1 is a front perspective view of an observation and storage building, in accordance with an embodiment of the invention.

FIG. 2 is a front view of the observation and storage building of FIG. 1.

FIG. 3 is a rear view of the observation and storage building of FIG. 1.

FIG. 4 is a right side view of the observation and storage building of FIG. 1.

FIG. 5 is a left side view of the observation and storage building of FIG. 1.

FIG. 6 is a top view of the observation and storage building of FIG. 1.

FIG. 7 is a bottom view of the observation and storage building of FIG. 1.

FIG. 8 is a front perspective view of the observation and storage building according to a second embodiment of the invention.

FIG. 9 is a front view of the observation and storage building of FIG. 8.

FIG. 10 is a rear view of the observation and storage building of FIG. 8.

FIG. 11 is a right side view of the observation and storage building of FIG. 8.

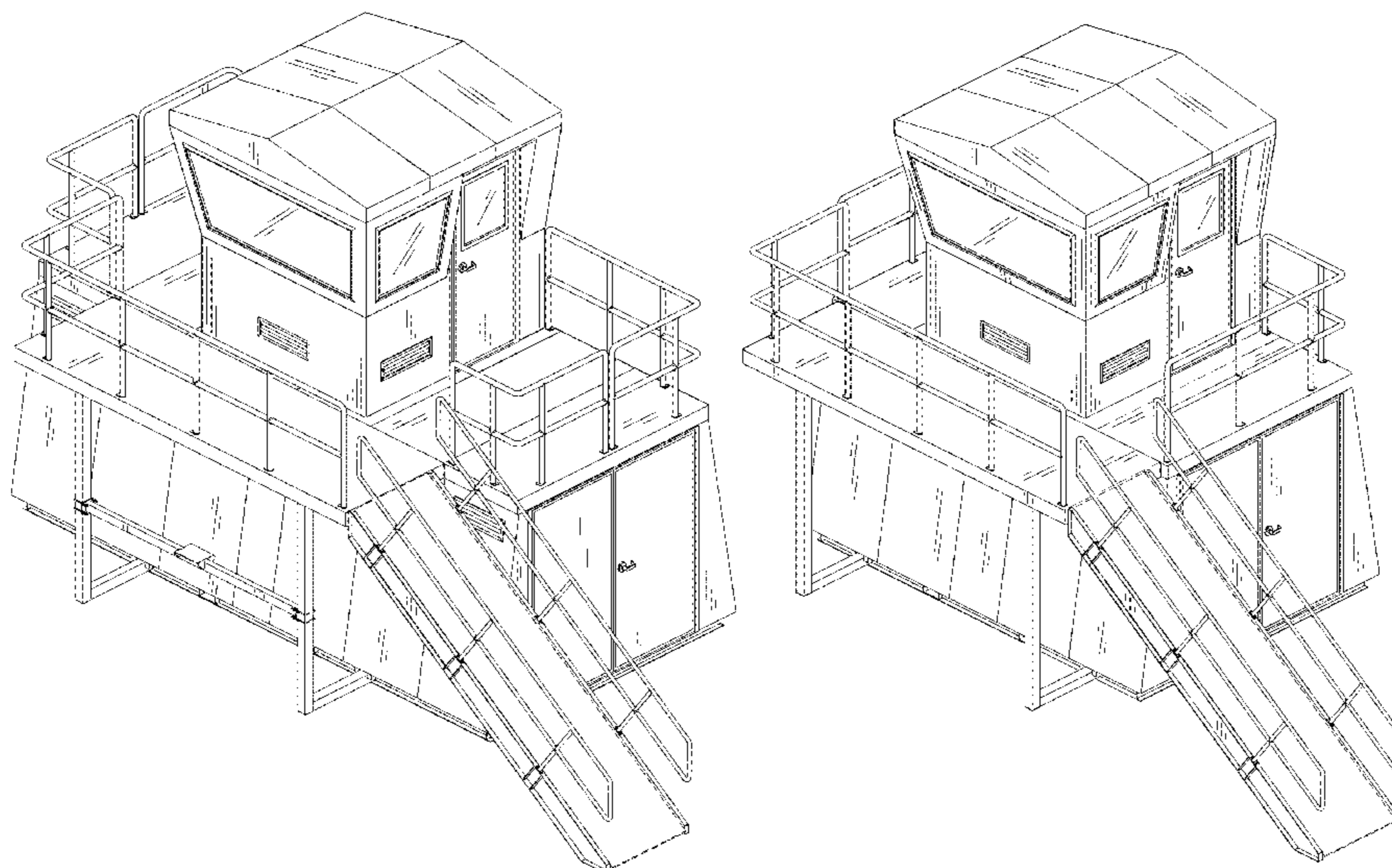
FIG. 12 is a left side view of the observation and storage building of FIG. 8.

FIG. 13 is a top view of the observation and storage building of FIG. 8; and,

FIG. 14 is a bottom view of the observation and storage building of FIG. 8.

The broken lines in the drawing views are included for the purpose of illustrating portions of the observation and storage building that form no part of the claimed design.

1 Claim, 12 Drawing Sheets



(56)

References Cited

U.S. PATENT DOCUMENTS

D261,040 S * 9/1981 Chambers D12/103
4,364,322 A * 12/1982 van Roon B63B 29/02
114/71
4,535,713 A * 8/1985 van Roon B63B 49/00
114/71
4,936,238 A * 6/1990 Childress B63B 3/08
D12/315
D321,941 S * 11/1991 Stollery D25/1
7,913,460 B2 * 3/2011 Stollery E04B 7/163
135/117
8,602,854 B1 * 12/2013 Moore E04H 15/001
454/341
2015/0027067 A1 * 1/2015 Finney E04H 1/12
52/79.5
2015/0282475 A1 * 10/2015 Harris E04H 1/02
52/173.1
2017/0114562 A1 * 4/2017 Oesch E04B 1/34315
2019/0014773 A1 * 1/2019 Lamb E04H 15/001

* cited by examiner

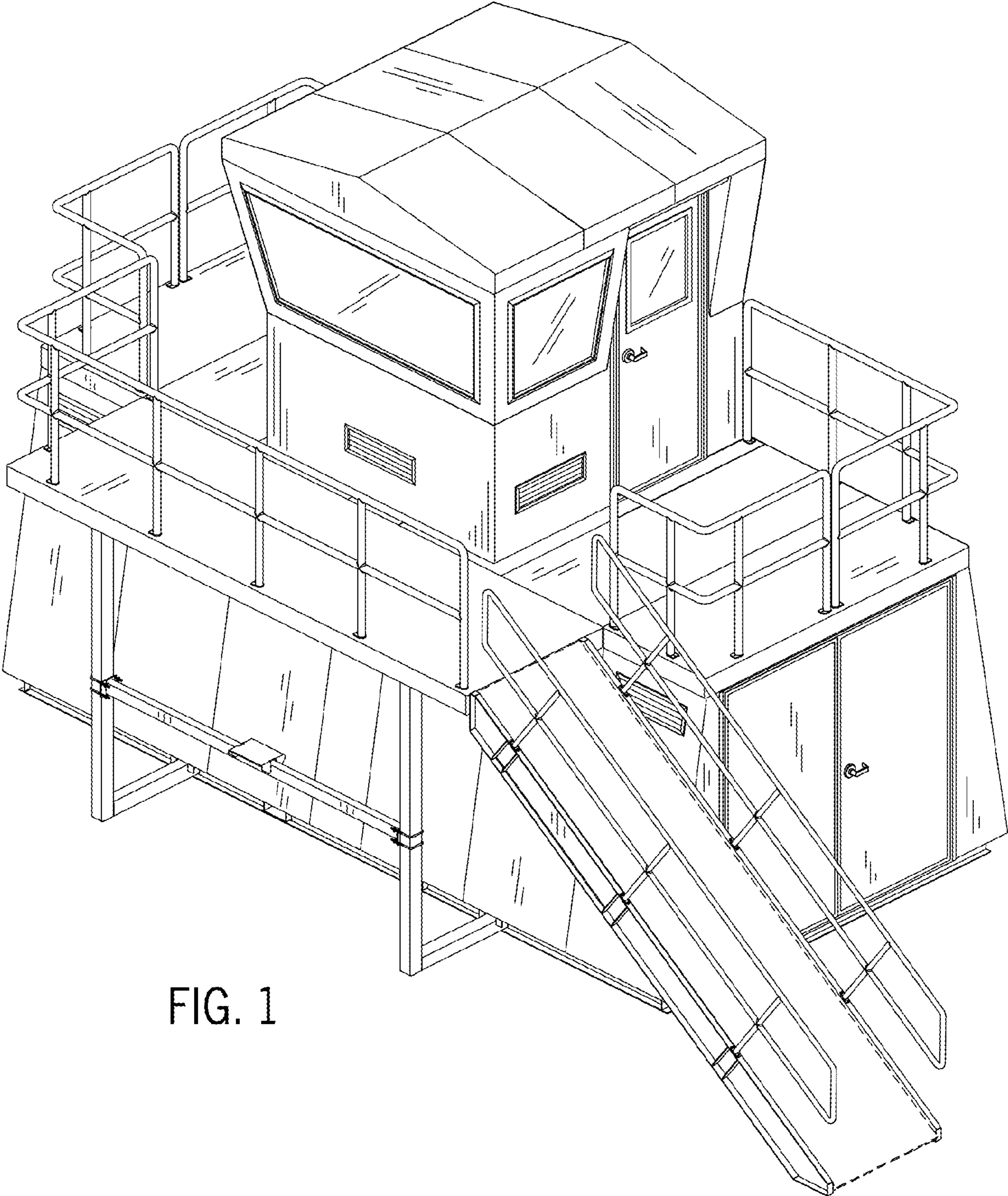


FIG. 1

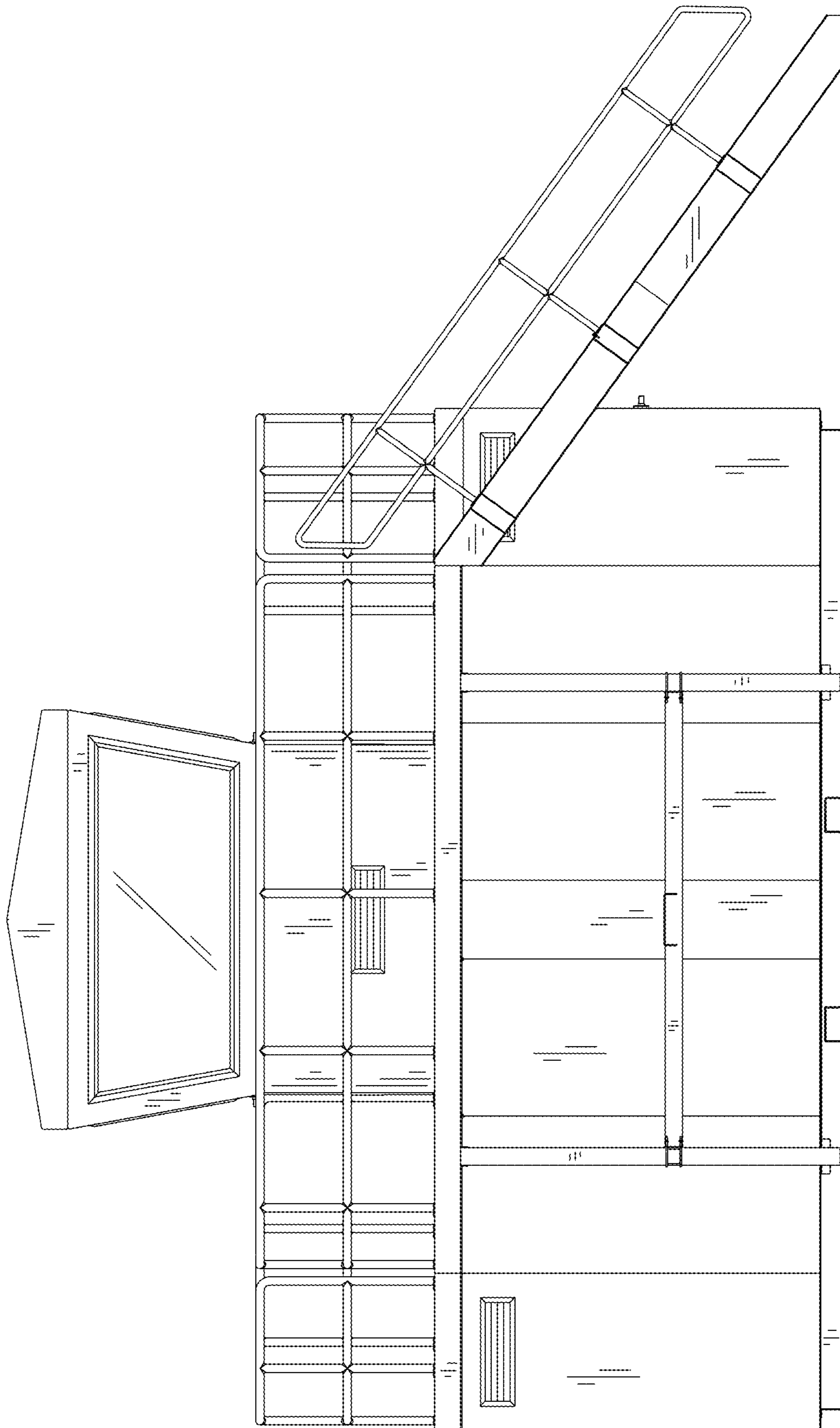


FIG. 2

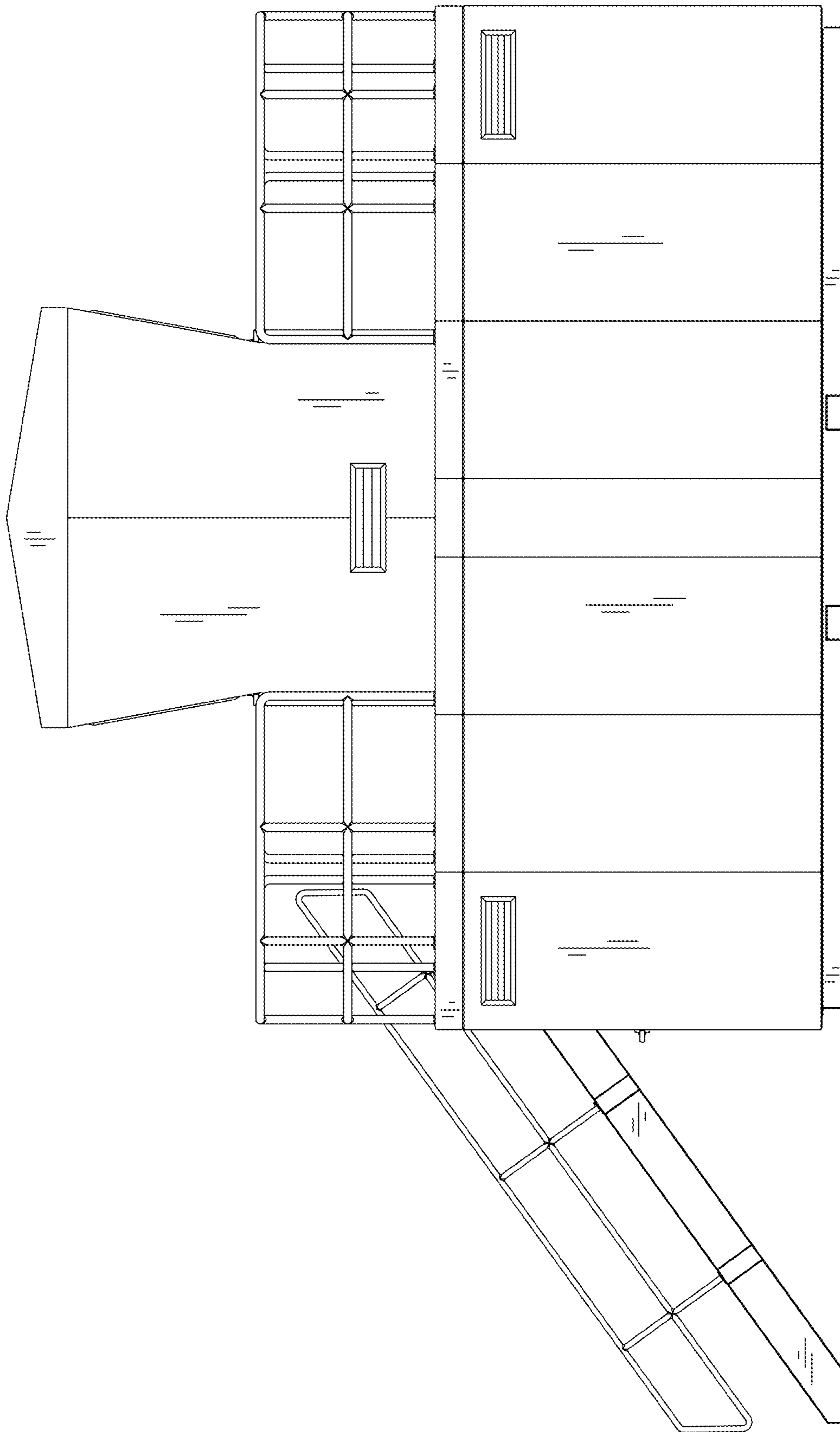


FIG. 3

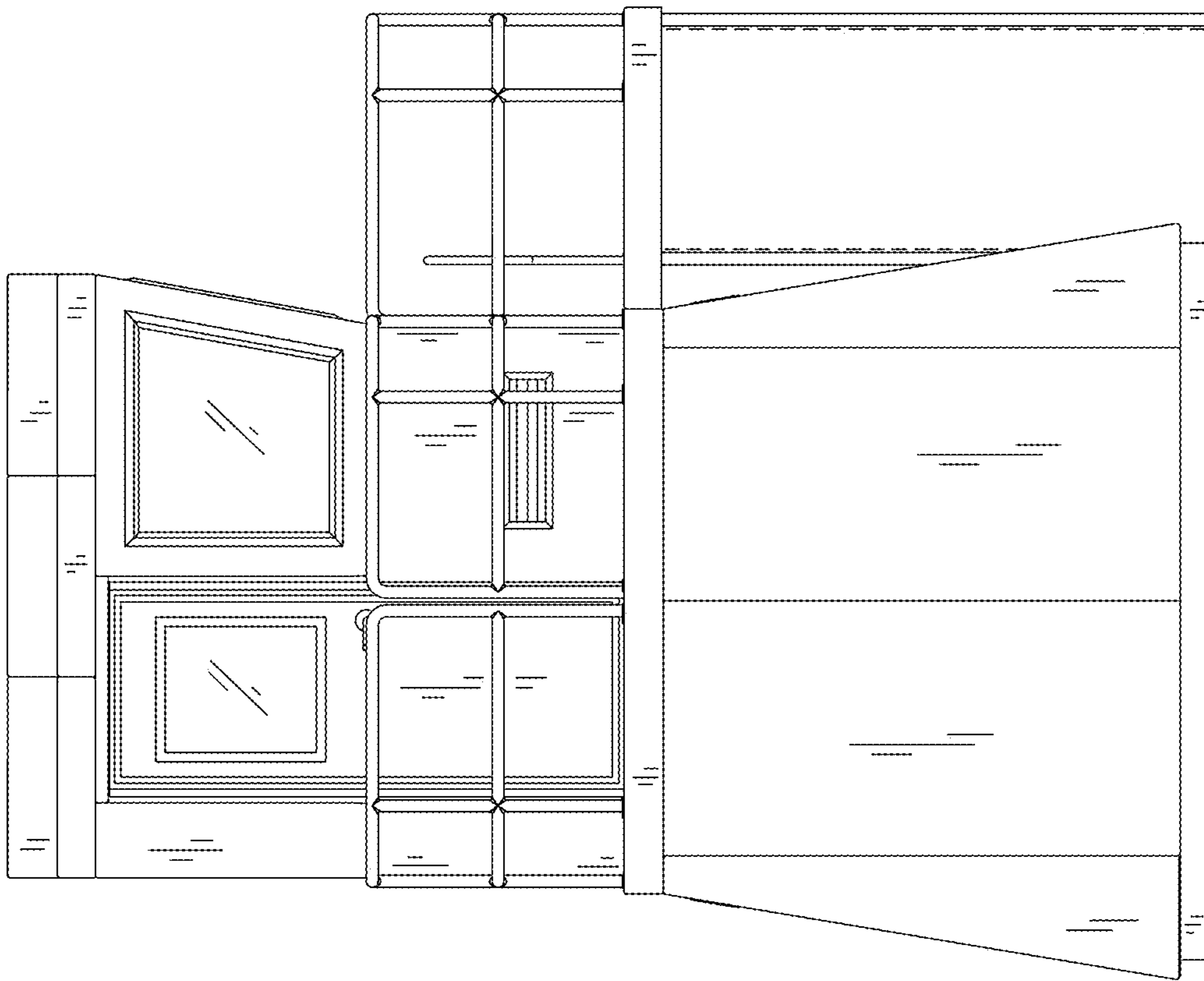


FIG. 5

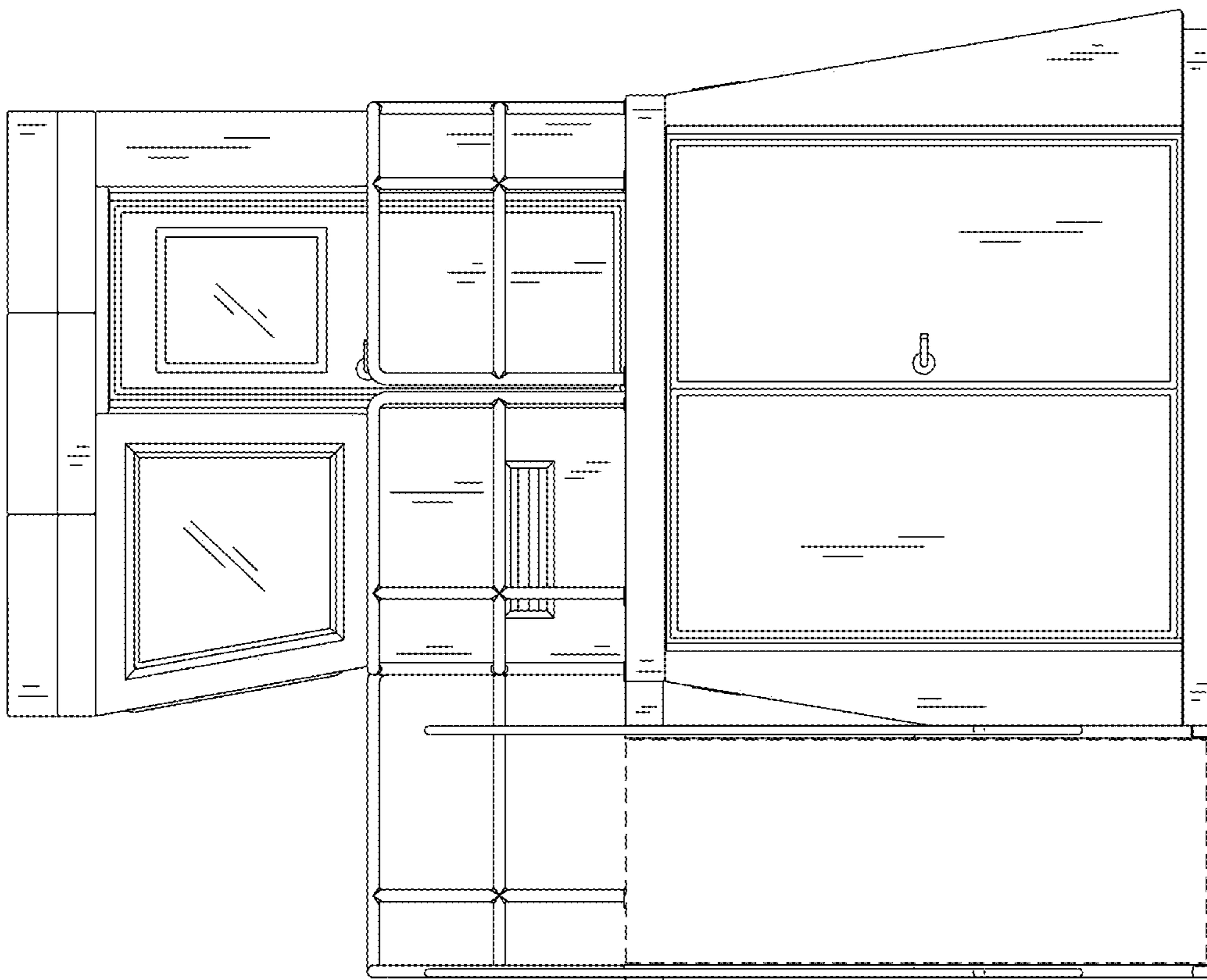


FIG. 4

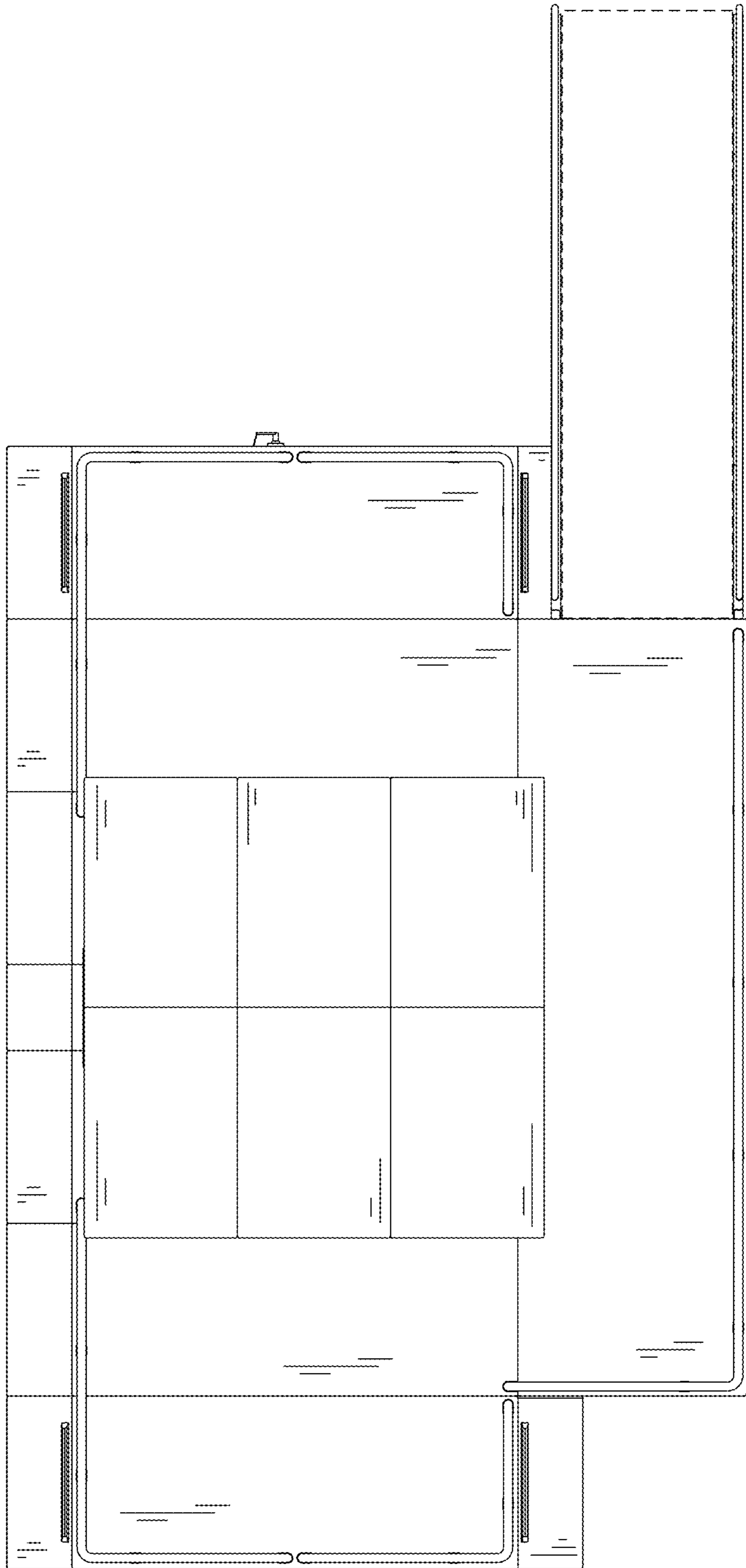


FIG. 6

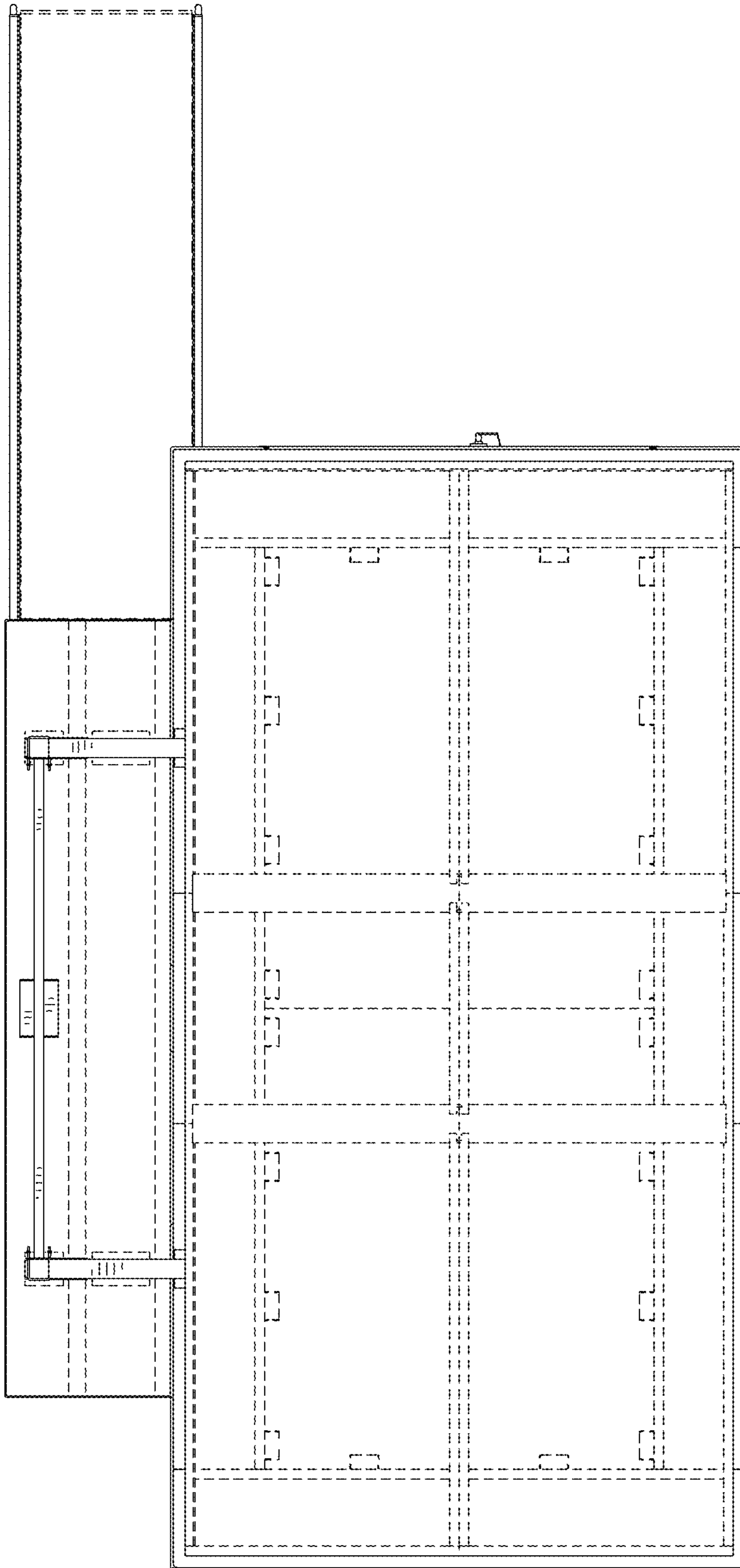


FIG. 7

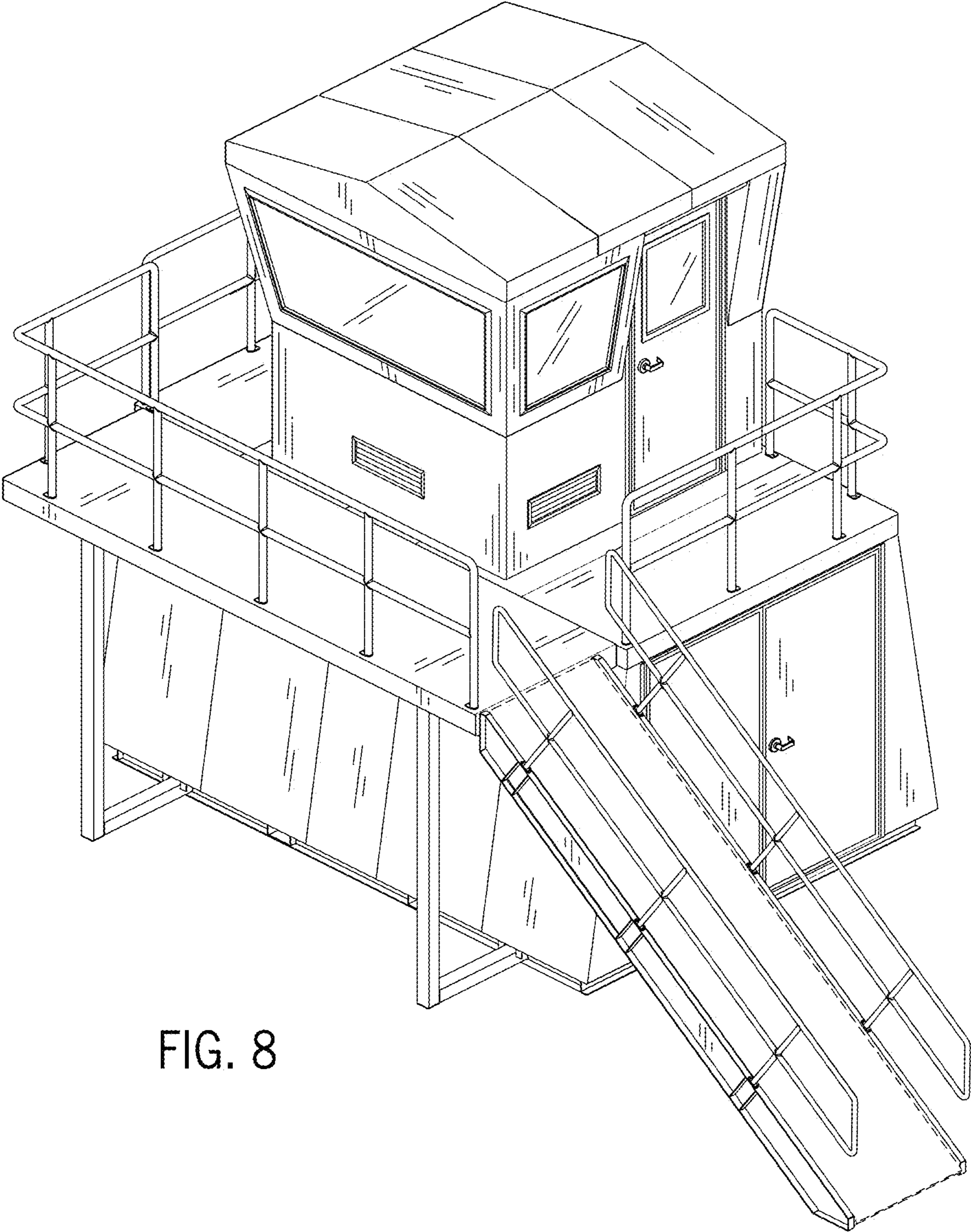


FIG. 8

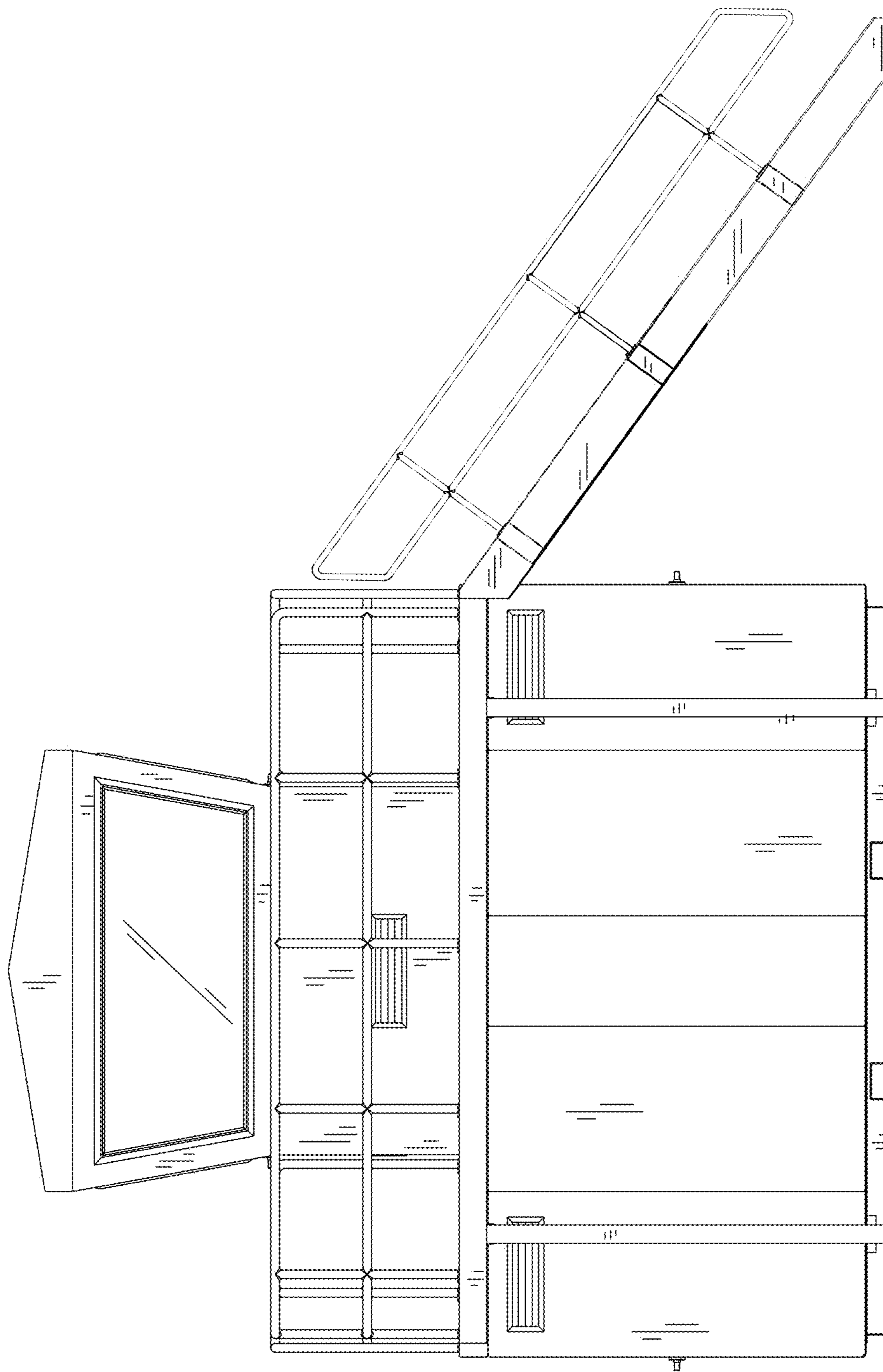


FIG. 9

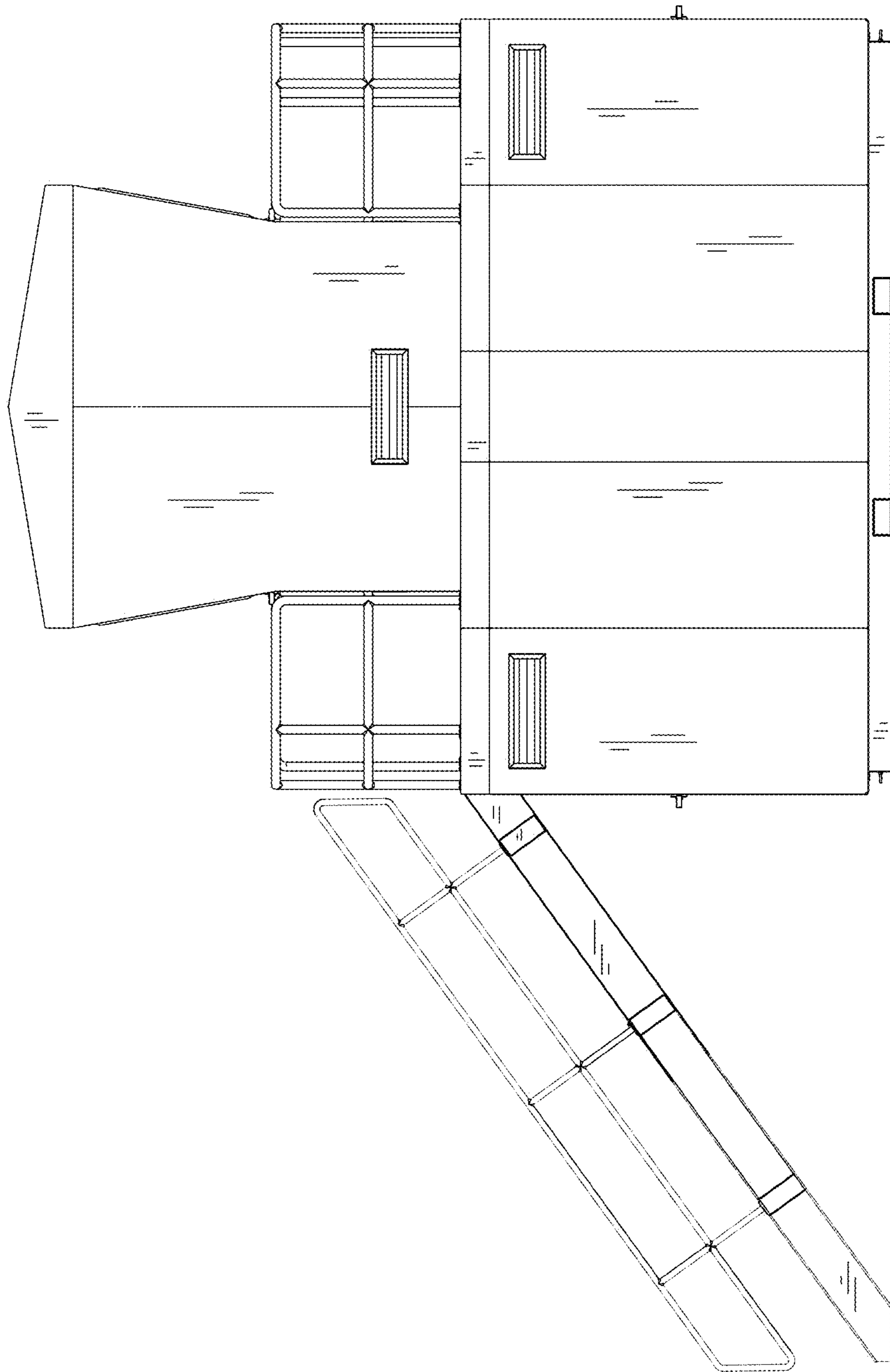


FIG. 10

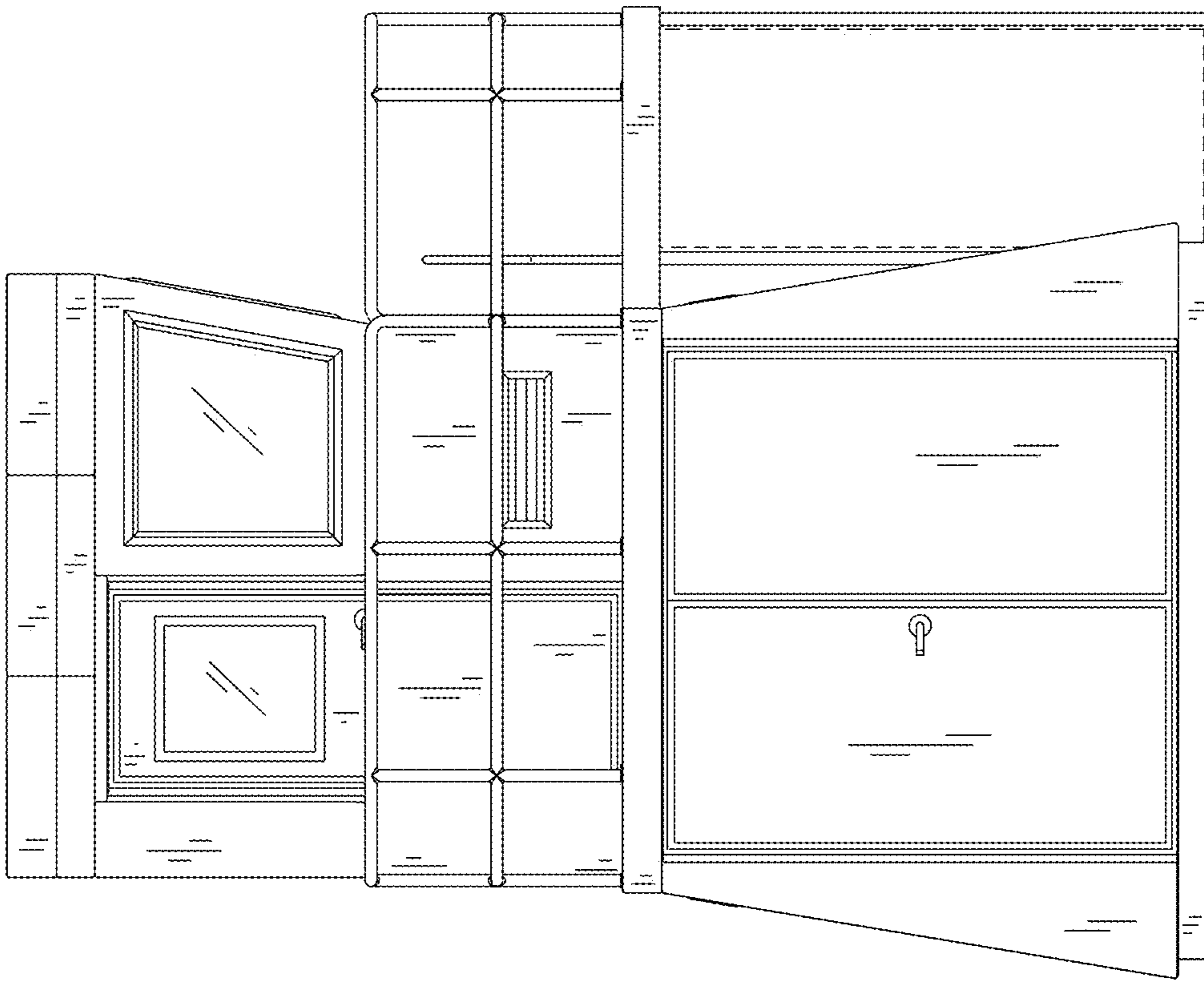


FIG. 12

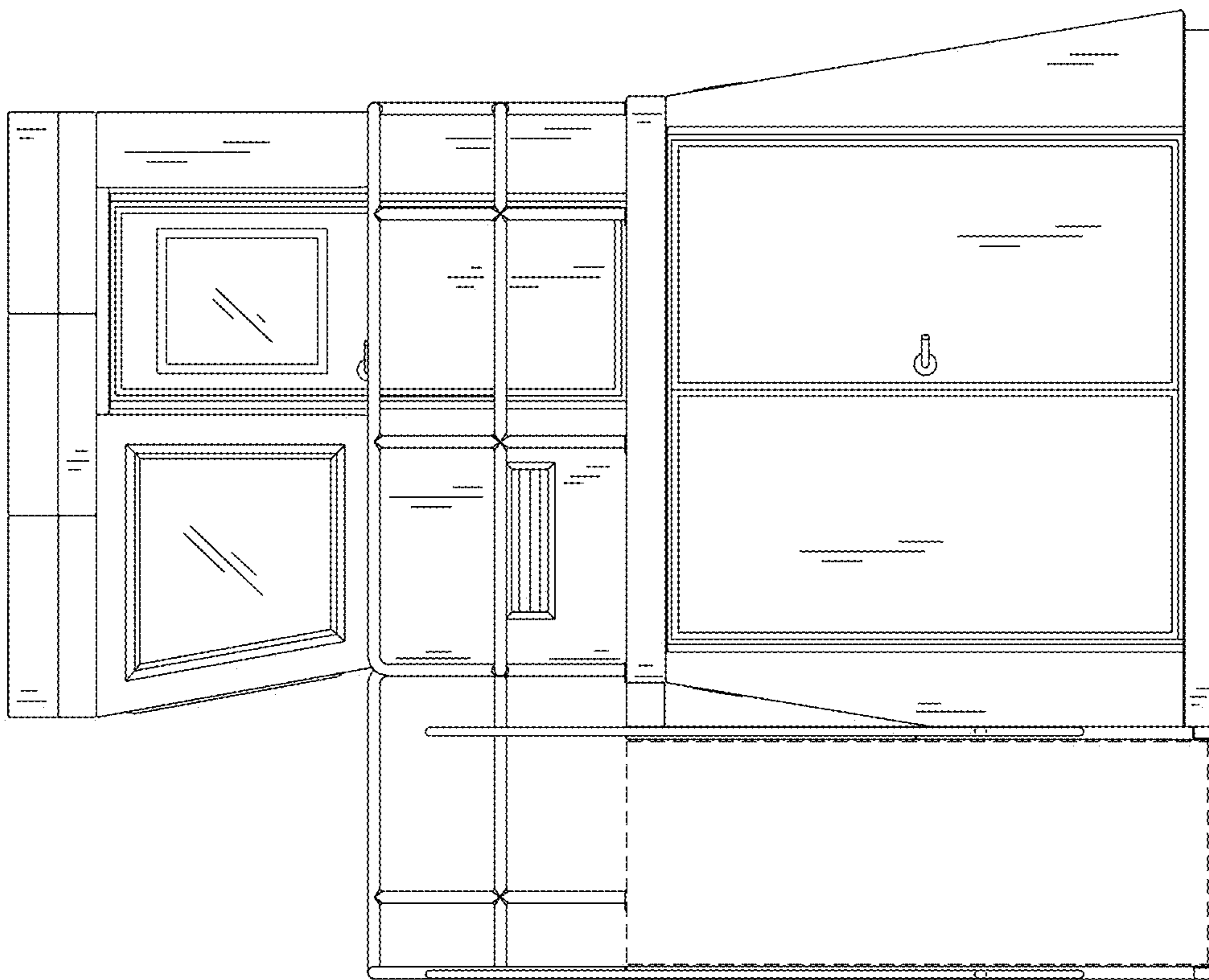


FIG. 11

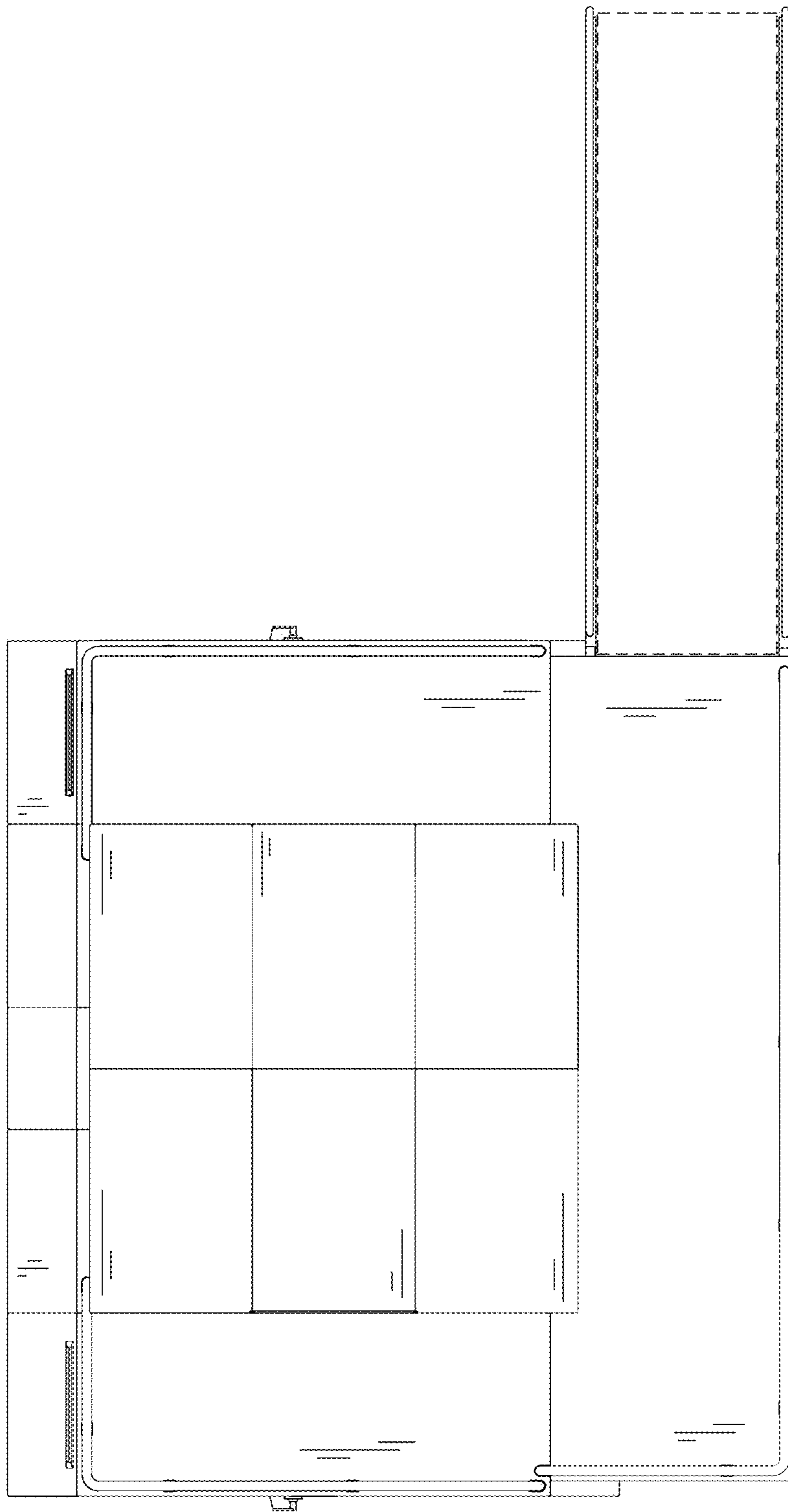


FIG. 13

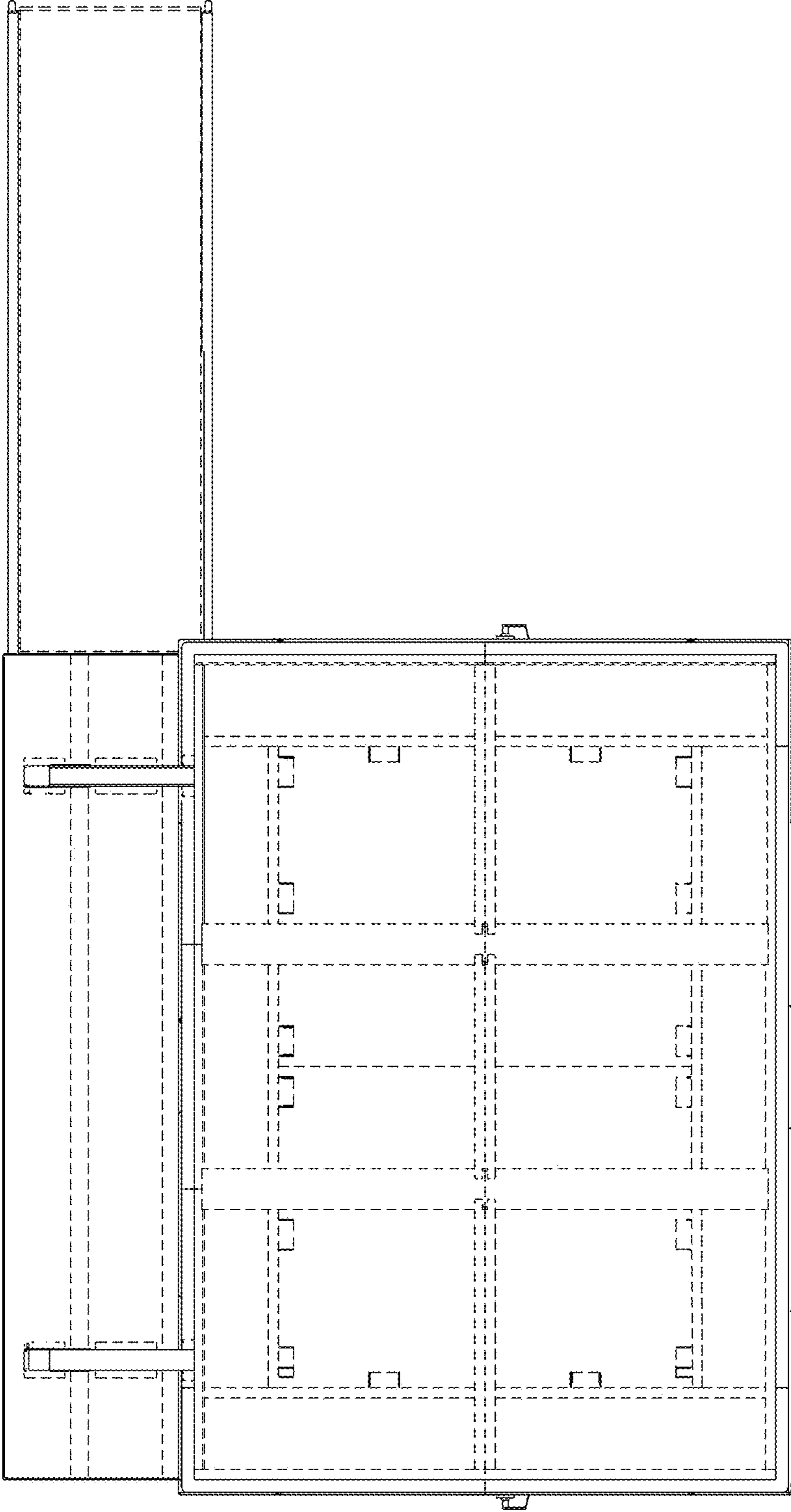


FIG. 14